



US00D889818S

(12) **United States Design Patent**
Akin et al.

(10) **Patent No.: US D889,818 S**
(45) **Date of Patent: ** Jul. 14, 2020**

(54) **UMBRELLA WITH SOLAR PANELS**

(71) Applicant: **ZON**, Manhattan Beach, CA (US)

(72) Inventors: **Sarah Akin**, Manhattan Beach, CA (US); **David Johnson**, San Francisco, CA (US)

(73) Assignee: **ZON**, Redondo Beach, CA (US)

(**) Term: **15 Years**

(21) Appl. No.: **29/621,680**

(22) Filed: **Oct. 10, 2017**

Related U.S. Application Data

(62) Division of application No. 29/502,277, filed on Sep. 12, 2014, now Pat. No. Des. 799,199.

(51) **LOC (12) Cl.** **03-03**

(52) **U.S. Cl.**
USPC **D3/10**

(58) **Field of Classification Search**
USPC D3/5, 6, 10; D13/102, 118, 199;
D21/839
CPC A45B 11/00; A45B 17/00; A45B 19/00;
A45B 23/00; A45B 2023/0012; A45B
25/00; A45B 2025/003; A45B 2200/10;
A45B 2200/1009; A45B 2200/1027; H02J
7/0047; H02J 7/35

See application file for complete search history.

(56) **References Cited**

U.S. PATENT DOCUMENTS

1,397,789 A	11/1921	Stonestreet
D151,655 S	11/1948	Preaus
D248,042 S	5/1978	Duelette
4,193,389 A	3/1980	Ku
4,527,721 A	7/1985	Goldstein
D306,093 S	2/1990	Lerch

5,143,107 A *	9/1992	Kelley	A45B 3/00 135/16
D336,982 S	7/1993	Johnson	
D341,831 S *	11/1993	Mozdzanowski	D14/168
5,273,062 A *	12/1993	Mozdzanowski	A45B 3/00 135/16
5,318,055 A *	6/1994	Olaniyan	A45B 11/02 135/16
5,349,975 A *	9/1994	Valdner	A45B 3/00 135/16
D373,465 S	9/1996	Chipman	
D373,467 S	9/1996	Chipman	
D373,468 S	9/1996	Dubinsky	
D396,741 S	8/1998	Vitali et al.	
5,868,152 A *	2/1999	Brown	A45B 3/00 135/19
D443,409 S	6/2001	Pilz et al.	
6,830,058 B2	12/2004	Li	
6,837,255 B2 *	1/2005	Bunch	A45B 3/04 135/16
6,923,058 B2	8/2005	Nieman et al.	
6,923,194 B2 *	8/2005	Li	A45B 3/00 135/16

(Continued)

Primary Examiner — Steven J Czyn

(74) *Attorney, Agent, or Firm* — Aka Chan LLP

(57) **CLAIM**

The ornamental design for an umbrella with solar panels, as shown and described.

DESCRIPTION

FIG. 1 is a perspective view of an umbrella with solar panels.

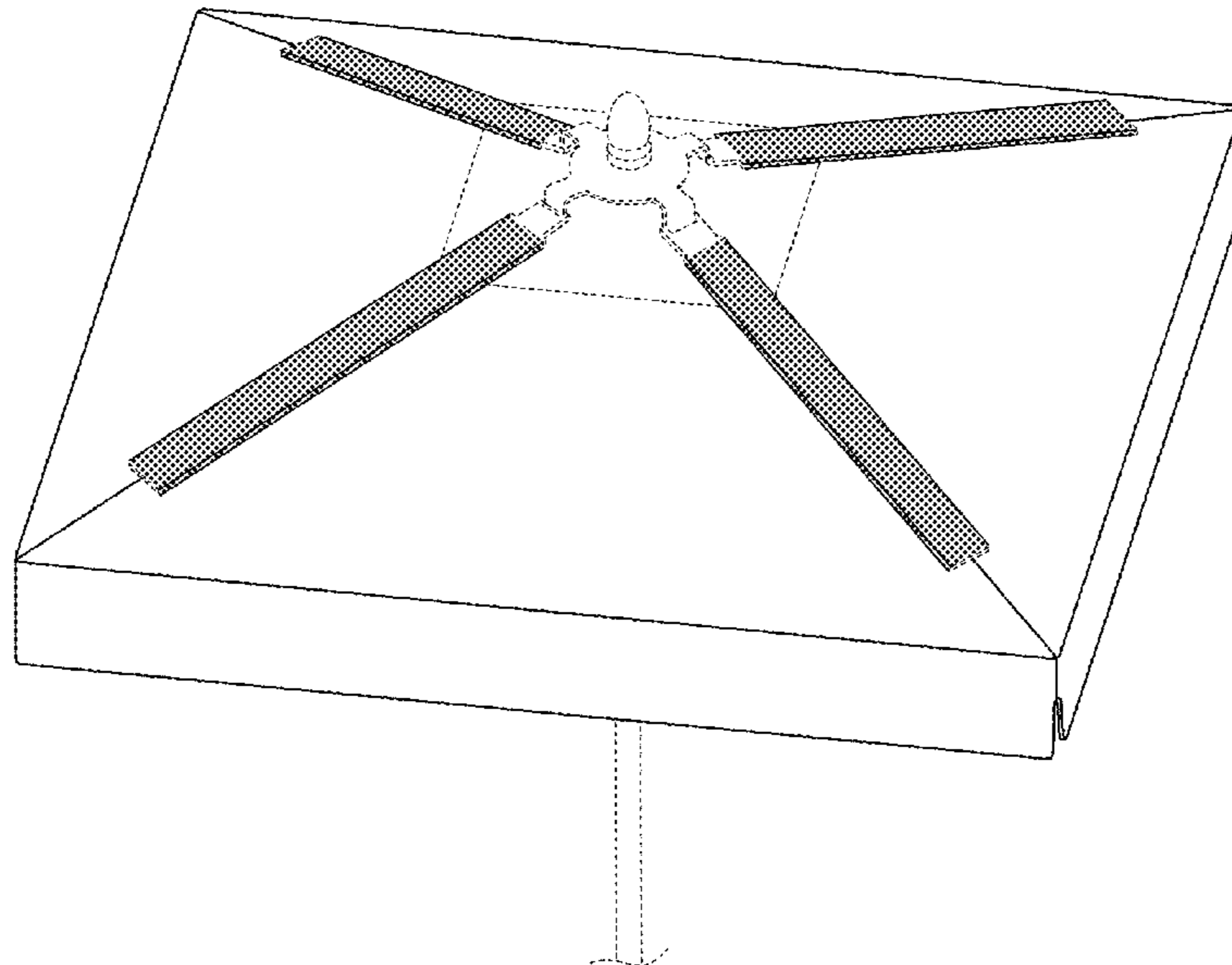
FIG. 2 is a top view thereof.

FIG. 3 is a first side view thereof; and,

FIG. 4 is a second side view thereof.

The gray shading in the figures is surface shading that indicates claimed subject matter. The broken lines and unshaded surfaces form no part of the claimed design.

1 Claim, 4 Drawing Sheets



(56)

References Cited

U.S. PATENT DOCUMENTS

7,000,624 B2 *	2/2006	Chang	A45B 3/04 135/16	D758,298 S *	6/2016	Akin	D13/102
7,013,903 B2	3/2006	Li		D763,787 S	8/2016	Parilla et al.	
D530,269 S	10/2006	Fowler et al.		D769,808 S	10/2016	Derkacs et al.	
D561,460 S	2/2008	Peterson		D770,756 S *	11/2016	Akin	D3/5
7,562,667 B2 *	7/2009	Li	A45B 3/04 135/21	D770,757 S *	11/2016	Akin	D3/10
D600,200 S *	9/2009	Dimov	D13/102	D772,802 S	11/2016	Haas et al.	
7,661,836 B1 *	2/2010	Naranjo	A45B 3/04 362/102	D779,810 S *	2/2017	Akin	D13/102
D668,443 S *	10/2012	Sims, II	D3/5	9,706,834 B1 *	7/2017	Taylor	A45B 23/00
8,360,079 B2	1/2013	Li		D799,199 S *	10/2017	Akin	D3/10
D680,949 S *	4/2013	Swatek	D13/102	9,820,540 B2 *	11/2017	Pan	A45B 25/00
D681,548 S	5/2013	Zhang et al.		D813,154 S *	3/2018	Akin	D13/102
8,497,656 B2 *	7/2013	Portis, Jr.	A45B 3/00 136/243	D818,258 S *	5/2018	Akin	D3/5
D688,621 S	8/2013	Mozzardi et al.		10,010,143 B2 *	7/2018	Kong	A45B 3/04
8,561,625 B2 *	10/2013	Chen	A45B 11/00 135/20.3	10,045,613 B2 *	8/2018	Wei	A47B 37/04
D693,561 S *	11/2013	Akin	D13/102	10,051,931 B2 *	8/2018	Zadie	A45B 3/04
D693,562 S *	11/2013	Akin	D13/102	10,153,656 B2 *	12/2018	Volin	H02J 7/35
D693,563 S *	11/2013	Akin	D13/102	10,159,316 B2 *	12/2018	Gharabegian	A45B 23/00
D702,037 S *	4/2014	Akin	D13/102	D840,671 S *	2/2019	Akin	D3/5
8,695,614 B2 *	4/2014	Chaimovski	A45B 23/00 135/16	10,250,817 B2 *	4/2019	Gharabegian	H04N 5/247
D703,939 S *	5/2014	Akin	D13/102	D848,140 S *	5/2019	Akin	D3/10
D706,026 S *	6/2014	Akin	D13/102	D850,093 S *	6/2019	Akin	D3/5
D727,253 S *	4/2015	Presley	D13/102	10,306,959 B2 *	6/2019	Rosedale	A45B 23/00
D728,466 S *	5/2015	Ehrsam	D13/102	2003/0000559 A1	1/2003	Wu	
9,088,181 B2 *	7/2015	Akin	A45B 23/00	2004/0228118 A1	11/2004	Peterson	
9,125,462 B2 *	9/2015	Akin	B23P 15/26	2005/0121063 A1	6/2005	Chang	
D748,905 S *	2/2016	Akin	D13/102	2005/0161067 A1	7/2005	Hollins	
D749,313 S *	2/2016	Akin	D13/102	2007/0283987 A1	12/2007	Reyes et al.	
D758,062 S *	6/2016	Akin	D13/102	2009/0058354 A1	3/2009	Harrison	
				2010/0154786 A1	6/2010	Li	
				2010/0180922 A1	7/2010	McKenna	
				2011/0265694 A1	11/2011	Portis et al.	
				2014/0009103 A1	1/2014	Nita	
				2014/0028242 A1 *	1/2014	Akin	A45B 23/00 320/101
				2014/0144490 A1	5/2014	Richardson	
				2015/0216273 A1 *	8/2015	Akin	B23P 15/26 135/16

* cited by examiner

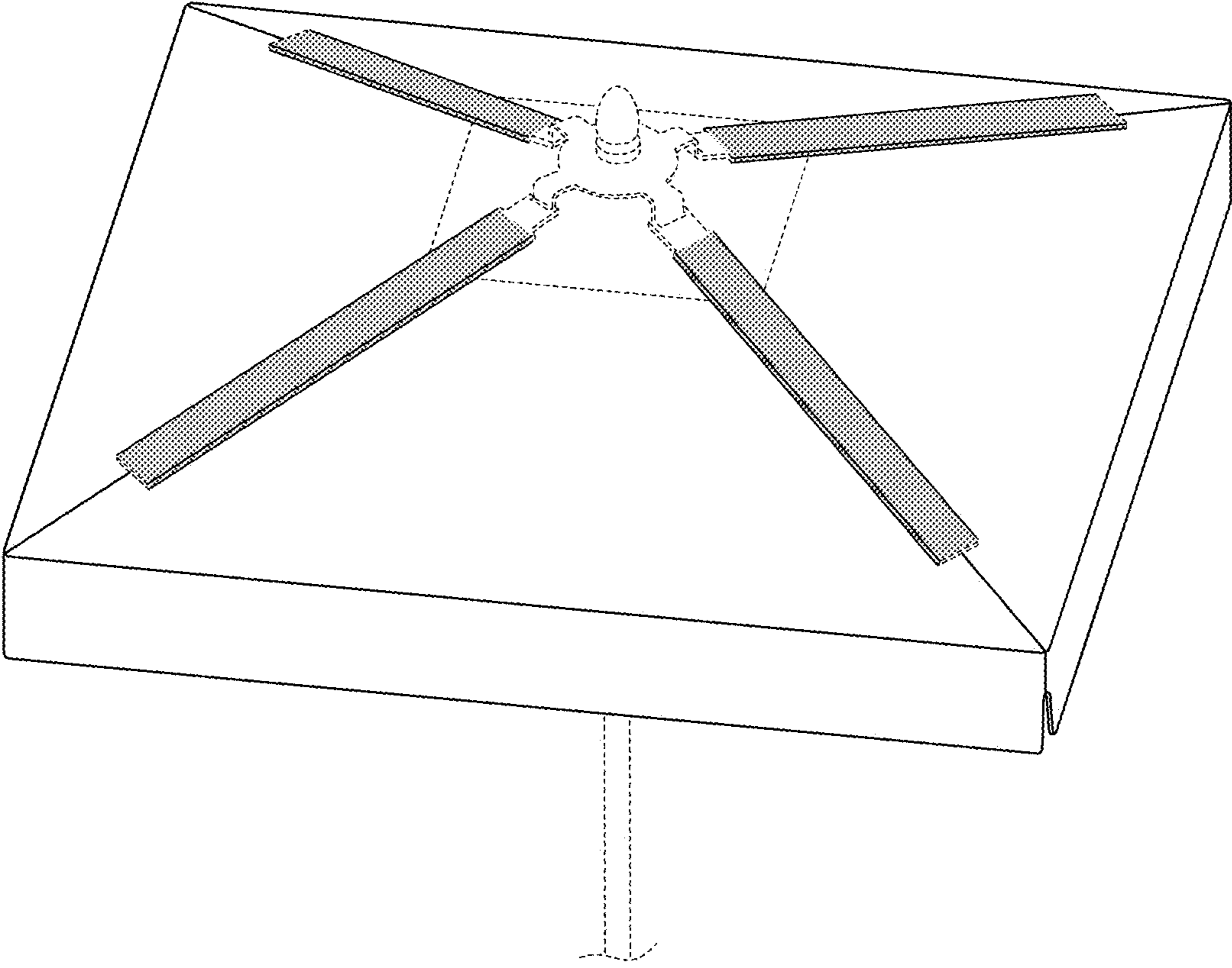


FIG. 1

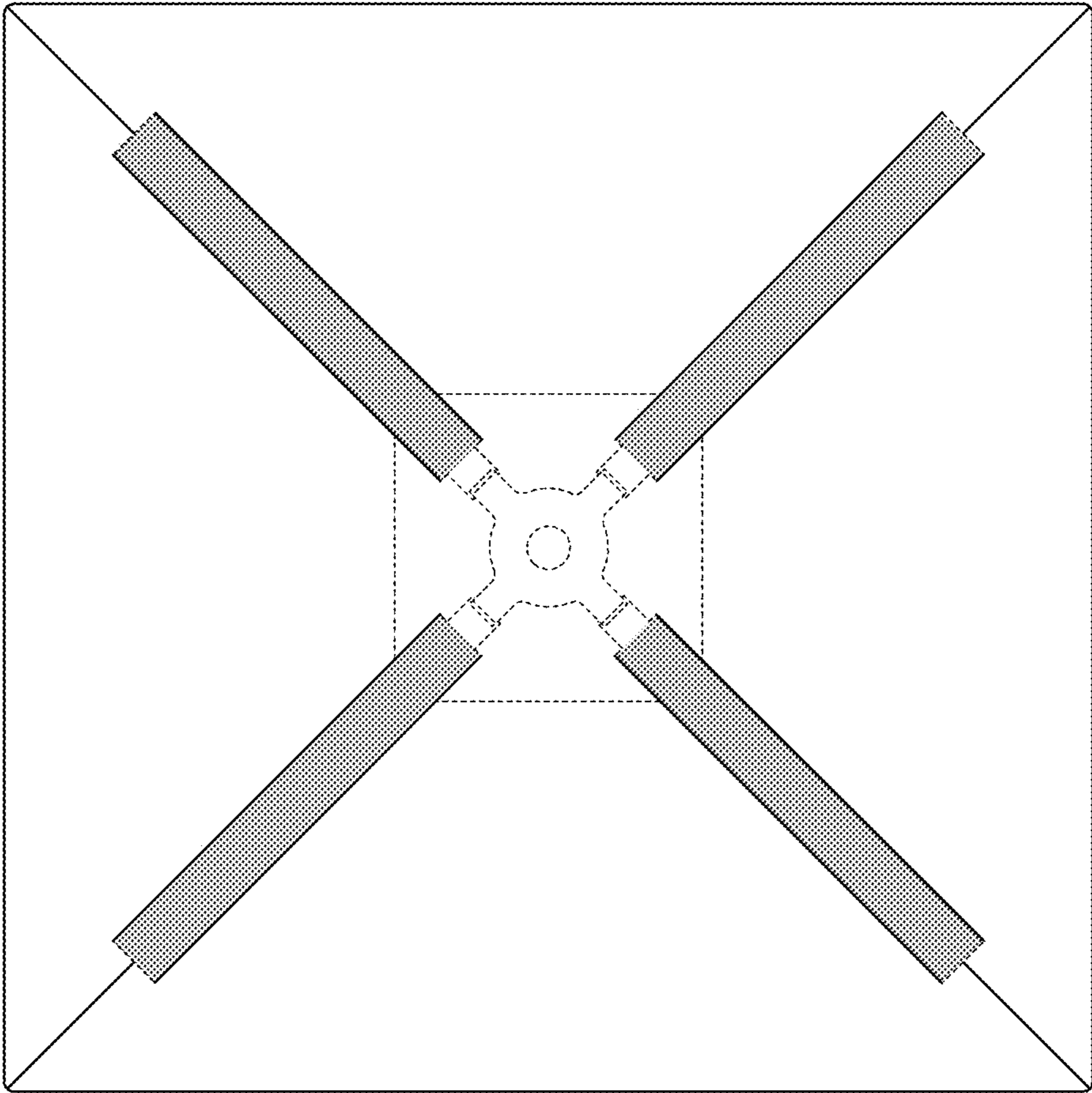


FIG. 2

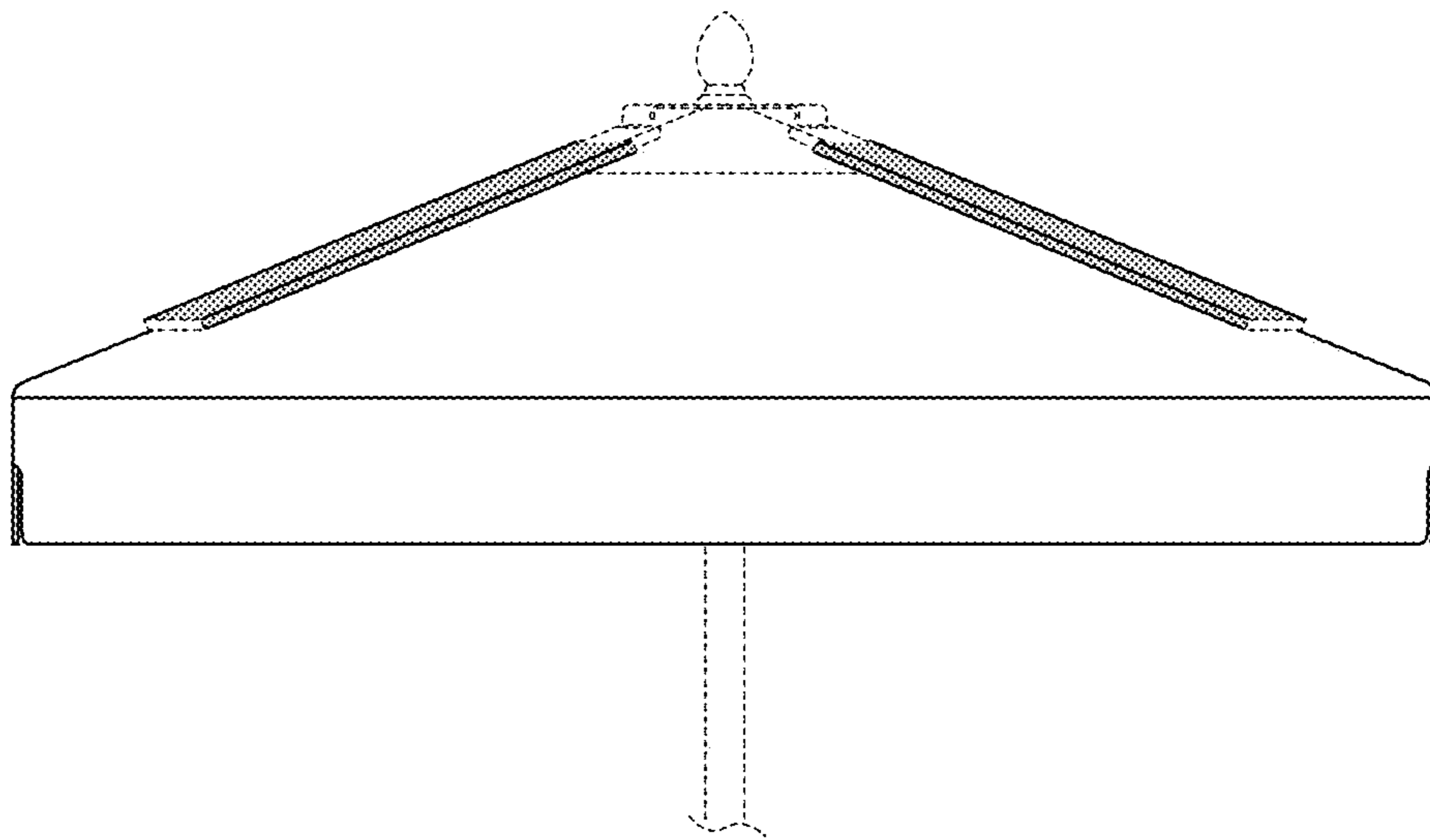


FIG. 3

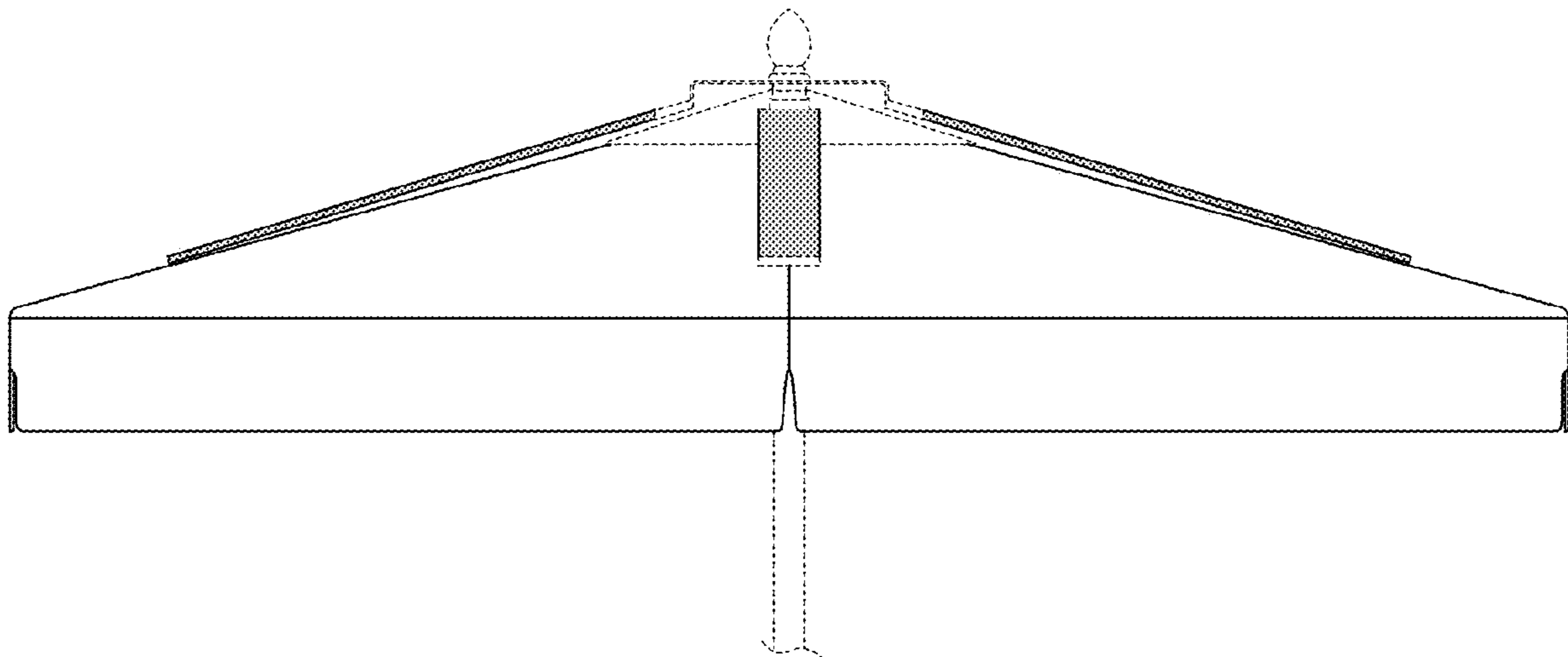


FIG. 4