



US00D889787S

(12) **United States Design Patent**
McKenzie

(10) **Patent No.:** **US D889,787 S**
(45) **Date of Patent:** **** Jul. 14, 2020**

- (54) **SHOE**
- (71) Applicant: **PUMA SE**, Herzogenaurach (DE)
- (72) Inventor: **Carly McKenzie**, Nuremberg (DE)
- (73) Assignee: **PUMA SE**, Herzogenaurach (DE)
- (**) Term: **15 Years**
- (21) Appl. No.: **29/649,404**
- (22) Filed: **May 30, 2018**

- D226,883 S 5/1973 Babicka et al.
- D226,885 S 5/1973 McBarron
- D236,559 S 9/1975 Senter
- D236,560 S 9/1975 Senter
- D237,425 S 11/1975 Askew
- D237,427 S 11/1975 Thornberry
- D238,626 S 2/1976 Senter
- D238,983 S 3/1976 Senter
- D239,478 S 4/1976 Senter
- D239,479 S 4/1976 Senter
- D239,983 S 5/1976 Senter
- D240,470 S 7/1976 Ford
- D242,401 S 11/1976 Wunsch
- D243,421 S 2/1977 Cohen

(Continued)

(30) **Foreign Application Priority Data**

Apr. 13, 2018 (EM) 005233111

(51) **LOC (12) Cl.** **02-04**

(52) **U.S. Cl.**
USPC **D2/947; D2/960**

(58) **Field of Classification Search**
 USPC D2/902, 906, 908, 916, 918, 925,
 D2/946-962, 977; 36/3 B, 22 R, 24.5,
 36/25 R, 28, 32 R, 34 R, 59 C, 67 A, 103
 CPC A43B 13/00; A43B 13/02; A43B 13/023;
 A43B 13/026; A43B 13/04; A43B 13/08;
 A43B 13/10; A43B 13/12; A43B 13/14;
 A43B 13/141; A43B 13/143; A43B
 13/16; A43B 13/18; A43B 13/181; A43B
 13/187; A43B 13/189; A43B 13/20; A43B
 13/22; A43B 13/223; A43B 13/24; A43B
 13/28; A43B 13/30; A43B 13/34; A43B
 13/36

See application file for complete search history.

(56) **References Cited**

U.S. PATENT DOCUMENTS

- D116,635 S 9/1939 Stuart
- D133,176 S 7/1942 Gregg
- 2,405,498 A 8/1946 Gregg
- D173,700 S 12/1954 Hosker et al.

OTHER PUBLICATIONS

“Ashish x Underground,” Dazed, dated Jun. 10, 2011, accessed on Mar. 12, 2019, <<http://www.dazeddigital.com/fashion/article/10575/1/ashish-x-underground>>, 7 pages.

(Continued)

Primary Examiner — T Chase Nelson

(74) *Attorney, Agent, or Firm* — Quarles & Brady LLP

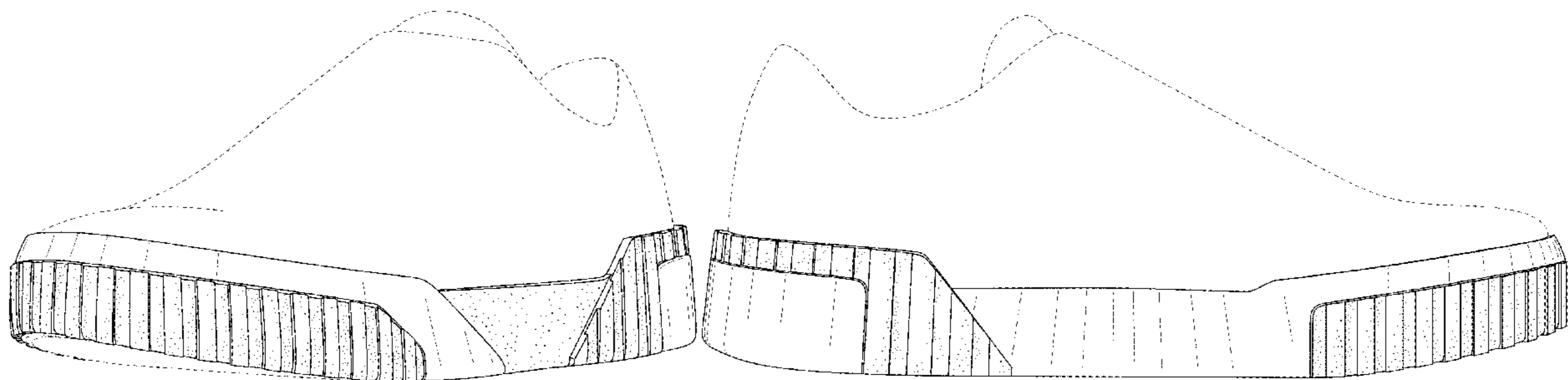
(57) **CLAIM**

The ornamental design for a shoe, as shown and described.

DESCRIPTION

FIG. 1 is a left, front perspective view of the shoe showing my new design;
 FIG. 2 is a front elevational view thereof;
 FIG. 3 is a rear elevational view thereof;
 FIG. 4 is a right side elevational view thereof;
 FIG. 5 is a left side elevational view thereof;
 FIG. 6 is a top plan view thereof; and,
 FIG. 7 is a bottom plan view thereof.
 Any broken lines in the drawings indicate portions which form no part of the claimed design.

1 Claim, 6 Drawing Sheets



(56)

References Cited

U.S. PATENT DOCUMENTS

D245,211 S	8/1977	Krome	
D249,748 S	10/1978	Kitamura	
4,137,653 A	2/1979	Famolare, Jr.	
D265,015 S	6/1982	Higgins	
D278,093 S	3/1985	Ueda	
D281,457 S	11/1985	Po	
D297,185 S	8/1988	Berzak	
4,890,398 A *	1/1990	Thomasson	A43B 13/14 36/114
D315,440 S	3/1991	Hegy	
D317,076 S *	5/1991	Skinner	D2/947
D324,293 S *	3/1992	Rogers	D2/977
D329,529 S *	9/1992	Hatfield	D2/977
D331,143 S *	11/1992	McDonald	D2/977
D332,688 S	1/1993	Autry	
D338,326 S *	8/1993	Dolinsky	D2/947
D342,377 S *	12/1993	Smith	D2/955
5,488,786 A	2/1996	Ratay	
D379,861 S *	6/1997	Wunsch	D2/947
D384,806 S	10/1997	Pallera	
D387,550 S	12/1997	Ng et al.	
D396,739 S	8/1998	Pallera	
D397,851 S	9/1998	Greenberg	
D402,794 S	12/1998	Spriggs	
D410,137 S	5/1999	Kelley	
D410,962 S	6/1999	Iwahashi	
D429,061 S	8/2000	Burruano et al.	
D444,939 S	7/2001	Hamel	
D447,853 S	9/2001	Merceron	
D449,426 S	10/2001	Pollastrelli	
D459,062 S	6/2002	Pollastrelli	
D465,902 S	11/2002	Ammon et al.	
D473,041 S	4/2003	Finkelberg	
D490,232 S *	5/2004	Kuerbis	D2/972
D492,473 S	7/2004	White	
D503,028 S	3/2005	Merceron	
D516,293 S *	3/2006	Smith, III	D2/977
D544,702 S *	6/2007	Link	D2/946
D569,587 S	5/2008	James	
D571,988 S	7/2008	Dillenbeck	
D573,780 S	7/2008	Davis et al.	
D582,133 S	12/2008	Del Biondi	
D586,993 S *	2/2009	Banik	D2/951
D590,137 S	4/2009	Austin	
D593,741 S	6/2009	Vico et al.	
7,543,397 B2 *	6/2009	Kilgore	A43B 5/00 36/50.1
D595,937 S	7/2009	Morris	
D615,734 S	5/2010	Di Nucci	
D636,155 S	4/2011	Della Valle et al.	
D636,156 S	4/2011	Della Valle et al.	
D636,157 S *	4/2011	Nascimento	D2/951
D648,514 S *	11/2011	Avar	D2/946
D651,387 S	1/2012	Van Zyll De Jong et al.	
D653,842 S	2/2012	Weiss	
D659,367 S	5/2012	Hurayt	
D659,953 S	5/2012	Van Zyll De Jong et al.	
D659,972 S	5/2012	Hurayt	
D660,566 S	5/2012	Van Zyll De Jong et al.	
D662,697 S *	7/2012	Portzline	D2/946
D670,070 S	11/2012	Della Valle et al.	
D675,418 S	2/2013	Van Zyll De Jong et al.	
D677,865 S	3/2013	Van Zyll De Jong et al.	
D680,309 S	4/2013	Raysse	
D680,714 S	4/2013	Della Valle et al.	
D680,720 S	4/2013	Smith et al.	
D681,315 S	5/2013	Della Valle et al.	
D681,316 S	5/2013	Della Valle et al.	
D681,317 S	5/2013	Della Valle et al.	
D682,515 S	5/2013	Della Valle et al.	
D683,526 S *	6/2013	Day, Jr.	D2/902
D683,937 S	6/2013	Raysse	
D686,805 S *	7/2013	Day, Jr.	D2/902
D689,673 S	9/2013	Kampff	
D689,674 S	9/2013	Kampff	
D690,088 S	9/2013	Hardman	
D691,786 S	10/2013	Weitzman	
D694,498 S	12/2013	Carboy	
D699,423 S	2/2014	Della Valle et al.	
D700,419 S	3/2014	Della Valle et al.	
D701,023 S	3/2014	Della Valle et al.	
D701,373 S	3/2014	Della Valle et al.	
D702,423 S	4/2014	Della Valle et al.	
D706,524 S	6/2014	Smith et al.	
D707,938 S	7/2014	Spring	
D708,828 S *	7/2014	Avar	D2/947
D714,037 S	9/2014	Della Valle et al.	
D717,032 S	11/2014	Van Zyll De Jong et al.	
D717,535 S	11/2014	Kelley	
D718,038 S	11/2014	Kelley	
D723,785 S	3/2015	Miner	
D724,298 S *	3/2015	Zaedow	D2/951
D725,356 S	3/2015	Miner	
D729,503 S	5/2015	Carroll et al.	
D731,162 S	6/2015	Cin	
D731,761 S	6/2015	Carroll et al.	
D737,554 S	9/2015	Della Valle et al.	
D738,084 S	9/2015	Feeney	
D741,055 S *	10/2015	Avar	D2/947
D746,030 S *	12/2015	Avar	D2/947
D748,383 S	2/2016	Raysse	
D751,797 S	3/2016	Slimane	
D752,322 S	3/2016	Tomat	
D760,483 S	7/2016	Siegel	
D762,953 S	8/2016	Del Biondi et al.	
D769,586 S	10/2016	Buscemi	
D774,288 S	12/2016	Pina	
D787,789 S	5/2017	Del Biondi et al.	
D792,683 S	7/2017	Carroll et al.	
D793,676 S	8/2017	Slimane	
D796,160 S	9/2017	Guichot	
D796,796 S	9/2017	Frisoni et al.	
D796,816 S *	9/2017	Klein	D2/972
D802,266 S *	11/2017	Hardman	D2/947
D804,784 S	12/2017	Romero et al.	
D810,408 S *	2/2018	Hernandez	D2/947
D812,870 S	3/2018	Laska	
D814,155 S *	4/2018	Hernandez	D2/947
D815,424 S *	4/2018	Petrie	D2/977
D821,734 S *	7/2018	Petrie	A43B 13/14 D2/977
D825,158 S *	8/2018	Petrenka	A43B 3/00 D2/947
D827,258 S *	9/2018	Pina	D2/916
D833,126 S	11/2018	Laska	
D838,449 S *	1/2019	Michetti	D2/918
D840,649 S *	2/2019	De Biase	D2/957
D841,965 S *	3/2019	Goldman	D2/960
D843,098 S	3/2019	Natowich McPhee et al.	
D844,952 S *	4/2019	Taylor	D2/947
D846,243 S *	4/2019	Comeaux	D2/947
D846,851 S *	4/2019	Della Valle	A43B 7/1415 D2/947
D851,875 S *	6/2019	Jacobs	D2/947
D853,690 S *	7/2019	Taylor	D2/908
D854,285 S	7/2019	Chang	
D855,952 S	8/2019	Hardy	
D858,955 S *	9/2019	Bongers	D2/910
D863,742 S *	10/2019	Huard	D2/947
D872,982 S *	1/2020	Kuerbis	D2/947
D874,099 S	2/2020	Hartmann et al.	
D874,797 S	2/2020	Fongher et al.	
D877,465 S	3/2020	Hartmann et al.	
D878,019 S	3/2020	McMillan	
D879,423 S *	3/2020	Engel	D2/947
10,575,587 B2	3/2020	Guyan	
D880,131 S	4/2020	Fick et al.	
2007/0220778 A1 *	9/2007	Fusco	A43B 7/1415 36/30 R
2010/0088928 A1 *	4/2010	Sarantakos	A43B 5/08 36/103
2010/0180474 A1 *	7/2010	Clark	A43B 3/00 36/3 B

(56)

References Cited

U.S. PATENT DOCUMENTS

2010/0186255 A1* 7/2010 Avar A43B 7/141
36/10
2010/0275470 A1 11/2010 Hoffer et al.
2011/0072687 A1 3/2011 Bobbett et al.
2012/0144698 A1* 6/2012 McDowell B29D 35/146
36/45
2015/0101215 A1 4/2015 Henderson et al.
2017/0340057 A1* 11/2017 Guyan A43B 13/186

OTHER PUBLICATIONS

“Brothel Creeper,” Wikipedia, dated Jul. 17, 2016, archived on Aug. 3, 2016, accessed on Mar. 12, 2019, <https://en.wikipedia.org/wiki/Brothel_creeper>, 2 pages.

“Brothel Creepers—The Shoes that are Creeping Back into Fashion,” Huffpost, dated Sep. 2, 2011, accessed on Mar. 12, 2019, <http://www.huffingtonpost.co.uk/jane-mcfarland/brothel-creepers-theshoe_b_947277.html>, 1 page.

“Mr. Completely Shoes,” Haus of Rihanna, dated Oct. 27, 2014, archived on May 31, 2016, accessed on Mar. 12, 2019, <<http://hausofrihanna.com/mr-completely-adidas-creepy-samba-shoes/mr-completely-adidas-samba-creepers-rihanna/>>, 3 pages.

“Puma Suede Winter Gum Sneaker-Black,” Jimmy Jazz, archived on May 10, 2016, accessed on Mar. 12, 2019, <<http://www.jimmyjazz.com/mens/footwear/puma-suede-winter-gum-sneaker/360987-01>>, 2 pages.

“Rihanna Spotted in Mr. Completely Custom Nike and Adidas Creepers,” Snobette, Oct. 28, 2014, accessed on Mar. 12, 2016, <<http://thesnobette.com/2014/10/mr-completely-nike-adidas-creepers/>>, 6 pages.

Gorman, “George Cox: The origins of the Diano Brothel Creeper + Samples ordered by Malcolm McLaren in 1973,” dated Jan. 20, 2015, archived on Jul. 11, 2015, accessed on Mar. 12, 2019, <<http://www.paulgormanis.com/?p=13103>>, 8 pages.

Zolla, “Creepers,” Vogue Encyclo, archived on Mar. 22, 2015, accessed on Mar. 12, 2019, <<http://www.vogue.it/en/encyclo/fashion/c/creepers>>, 3 pages.

Astro Sala Men’s Sneakers, Puma.com, [online], [site visited Mar. 16, 2020]. <URL: https://us.puma.com/en/us/pd/astro-sala-mens-sneakers/362361.html?dwvar_362361_color=09> (Year: 2020) 1 page.

Converse Men’s Chuck Taylor Sneakers, Amazon.com, Date first listed on Amazon: Apr. 22, 2009, [online], [site visited Mar. 16, 2020]. <URL: <https://www.amazon.com/Converse-Chuck-Taylor-Star-Sneakers/dp/B0002M30VM?th=1>> (Year: 2009) 3 pages.

The Converse All Star Pro BB Goes Triple White for All-Star, SneakerNews.com, Feb. 12, 2020 by Jovani Hernandez, [online], [site visited Mar. 16, 2020]. <URL: <https://sneakernews.com/2020/02/12/converse-all-star-pro-bb-white/>> (Year: 2020) 9 pages.

PUMA Women’s Carina Sneaker, Amazon.com, Date first listed on Amazon: Feb. 16, 2019, [online], [site visited Mar. 16, 2020]. <X URL: https://www.amazon.com/PU-MA-Womens-Carina-Sneaker-Bluestone/dp/B07KX6GPGB/ref=pd_sbs_309_3/132-2524759-0679644?encoding=UTF8&pd_rd_i=B07HJR823P&pd_rd> (Year: 2019) 4 pages.

* cited by examiner

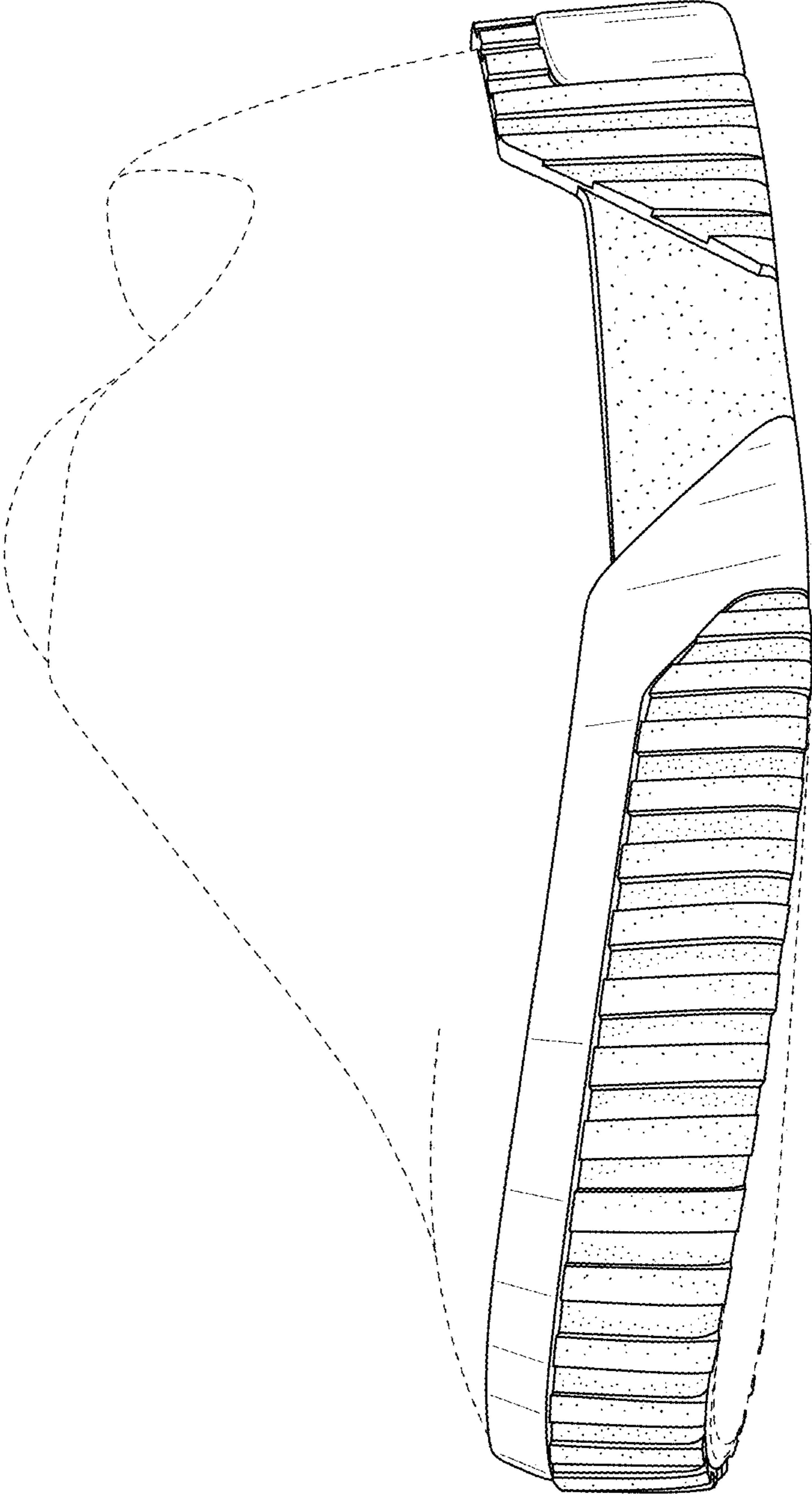


FIG. 1

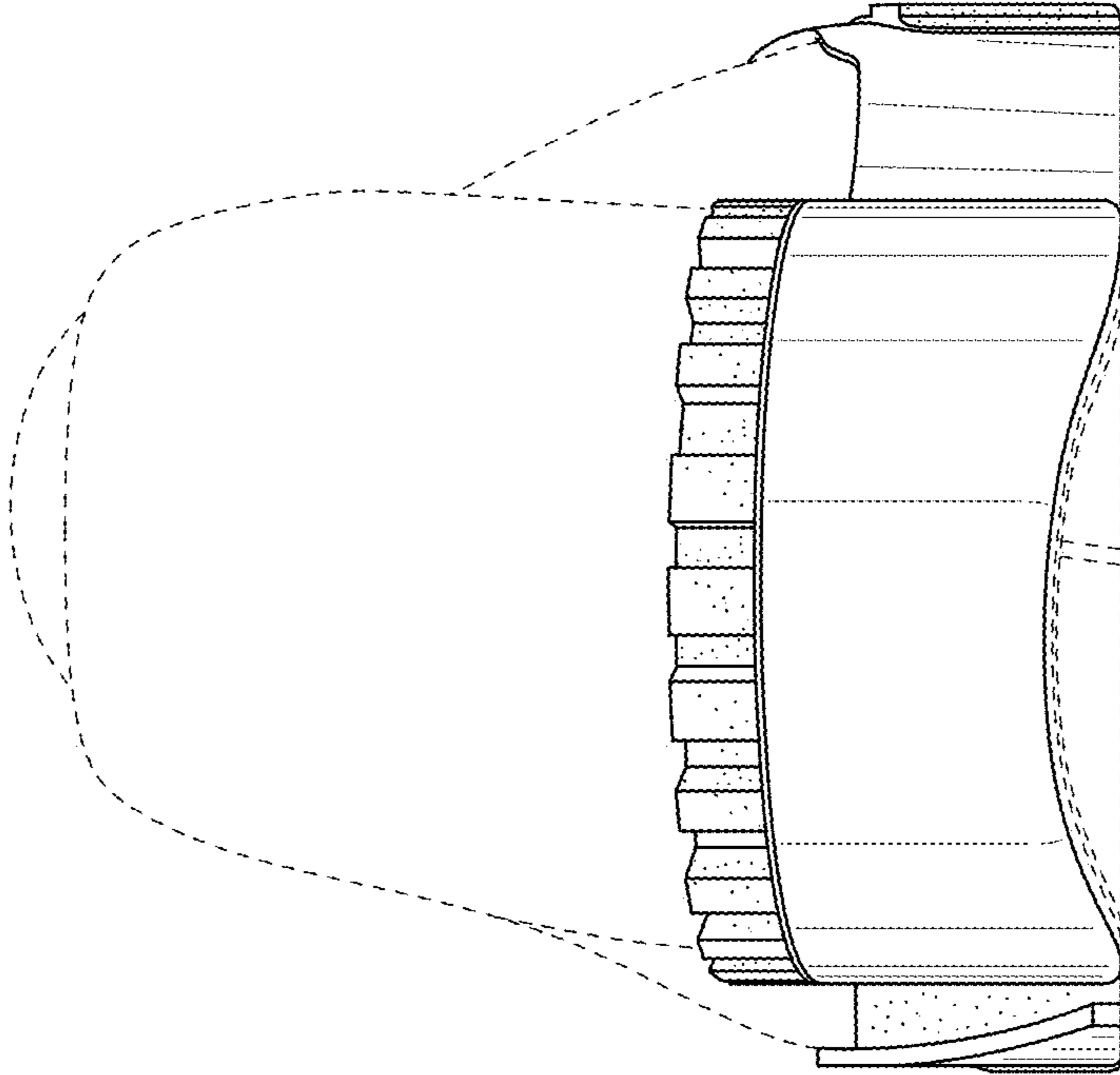


FIG. 2

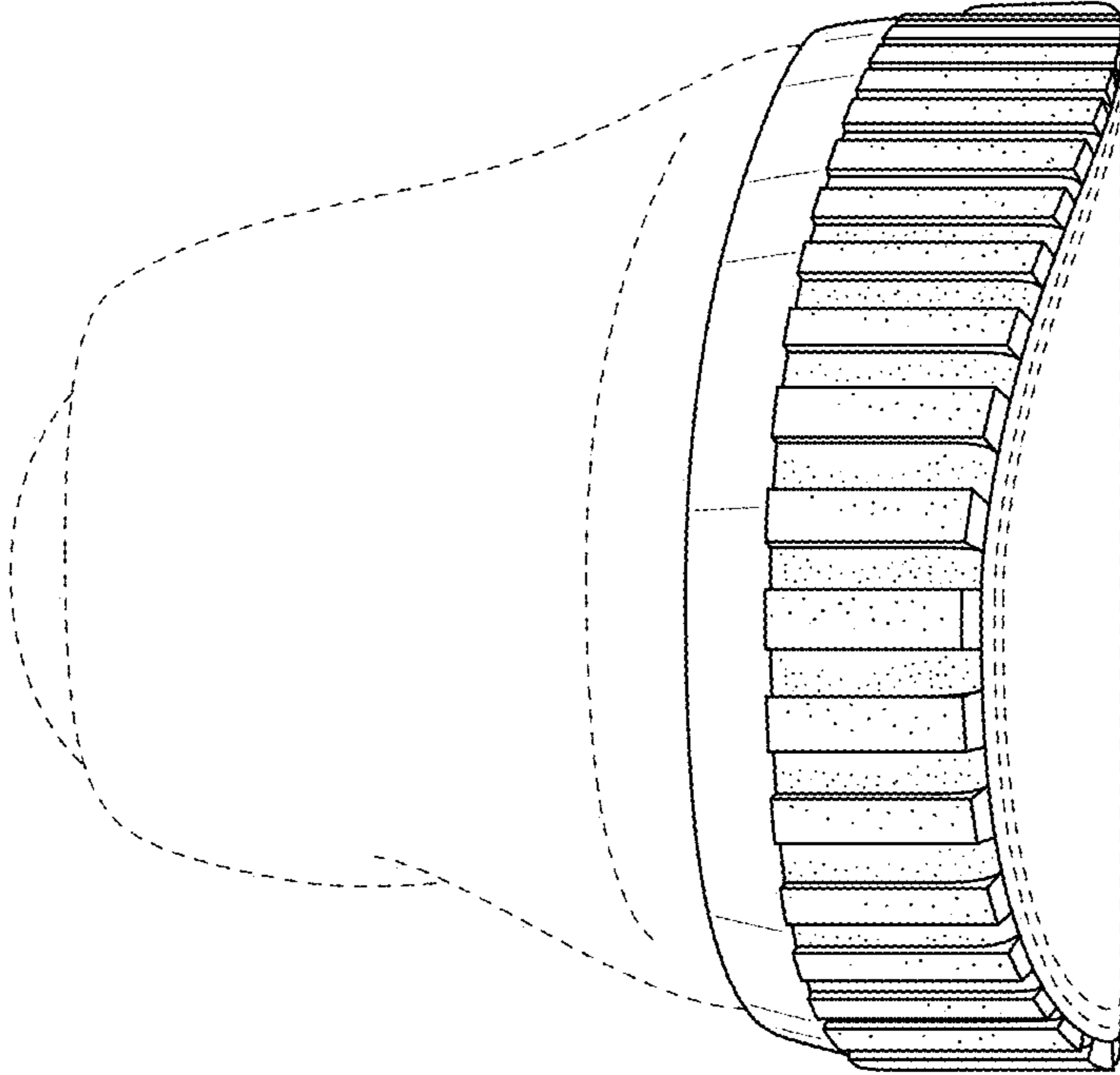


FIG. 3

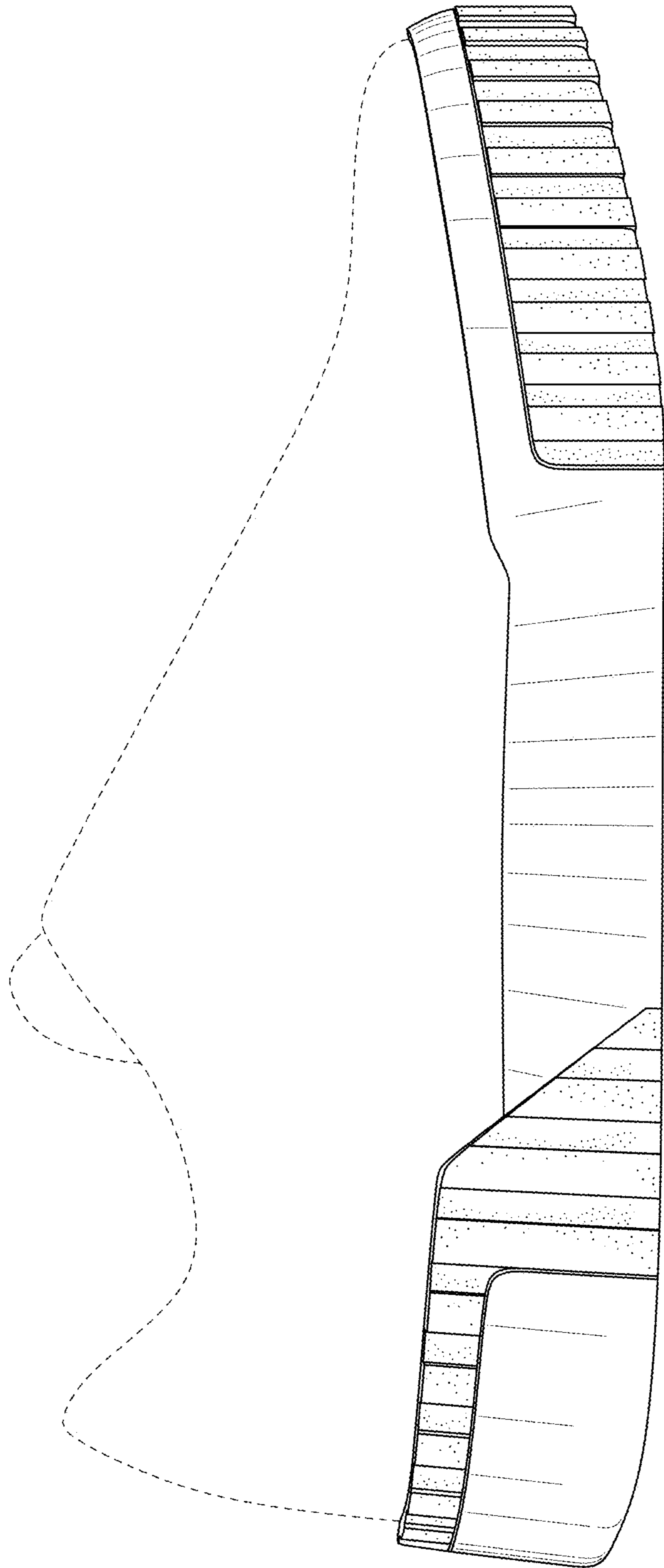


FIG. 4

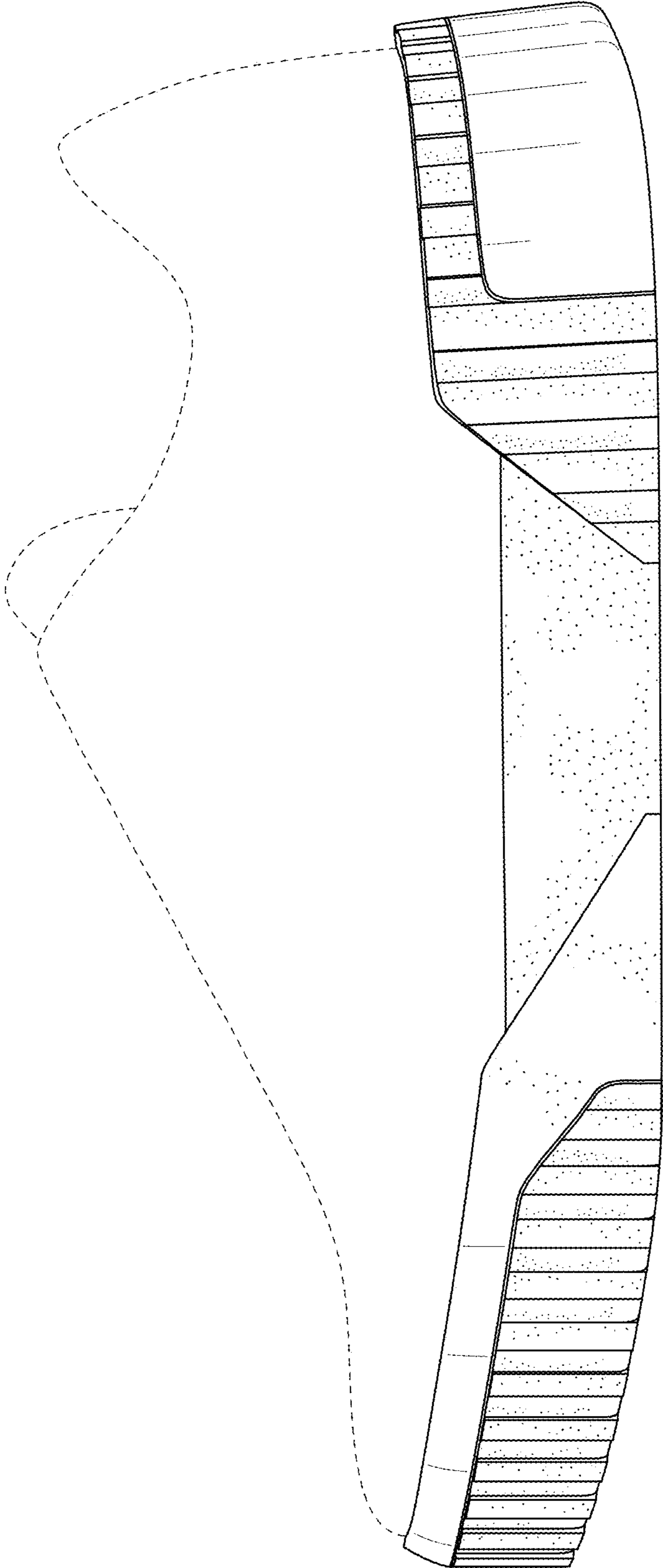


FIG. 5

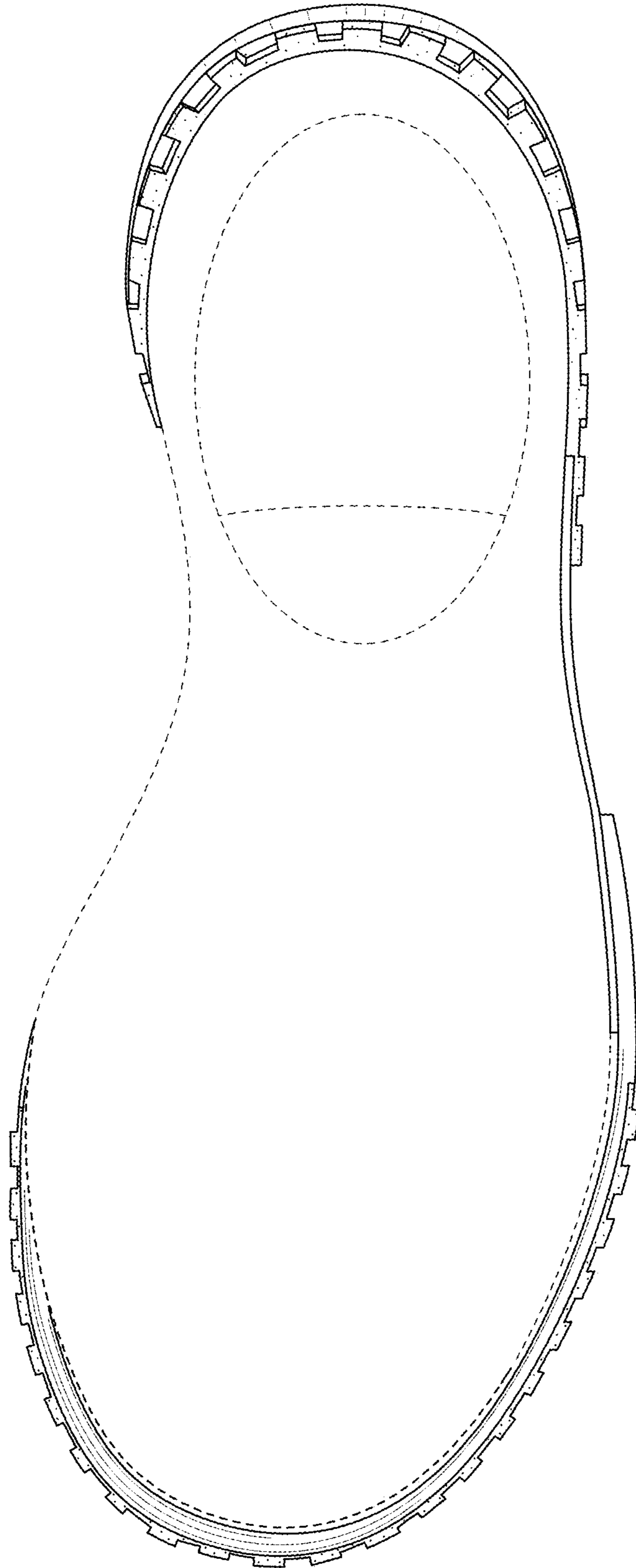


FIG. 6

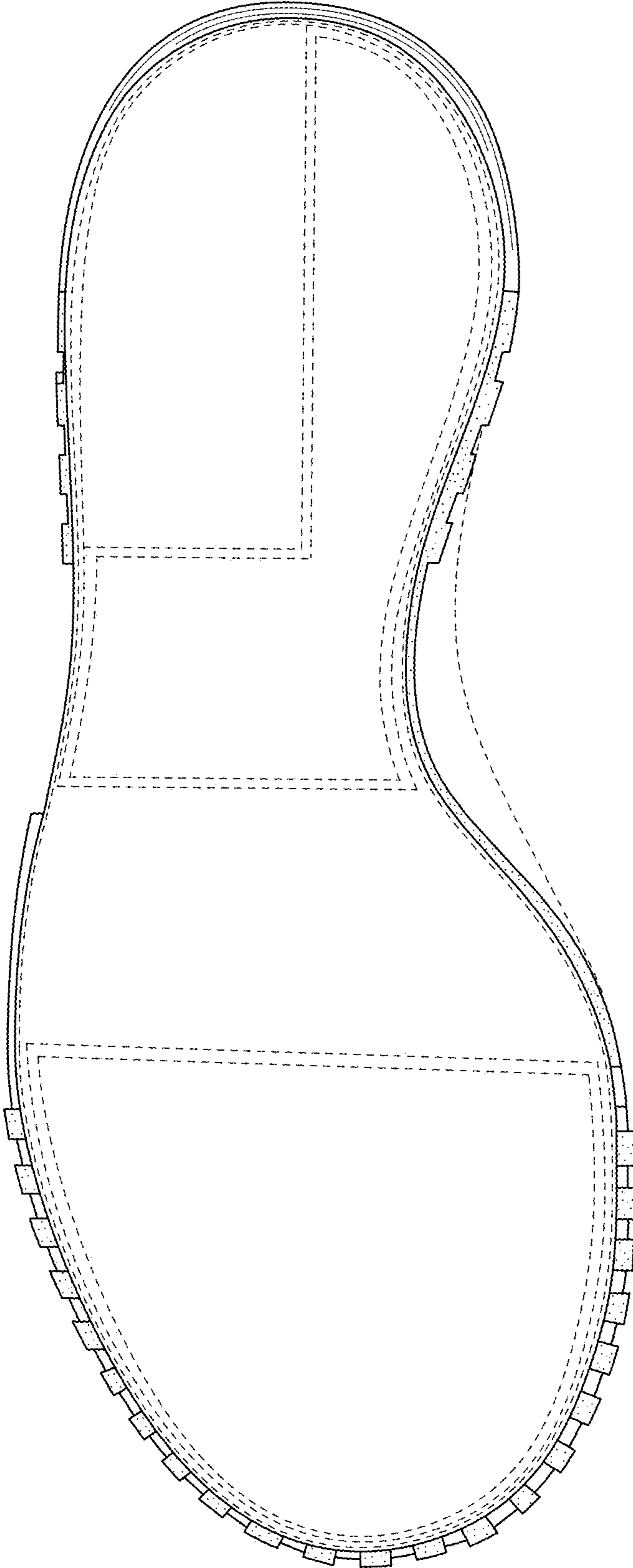


FIG. 7