



US00D889780S

(12) **United States Design Patent**
Godsey

(10) **Patent No.:** **US D889,780 S**
(45) **Date of Patent:** **** Jul. 14, 2020**

(54) **BARTENDER'S SHIRT**

DESCRIPTION

- (71) Applicant: **Diane M Godsey**, Waukesha, WI (US)
- (72) Inventor: **Diane M Godsey**, Waukesha, WI (US)
- (**) Term: **15 Years**
- (21) Appl. No.: **29/679,106**
- (22) Filed: **Feb. 1, 2019**
- (51) **LOC (12) Cl.** **02-02**
- (52) **U.S. Cl.**
USPC **D2/840**
- (58) **Field of Classification Search**
USPC D2/728, 739, 840, 841
CPC A41B 1/00; A41C 3/04; A41D 1/215
See application file for complete search history.

(56) **References Cited**

U.S. PATENT DOCUMENTS

4,637,075	A *	1/1987	Ingrisano	A41D 13/0012
					2/102
D387,540	S	12/1997	Kaufman		
5,774,892	A *	7/1998	Tisdale	A41D 1/06
					2/115
D425,584	S *	5/2000	Hines	D2/737
D432,288	S *	10/2000	Davis	D2/602
D456,517	S *	4/2002	Kraska	D24/189
D554,828	S *	11/2007	Osborn	D2/841

(Continued)

Primary Examiner — Kevin K Rudzinski

Assistant Examiner — Amber J Rabie

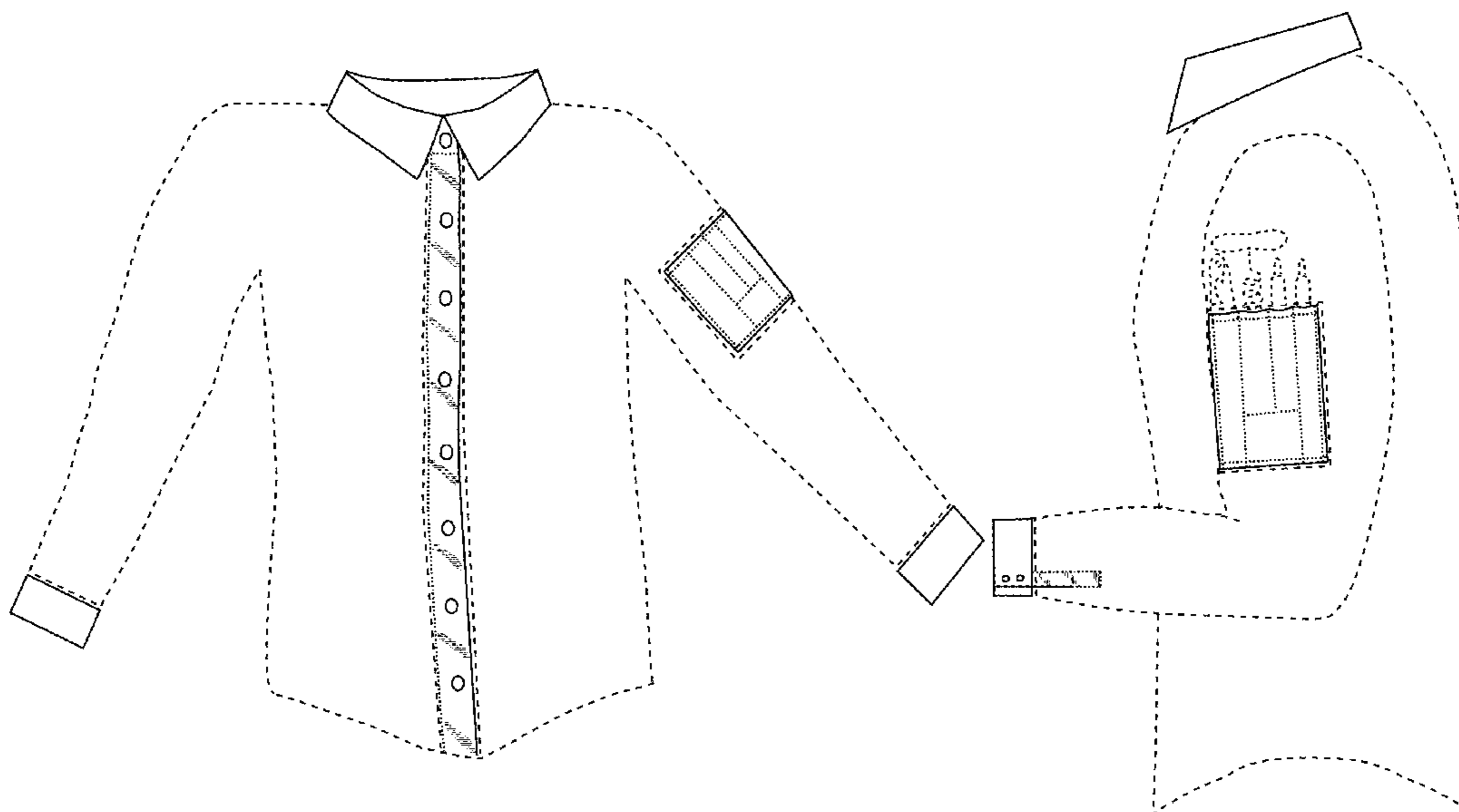
(74) *Attorney, Agent, or Firm* — Randolph Bretton; The Law Office of Randolph Bretton

(57) **CLAIM**

The ornamental design for a bartender's shirt, as shown and described.

FIG. 1 is a prospective view of the bartender's shirt with sleeve pocket showing a multi-channel pocket on the upper left sleeve, which may be used to hold bartender's tools. FIG. 2 is a front view of the bartender's shirt, showing a button-down shirt with a collar and cuffs and the multi-channel pocket on the front of the upper left sleeve. FIG. 3 is a back view of the shirt shown in FIG. 2. FIG. 4 is a left side view of the bartender's shirt showing the pocket on the front and left side of the upper left sleeve. In FIG. 4 the pocket contains exemplary bartenders' tools which are illustrated by broken lines. FIG. 5 is a right-side view of the bartender's shirt. FIG. 6 is a top view of the bartender's shirt shown in FIG. 4. In FIGS. 4 and 6 the pocket contains exemplary bartenders' tools. FIG. 7 is a bottom view of the bartender's shirt. FIG. 8 is a close up view of the pocket and individual channels which may be used to hold bartender's tools. In FIGS. 8, 9, 10, 11, and 12, the pocket does not contain exemplary bartenders' tools. FIG. 9 is a top view of the pocket in FIG. 8. FIG. 10 is a bottom view of the pocket in FIG. 8. FIG. 11 is a front view of the pocket in FIG. 8. FIG. 12 is a back view of the pocket in FIG. 8; and, FIG. 13 is a front view of an alternative embodiment of the bartender's shirt which may be buttoned from the opposite side. In FIGS. 1-13, broken lines represent unclaimed subject matter. The fine broken lines represent stitching. Neither type of broken line forms any part of the claimed design and are for illustrative purposes only. In FIGS. 1, and 4-7, the shirt is illustrated as if on a human figure. For clarity the human figure is not shown. In FIGS. 2, 3, and 13, the shirt as illustrated is not on a figure. In FIGS. 1, 4, and 6, exemplary bartender's tools are shown protruding from the pocket, as represented by broken lines. In FIGS. 2 and 8-13, no exemplary bartender's tools are shown to be present in the pocket.

1 Claim, 10 Drawing Sheets



(56)

References Cited

U.S. PATENT DOCUMENTS

7,418,741 B2 * 9/2008 Rogers A41D 13/1236
2/114
D603,141 S 11/2009 Rhodes
D641,138 S 7/2011 Santo et al.
8,661,563 B2 * 3/2014 Evans A41D 13/08
2/16
D736,492 S 8/2015 Kidman
D743,146 S * 11/2015 Yerby D2/857
D747,039 S * 1/2016 Espino A41D 13/08
D29/100
D749,297 S 2/2016 Kidman
D774,278 S * 12/2016 Amato D2/717
D775,457 S * 1/2017 Davis D2/849

* cited by examiner

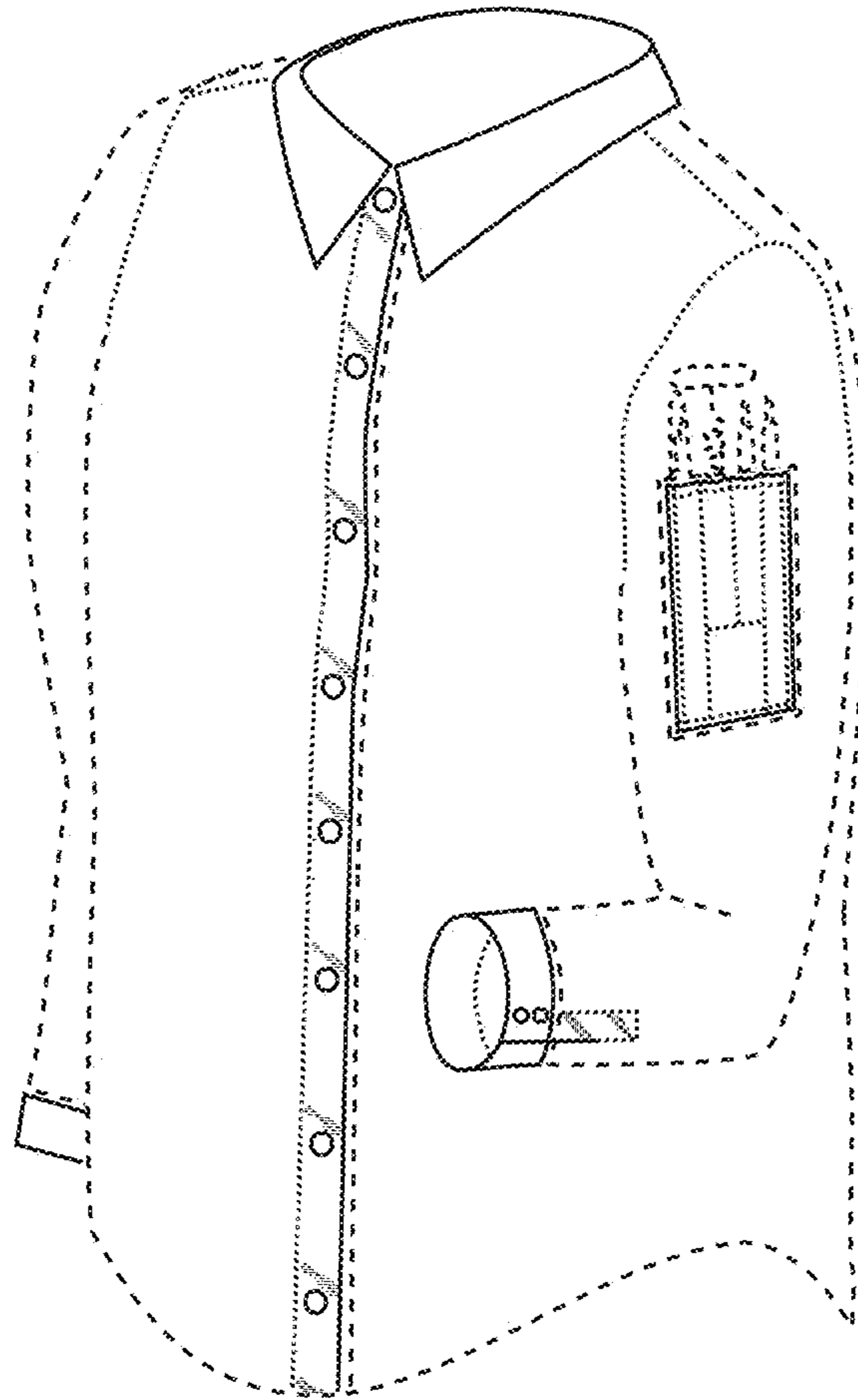


FIG. 1

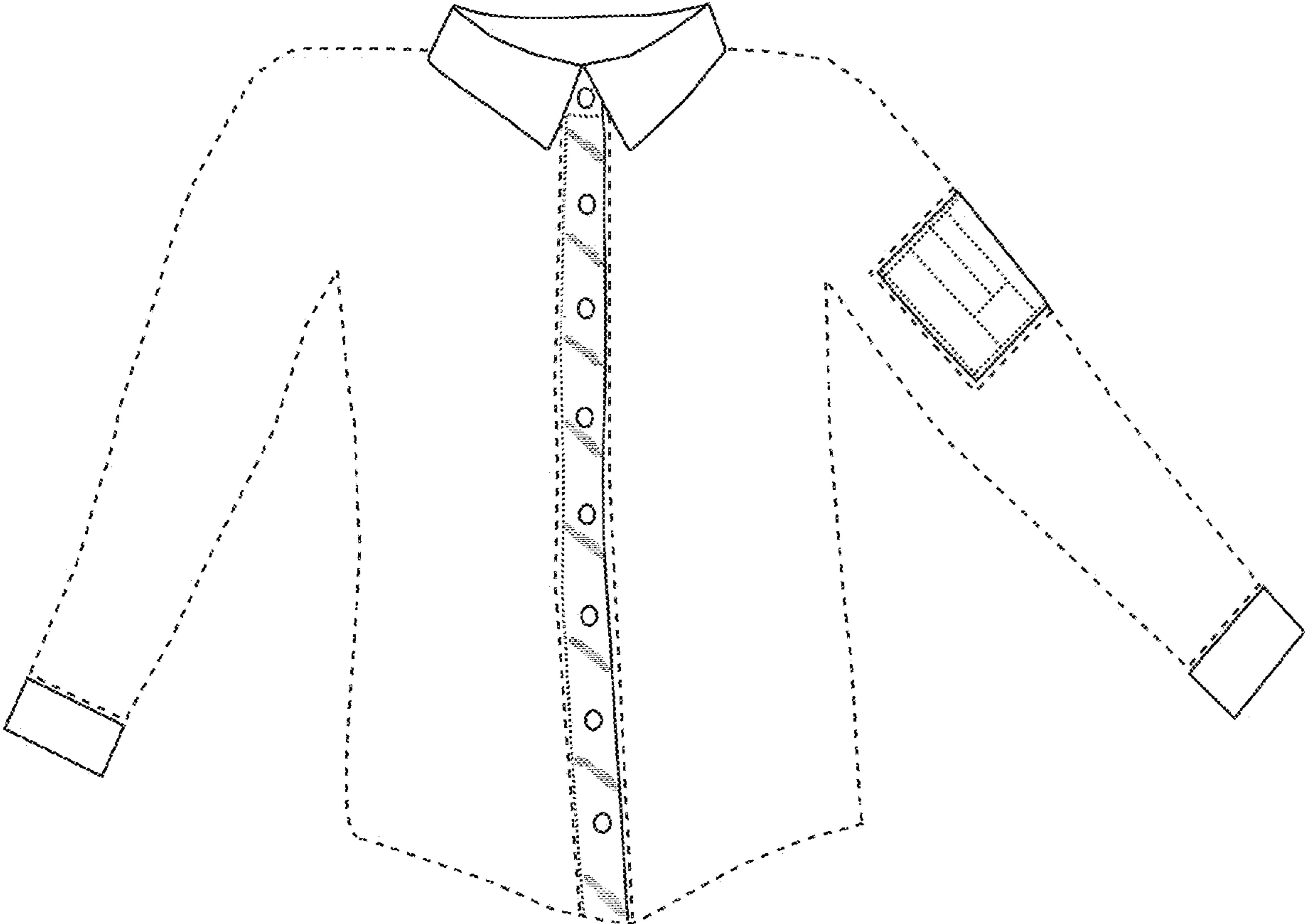


FIG. 2

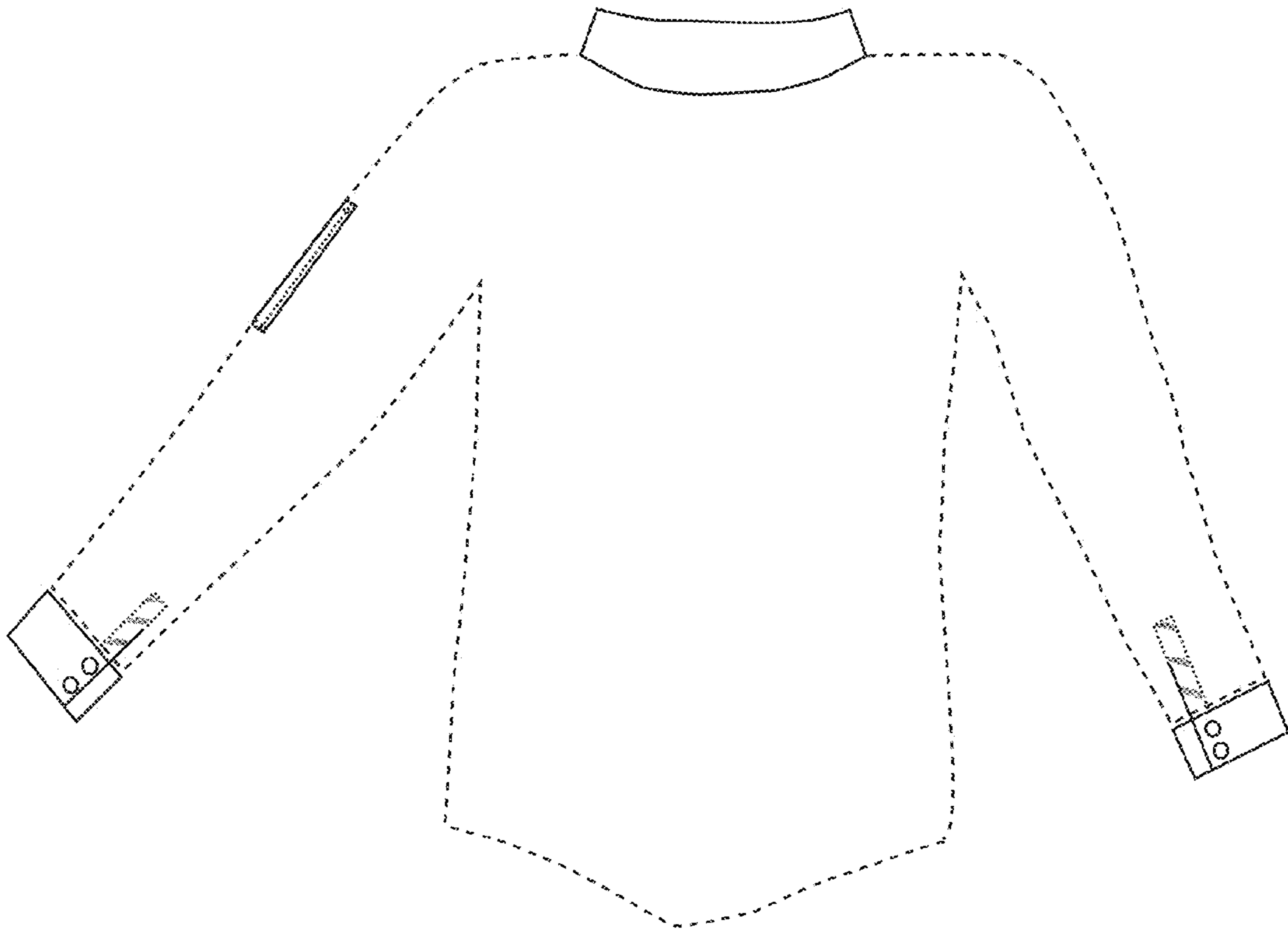


FIG. 3

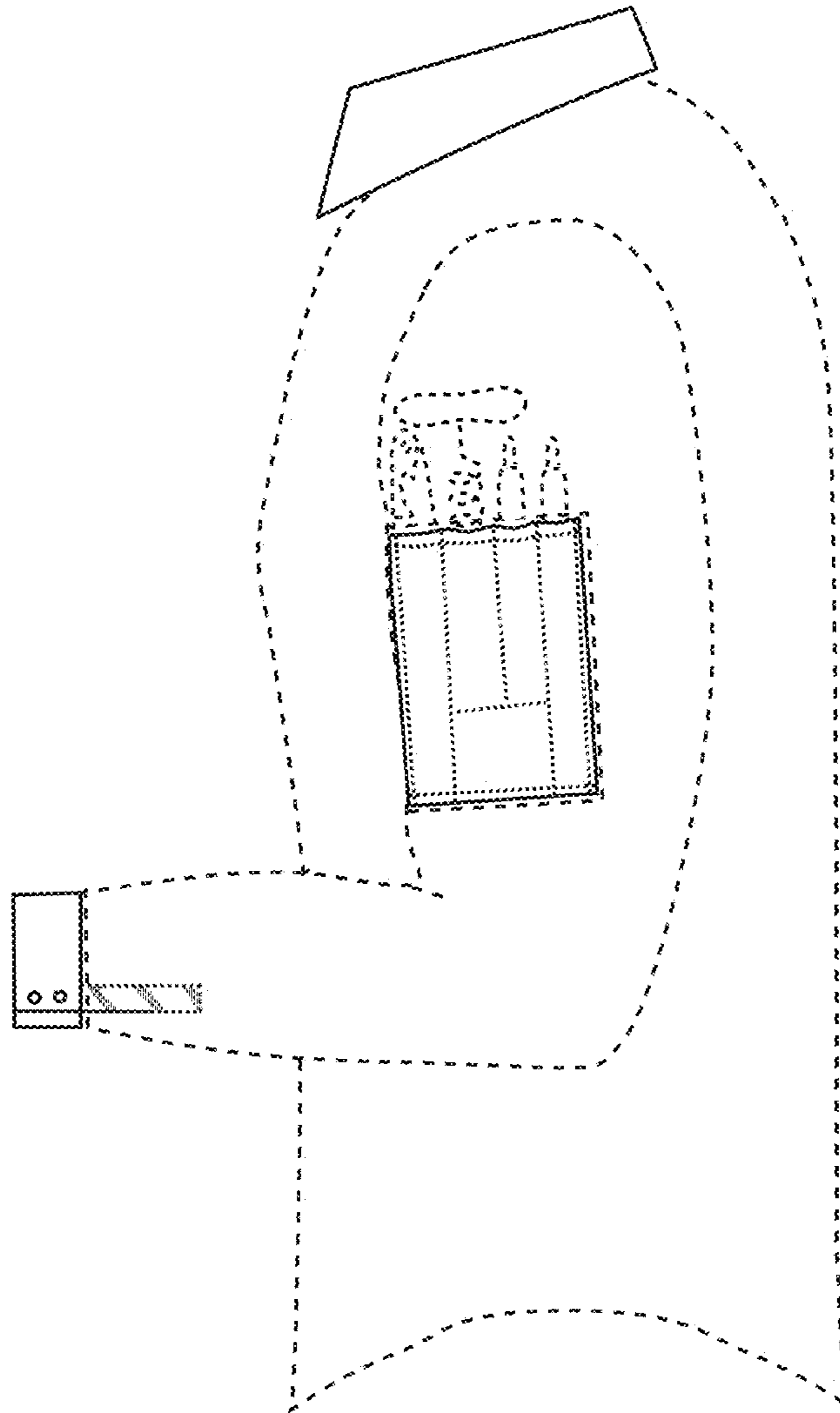


FIG. 4

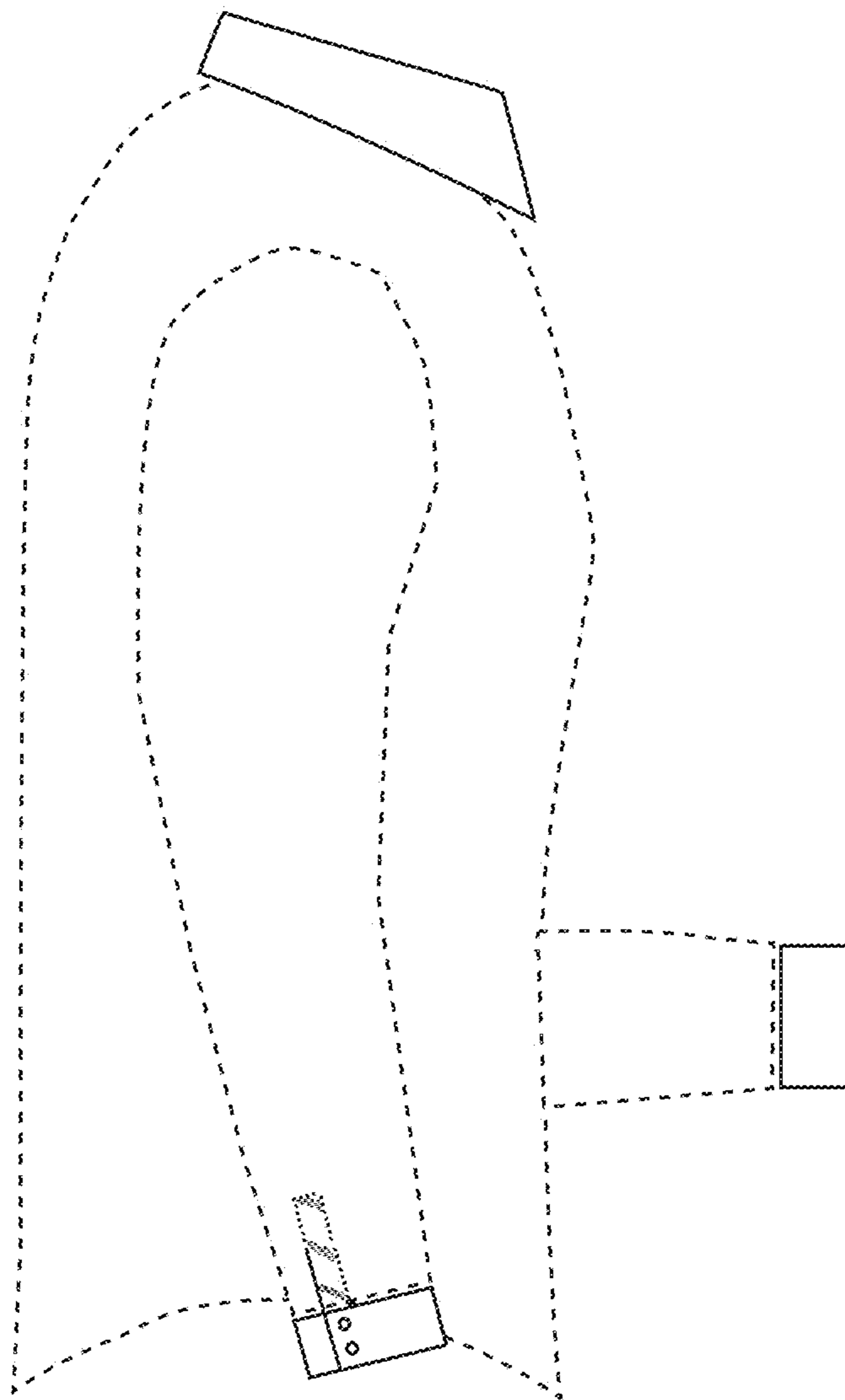


FIG. 5

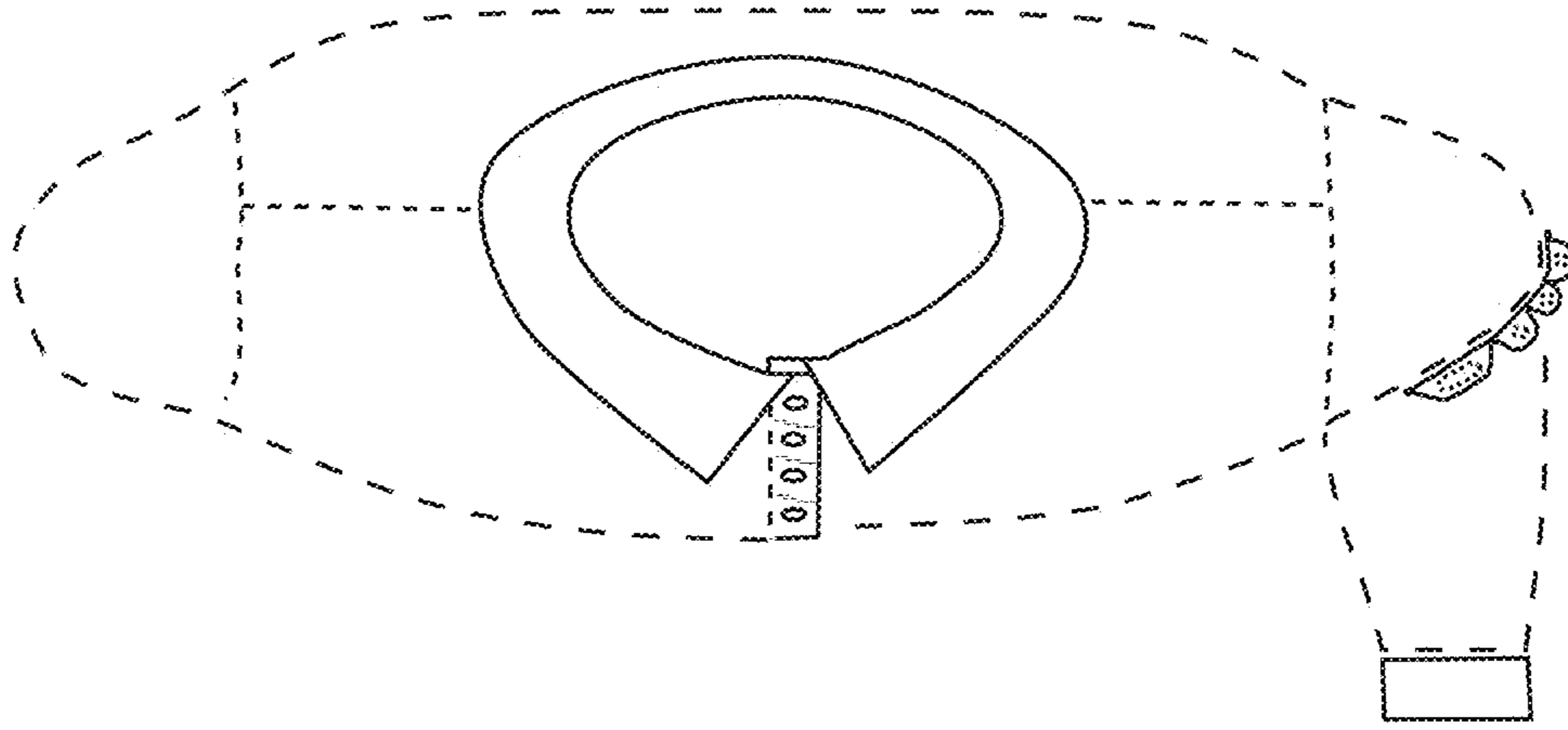


FIG. 6

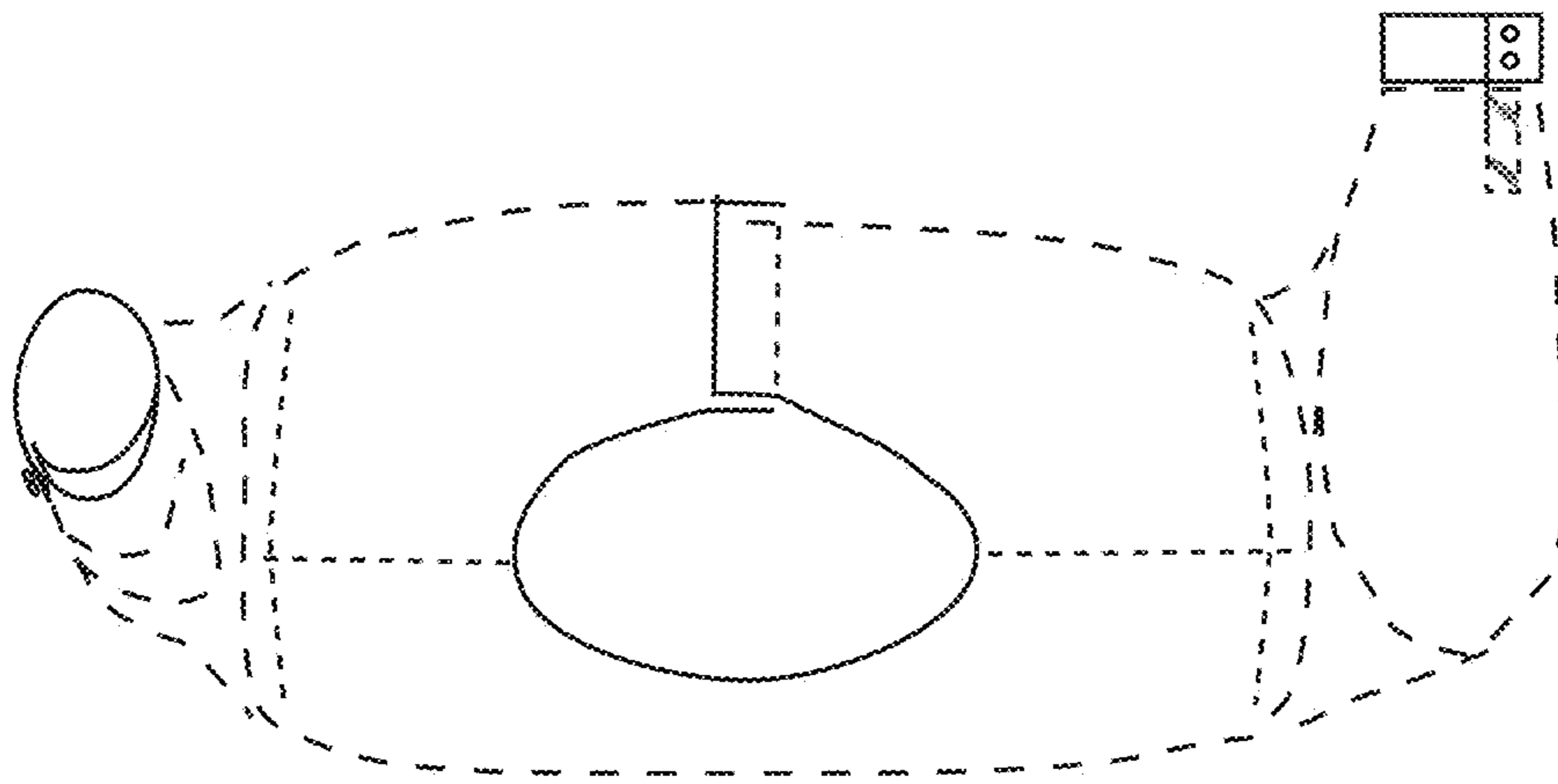


FIG. 7

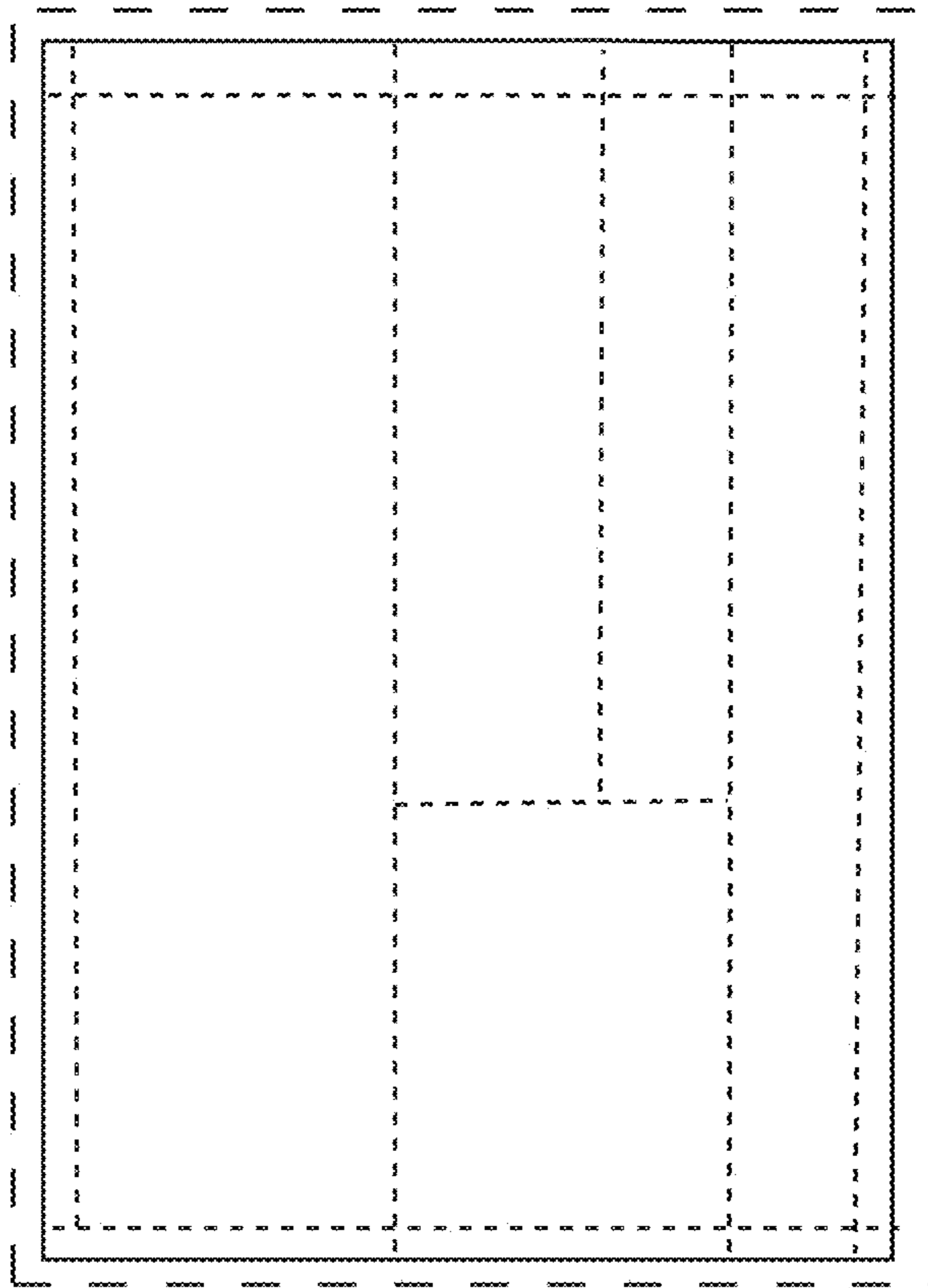


FIG. 8

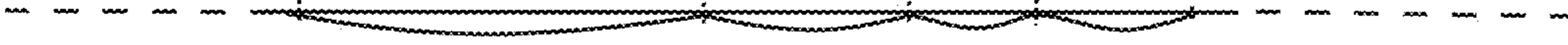


FIG. 9

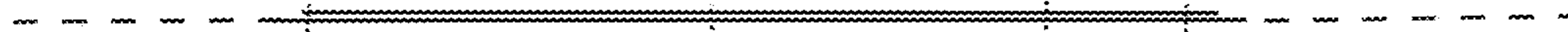


FIG. 10

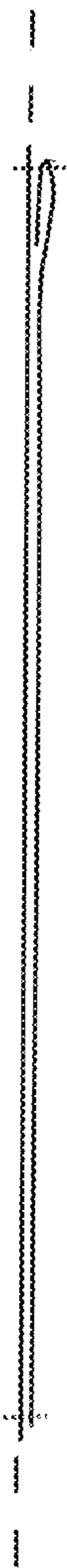


FIG. 11



FIG. 12

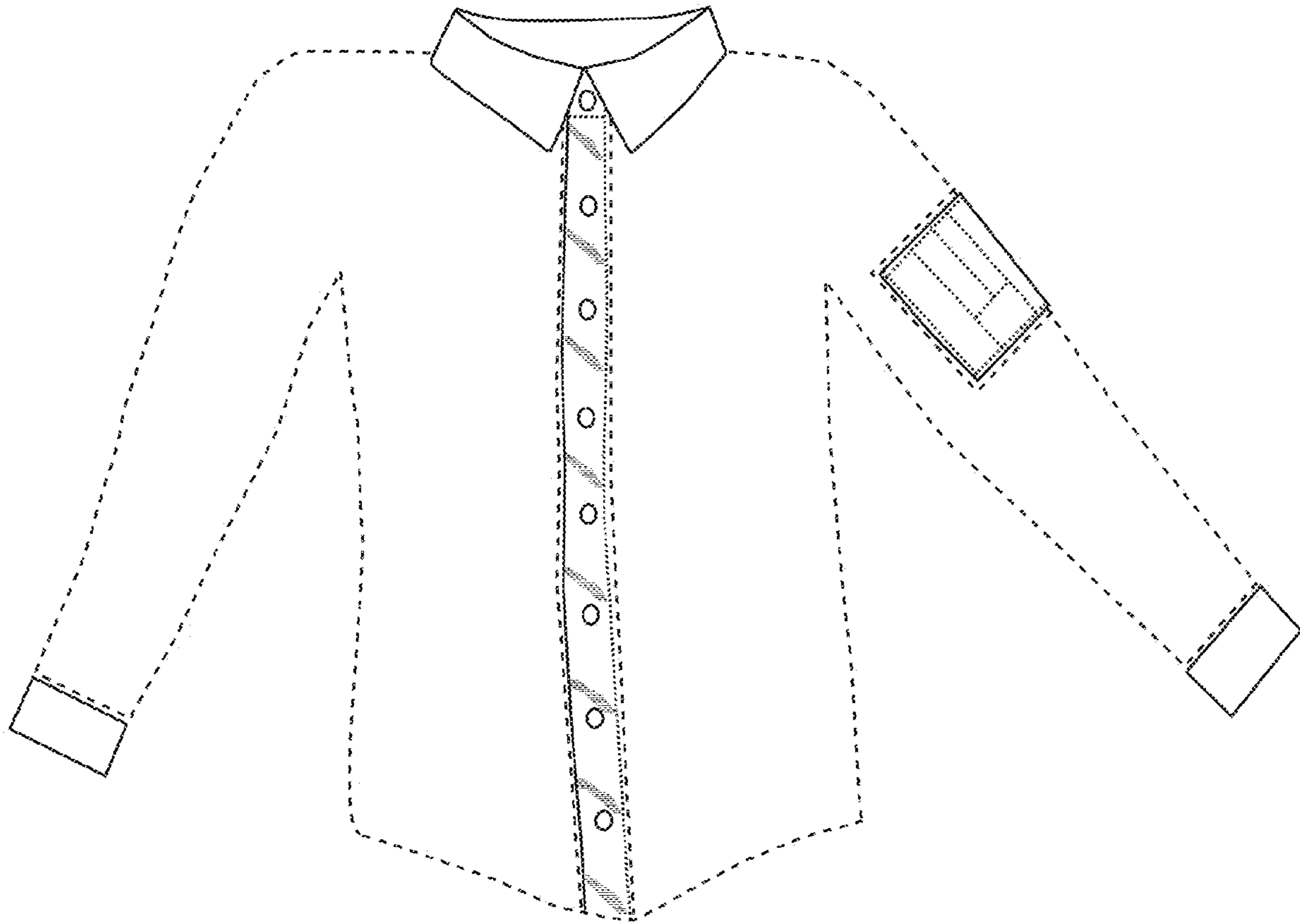


FIG. 13