



US00D889765S

(12) **United States Design Patent**
Androsyuk et al.

(10) **Patent No.:** **US D889,765 S**
(45) **Date of Patent:** **** Jul. 7, 2020**

- (54) **BEZEL**
- (71) Applicant: **Crane Payment Innovations, Inc.**,
Malvern, PA (US)
- (72) Inventors: **Sergiy Androsyuk**, Toronto (CA);
Matthew James Sidell, Phoenixville,
PA (US)
- (73) Assignee: **Crane Payment Innovations, Inc.**,
Malvern, PA (US)
- (**) Term: **15 Years**
- (21) Appl. No.: **29/661,412**
- (22) Filed: **Aug. 27, 2018**
- (51) **LOC (12) Cl.** **99-00**
- (52) **U.S. Cl.**
USPC **D99/43; D14/385**
- (58) **Field of Classification Search**
USPC D99/28, 34, 35, 36, 43, 99;
D14/383-387, 439; D18/3.1, 3.3, 4.1,
D18/4.4, 4.5, 4.6, 12, 12.1, 49; D20/1, 2,
D20/4, 5, 6, 8, 9; D10/42
CPC .. G06Q 20/10; G06Q 20/108; G06Q 20/1085;
G06Q 20/18; G07D 1/00; G07D 1/02;
G07D 1/04; G07D 1/06; G07D 11/00;
G07D 9/002; G07D 9/04; G07F 19/20;
G07F 19/201; G07F 19/202; G07F
19/203; G07F 19/204; G07F 19/105;
G07F 19/21; G07F 19/00; G07F 7/04;
G07F 5/00; G07F 1/00; E05G 7/001;
E05G 1/006; A63H 33/00; A63H 33/005
See application file for complete search history.

- D292,423 S * 10/1987 Williams D21/333
- 5,905,252 A 5/1999 Magana
- D419,277 S * 1/2000 Ishii D99/28
- 6,527,187 B1 3/2003 Nagata et al.
- D481,516 S * 10/2003 Magee D99/28
- D481,517 S * 10/2003 Magee D99/28
- D505,530 S * 5/2005 Nelson D99/28
- D625,305 S * 10/2010 Bleck D14/307
- 8,496,182 B2 7/2013 Mizawa
- D693,803 S * 11/2013 Colley D14/307
- 8,875,994 B2 11/2014 Theobald

(Continued)

Primary Examiner — Elizabeth J Oswecki

(57) **CLAIM**

The ornamental design for a bezel, as shown and described.

DESCRIPTION

FIG. 1 is a front perspective view of a first embodiment of a bezel, showing our new design;
 FIG. 2 is a front elevation view thereof;
 FIG. 3 is a rear elevation view thereof;
 FIG. 4 is a right side elevation view thereof;
 FIG. 5 is a left side elevation view thereof;
 FIG. 6 is a top plan view thereof;
 FIG. 7 is a bottom plan view thereof;
 FIG. 8 is a bottom perspective view thereof;
 FIG. 9 is a front perspective view of a second embodiment of a bezel, showing our new design;
 FIG. 10 is a front elevation view thereof;
 FIG. 11 is a rear elevation view thereof;
 FIG. 12 is a right side elevation view thereof;
 FIG. 13 is a left side elevation view thereof;
 FIG. 14 is a top plan view thereof;
 FIG. 15 is a bottom plan view thereof; and,
 FIG. 16 is a bottom perspective view thereof.

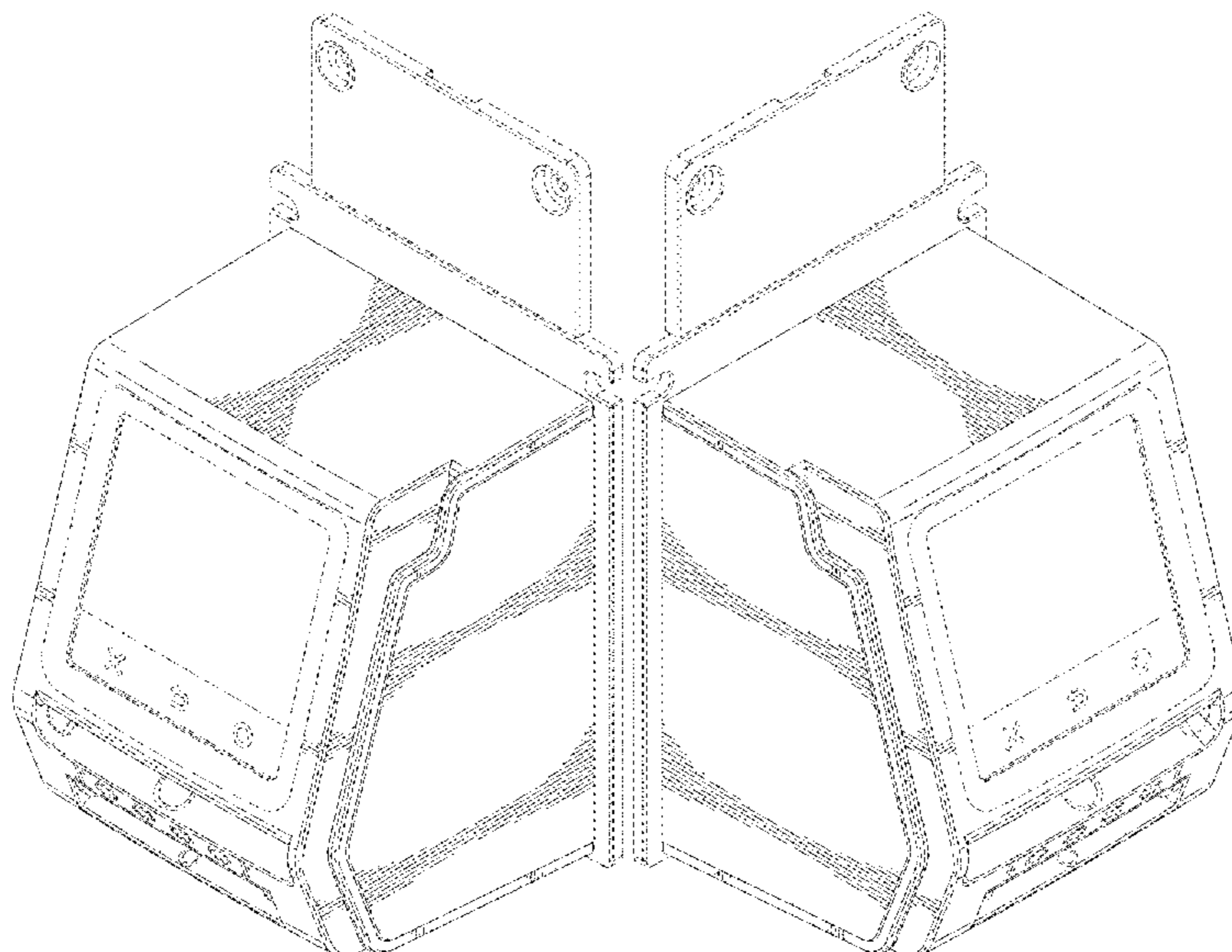
The broken lines present in the drawings are included for the purpose of illustrating portions of the article which form no part of the claimed design.

(56) **References Cited**

U.S. PATENT DOCUMENTS

- D272,293 S * 1/1984 Barthel 902/30
- 4,595,828 A * 6/1986 Lundblad G07F 19/20
235/379

1 Claim, 16 Drawing Sheets



(56)

References Cited

U.S. PATENT DOCUMENTS

D732,263 S *	6/2015	Budde	D99/28
D756,064 S *	5/2016	Budde	D99/28
9,747,530 B2	8/2017	Goh	
9,792,536 B2	10/2017	Carmine	
10,007,869 B2	6/2018	Goh	
2006/0073883 A1 *	4/2006	Franks, Jr.	G06Q 30/02 463/25

* cited by examiner

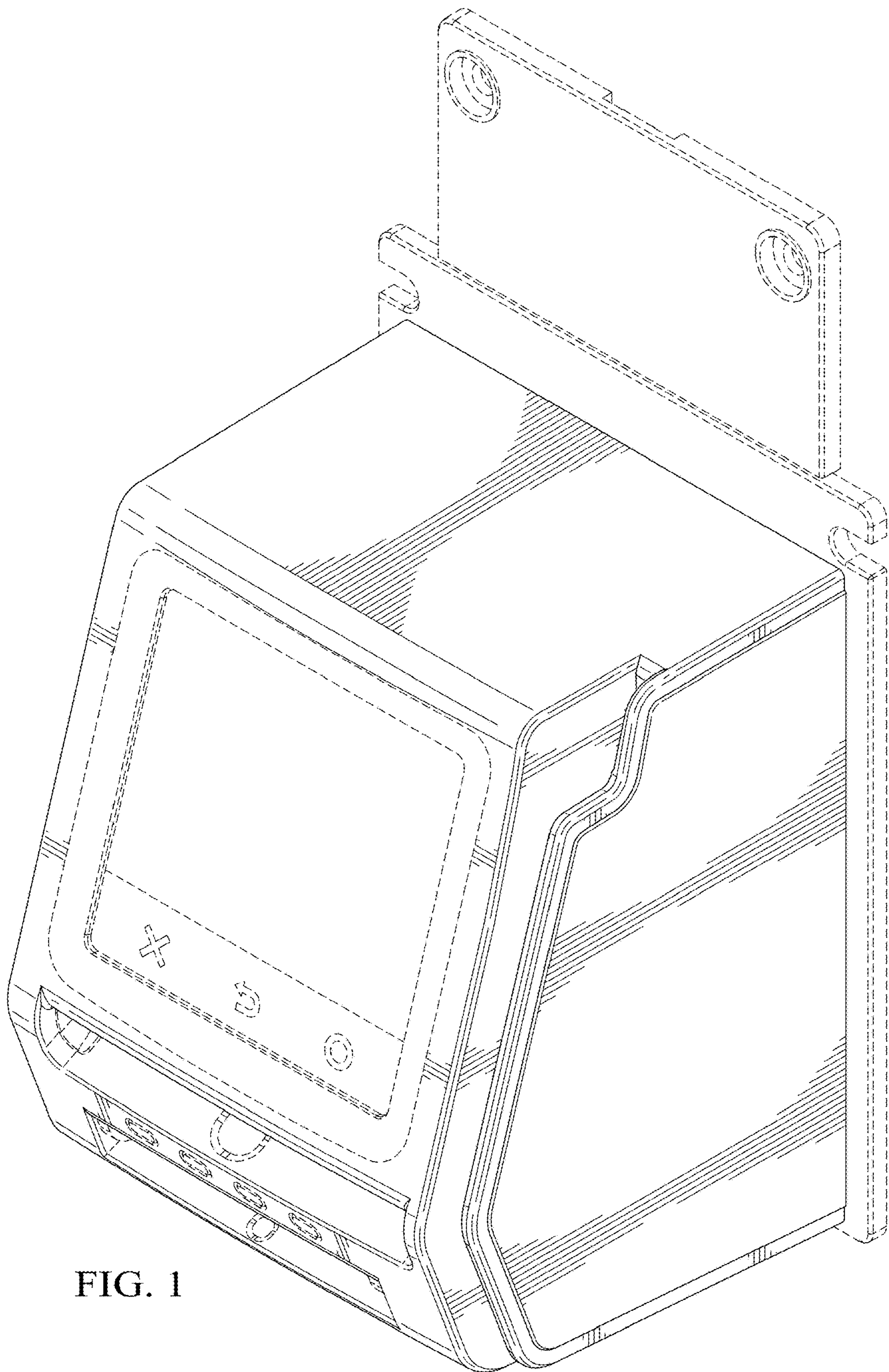


FIG. 1

FIG. 2

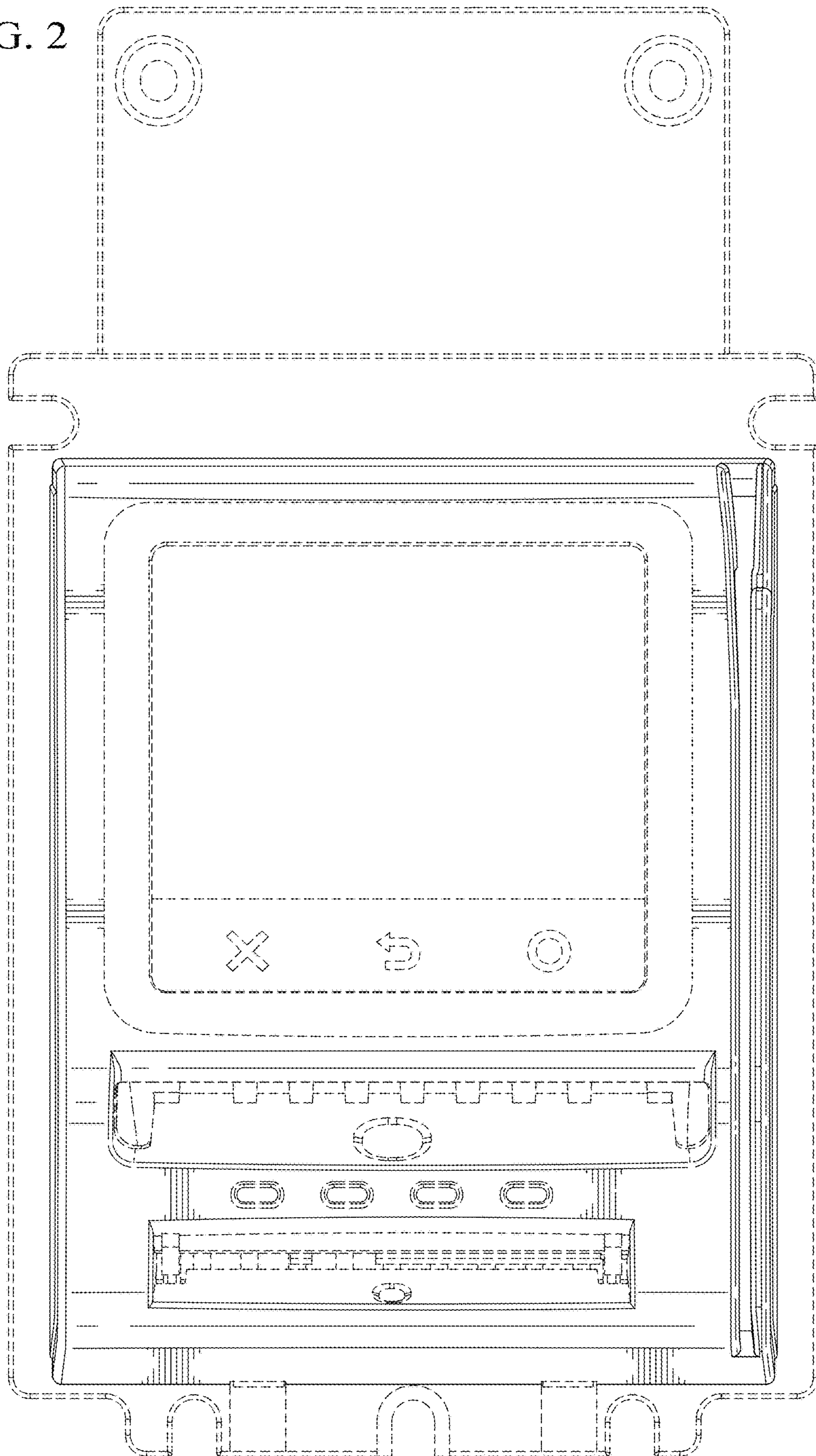
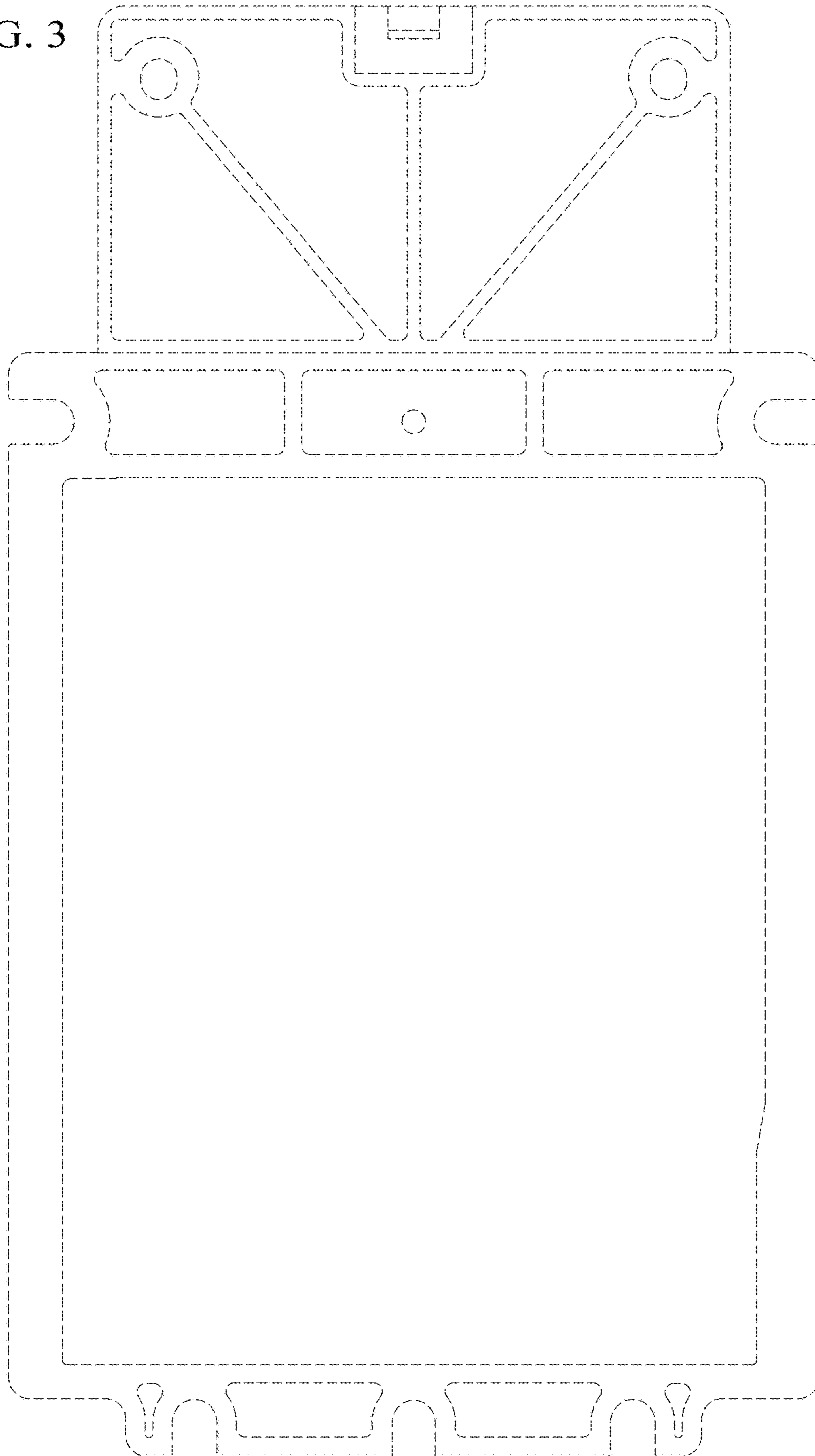


FIG. 3



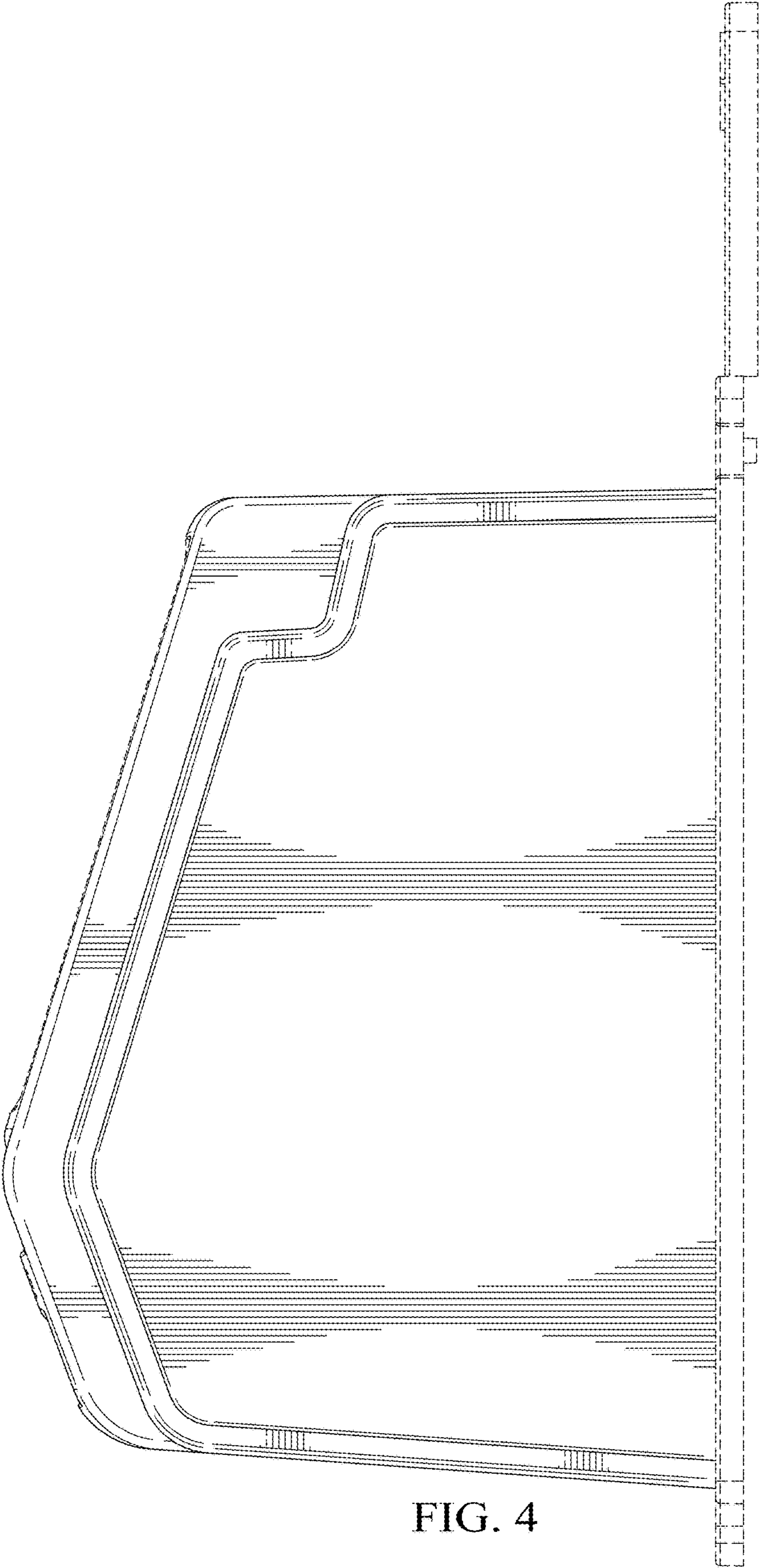


FIG. 4

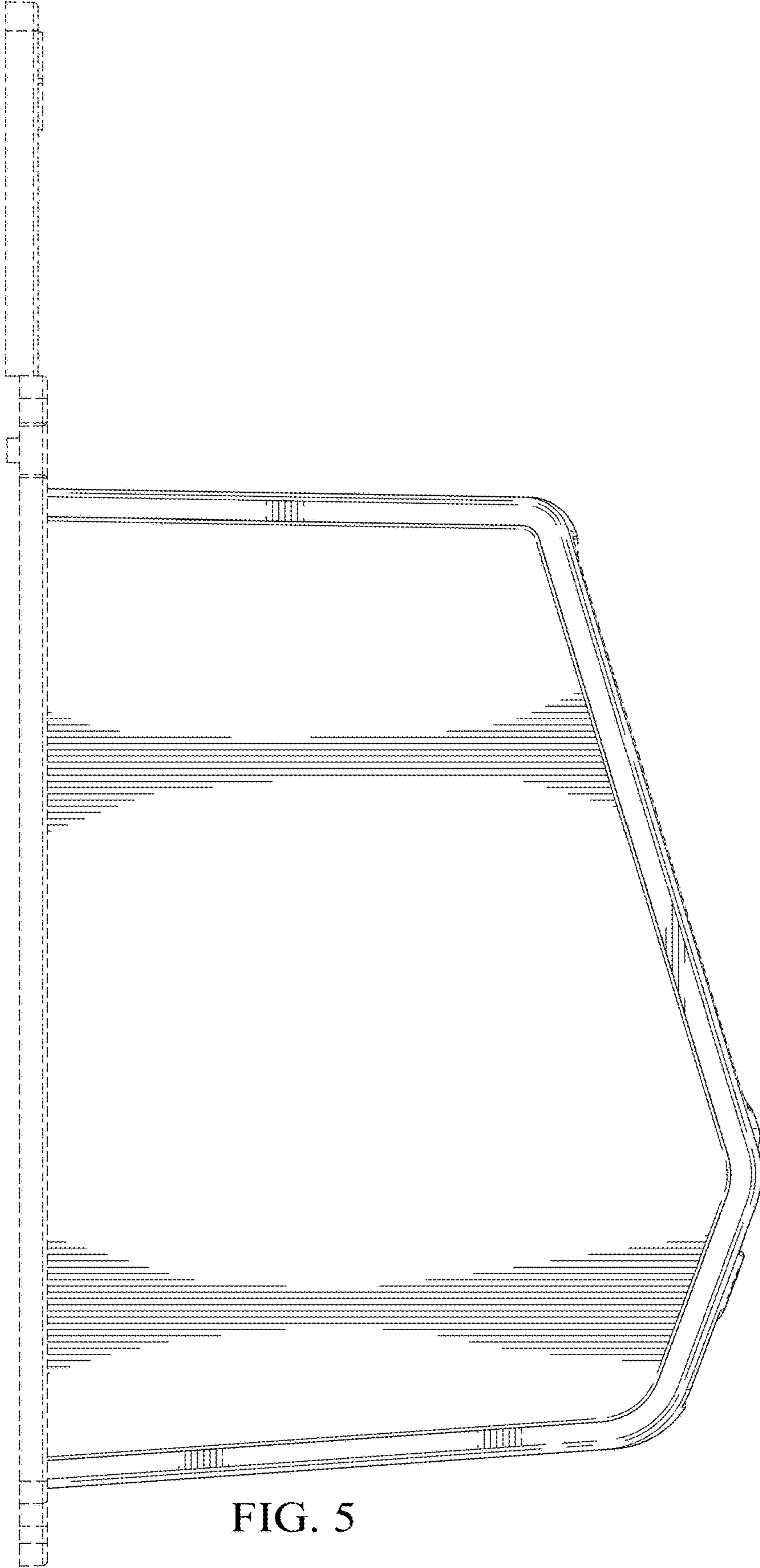


FIG. 5

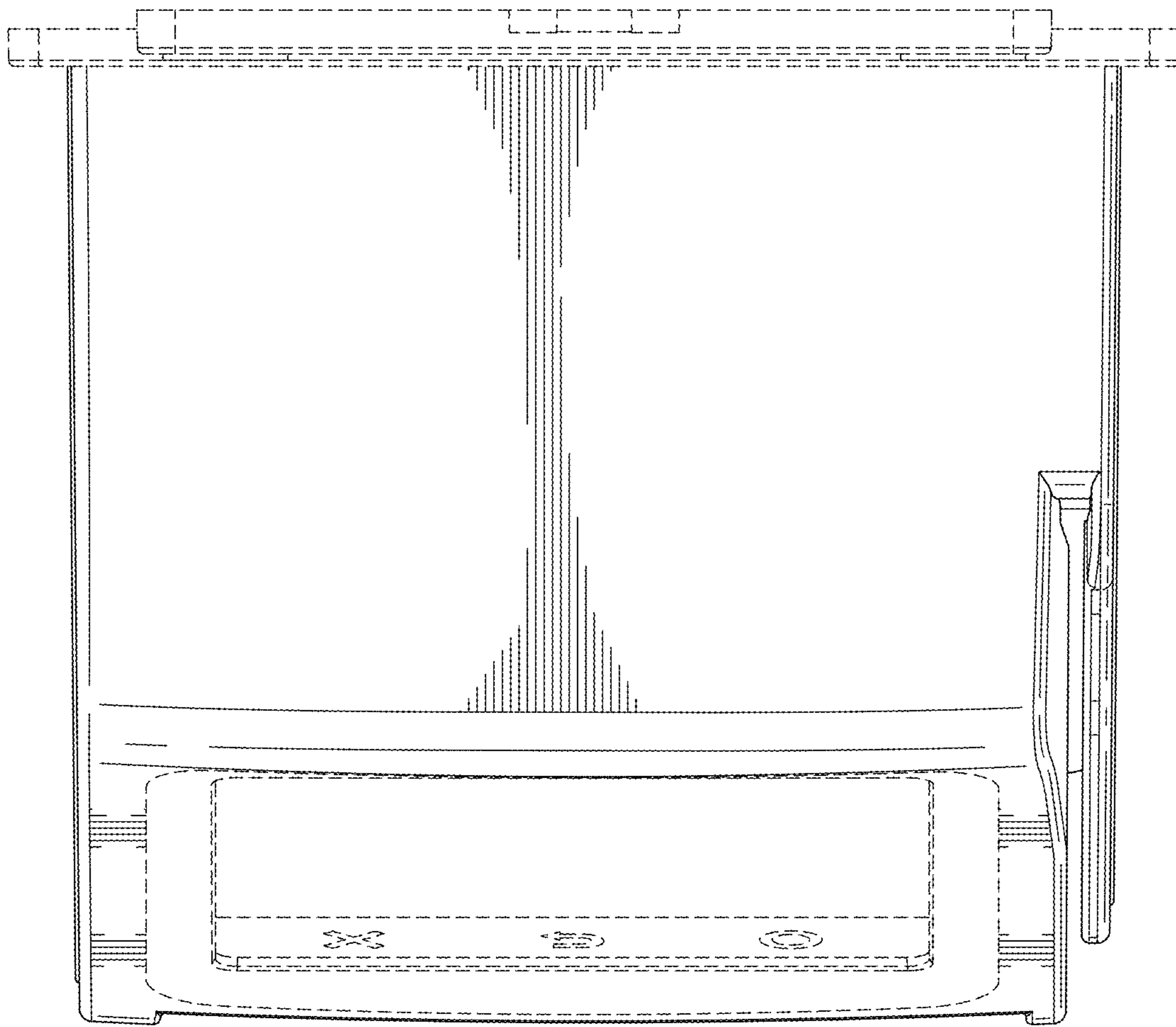


FIG. 6

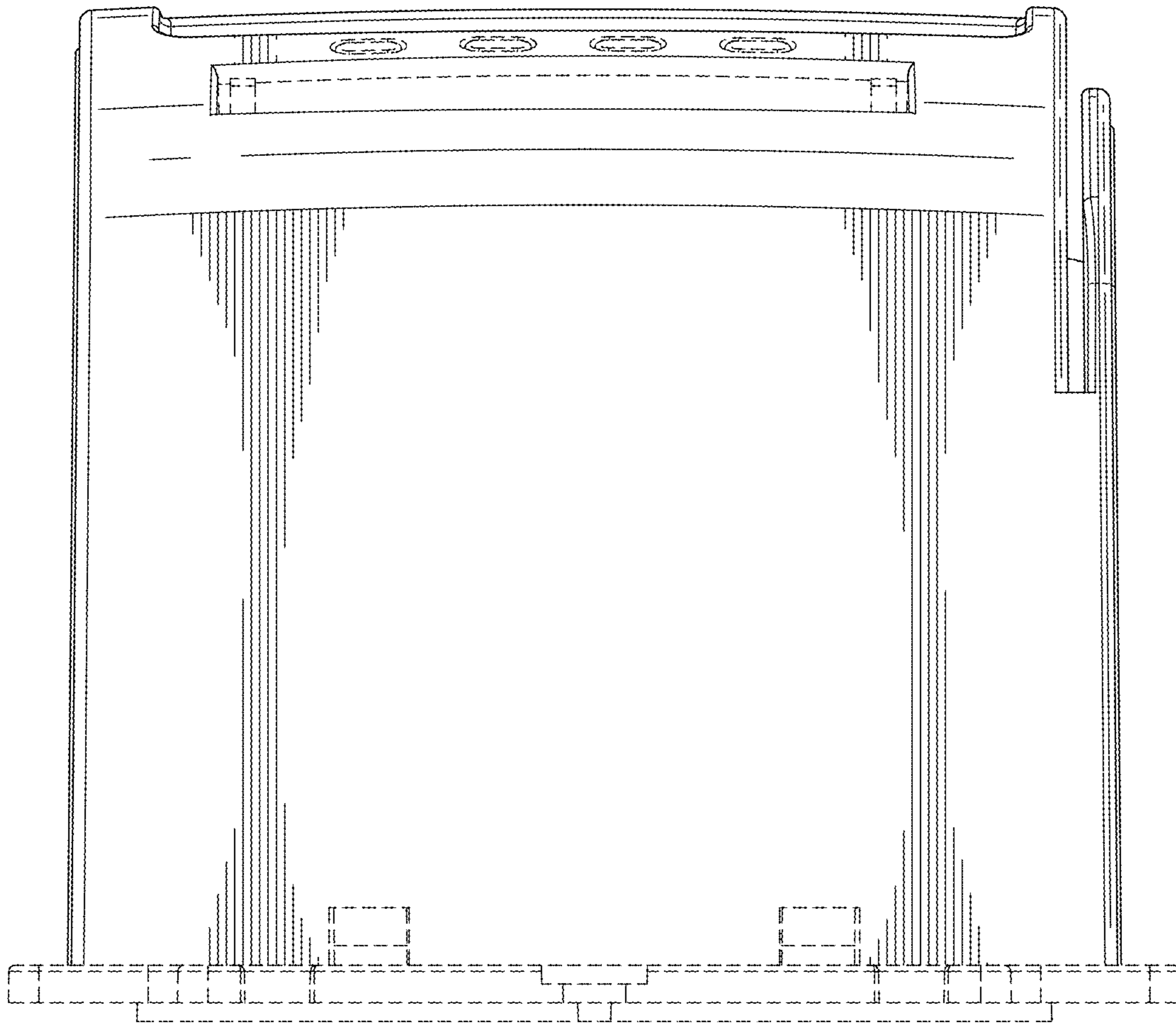


FIG. 7

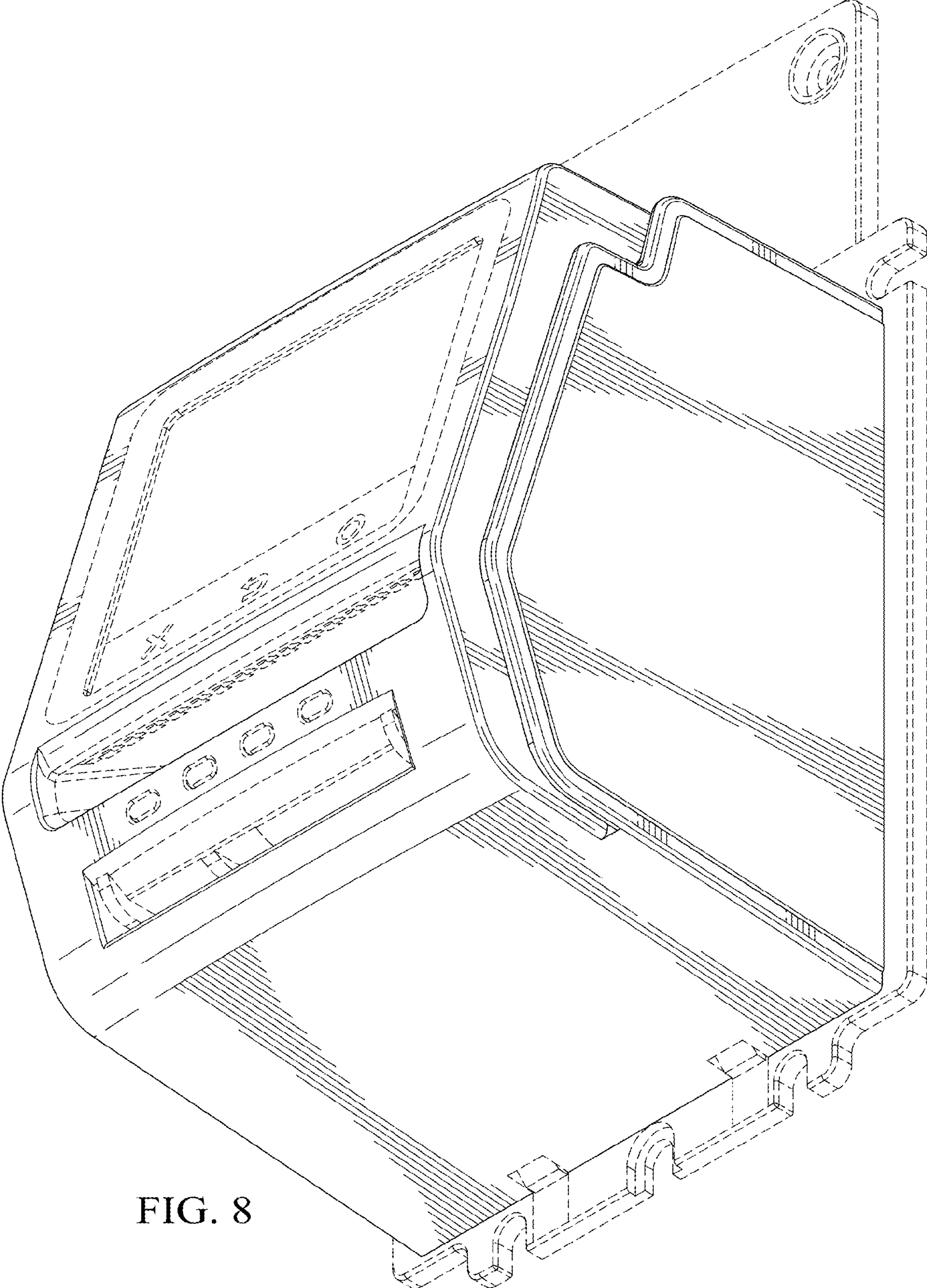


FIG. 8

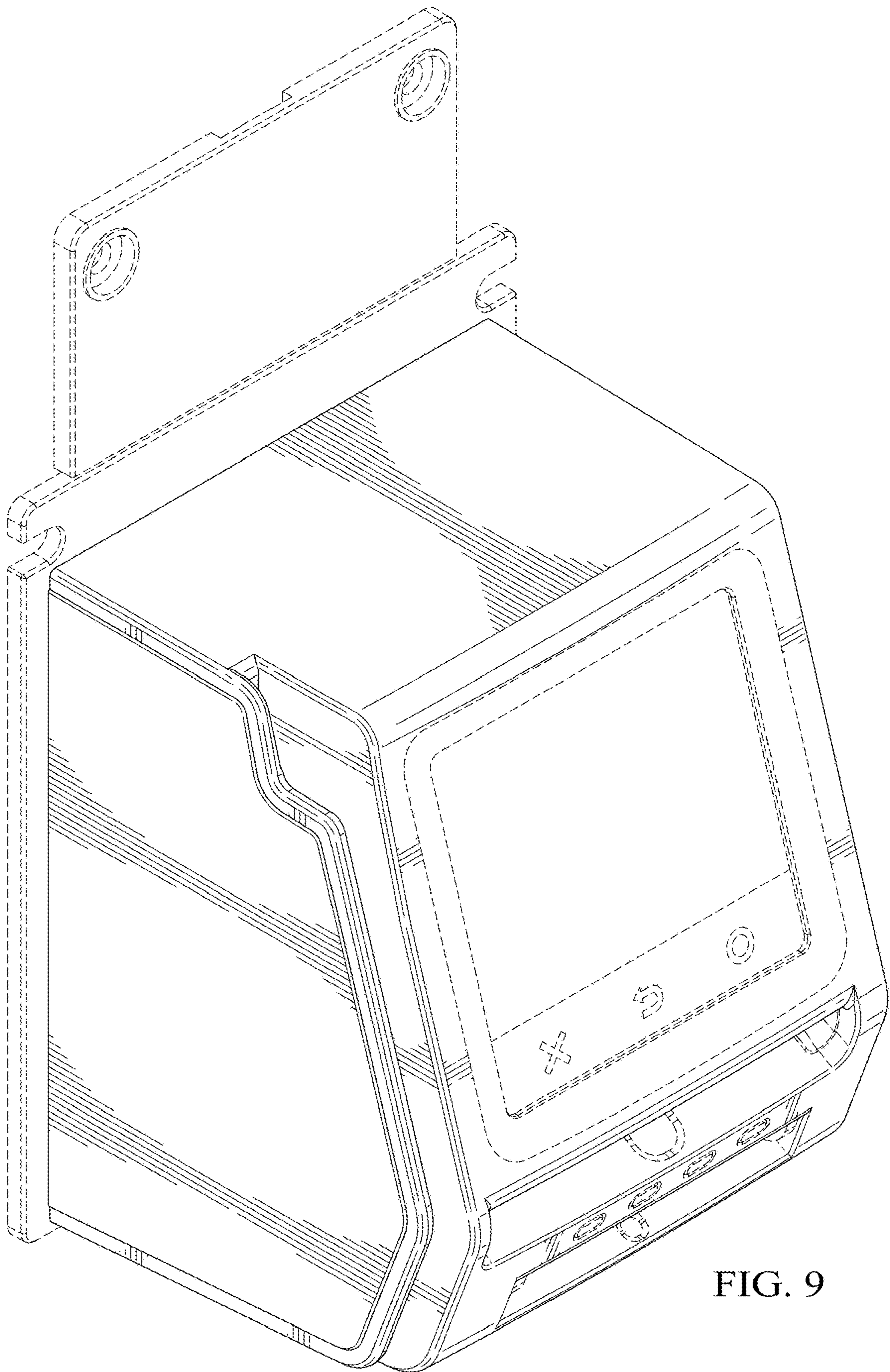


FIG. 9

FIG. 10

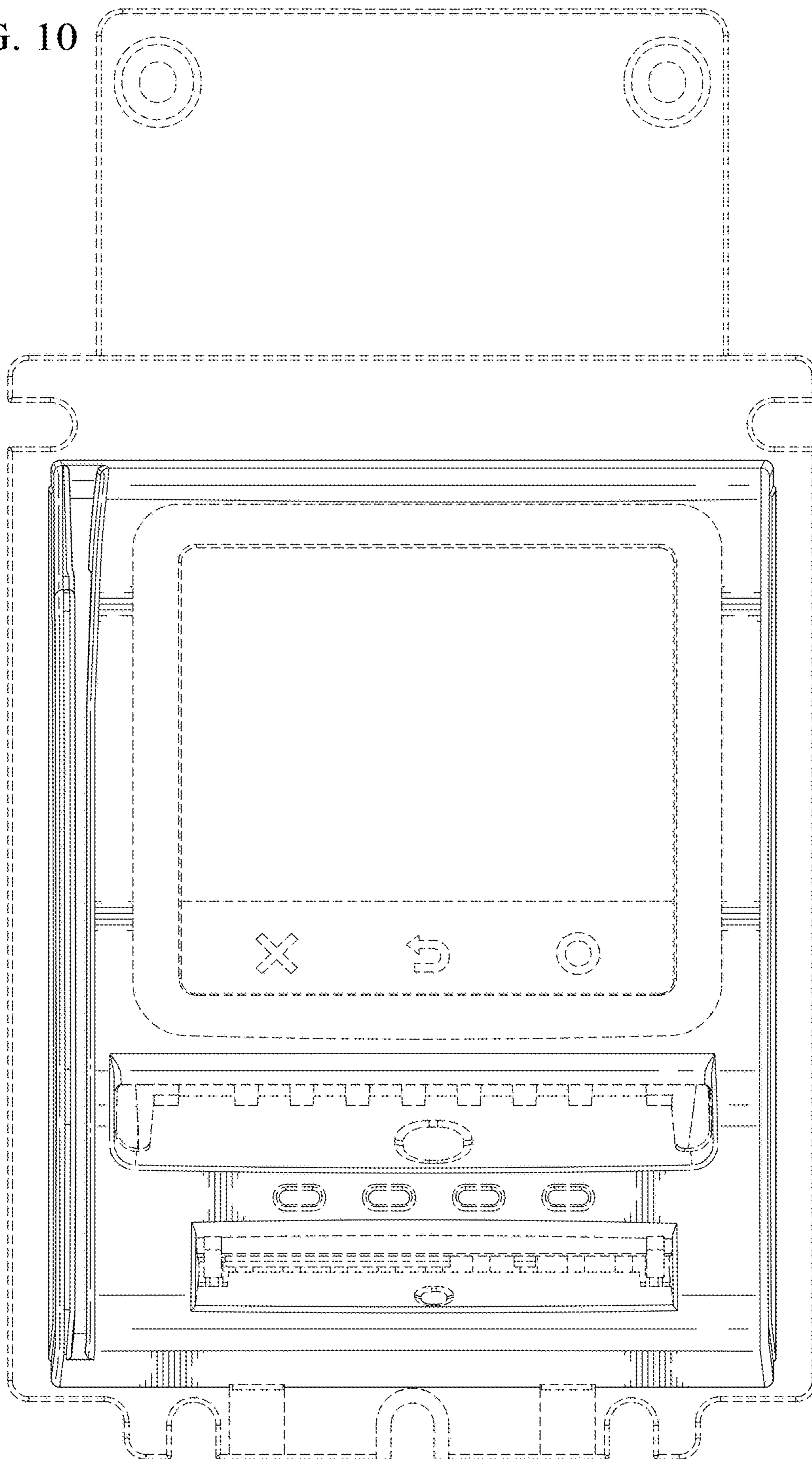
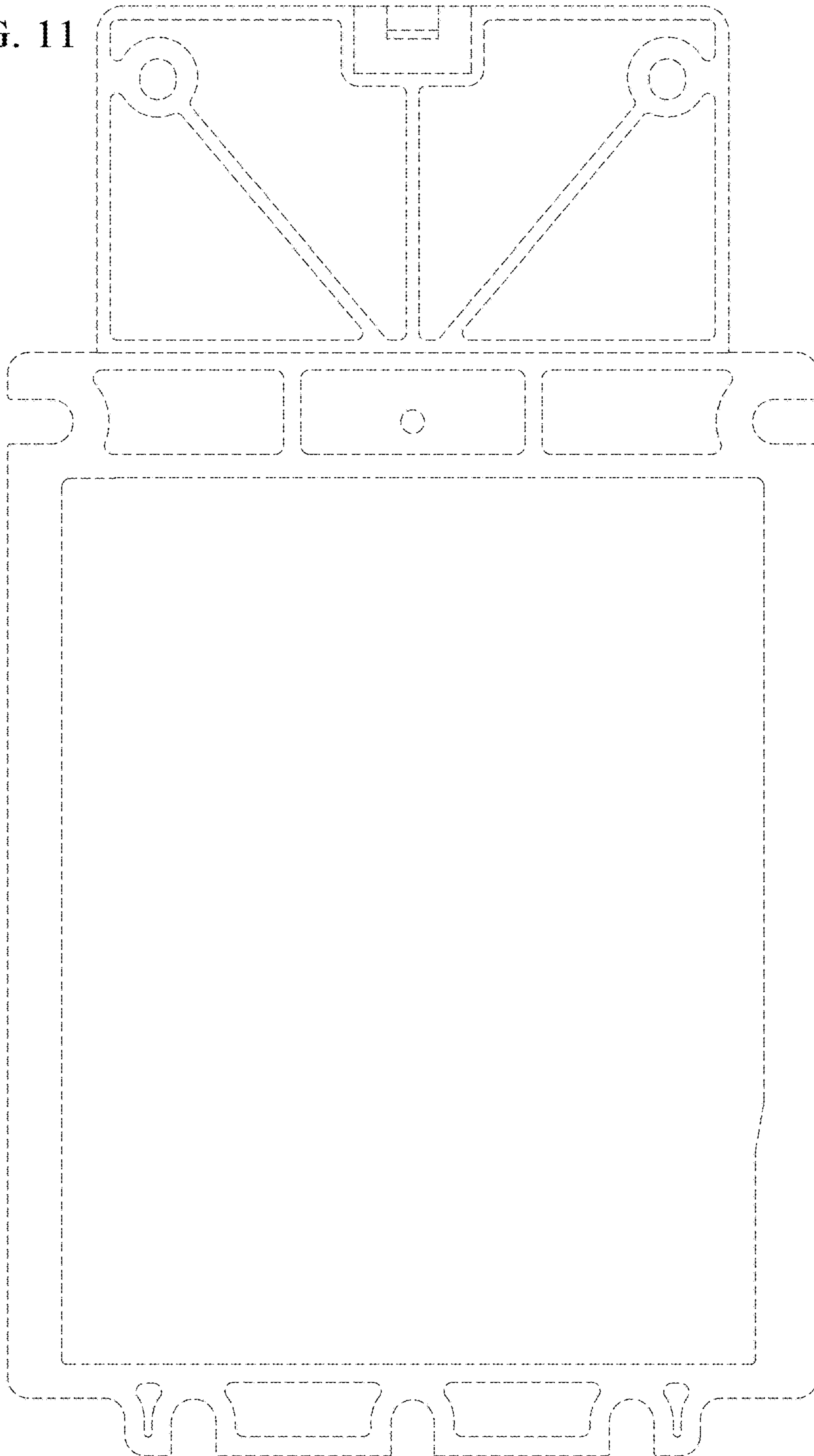


FIG. 11



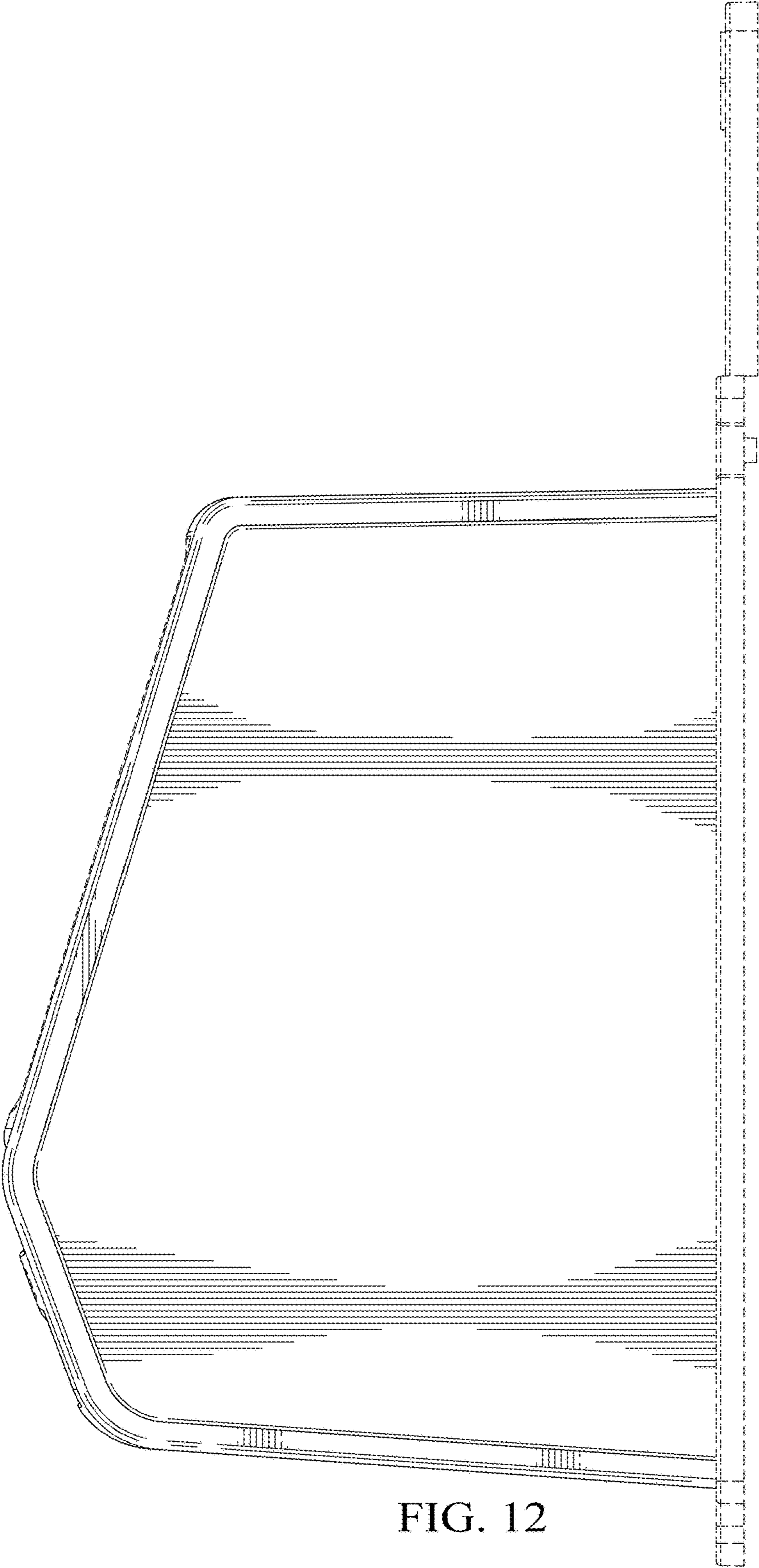


FIG. 12

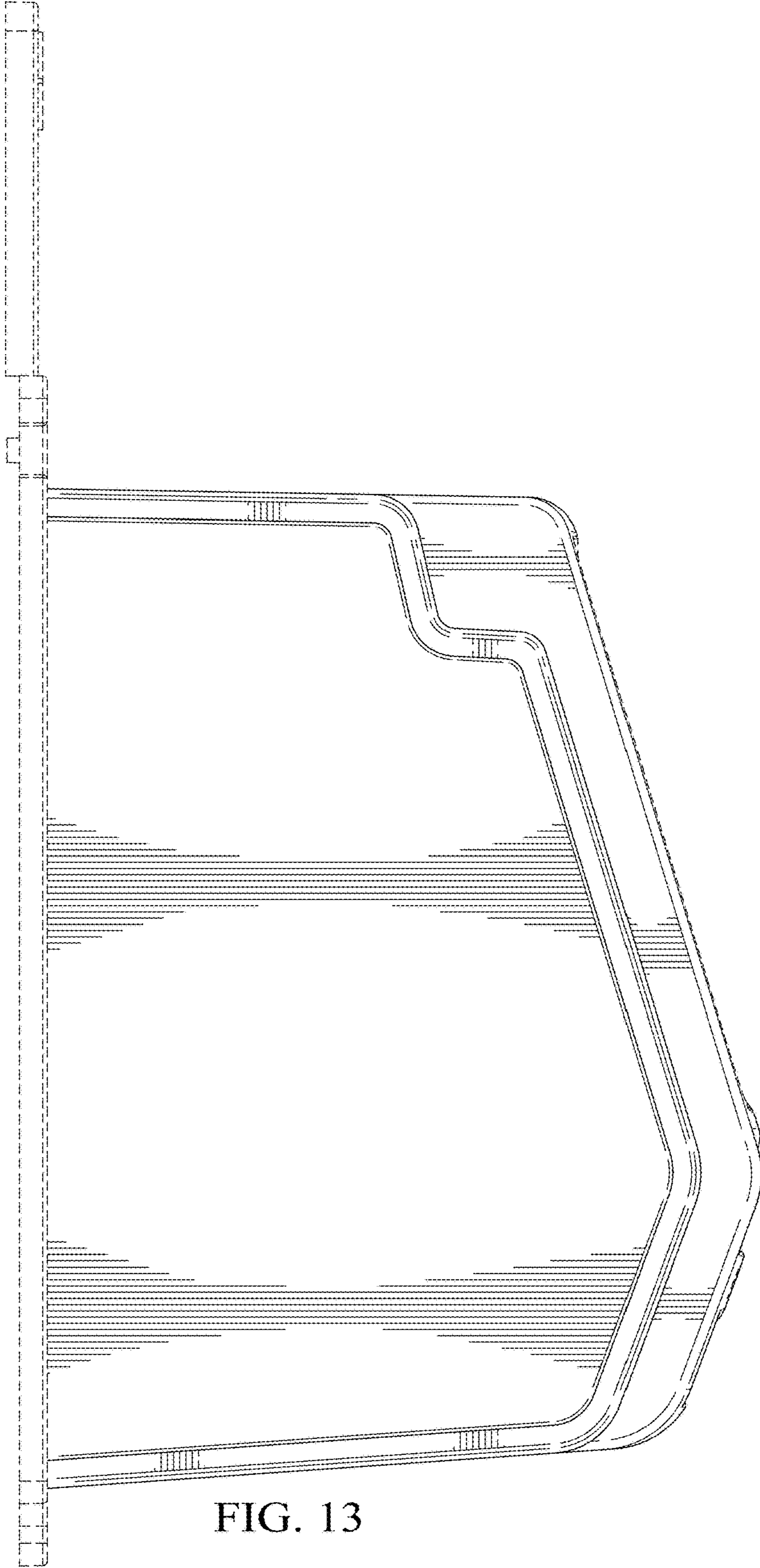


FIG. 13

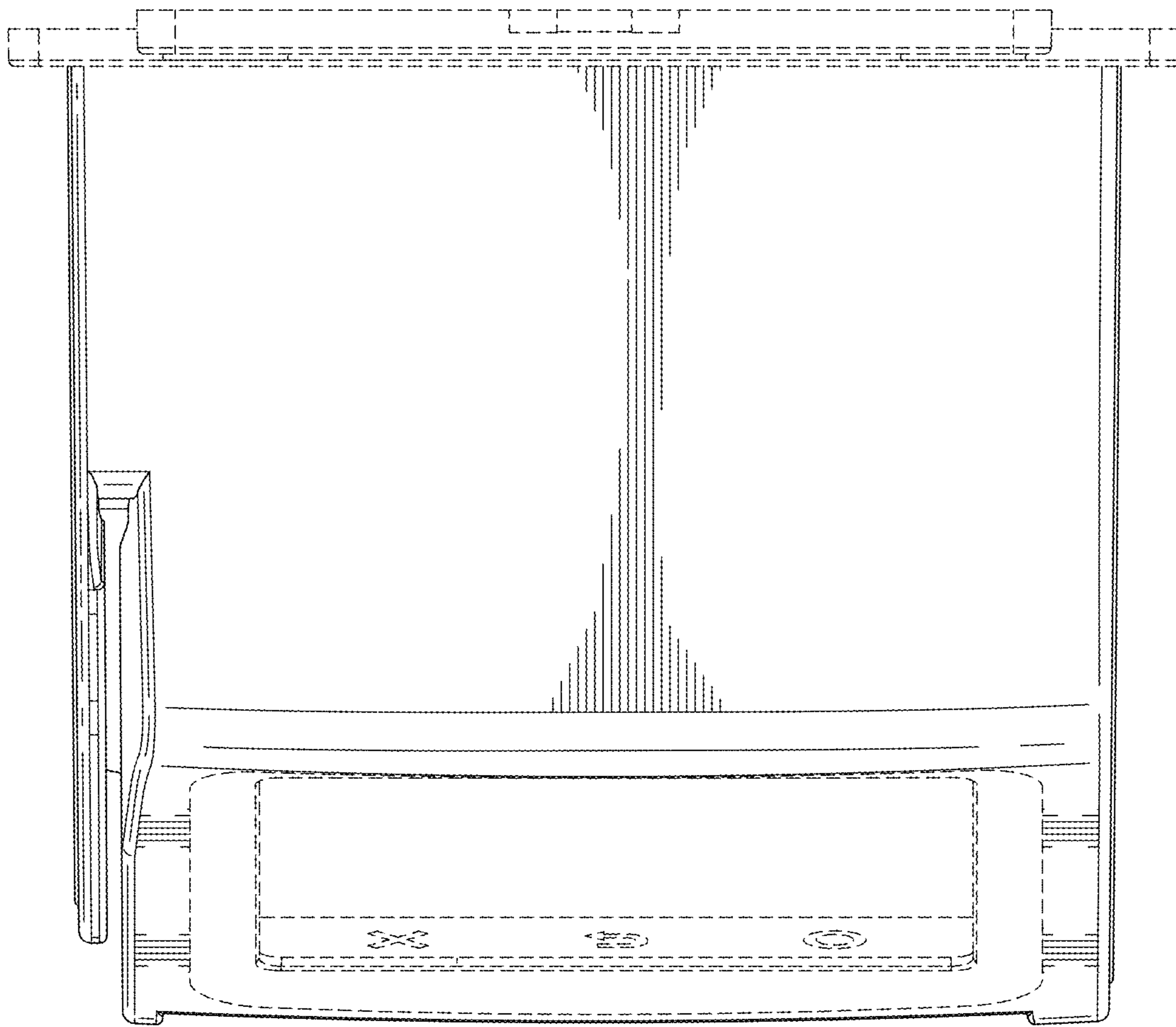


FIG. 14

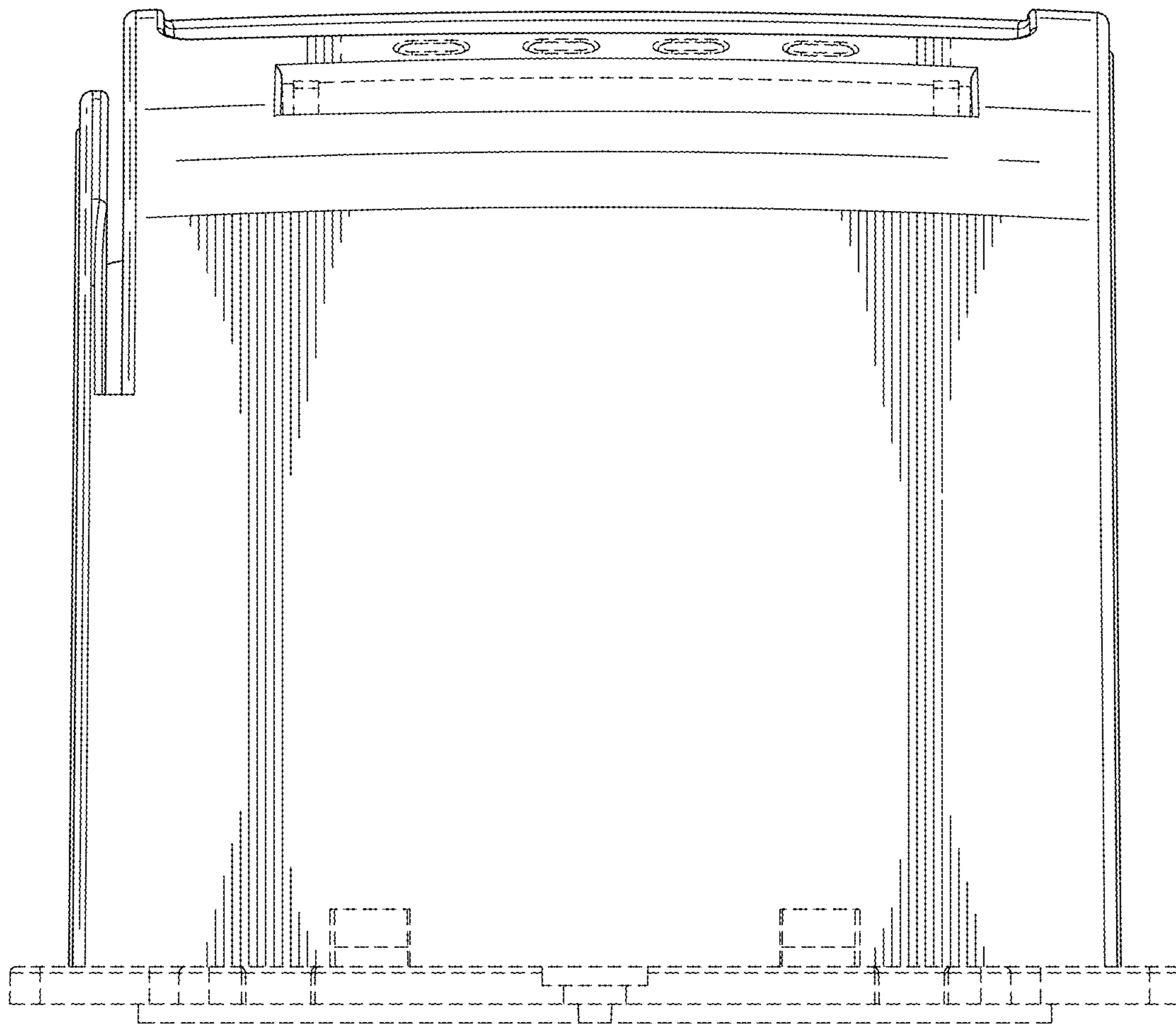


FIG. 15

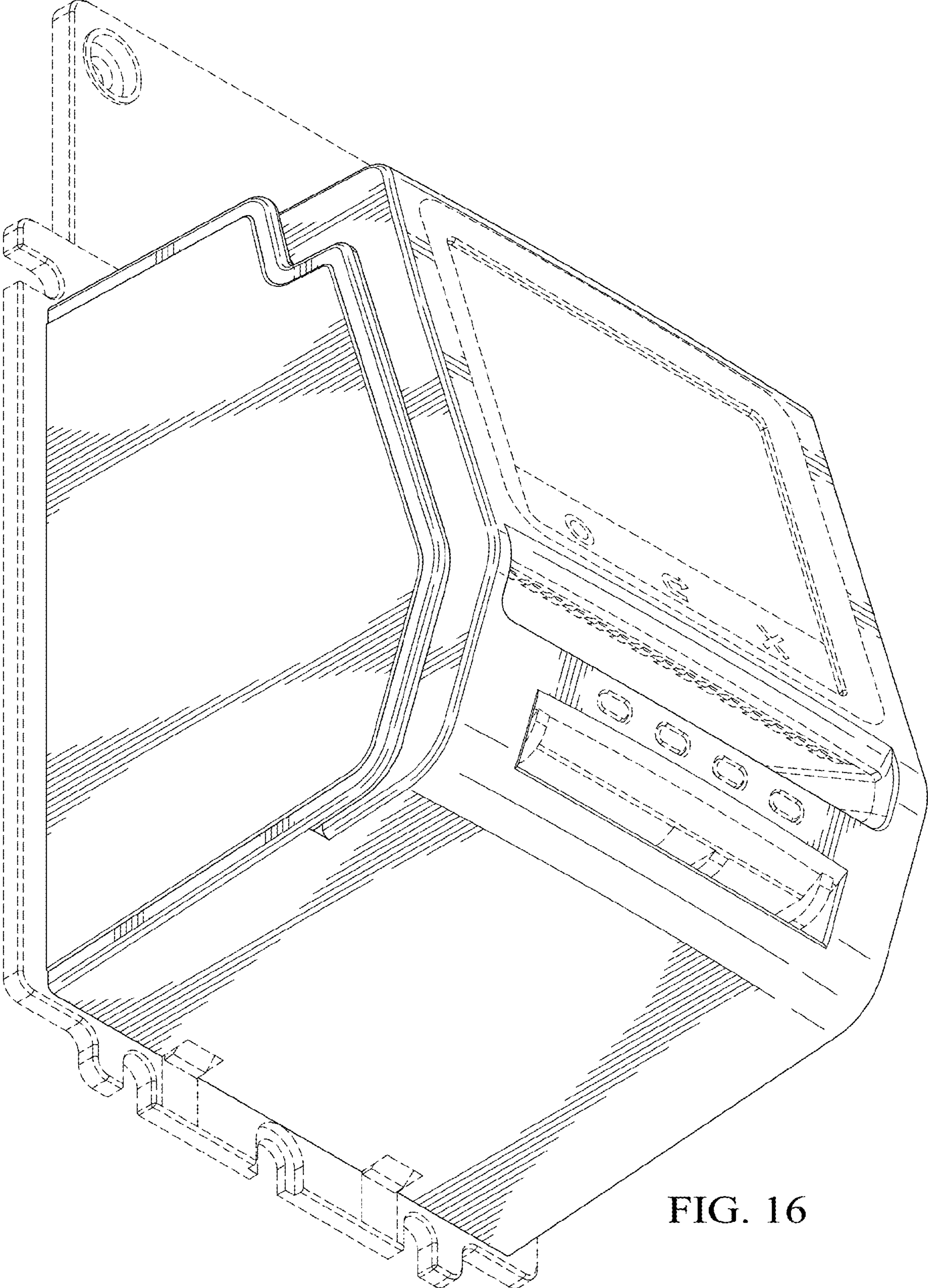


FIG. 16