



US00D889763S

(12) **United States Design Patent** (10) **Patent No.:** **US D889,763 S**
Olson (45) **Date of Patent:** **** Jul. 7, 2020**

(54) **FRONT-LOADED INSULATED TRANSPORT CABINET**

D255,312 S * 6/1980 Uyeda D7/605
 4,845,959 A 7/1989 Magee
 D357,600 S 4/1995 Chen
 D381,166 S * 7/1997 Bonazza D34/19
 5,697,500 A 12/1997 Walker
 D393,128 S 3/1998 Maddux

(71) Applicant: **InterMetro Industries Corporation**,
Wilkes-Barre, PA (US)

(72) Inventor: **Jeffrey C. Olson**, Dallas, PA (US)

(73) Assignee: **INTERMETRO INDUSTRIES CORPORATION**, Wilkes-Barre, PA (US)

(**) Term: **15 Years**

(21) Appl. No.: **29/645,173**

(22) Filed: **Apr. 24, 2018**

Related U.S. Application Data

(62) Division of application No. 29/593,335, filed on Feb. 8, 2017, now Pat. No. Des. 844,277.

(51) **LOC (12) Cl.** **12-02**

(52) **U.S. Cl.**
USPC **D34/19; D7/605**

(58) **Field of Classification Search**
 USPC D7/605, 607, 608, 387; D3/273, 274,
 D3/277, 276, 284, 289, 287, 301, 304,
 D3/315, 318, 902, 314; D34/19, 20
 CPC .. A45C 5/04; A45C 5/045; A45C 5/08; A45C
 7/0077; A45C 11/20; A45C 2200/20;
 A45C 5/14; A45C 7/0036; A45C 9/00;
 A45C 13/02; A45C 15/00; A45C
 2003/008; A45C 3/14; A45C 7/0068;
 F25D 3/08; B62B 2202/52; A47G 9/1045;
 A47B 31/00; A47B 2031/002

See application file for complete search history.

(56) **References Cited**

U.S. PATENT DOCUMENTS

1,490,575 A 4/1924 Masury
 3,782,765 A 1/1974 Wallyn

OTHER PUBLICATIONS

“Half-Height Heated Transport Cabinets* TC90 FlavorHold™ Series”
InterMetro [Catalog], InterMetro Industries Corporation, Oct. 2011,
two pages.

(Continued)

Primary Examiner — April Rivas

(74) *Attorney, Agent, or Firm* — Harness, Dickey &
Pierce, P.L.C.

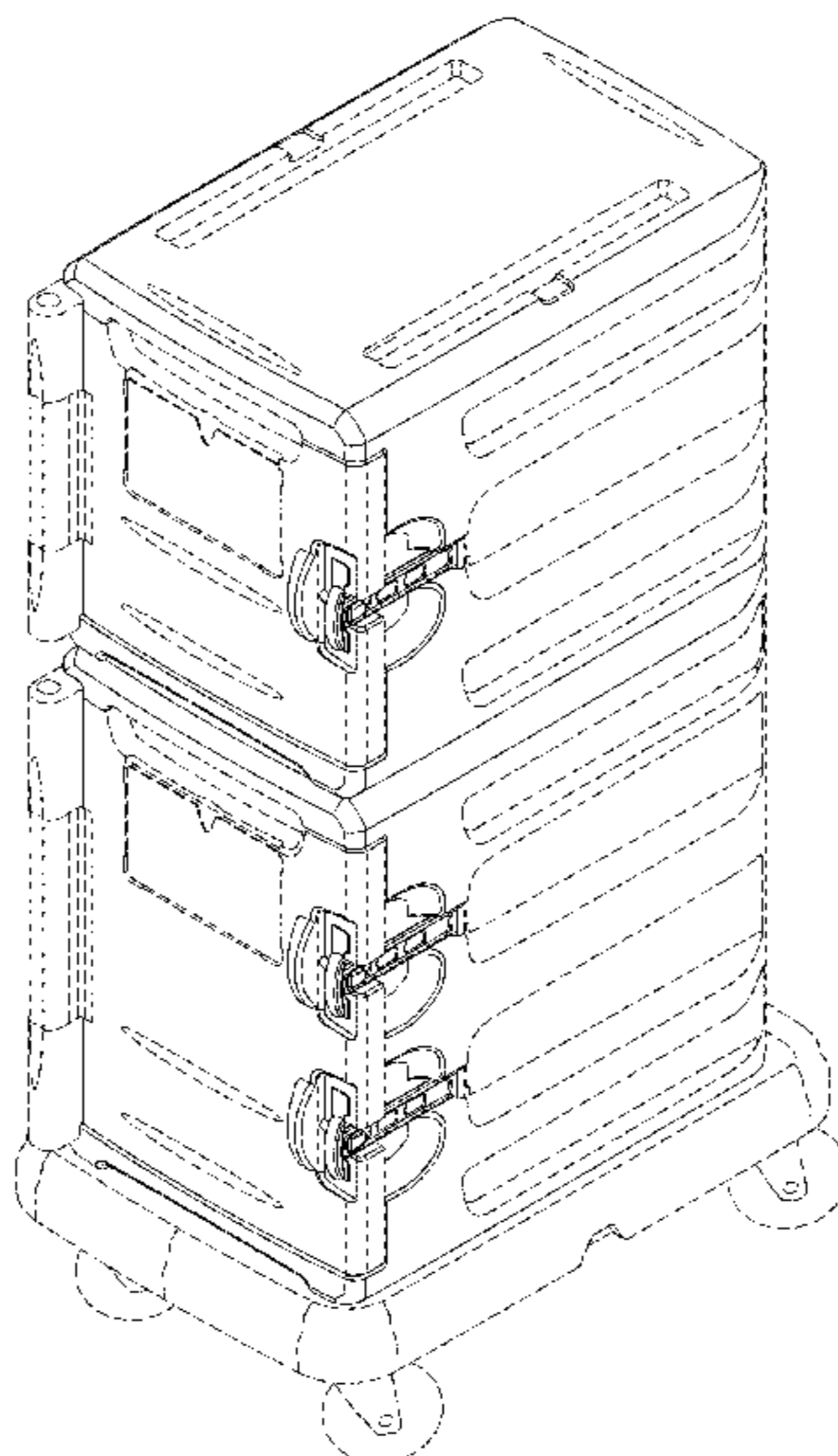
(57) **CLAIM**

The ornamental design for a front-loaded insulated transport cabinet, as shown and described.

DESCRIPTION

FIG. 1 is a front-right isometric view of the front-loaded insulated transport cabinet of the disclosure;
 FIG. 2 is a front view of the front-loaded insulated transport cabinet of FIG. 1;
 FIG. 3 is a back view of the front-loaded insulated transport cabinet of FIG. 1;
 FIG. 4 is a top view of the front-loaded insulated transport cabinet of FIG. 1;
 FIG. 5 is an enlarged detail view of a portion of the top view of FIG. 4 of the front-loaded insulated transport cabinet of FIG. 1; and,
 FIG. 6 is a left side view of the front-loaded insulated transport cabinet of FIG. 1.
 The broken lines in the drawings represent portions of the front-loaded insulated transport cabinet that form no part of the claimed design.

1 Claim, 5 Drawing Sheets



(56)

References Cited

U.S. PATENT DOCUMENTS

D398,727 S 9/1998 Maddux
 5,890,613 A 4/1999 Williams
 5,908,213 A 6/1999 Tippetts et al.
 D440,369 S * 4/2001 LaFollette, Jr. D34/19
 6,398,272 B1 6/2002 Plummer et al.
 7,134,552 B1 * 11/2006 McDonagh A47J 47/14
 206/545
 D573,400 S 7/2008 Olson
 7,458,441 B2 12/2008 Hu
 D605,899 S 12/2009 Meether
 D637,373 S 5/2011 Benning
 D647,751 S 11/2011 Olson
 D679,467 S 4/2013 Nicholson
 D679,468 S * 4/2013 Nicholson D34/19
 D697,685 S 1/2014 Maddux
 8,910,819 B2 12/2014 Seiders
 D723,237 S * 2/2015 Maddux D34/12
 D767,230 S * 9/2016 Olson D34/19
 D781,583 S 3/2017 Bowen
 D785,410 S * 5/2017 Jarvis D7/601
 D786,607 S * 5/2017 Maddux D7/323
 10,130,171 B2 * 11/2018 Olson A47B 31/00
 D844,277 S * 3/2019 Olson D34/19
 10,349,740 B2 7/2019 Olson et al.
 2003/0150768 A1 8/2003 Dege
 2006/0032860 A1 2/2006 Hase
 2006/0070814 A1 4/2006 Hu
 2011/0220531 A1 9/2011 Meether
 2012/0104001 A1 5/2012 Kulzer
 2013/0270988 A1 10/2013 Nicholson

2013/0307387 A1 11/2013 Dufoure
 2014/0352929 A1 12/2014 Wu et al.
 2016/0251124 A1 9/2016 Arnold et al.
 2016/0370082 A1 12/2016 Olivo

OTHER PUBLICATIONS

“Metro C5 3 Series Insulation Armour™ Heated Holding and Proofing Cabinets” InterMetro [Catalog], InterMetro Industries Corporation, May 2012, two pages.
 “Metro C5 4 Series Insulation Armour™ Plus Transport Cabinets” InterMetro [Catalog], InterMetro Industries Corporation, May 2016, two pages.
 “Metro C5 T-Series Transport Armour™ Heavy-Duty Heated Holding Cabinet” InterMetro [Catalog], InterMetro Industries Corporation, Feb. 2011, two pages.
 Metro, “Mightylite Insulated Pan Carriers”, Accessed Jan. 25, 2018. (<http://www.metro.com/mightylite-pan-carriers>).
 Google shopping search result “Carlisle PC600N59—Food Carrier, Slate Blue, End Loader”, Reviewed first on Sep. 24, 2012. (https://www.google.com/shopping/product/12447416843914247339?q=mightylite%20pan&rlz=1C1GGRV_enUS768US768&biw=1536&bih=871&sa=X&ved=0ahUKEwjD0K3_9_PYAhUS0FMKHXC0DgYQrRIIVA&prds=hsec:reviews).
 Google image search results for “insulated food cart”. Search made on Feb. 16, 2018. (https://www.google.com/search?q=insulated+food+cart&rlz=1C1GGRV_enUS768US768&source=lnms&tbm=isch&sa=X&ved=0ahUKEwjD0K3_9_PYAhXB21MKHbt3BIMQ_AUICygC&biw=1536&bih=871#imgrc=_).

* cited by examiner

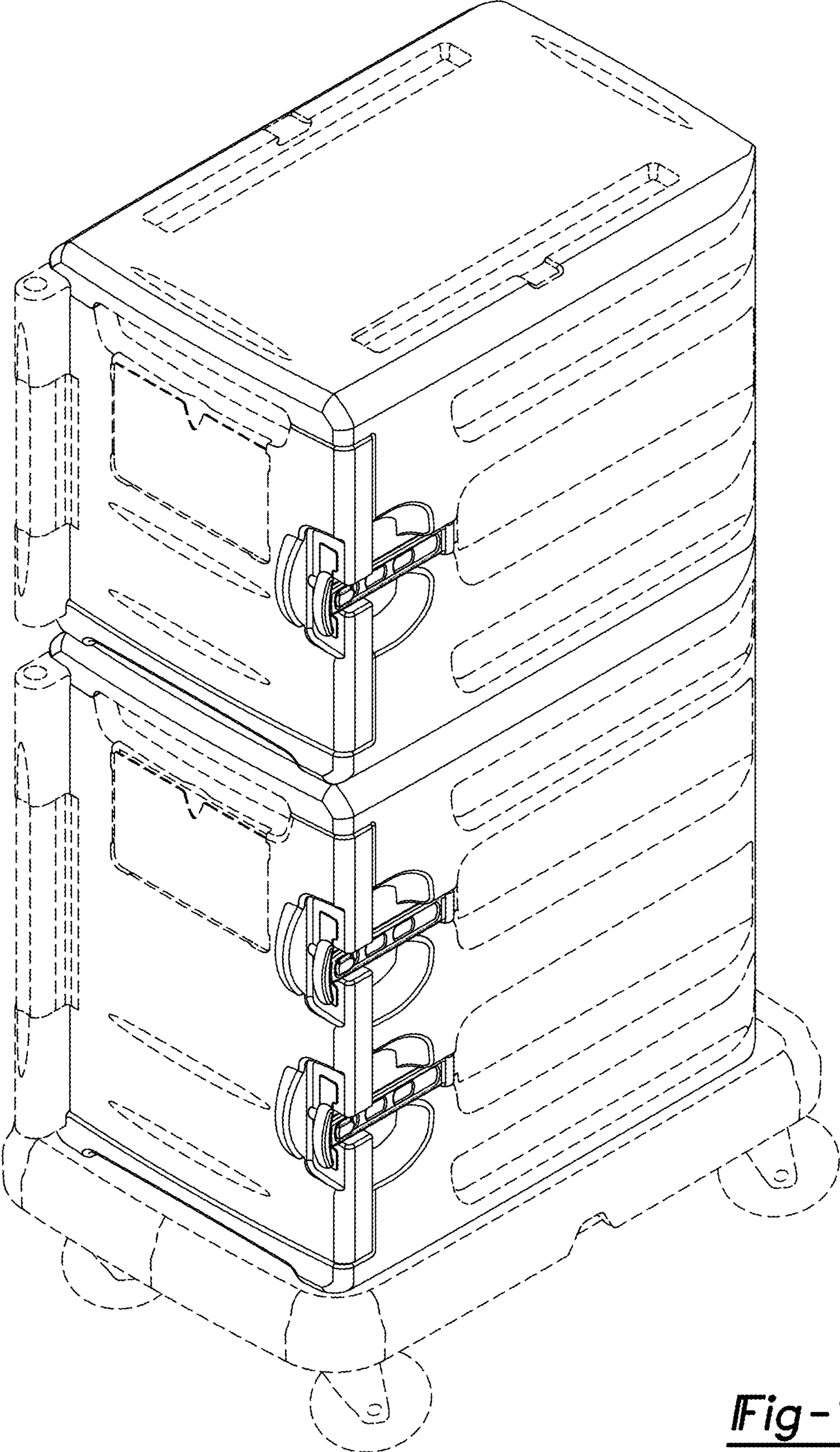


Fig-1

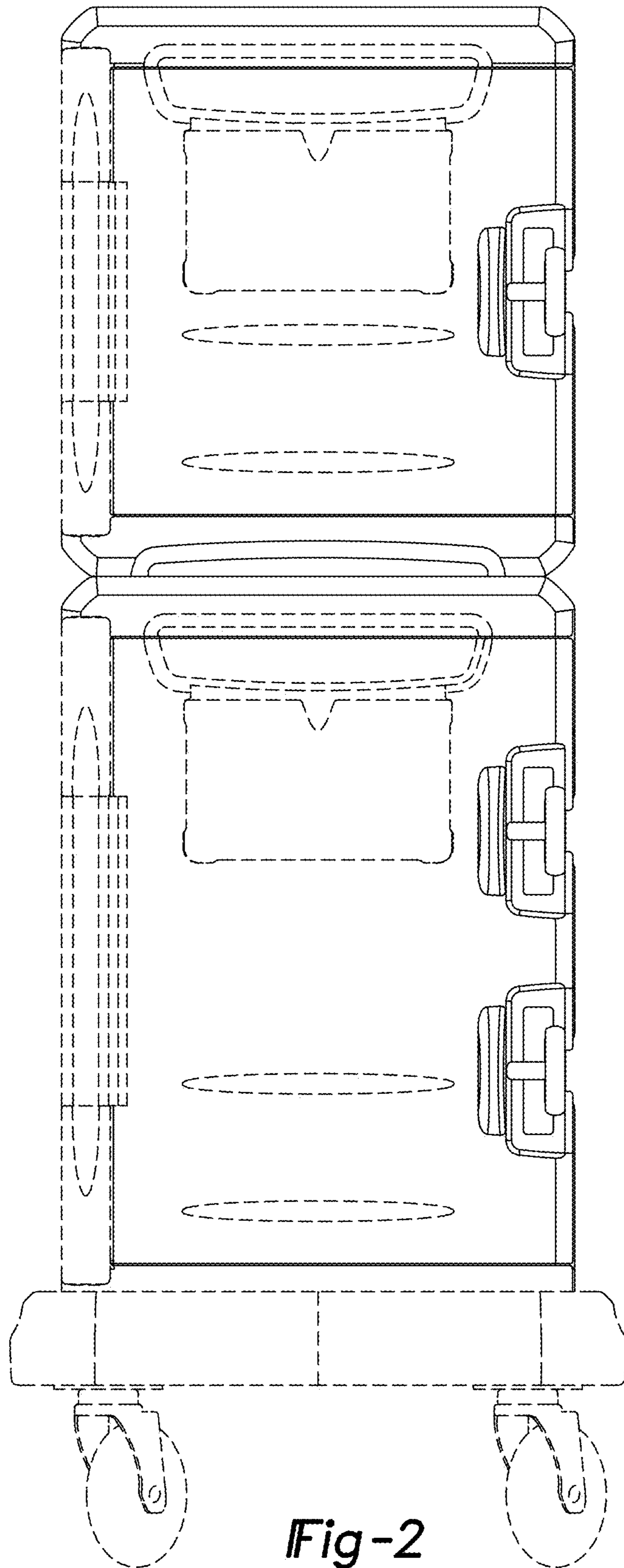


Fig-2

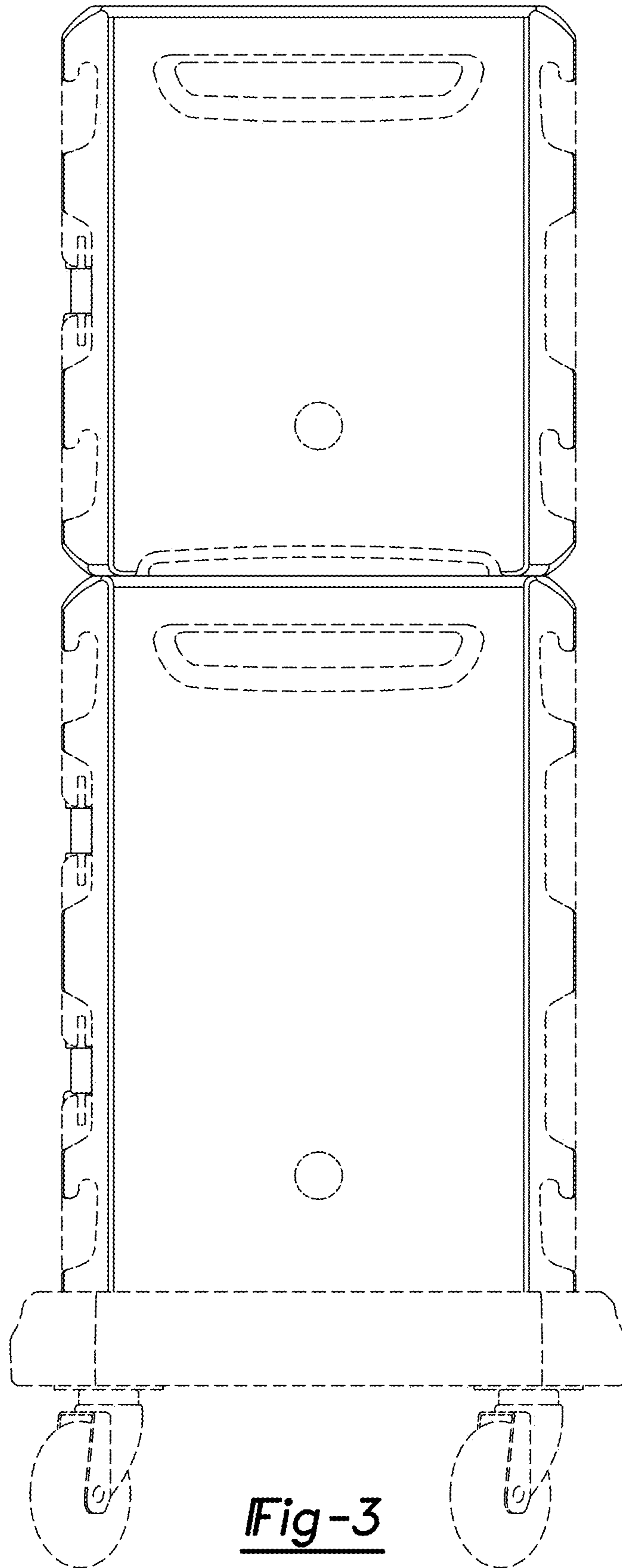


Fig-3

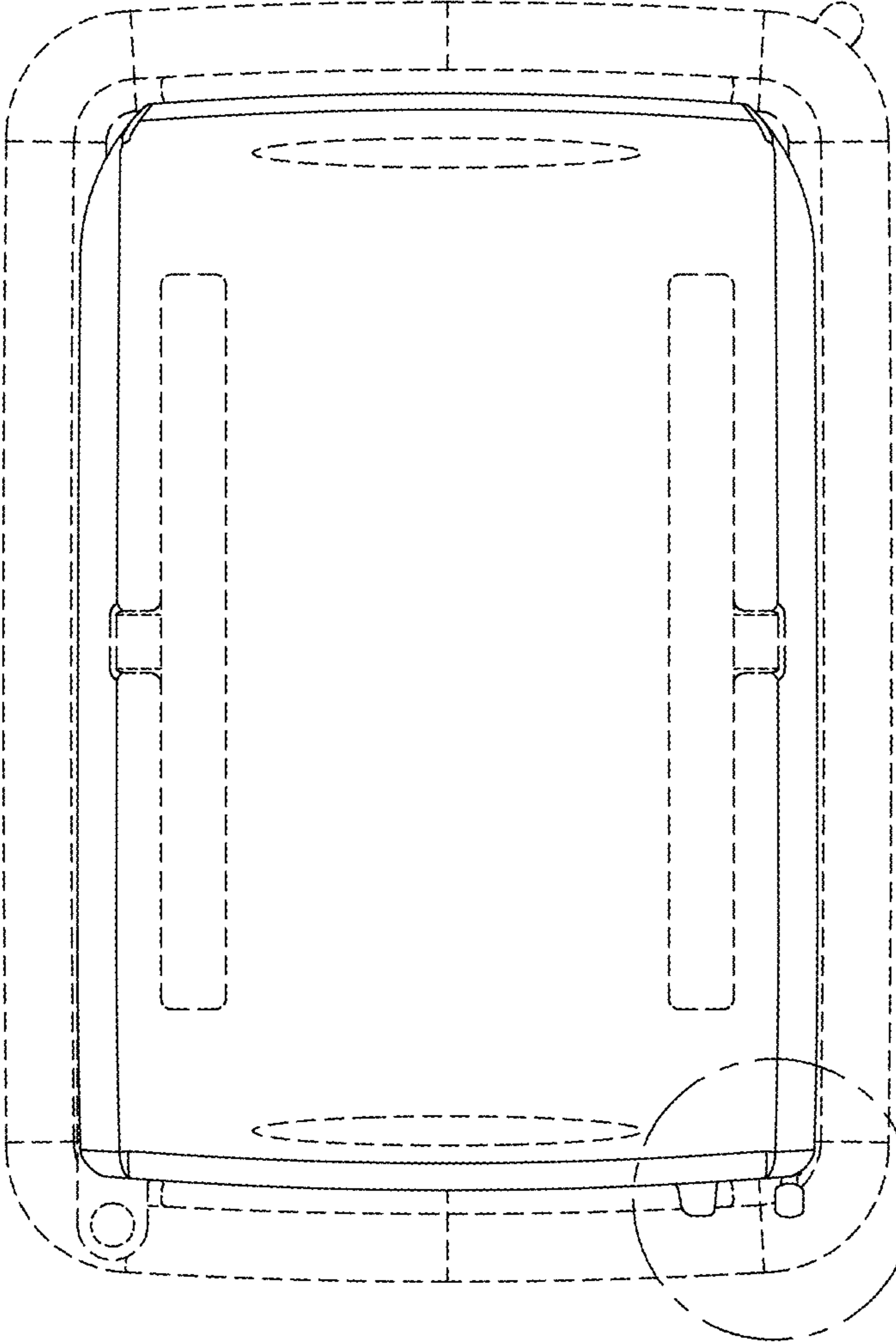


Fig-4

5

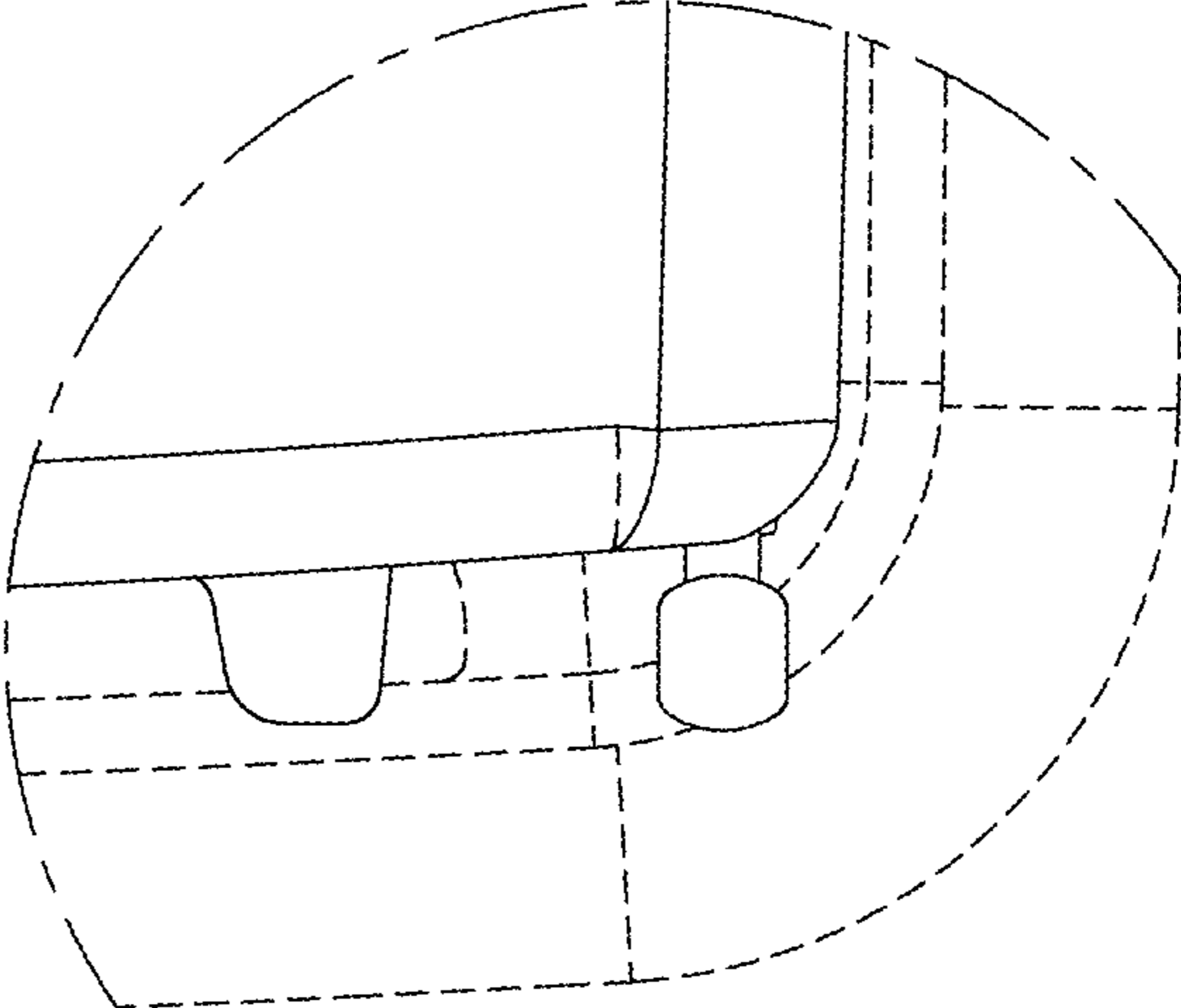


Fig-5

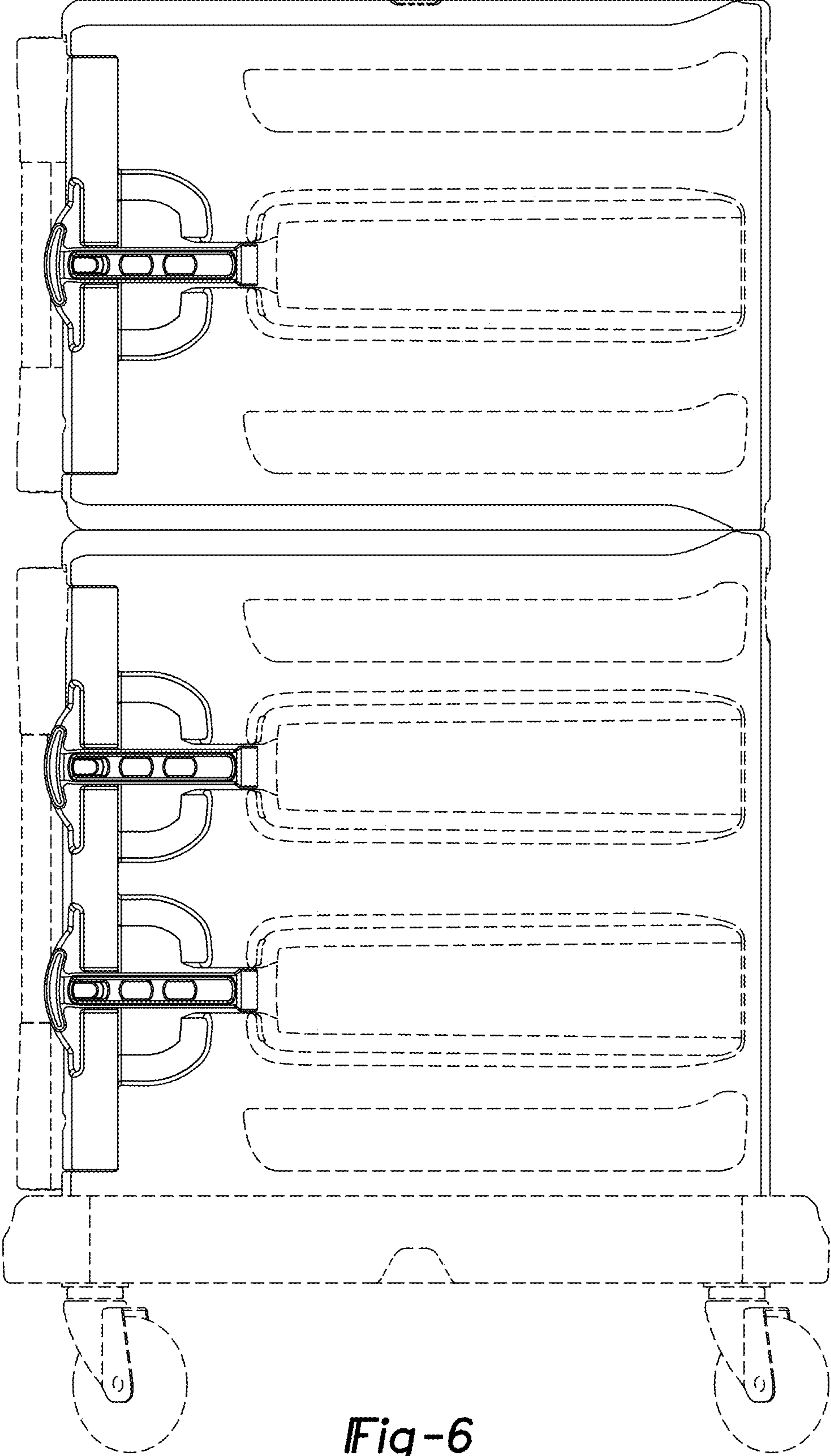


Fig-6