



US00D889762S

(12) **United States Design Patent**
Taylor

(10) **Patent No.:** **US D889,762 S**

(45) **Date of Patent:** **** Jul. 7, 2020**

(54) **COMPACTOR BUGGY**

(71) Applicant: **James A. Taylor**, Bend, OR (US)

(72) Inventor: **James A. Taylor**, Bend, OR (US)

(**) Term: **15 Years**

(21) Appl. No.: **29/651,700**

(22) Filed: **Jan. 18, 2019**

(51) **LOC (12) Cl.** **12-02**

(52) **U.S. Cl.**
USPC **D34/12**

(58) **Field of Classification Search**
USPC D34/12, 13, 14, 15, 16, 17, 18, 19, 20,
D34/23, 24, 25, 26, 27, 28, 33, 34
CPC B60P 1/00
See application file for complete search history.

(56) **References Cited**

U.S. PATENT DOCUMENTS

- 3,368,827 A * 2/1968 Dashew B62D 63/061
280/401
- 3,416,417 A * 12/1968 McIlrath E02D 3/046
404/85
- 3,461,970 A * 8/1969 Bodine A01B 11/00
172/1
- D218,884 S * 10/1970 Mason, Jr. D12/97
- 3,834,827 A * 9/1974 Linz E02D 3/068
404/133.05
- D273,099 S * 3/1984 Koch D12/105
- D277,086 S * 1/1985 Dudley D12/101
- D277,658 S * 2/1985 King D12/101
- D278,615 S * 4/1985 Law D12/101
- D287,779 S * 1/1987 Slany D3/279
- D302,065 S * 7/1989 Weale D34/24
- D310,746 S * 9/1990 Berfield D34/12
- D332,270 S * 1/1993 Hefty D15/10
- D343,938 S * 2/1994 Liverman D34/24
- D349,994 S * 8/1994 Schurr D34/12
- D376,238 S * 12/1996 Tsai D34/24

- D402,233 S * 12/1998 Warlick D12/101
- D427,406 S * 6/2000 Hartwall D34/12
- D492,076 S * 6/2004 Kollen D34/21
- 6,783,147 B1 * 8/2004 Green, Sr. B62B 1/20
280/47.26
- 6,837,648 B1 * 1/2005 Wadensten E01C 19/283
404/117
- 6,896,272 B1 * 5/2005 Burton B62B 3/00
119/496

(Continued)

OTHER PUBLICATIONS

Smith sps10 walk behind carifier, announced 2020 [online], [site visited Mar. 5, 2020]. Available from internet, URL: <https://www.patriotequipment.us/product/smith-sps10-gasoline-walk-behind-scarifier/> (Year: 2020).*

(Continued)

Primary Examiner — Kevin K Rudzinski

Assistant Examiner — Tamara L Hahn

(74) *Attorney, Agent, or Firm* — Paul R. Martin

(57) **CLAIM**

The ornamental design for a compactor buggy, as shown and described.

DESCRIPTION

FIG. 1 is a perspective view of the compactor buggy of my new design.

FIG. 2 is another perspective view thereof.

FIG. 3 is a front elevational view thereof.

FIG. 4 is a back elevational view thereof.

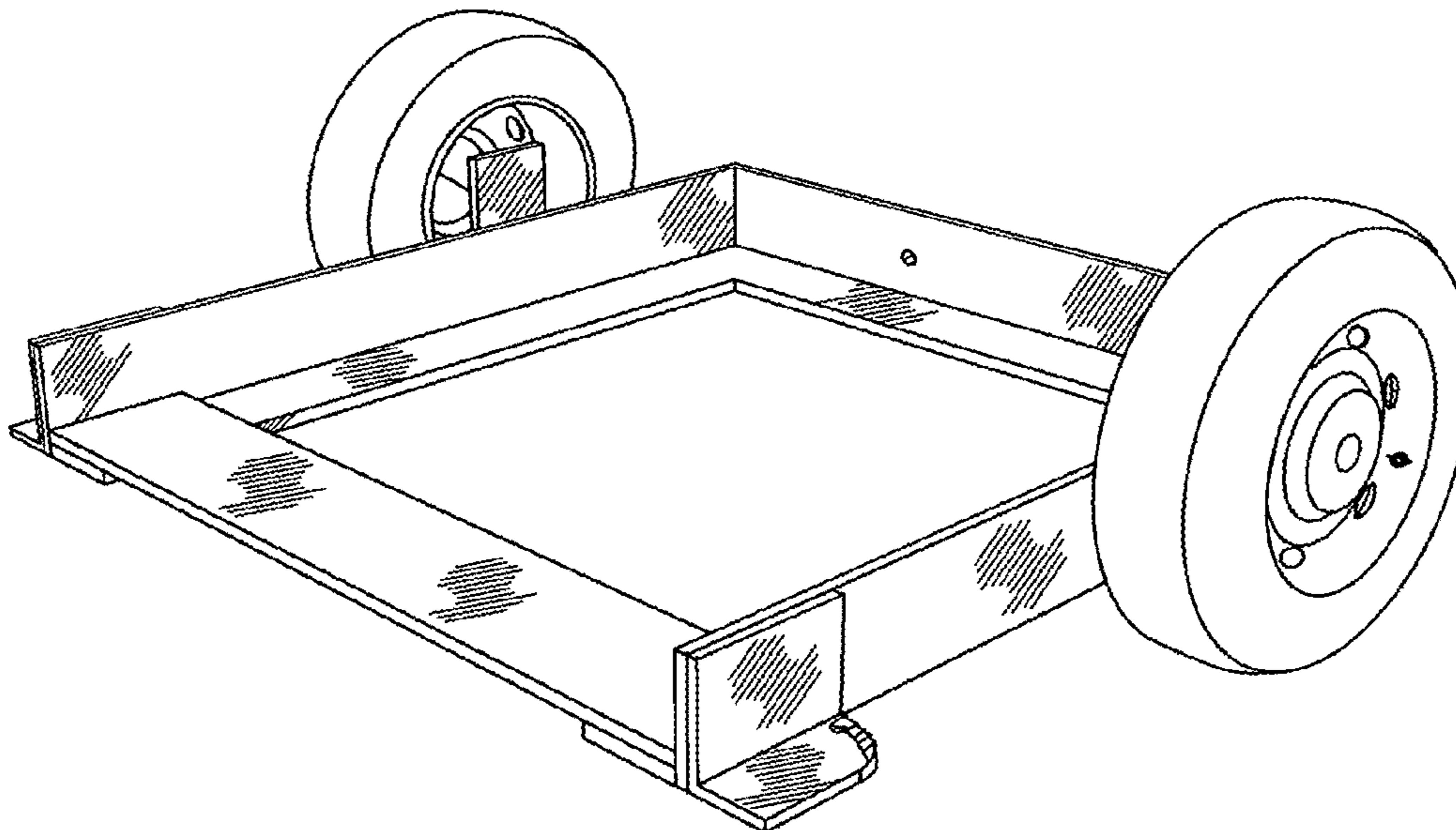
FIG. 5 is a left side elevational view thereof.

FIG. 6 is a right side elevational view thereof; and,

FIG. 7 is a bottom plan view thereof.

The broken line element situated on the top surface of the buggy of my design, illustrating a compactor, is an environmental element and forms no part of my new design.

1 Claim, 8 Drawing Sheets



(56)

References Cited

U.S. PATENT DOCUMENTS

D518,070	S	*	3/2006	Schennach	D15/20
D523,608	S	*	6/2006	Brubacher	D34/24
D565,824	S	*	4/2008	Mueller	D22/113
D600,873	S	*	9/2009	Banasik	D34/23
D604,334	S	*	11/2009	Hu	D15/20
D604,335	S	*	11/2009	Hu	D15/20
D664,734	S	*	7/2012	Connelly	D34/27
D676,623	S	*	2/2013	Huntley	D34/24
D679,466	S	*	4/2013	McCullough	D34/17
D760,122	S	*	6/2016	Guidry	D12/101
D778,521	S	*	2/2017	Bell	D34/16
D788,640	S	*	6/2017	Larsson	D12/7
D797,396	S	*	9/2017	Bettcher, III	D34/31
D798,001	S	*	9/2017	Seeds	A01K 1/01 D30/161
D828,670	S	*	9/2018	Hirtz	D34/18
10,279,827	B1	*	5/2019	Mason	B62B 3/0606
D854,053	S	*	7/2019	Kraushaar	D15/20
10,392,043	B2	*	8/2019	Guerdrum	B62B 5/067
D866,903	S	*	11/2019	Lundin	D34/12
D873,720	S	*	1/2020	Carter	D12/101
2006/0119059	A1	*	6/2006	O'Connor	B25H 3/00 280/47.35

2007/0187915	A1	*	8/2007	Filiatrault	B62B 1/14 280/47.131
2008/0003058	A1	*	1/2008	Persson	E01C 19/238 404/133.1
2008/0061522	A1	*	3/2008	Zimmermann	B62B 5/0083 280/47.12
2008/0101898	A1	*	5/2008	Hernandez	B60B 29/002 414/426
2010/0061803	A1	*	3/2010	Hickmann	E01C 19/35 404/133.1
2016/0207558	A1	*	7/2016	Frankenberg	B62B 11/00
2019/0330812	A1	*	10/2019	Ptacek	B28B 7/20
2019/0337548	A1	*	11/2019	Colton	B25H 5/00

OTHER PUBLICATIONS

MVC88 Plate Compactor, announced 2020 [online], [site visited Mar. 5, 2020]. Available from internet, URL: <https://www.contractorsdirect.com/accessories-mvc88-plate-compact> (Year: 2020).*

196cc Plate Compactor, announced 2020 [online], [site visited Mar. 5, 2020]. Available from internet, URL: https://www.usedvictoria.com/classified-ad/196cc-Plate-Compactor_32670777 (Year: 2020).*

* cited by examiner

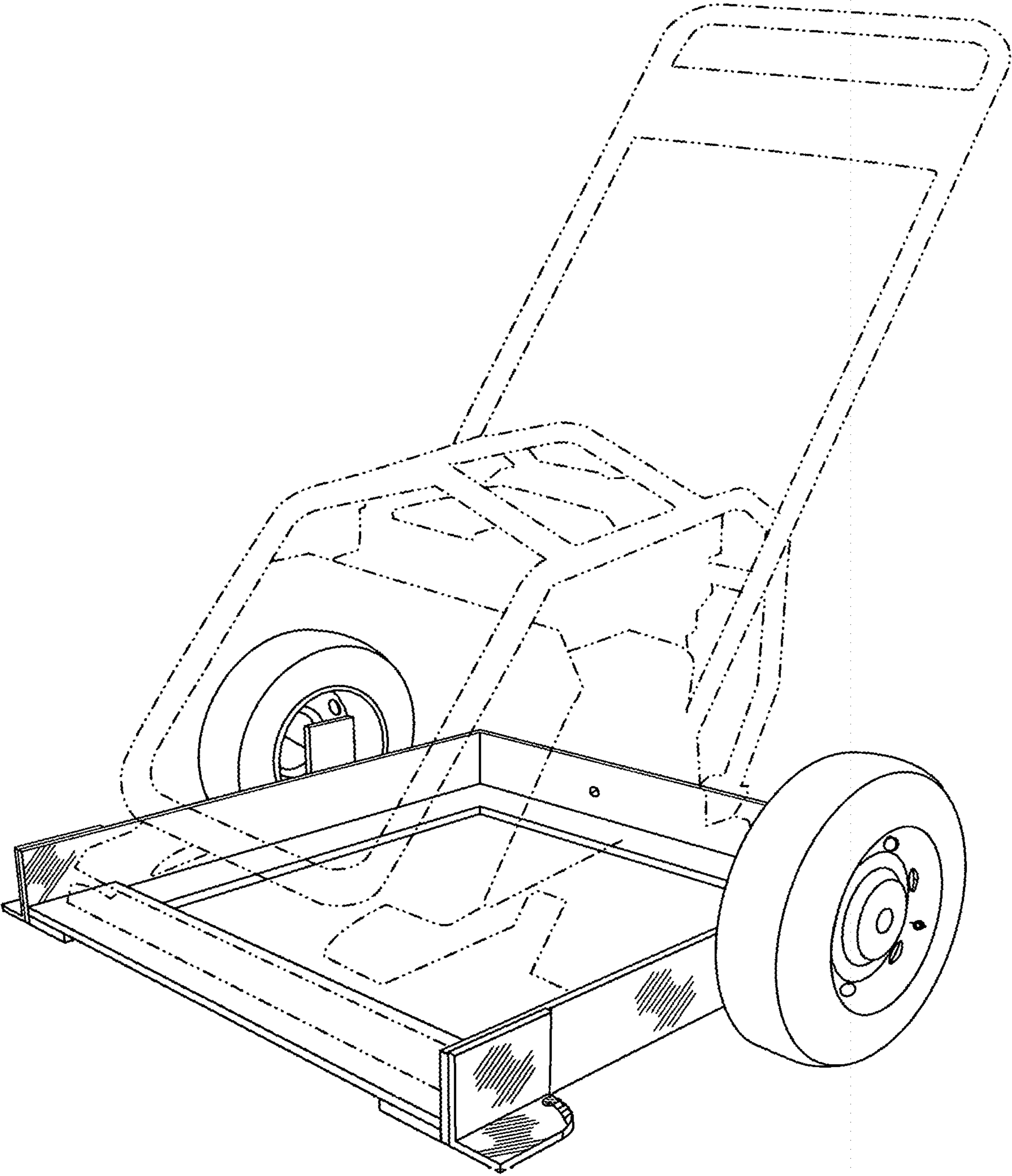


FIG. 1

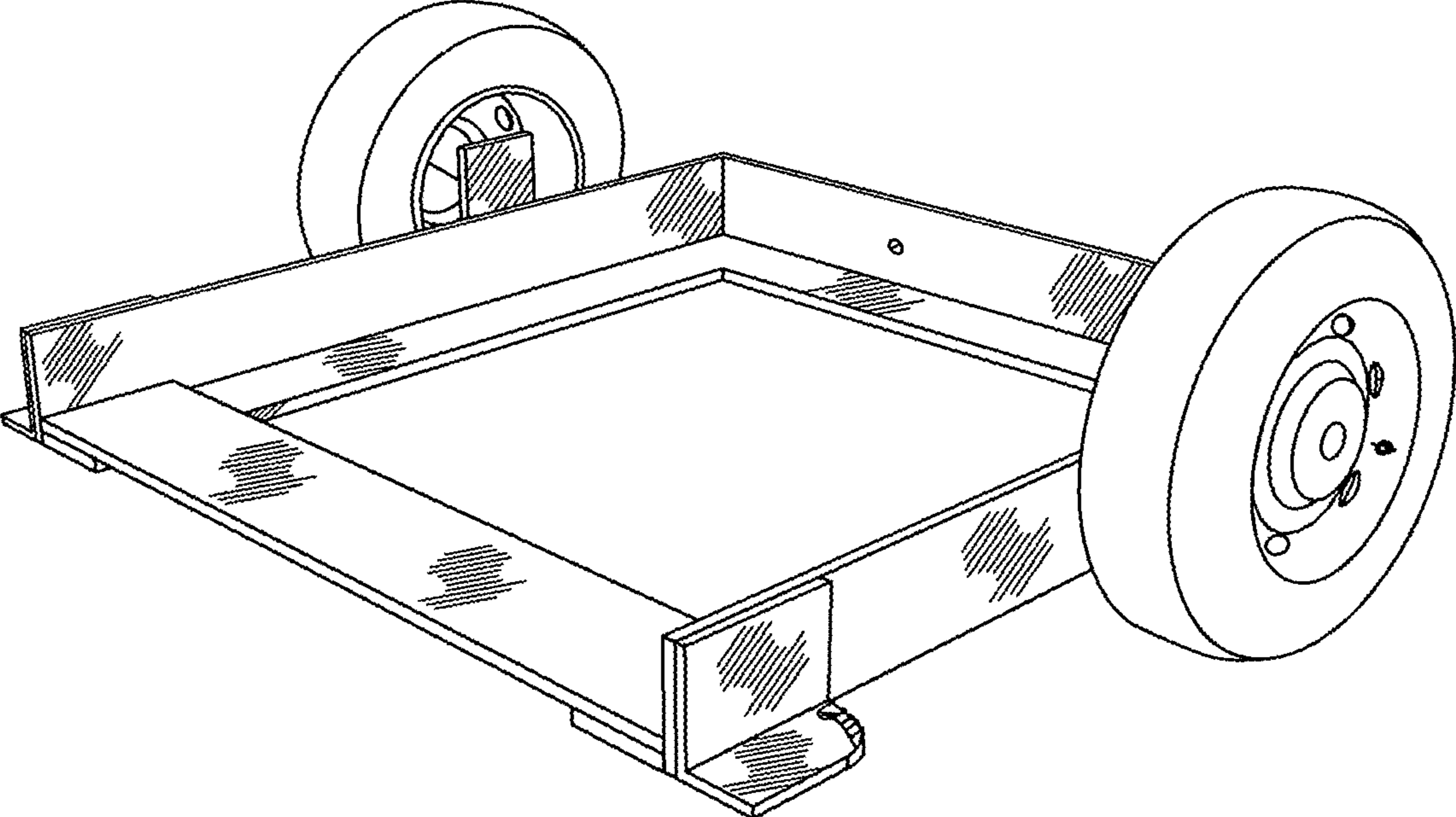


FIG. 2

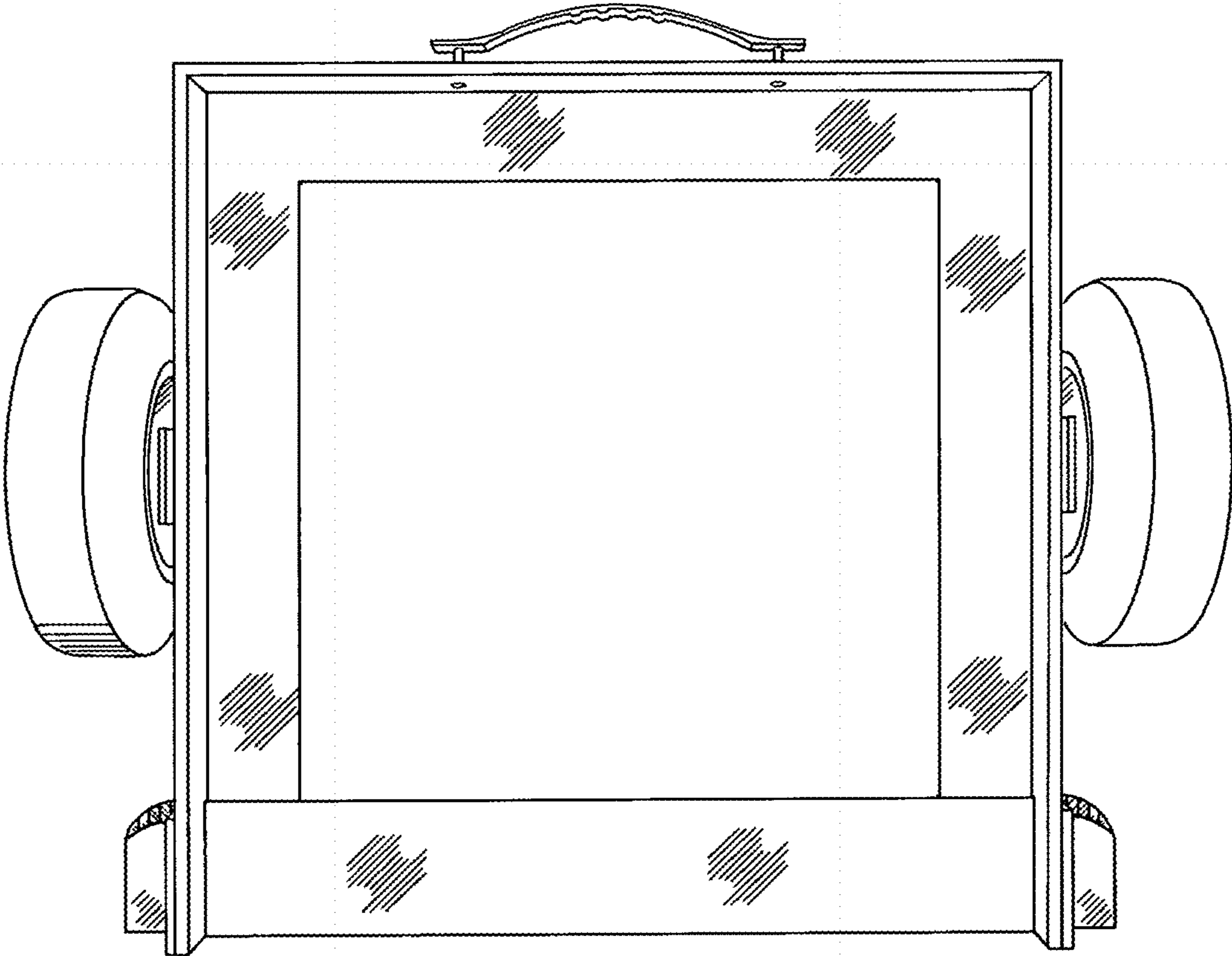


FIG. 3

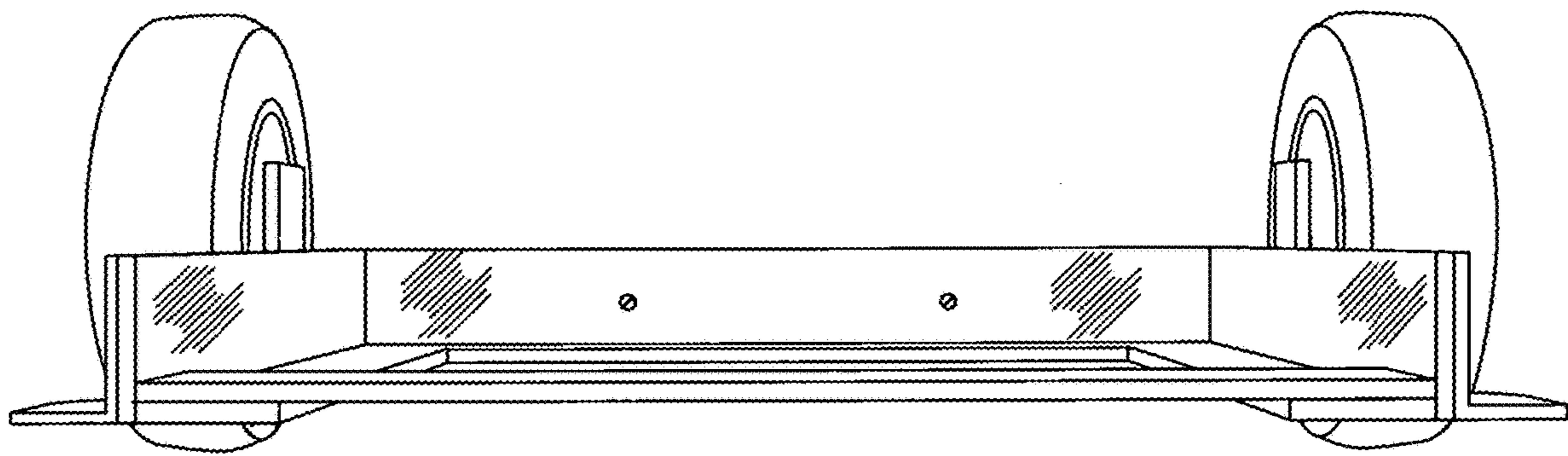


FIG. 4

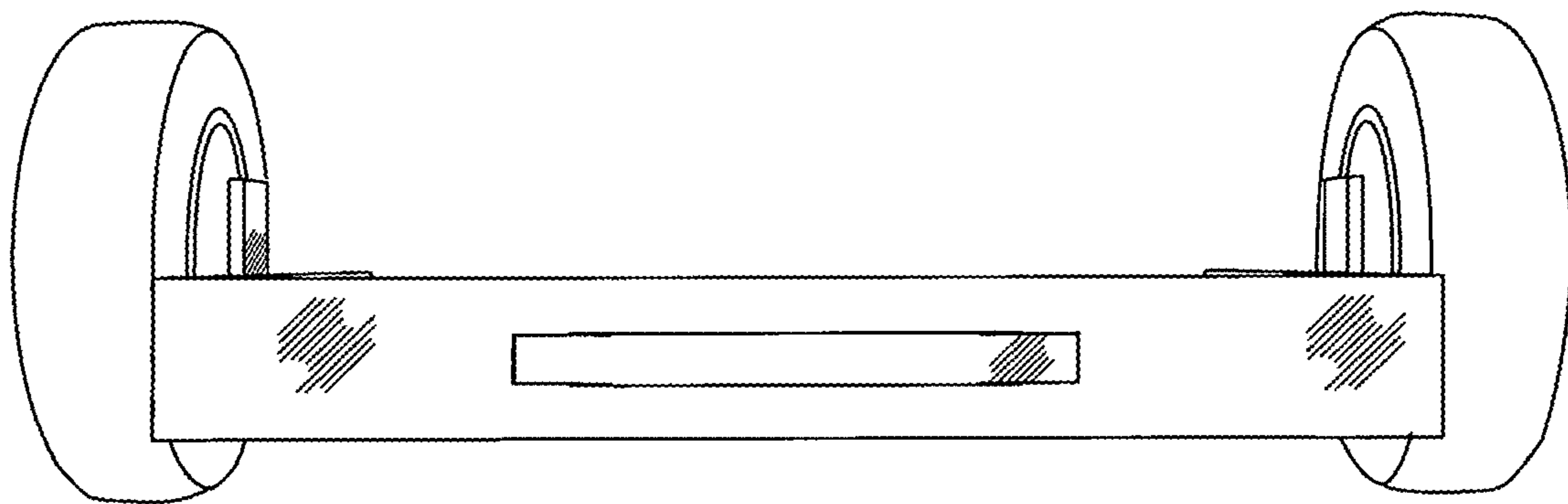


FIG. 5

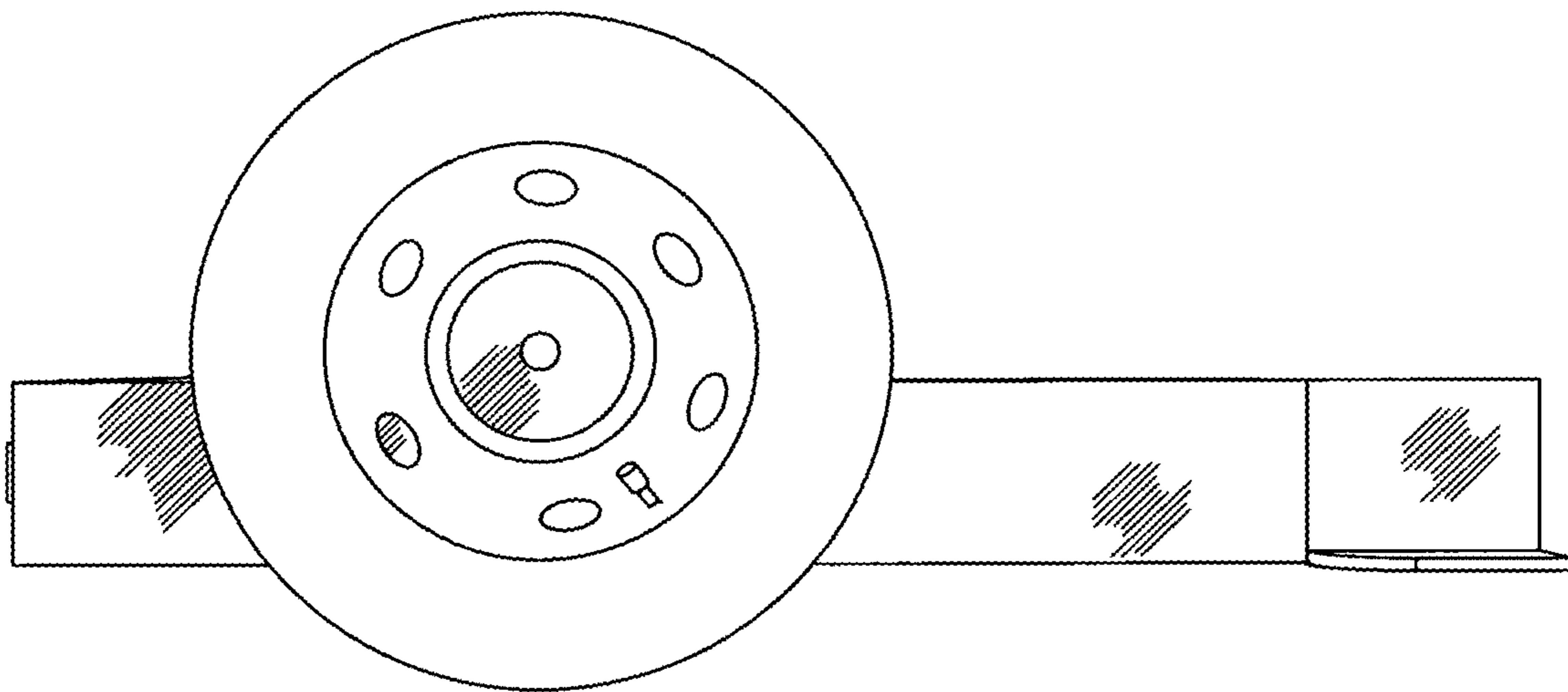


FIG.6

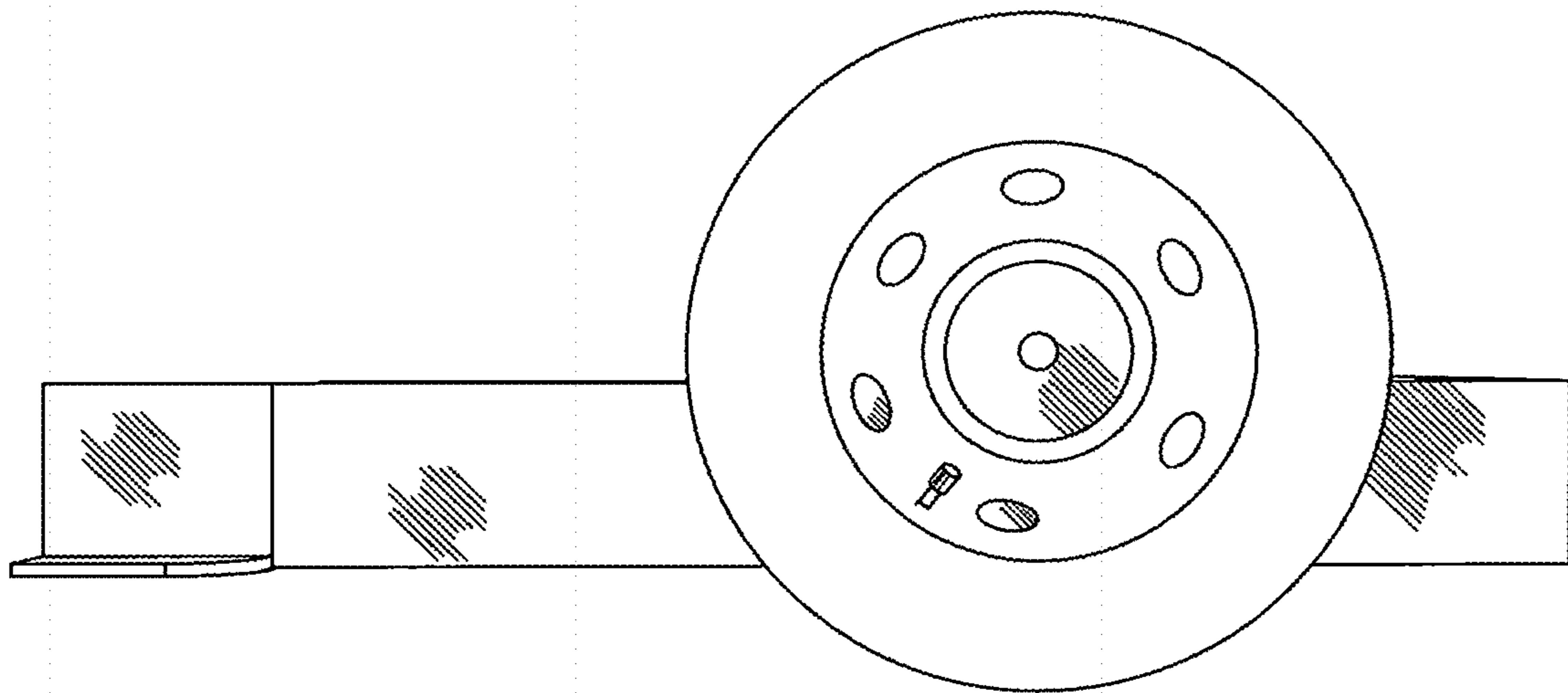


FIG. 7

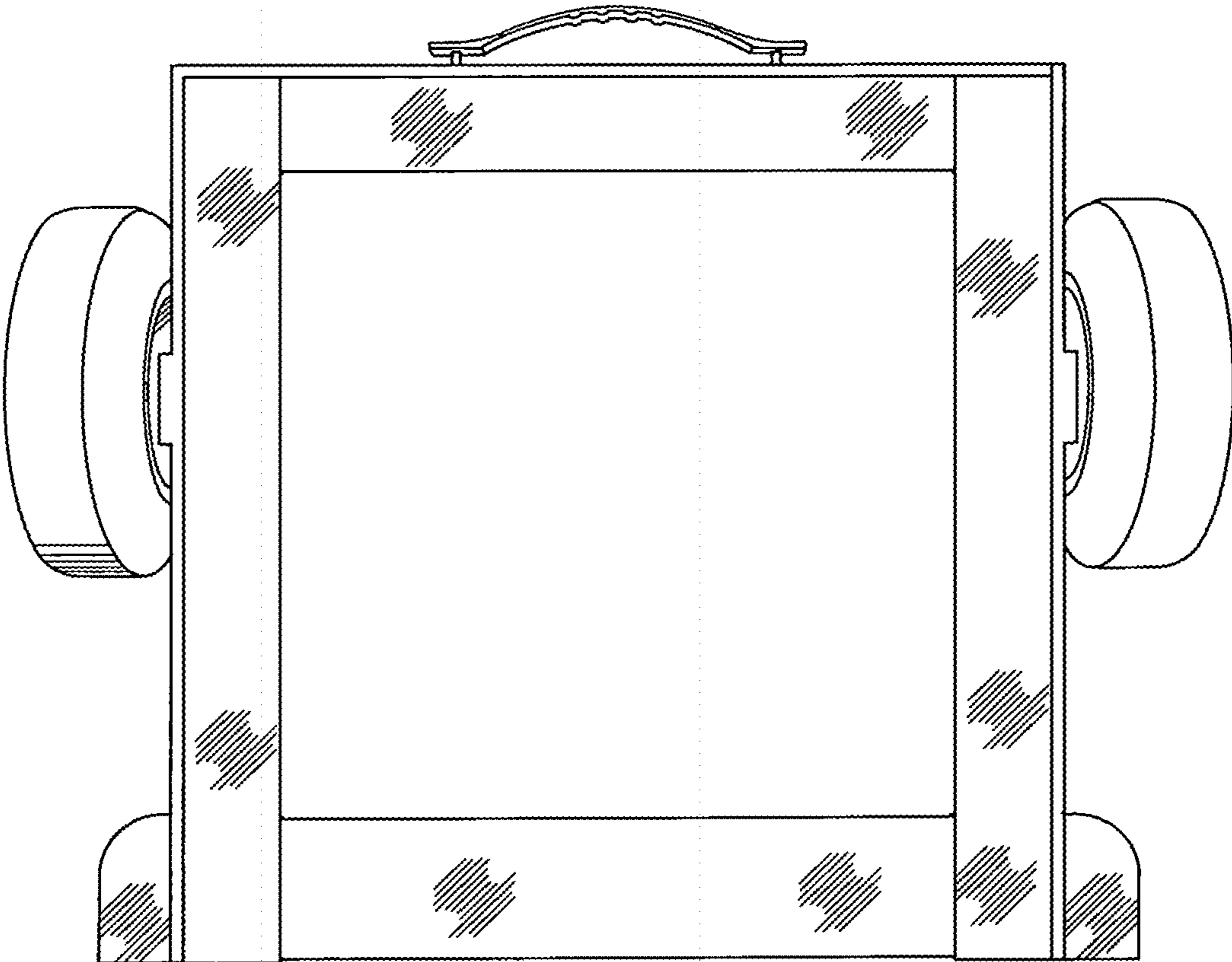


FIG. 8