



US00D889761S

(12) **United States Design Patent**  
**Ramm et al.**

(10) **Patent No.:** **US D889,761 S**  
(45) **Date of Patent:** **\*\* Jul. 7, 2020**

- (54) **LID FOR A WASTE BIN**
- (71) Applicant: **MGB Rentals Pty Ltd**, Glenelg (AU)
- (72) Inventors: **Matthew James Norman Ramm**,  
Black Forest (AU); **Paul John Heltmann**,  
Black Forest (AU); **Michael John Brixton**,  
Green Fields (AU)
- (73) Assignee: **MGB Rentals Pty Ltd**, Glenelg, South  
Australia (AU)
- (\*) Notice: This patent is subject to a terminal dis-  
claimer.
- (\*\*) Term: **15 Years**
- (21) Appl. No.: **29/671,916**
- (22) Filed: **Nov. 30, 2018**
- (30) **Foreign Application Priority Data**

D513,179 S \* 12/2005 Gavin ..... D34/11  
 D569,069 S \* 5/2008 Ireland ..... D34/11  
 7,784,642 B2 \* 8/2010 Gavin ..... B29C 51/087  
 220/826  
 8,079,493 B2 \* 12/2011 Taylor ..... B65F 1/16  
 206/505

\* cited by examiner

*Primary Examiner* — Gino Colan

(74) *Attorney, Agent, or Firm* — Klarquist Sparkman,  
LLP

(57) **CLAIM**

We claim the ornamental design for a lid for a waste bin, as  
shown and described.

**DESCRIPTION**

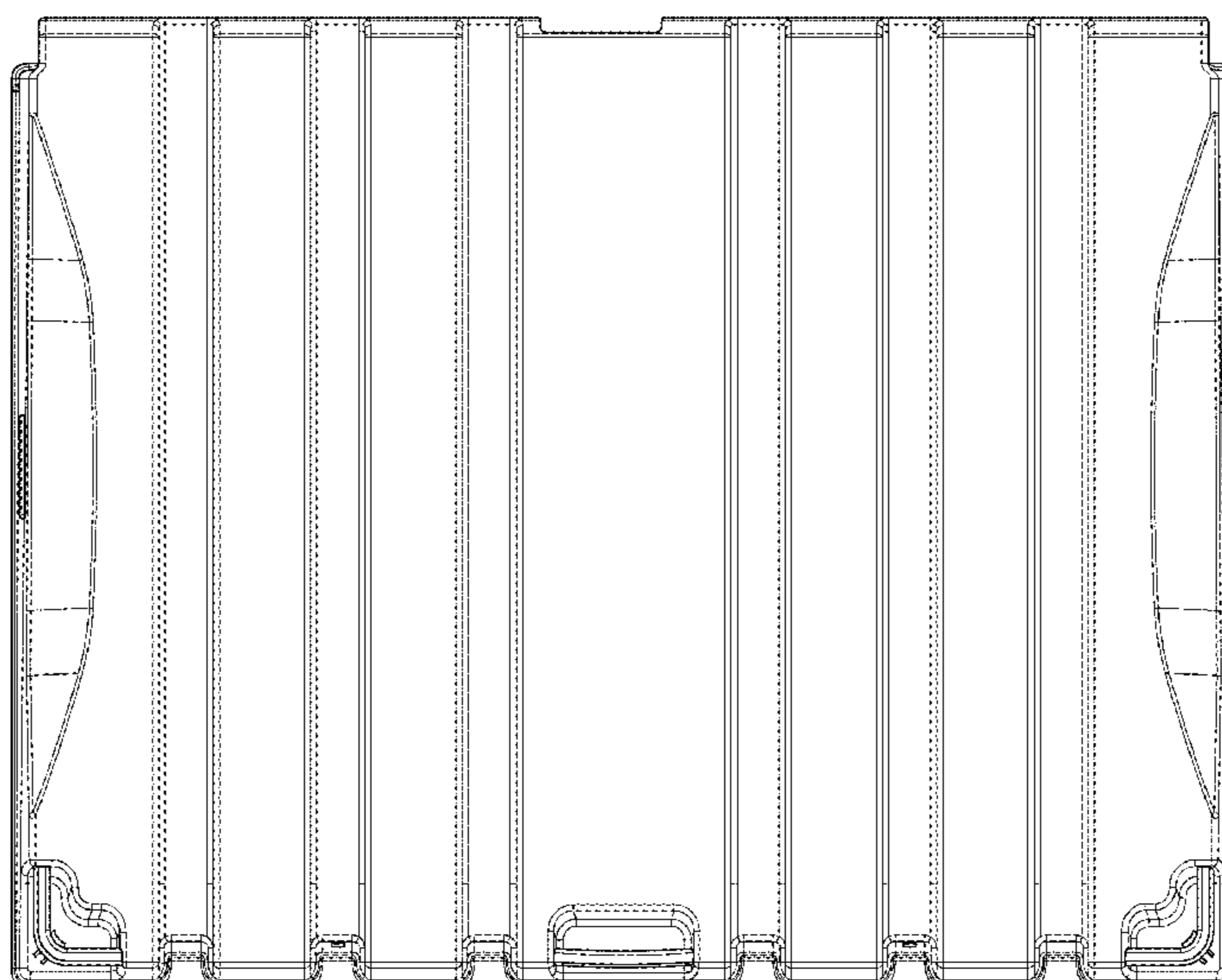
FIG. 1 is a top plan view of a lid for a waste bin showing our  
new design;  
 FIG. 2 is a front elevational view thereof;  
 FIG. 3 is a rear elevational view thereof;  
 FIG. 4 is a left side elevational view thereof;  
 FIG. 5 is a right side elevational view thereof;  
 FIG. 6 is a bottom plan view thereof;  
 FIG. 7 is a top left perspective view thereof;  
 FIG. 8 is a bottom right perspective view thereof;  
 FIG. 9 is a bottom left perspective view thereof; and,  
 FIG. 10 is a top right perspective view thereof.

- May 30, 2018 (AU) ..... 201813257
- (51) **LOC (12) Cl.** ..... **09-09**
- (52) **U.S. Cl.**  
USPC ..... **D34/11**
- (58) **Field of Classification Search**  
USPC ..... D34/1, 3-11, 12, 27; 220/908, 200, 253,  
220/836, 844, 523, 623, 810, 826;  
206/505, 508  
CPC ..... B65F 1/1615; B65F 1/163; B65F 1/122;  
B65F 2001/1653; B65F 1/16  
See application file for complete search history.

(56) **References Cited**  
U.S. PATENT DOCUMENTS

- D340,560 S \* 10/1993 Taylor ..... D34/10
- D491,329 S \* 6/2004 Taylor ..... D34/11
- D491,708 S \* 6/2004 Taylor ..... D34/11
- 6,968,972 B2 \* 11/2005 Taylor ..... B65F 1/16  
206/508

**1 Claim, 6 Drawing Sheets**



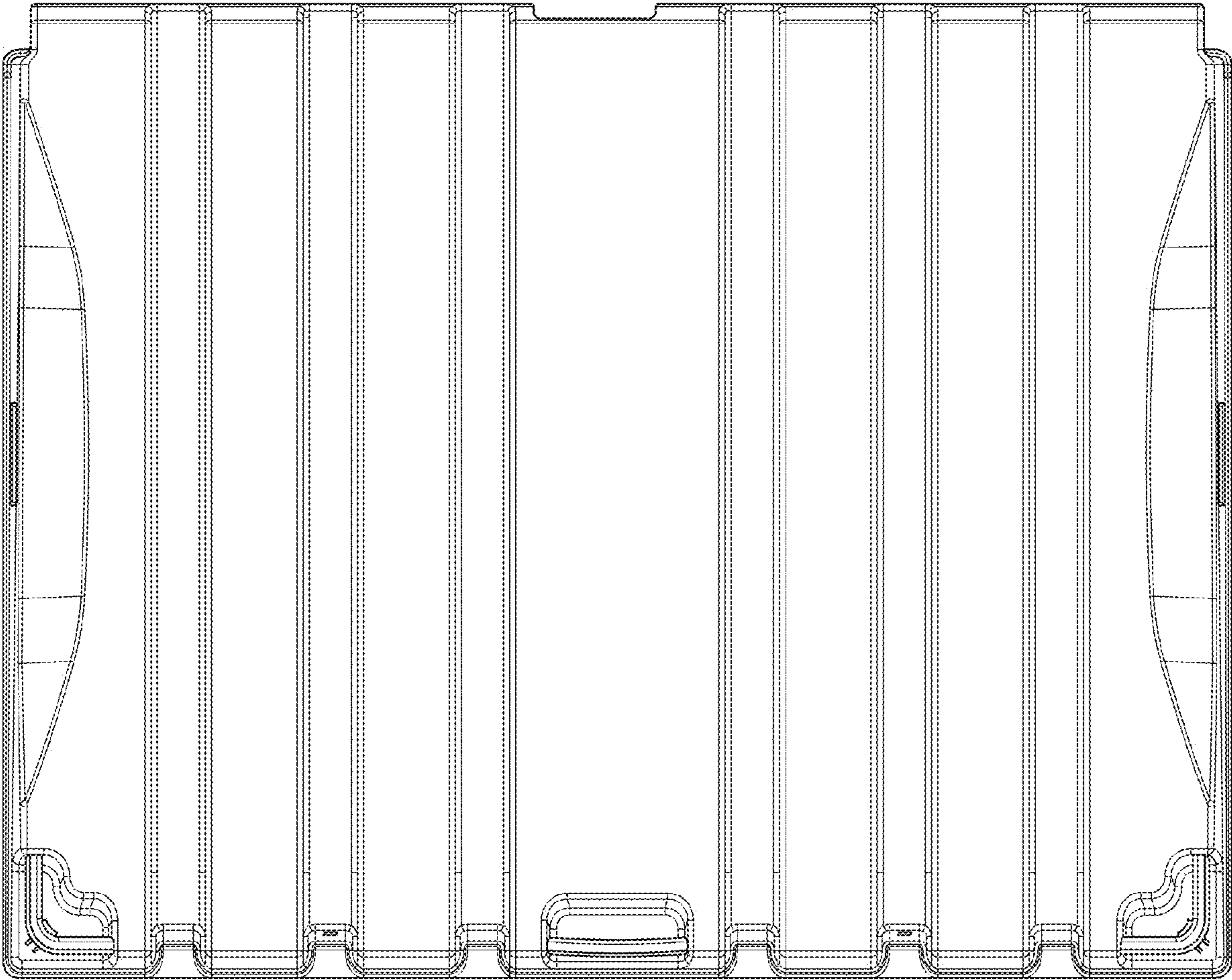


FIG. 1

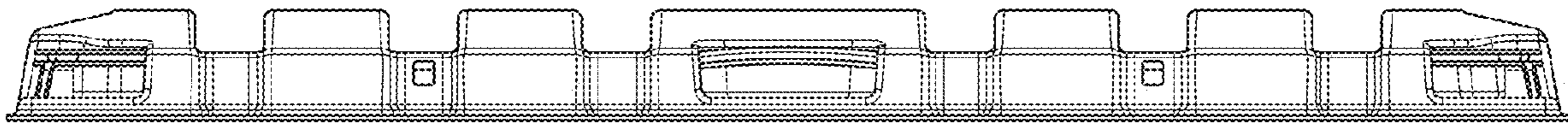


FIG. 2

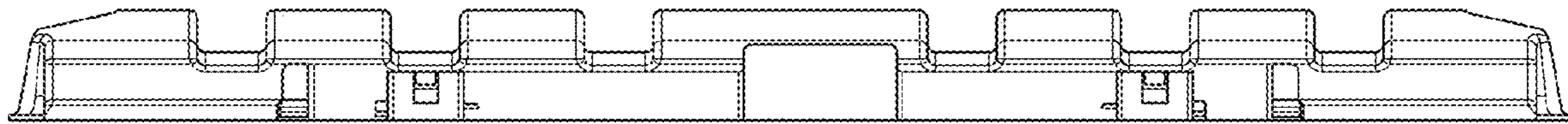


FIG. 3

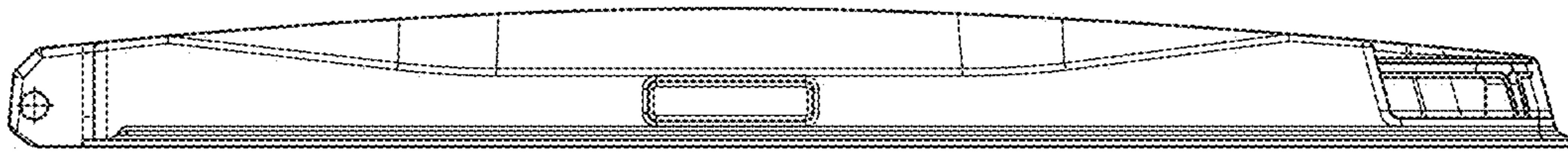


FIG. 4

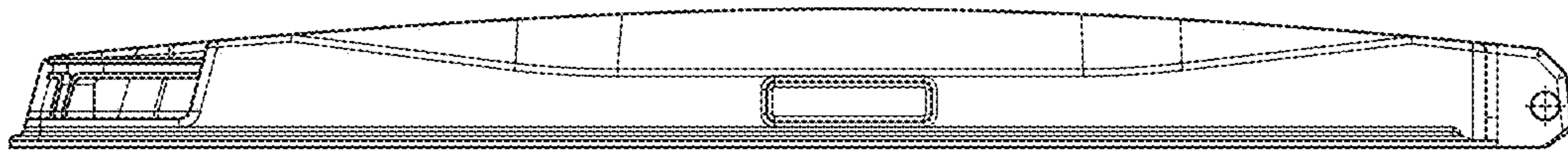


FIG. 5



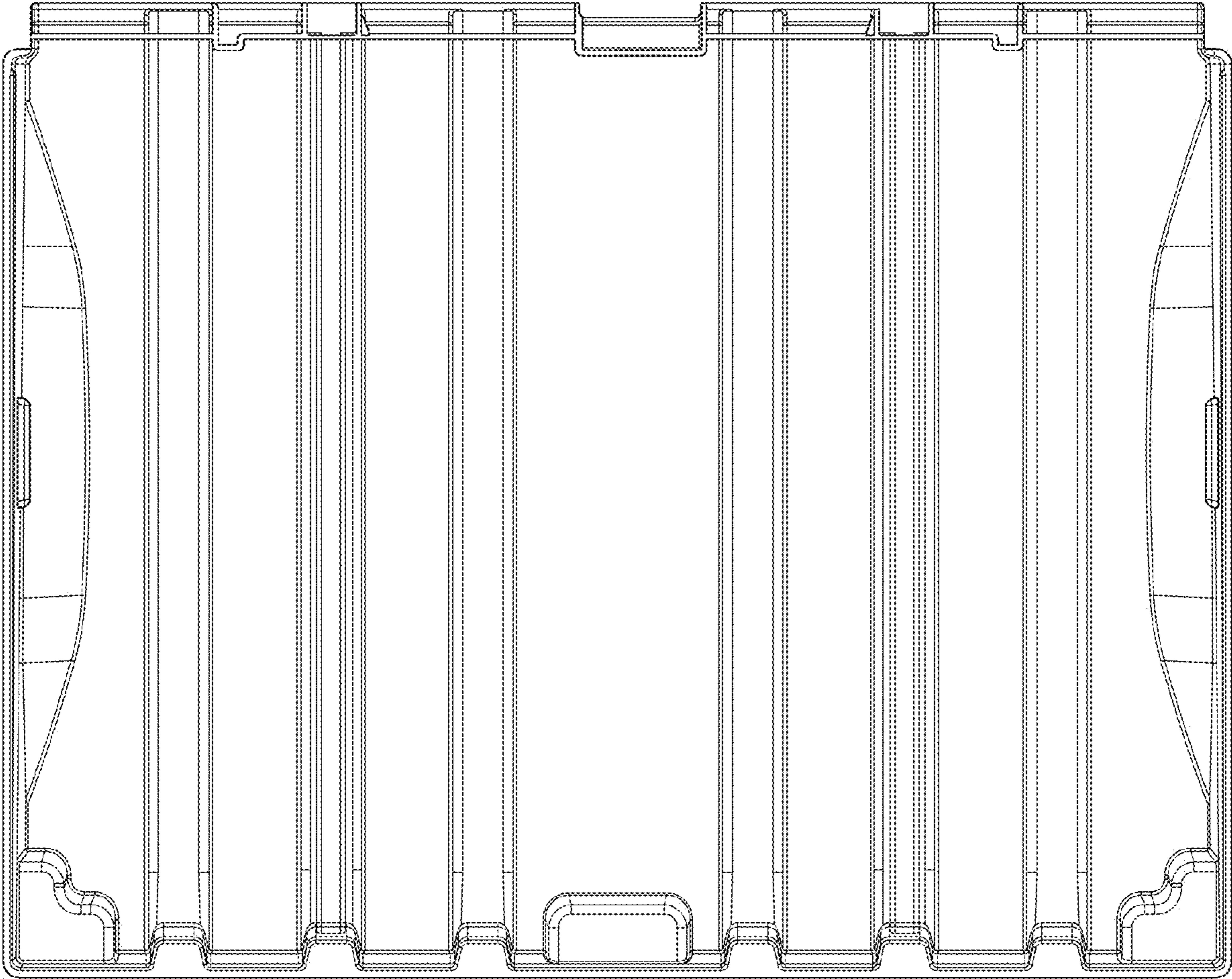


FIG. 6

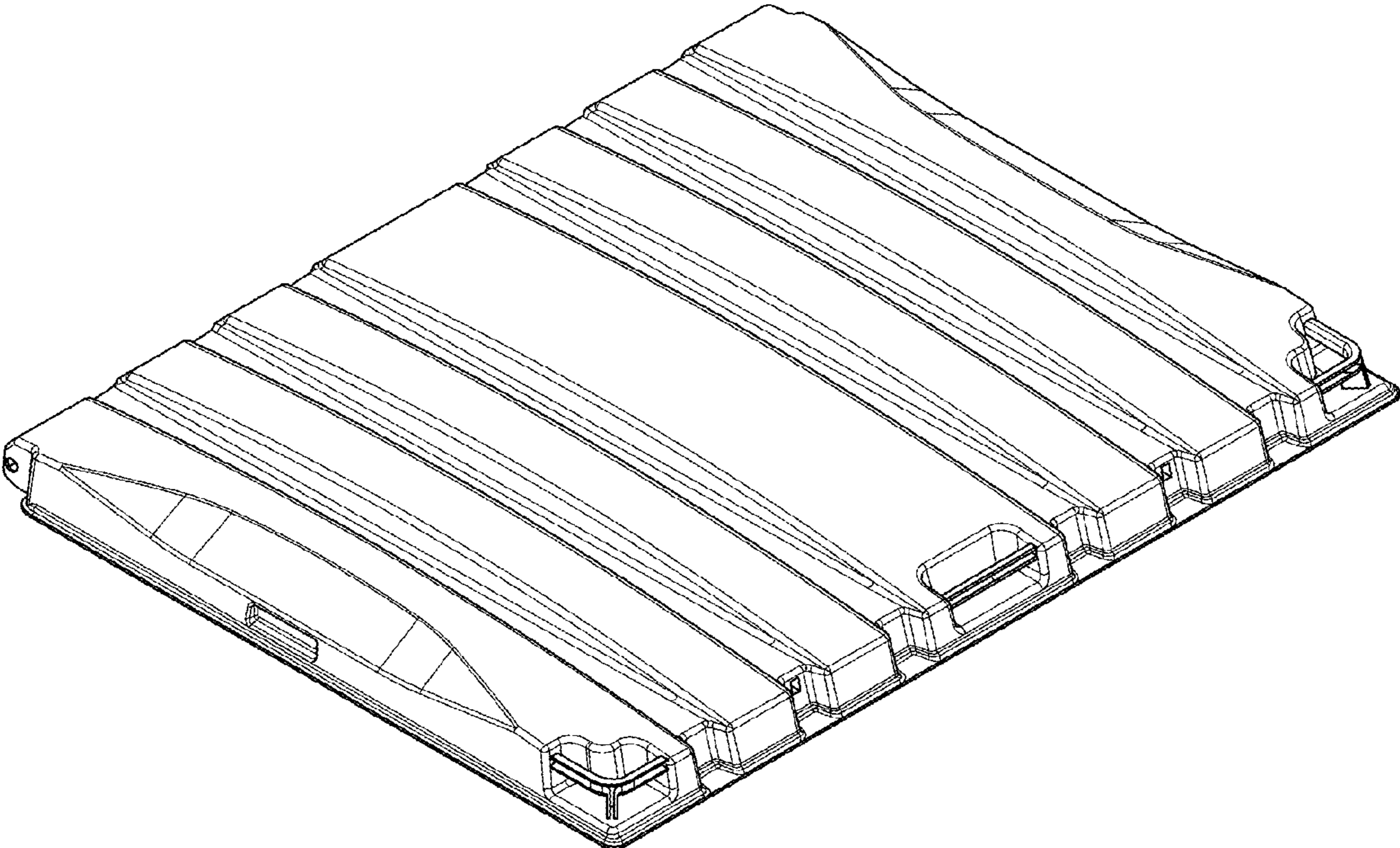


FIG. 7

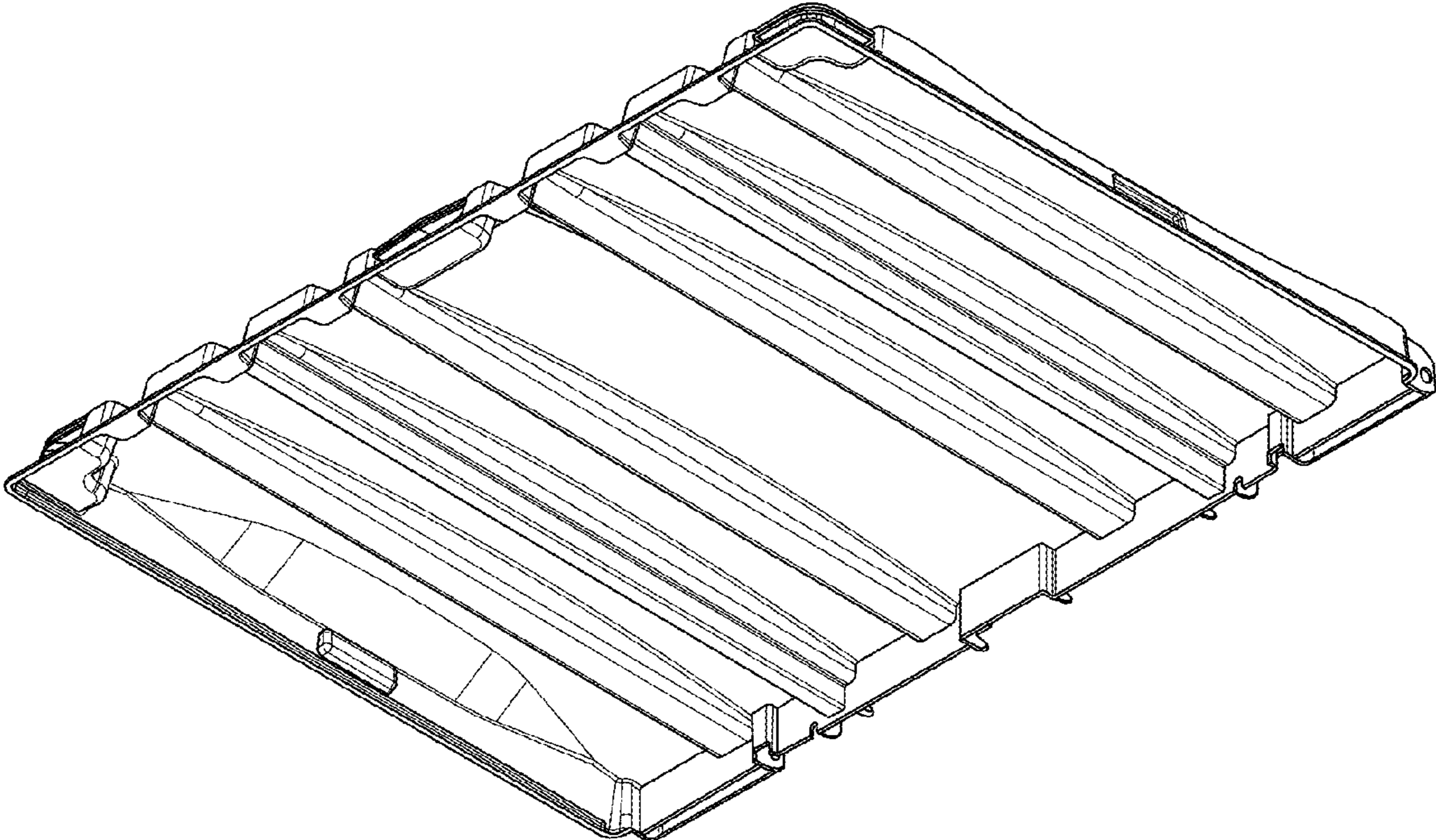


FIG. 8



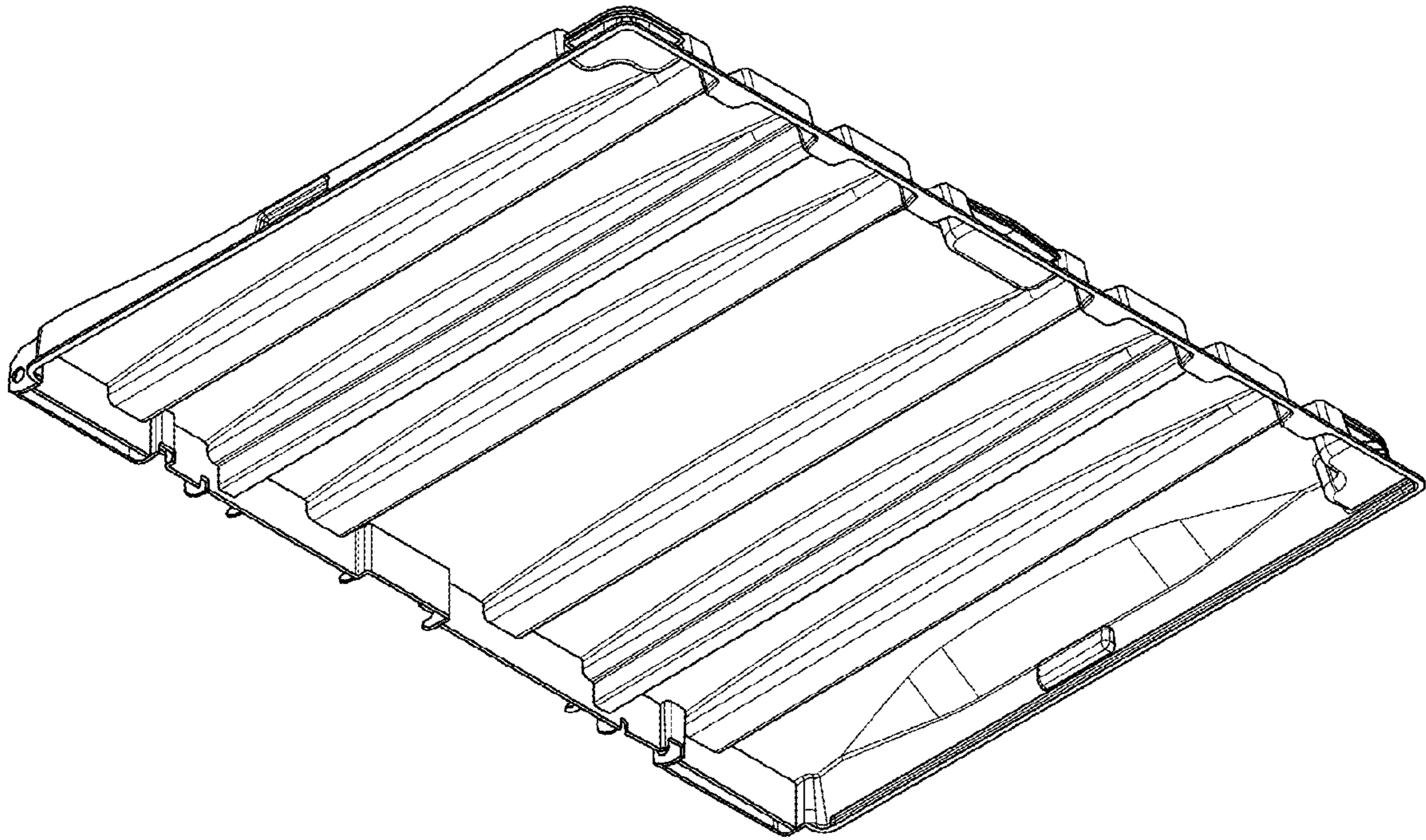


FIG. 9

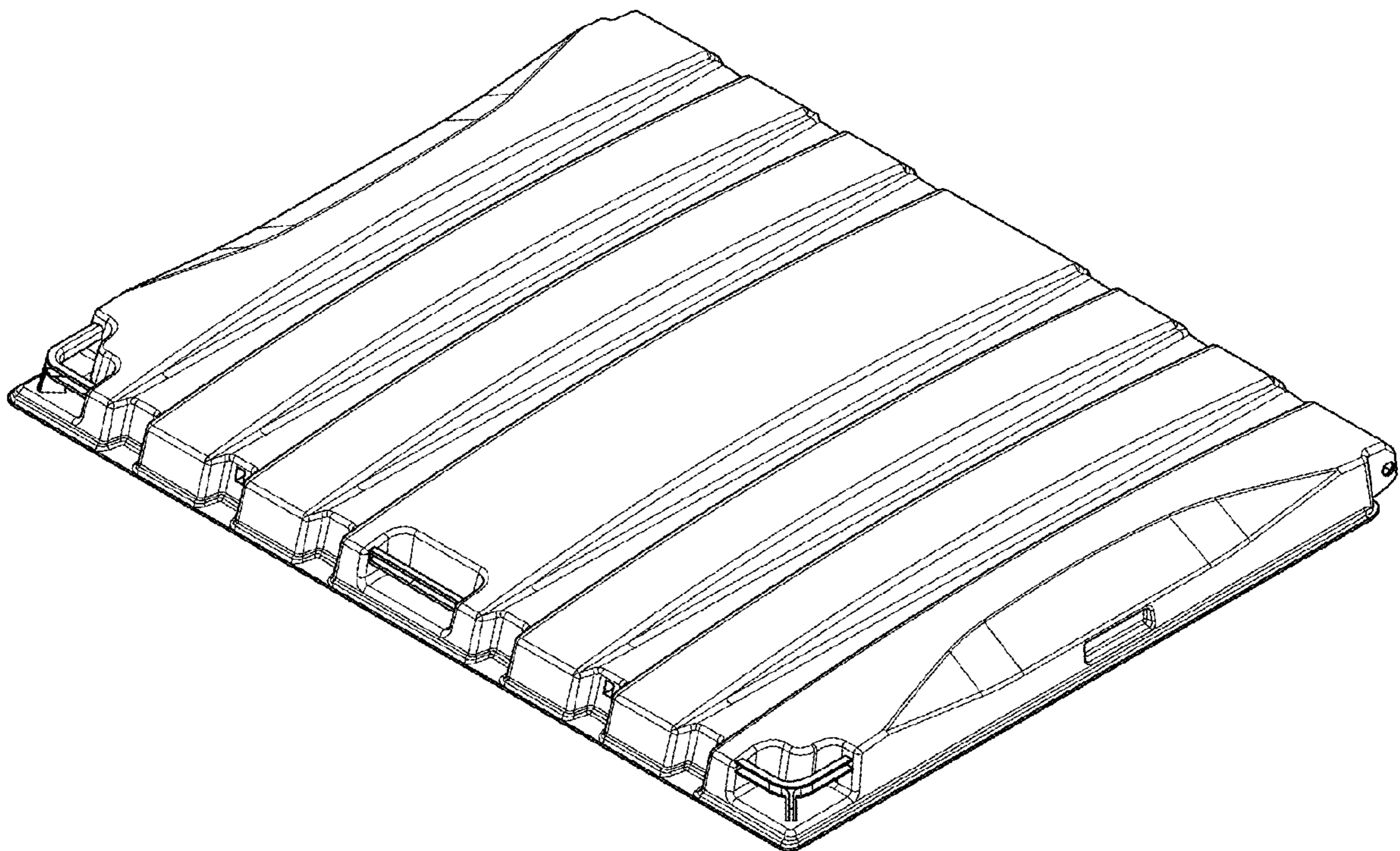


FIG. 10