



US00D889759S

(12) **United States Design Patent**
Tassinari

(10) **Patent No.:** **US D889,759 S**

(45) **Date of Patent:** **** *Jul. 7, 2020**

(54) **PORTABLE DIAPER HAMPER WITH
REMOVABLE DIVIDER**

(71) Applicant: **Andrea Tassinari**, Plymouth, MA (US)

(72) Inventor: **Andrea Tassinari**, Plymouth, MA (US)

(*) Notice: This patent is subject to a terminal disclaimer.

(**) Term: **15 Years**

(21) Appl. No.: **29/613,230**

(22) Filed: **Aug. 8, 2017**

(51) **LOC (12) Cl.** **15-05**

(52) **U.S. Cl.**
USPC **D32/37**

(58) **Field of Classification Search**
USPC D32/37, 35, 53, 53.1; D9/721, 722, 720;
D3/299, 305
CPC A45C 7/00; A45C 7/0045; A45C 7/005;
A45C 7/0077; A45C 13/04; D06F 95/002;
D06F 5/004; B65B 67/1244
See application file for complete search history.

(56) **References Cited**

U.S. PATENT DOCUMENTS

- 4,057,309 A * 11/1977 Fragale A47B 43/02
312/259
- D275,618 S * 9/1984 Agard D3/295
- D279,038 S * 5/1985 Thompson, Jr. D32/37

- 5,253,775 A * 10/1993 Gould D06F 95/004
220/23.83
- D341,685 S * 11/1993 Brooks D32/36
- 5,833,336 A * 11/1998 Dean D06F 95/002
312/293.2
- 5,873,643 A * 2/1999 Burgess, Jr. A47B 77/18
220/495.09
- D462,149 S * 8/2002 Hall D32/37
- 6,761,367 B2 * 7/2004 Fite B62B 1/10
220/761
- D739,988 S * 9/2015 Buckner D32/37
- D827,960 S * 9/2018 Barre D32/37
- D838,928 S * 1/2019 Wen-Tsan D32/37

* cited by examiner

Primary Examiner — Michelle E. Wilson

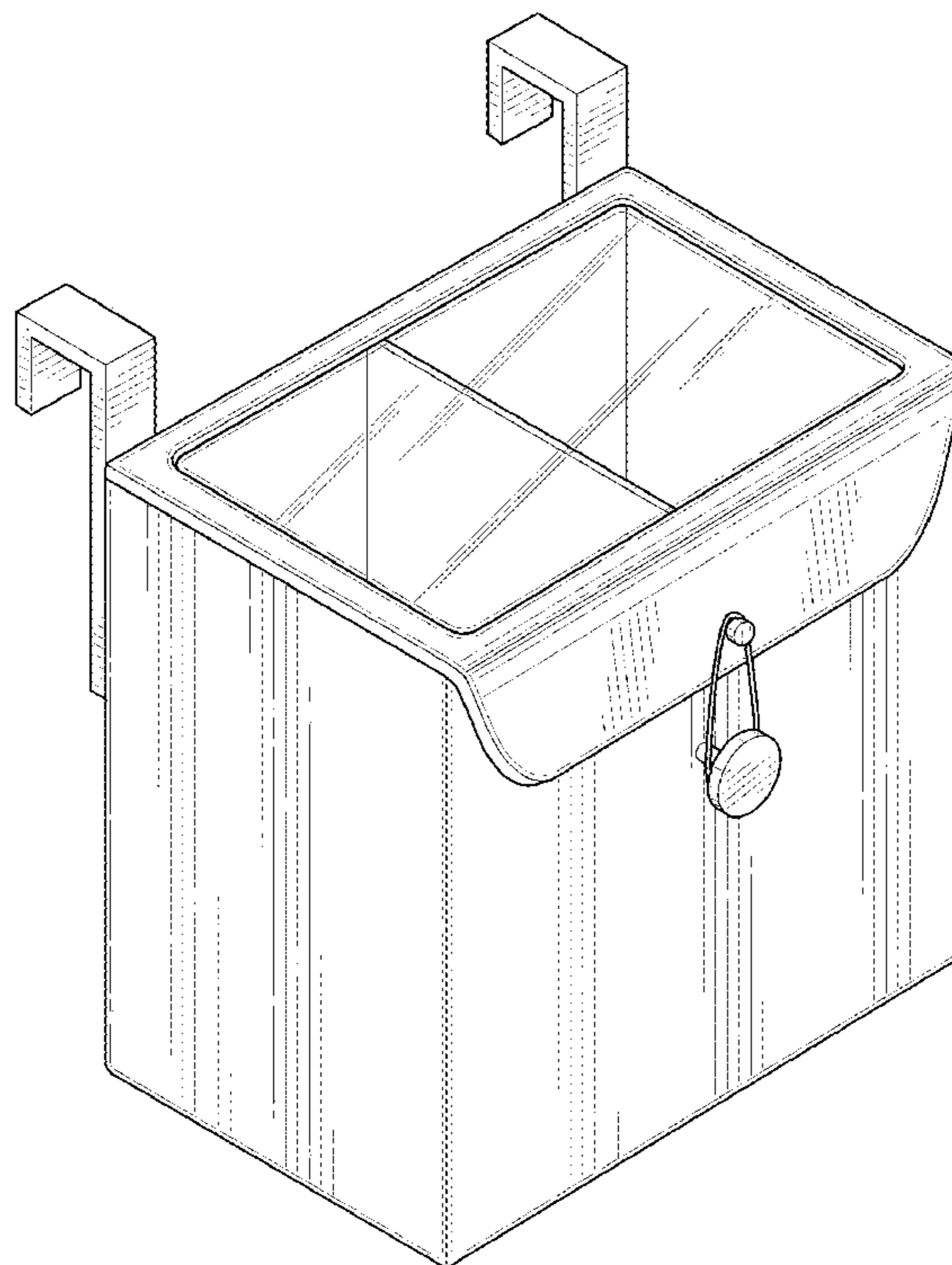
(57) **CLAIM**

The ornamental design for a portable diaper hamper with removable divider, as shown and described.

DESCRIPTION

FIG. 1 is a perspective view of the portable diaper hamper with removable divider showing my new design;
 FIG. 2 is a front elevation view thereof;
 FIG. 3 is a rear elevation view thereof;
 FIG. 4 is a left elevation view thereof;
 FIG. 5 is a right elevation view thereof;
 FIG. 6 is a top plan view thereof;
 FIG. 7 is a bottom plan view thereof; and,
 FIG. 8 is a perspective view thereof, with the hinged top cover in an alternate position.

1 Claim, 5 Drawing Sheets



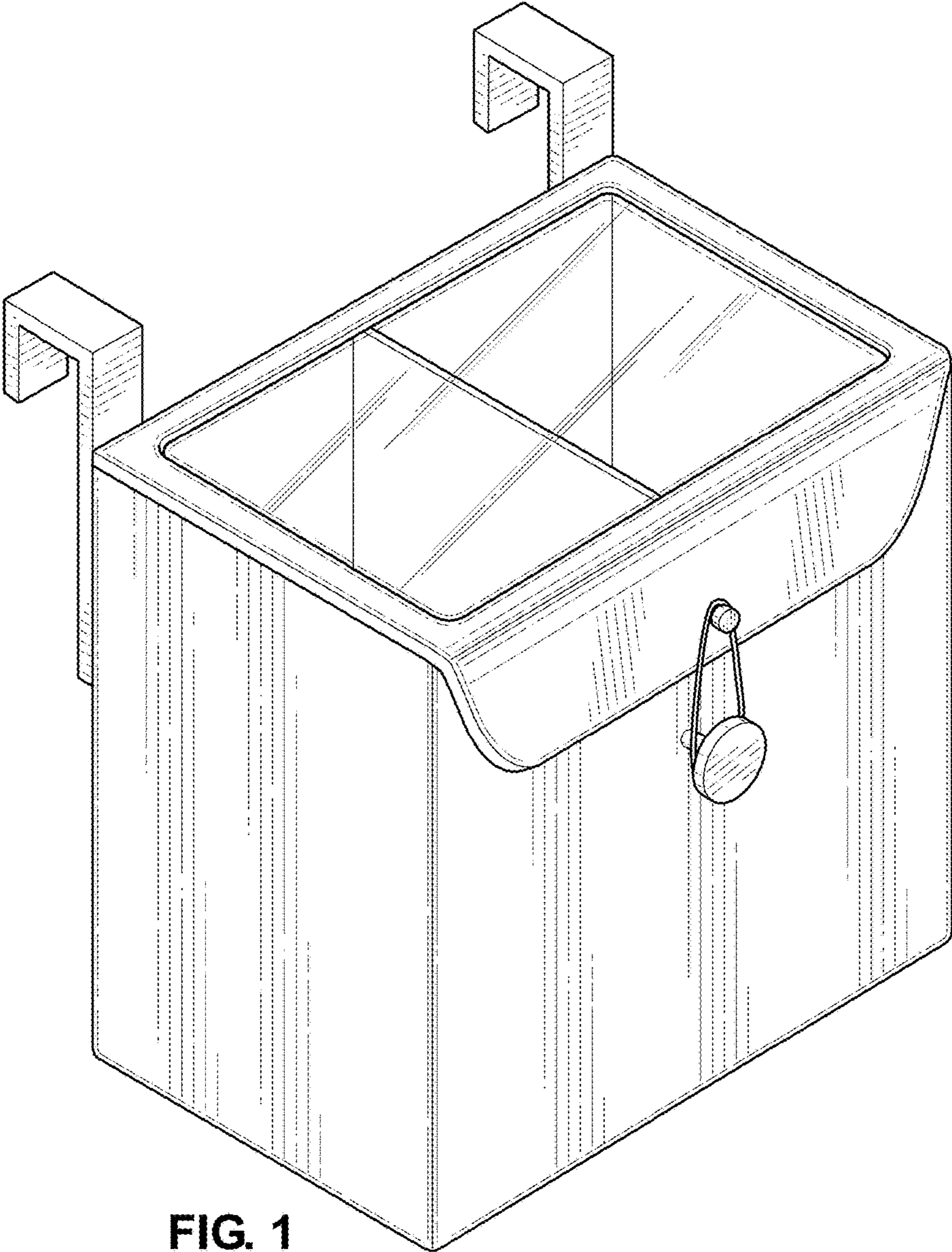


FIG. 1

FIG. 2

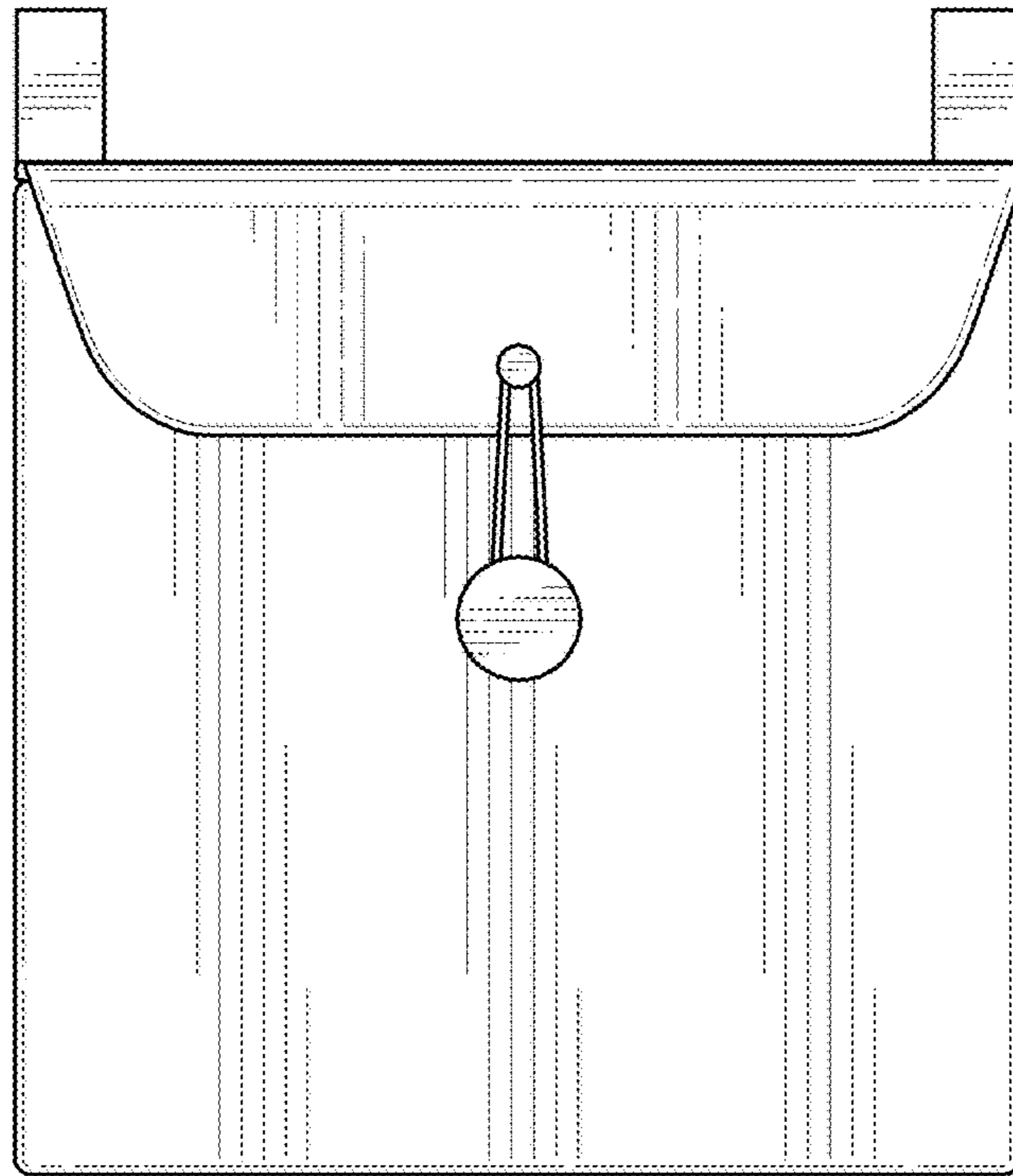
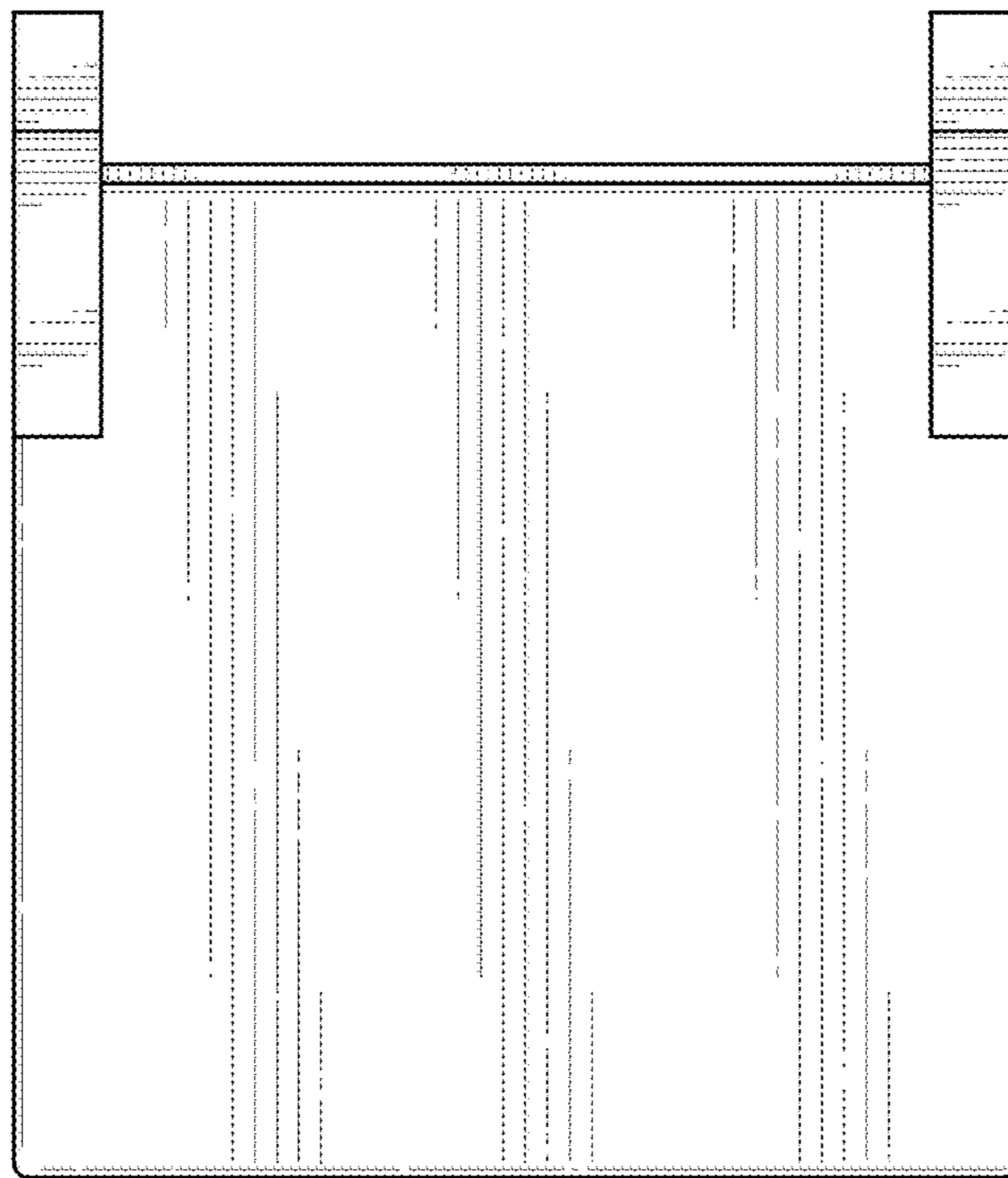
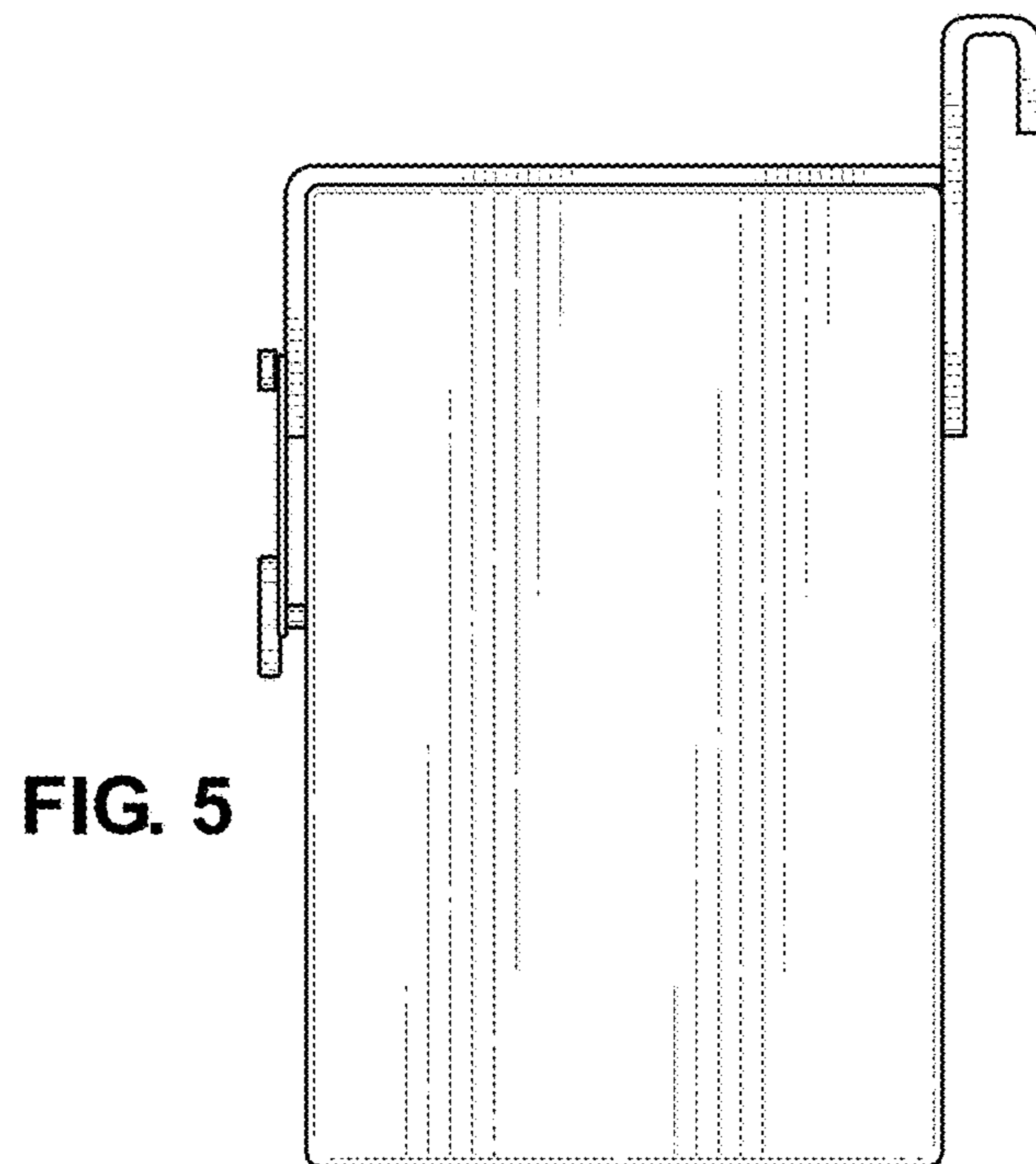
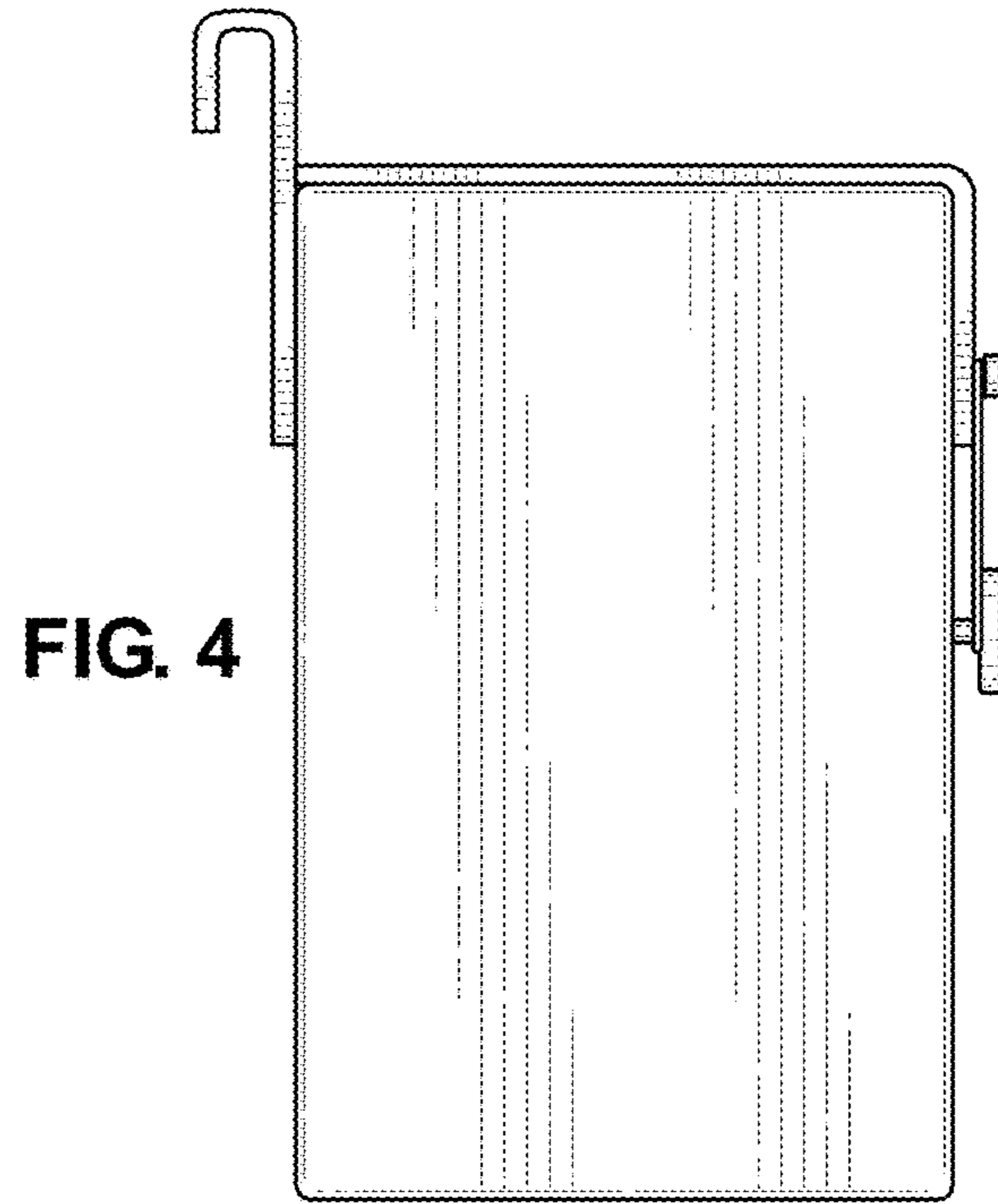


FIG. 3





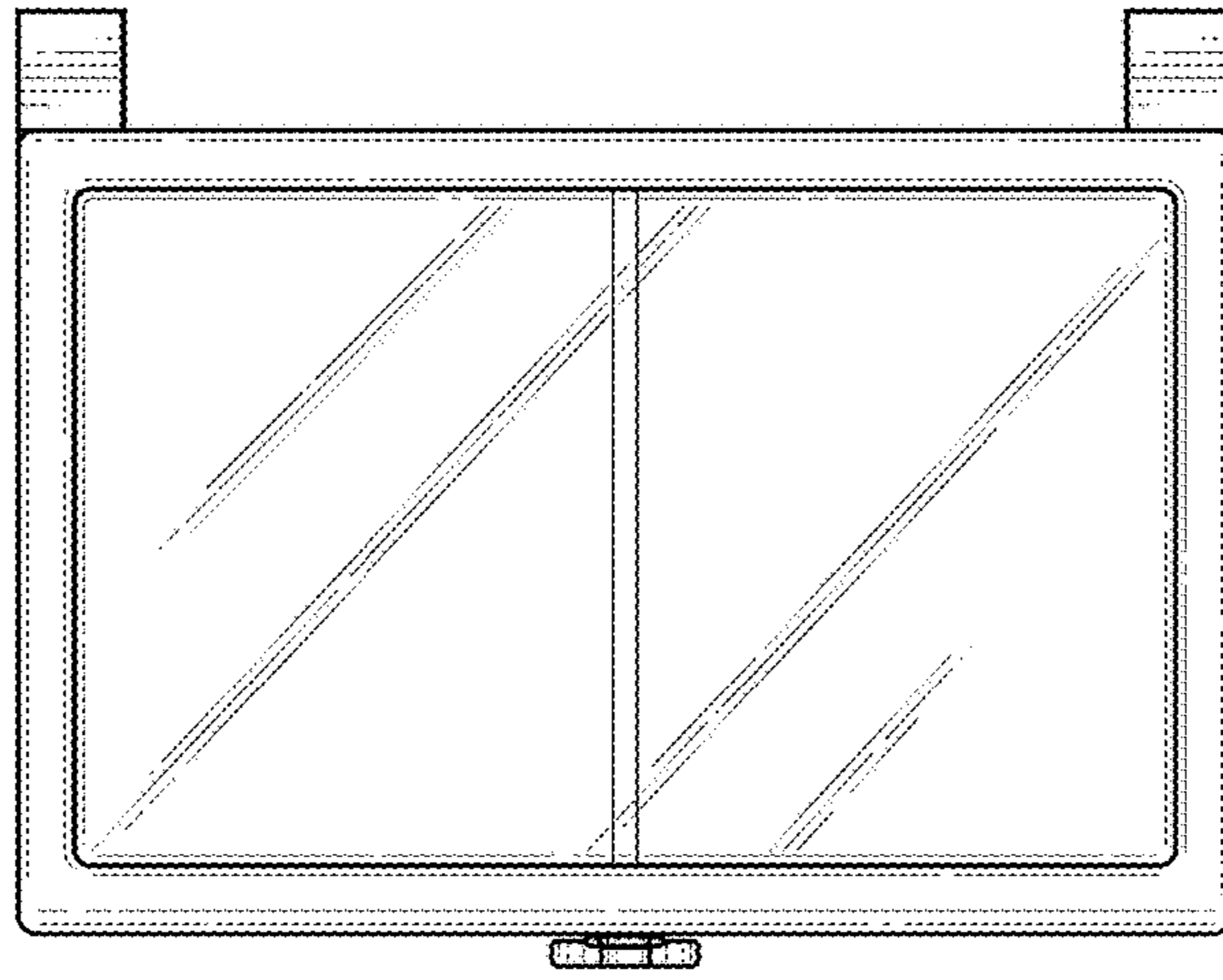


FIG. 6

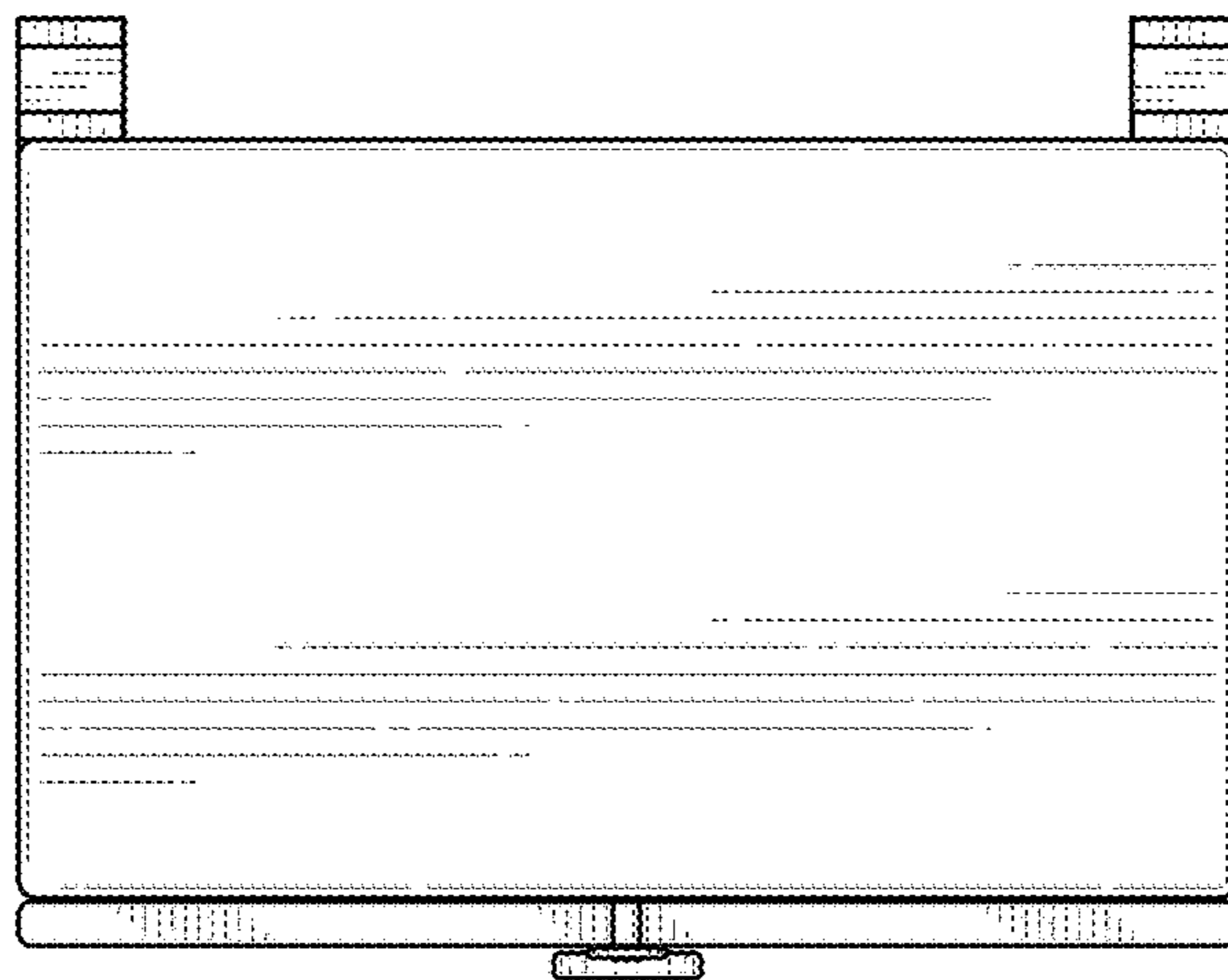


FIG. 7

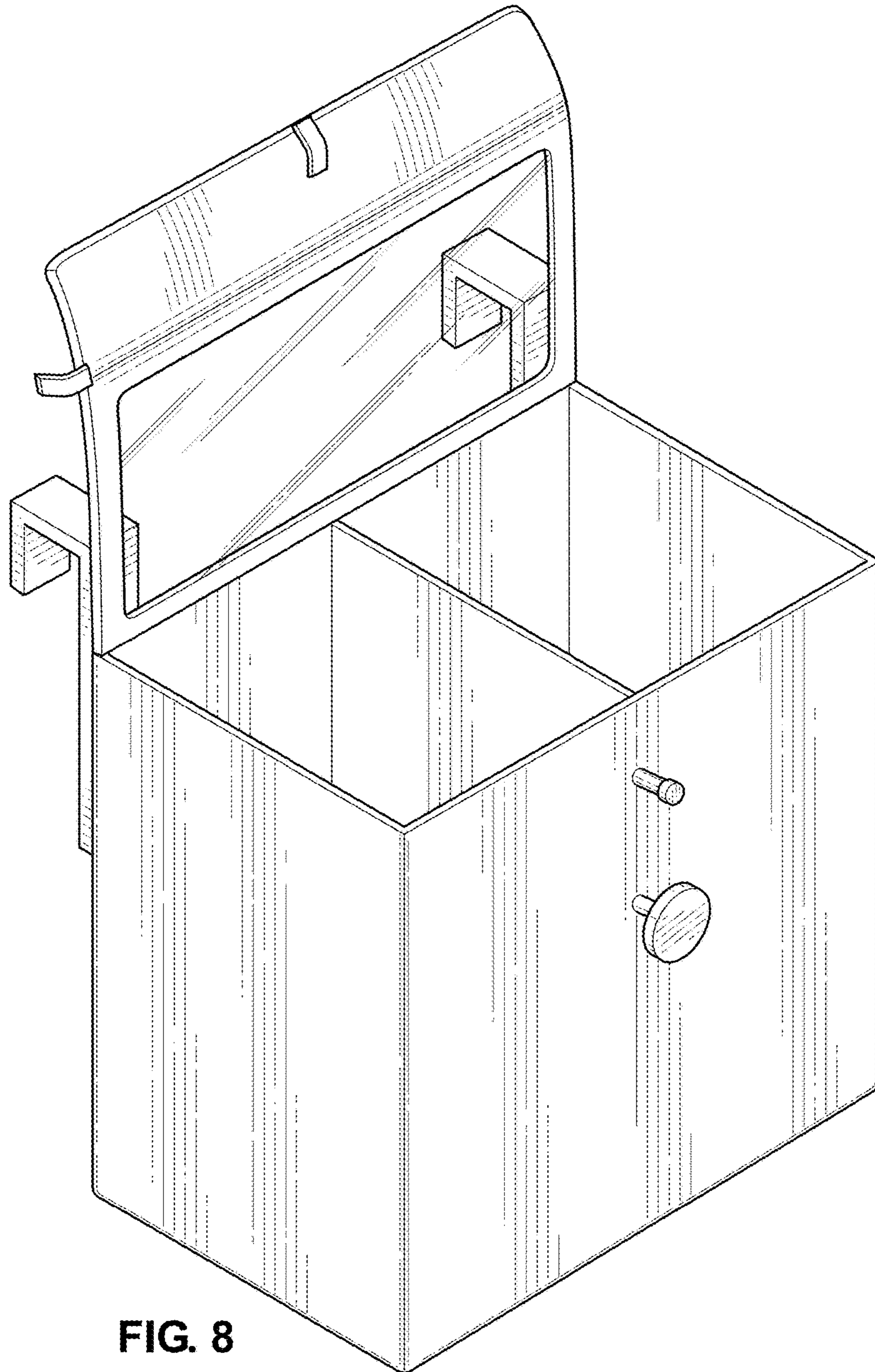


FIG. 8