



US00D889753S

(12) **United States Design Patent** (10) **Patent No.:** **US D889,753 S**
Richter et al. (45) **Date of Patent:** **** Jul. 7, 2020**

(54) **HAIR READER**

(71) Applicant: **Henkel AG & Co. KGaA**, Duesseldorf (DE)

(72) Inventors: **Mike Richter**, Berlin (DE); **Adrian LeHanne**, Berlin (DE); **Andreas Wegner**, Berlin (DE); **Janosch Bardak**, Berlin (DE); **William Jabbour**, Berlin (DE); **Benedict von Spankeren**, Berlin (DE); **Amy DeTavis**, Berlin (DE); **Meg Koch**, Berlin (DE)

(73) Assignee: **Henkel AG & Co. KGaA** (DE)

(**) Term: **15 Years**

(21) Appl. No.: **29/649,055**

(22) Filed: **May 25, 2018**

(30) **Foreign Application Priority Data**

Nov. 22, 2017 (EM) 004517209

(51) **LOC (12) Cl.** **28-03**

(52) **U.S. Cl.**
USPC **D28/10**

(58) **Field of Classification Search**
USPC D28/4, 9, 10, 11, 13, 35, 44.2; D24/133, D24/144, 189, 206, 208-210, 216; D15/199; D10/65-70, 81; D13/108; D14/127

CPC B65H 51/22; D03J 33/00; A45D 2/00; A45D 2/001; A45D 2/002; A45D 2/02; A45D 2/04; A45D 2/06; A45D 2/08; A45D 2/10; A45D 2/12-22; A45D 2/24-34; A45D 2/36-367; A45D 1/00; A45D 1/04; A45D 4/00

See application file for complete search history.

(56) **References Cited**

U.S. PATENT DOCUMENTS

D561,934 S * 2/2008 Miller D28/10
D657,702 S * 4/2012 Au Yeung D10/70

D659,037 S * 5/2012 Madsen D10/65
D662,534 S * 6/2012 Chang D16/225
D692,784 S * 11/2013 Anderssen D10/106.92
D732,736 S * 6/2015 Hefetz D28/10
D758,901 S * 6/2016 Benoit D10/70
D760,098 S * 6/2016 Benoit D10/70
D789,604 S * 6/2017 Levi D24/133
D841,316 S * 2/2019 Paschke D3/215
D844,896 S * 4/2019 Levi D28/44.1
2014/0144458 A1 * 5/2014 Hein A45D 1/04
132/226
2016/0209272 A1 * 7/2016 Miklatzky A45D 44/005
2018/0070694 A1 * 3/2018 Feng A45D 1/04
2018/0168309 A1 * 6/2018 Chelle A45D 1/16

OTHER PUBLICATIONS

Schwarzkopf Professional SalonLab—YouTube, published on Jan. 3, 2018, retrieved on May 8, 2019, retrieved from the Internet URL: https://www.youtube.com/watch?v=remHNNACZsc.*

* cited by examiner

Primary Examiner — Jennifer Rivard

Assistant Examiner — Alison M Ofstun

(74) *Attorney, Agent, or Firm* — P. Scott Smith

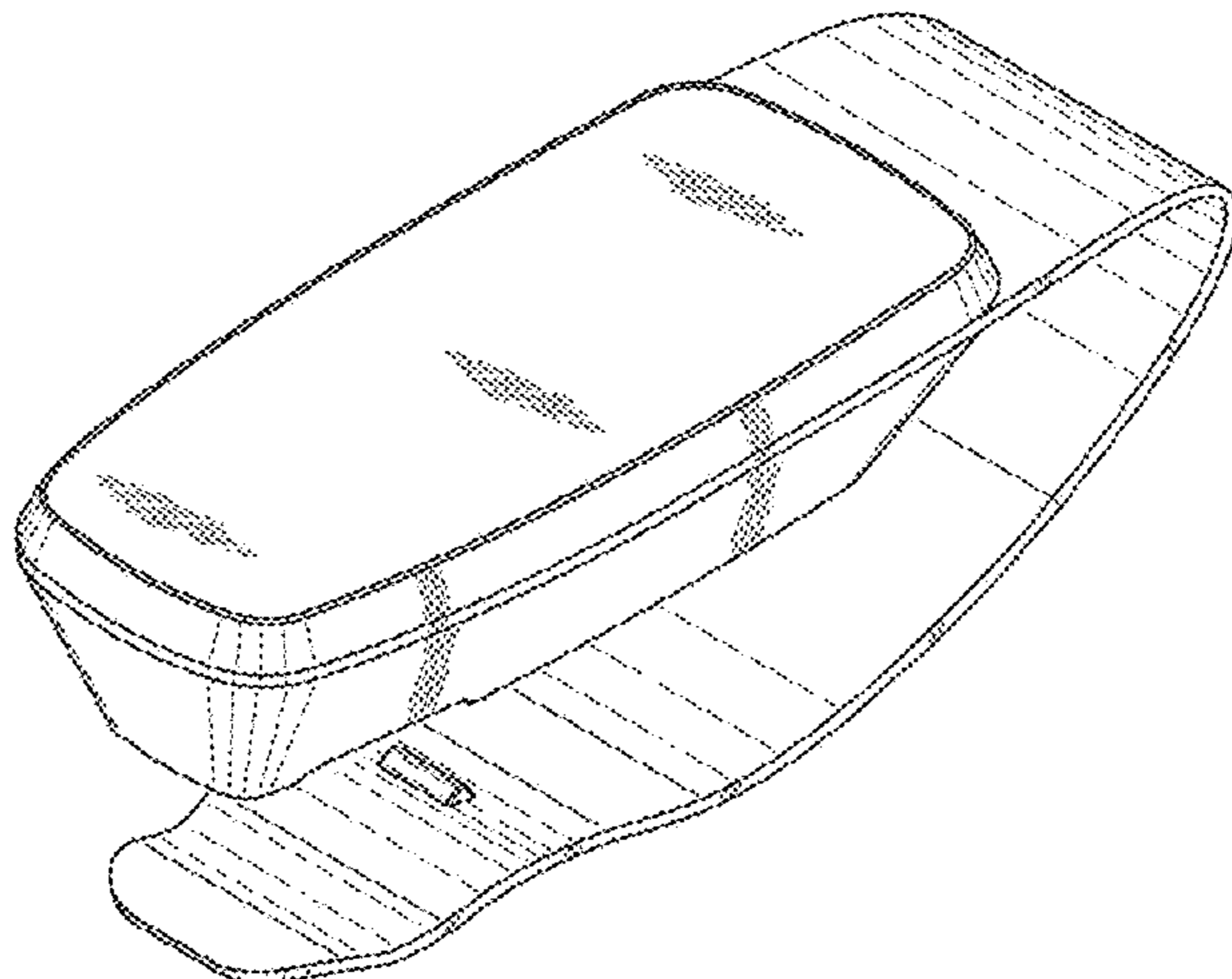
(57) **CLAIM**

The ornamental design for a hair reader, as shown and described.

DESCRIPTION

FIG. 1 is a front perspective view of a hair reader, showing the new design;
FIG. 2 is a front side elevation view thereof;
FIG. 3 is a rear side elevation view thereof;
FIG. 4 is a top plan view thereof;
FIG. 5 is a bottom plan view thereof;
FIG. 6 is a right side elevation view thereof; and,
FIG. 7 is a left side elevation view thereof.

1 Claim, 6 Drawing Sheets



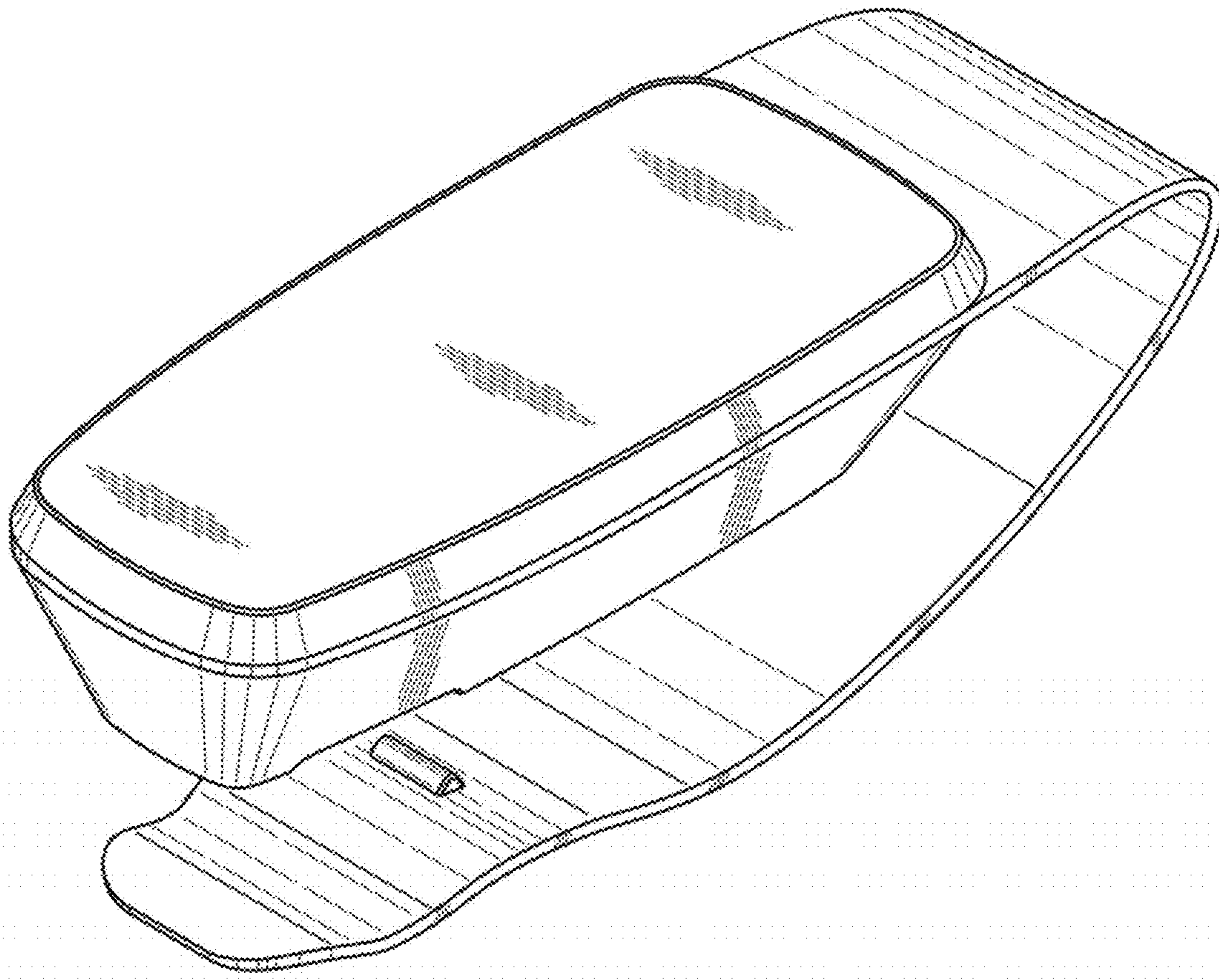


FIG. 1

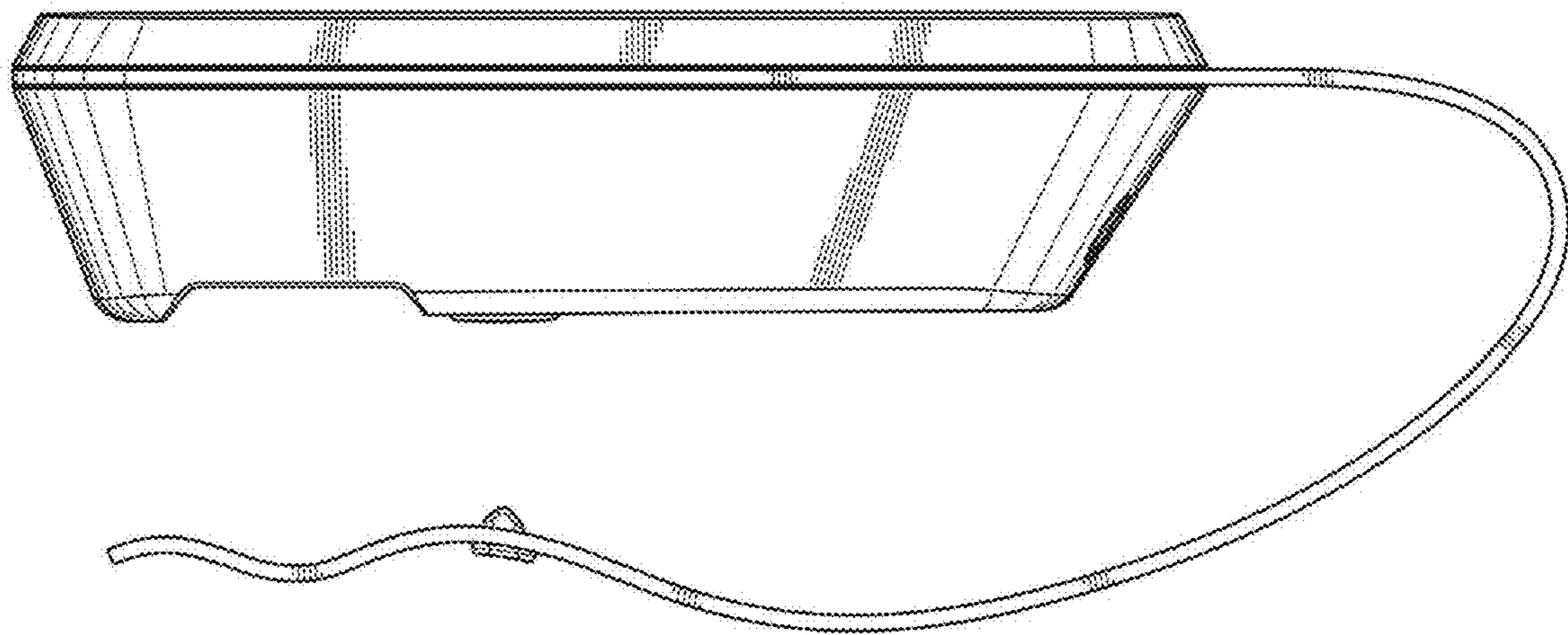


FIG. 2

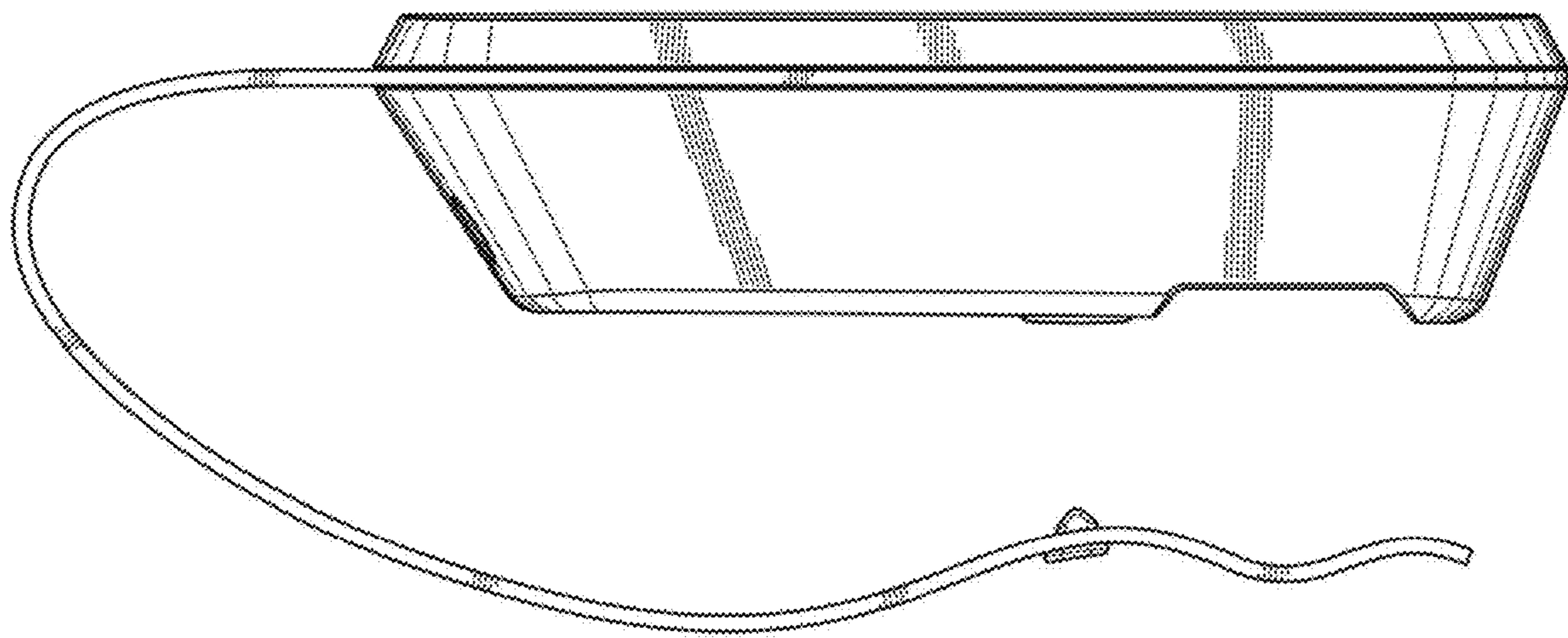


FIG. 3

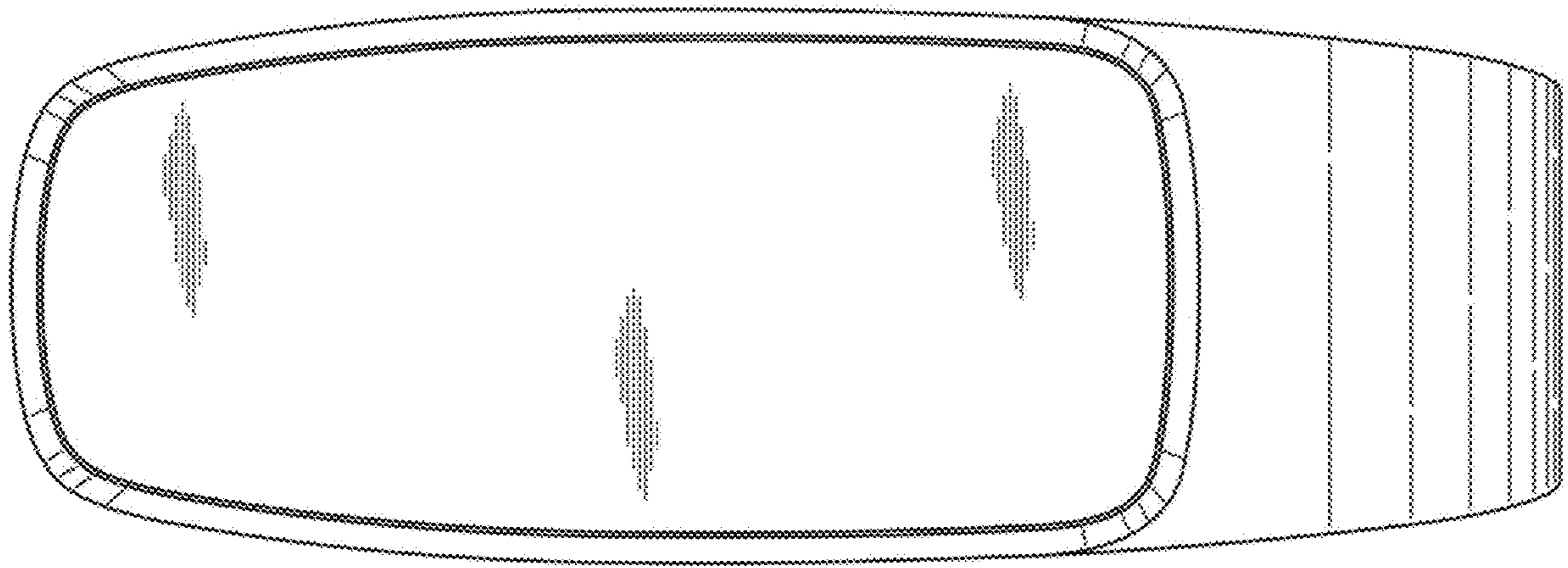


FIG. 4

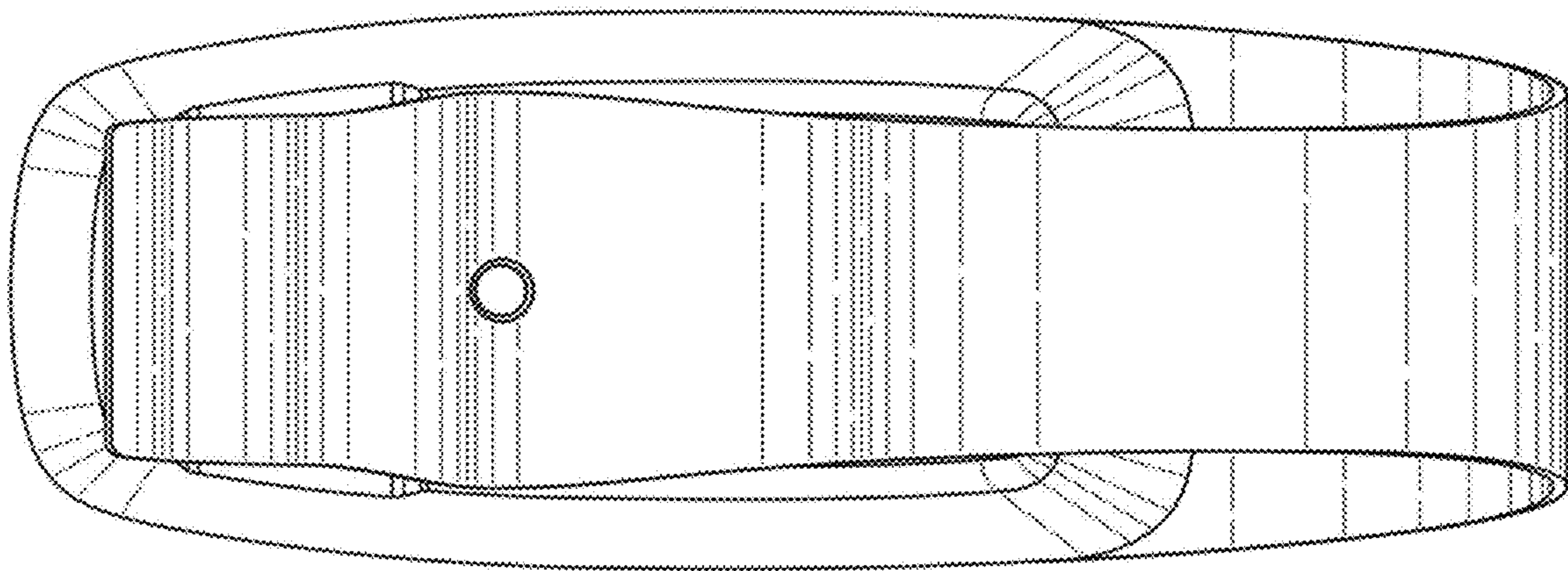


FIG. 5

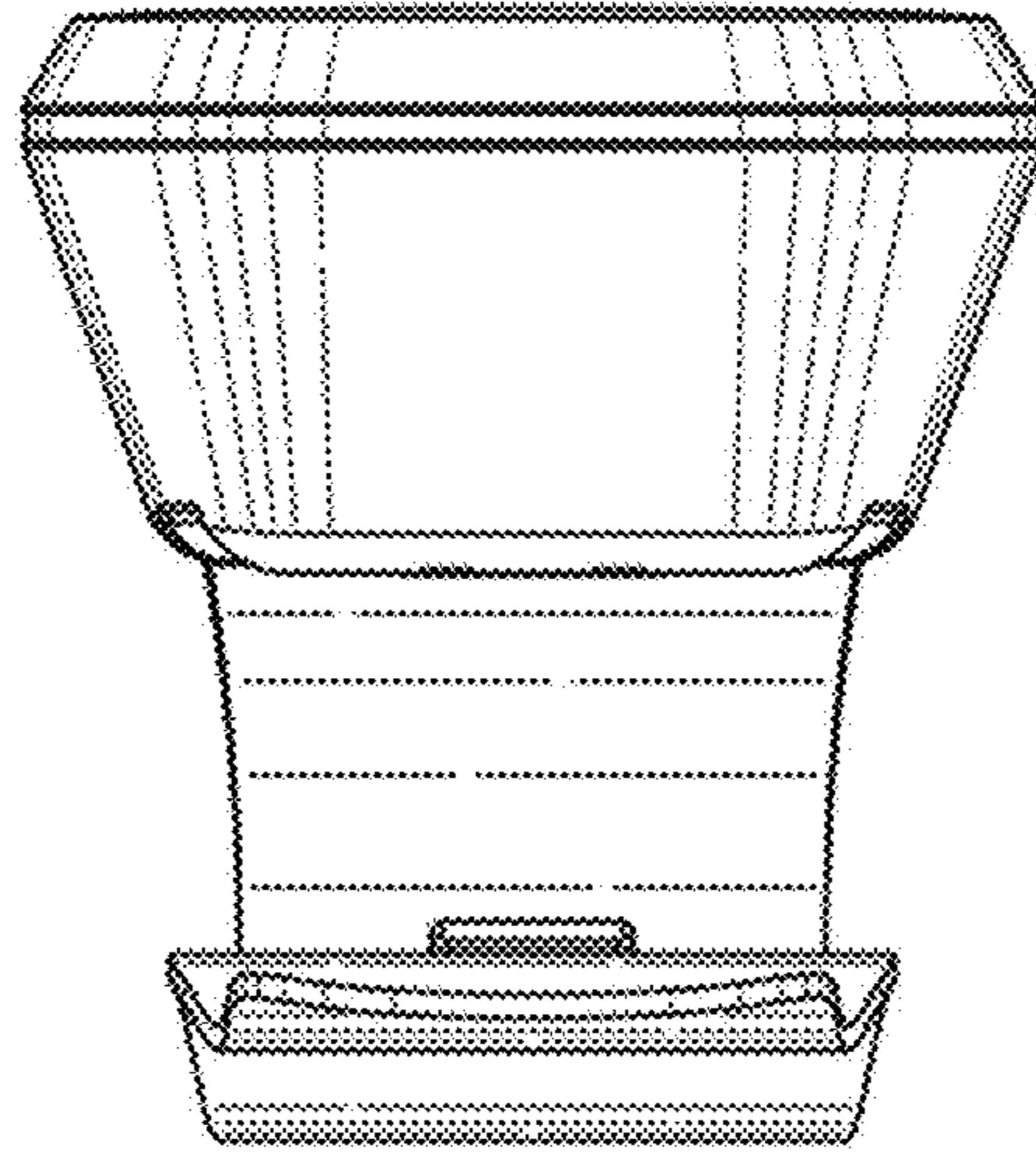


FIG. 6

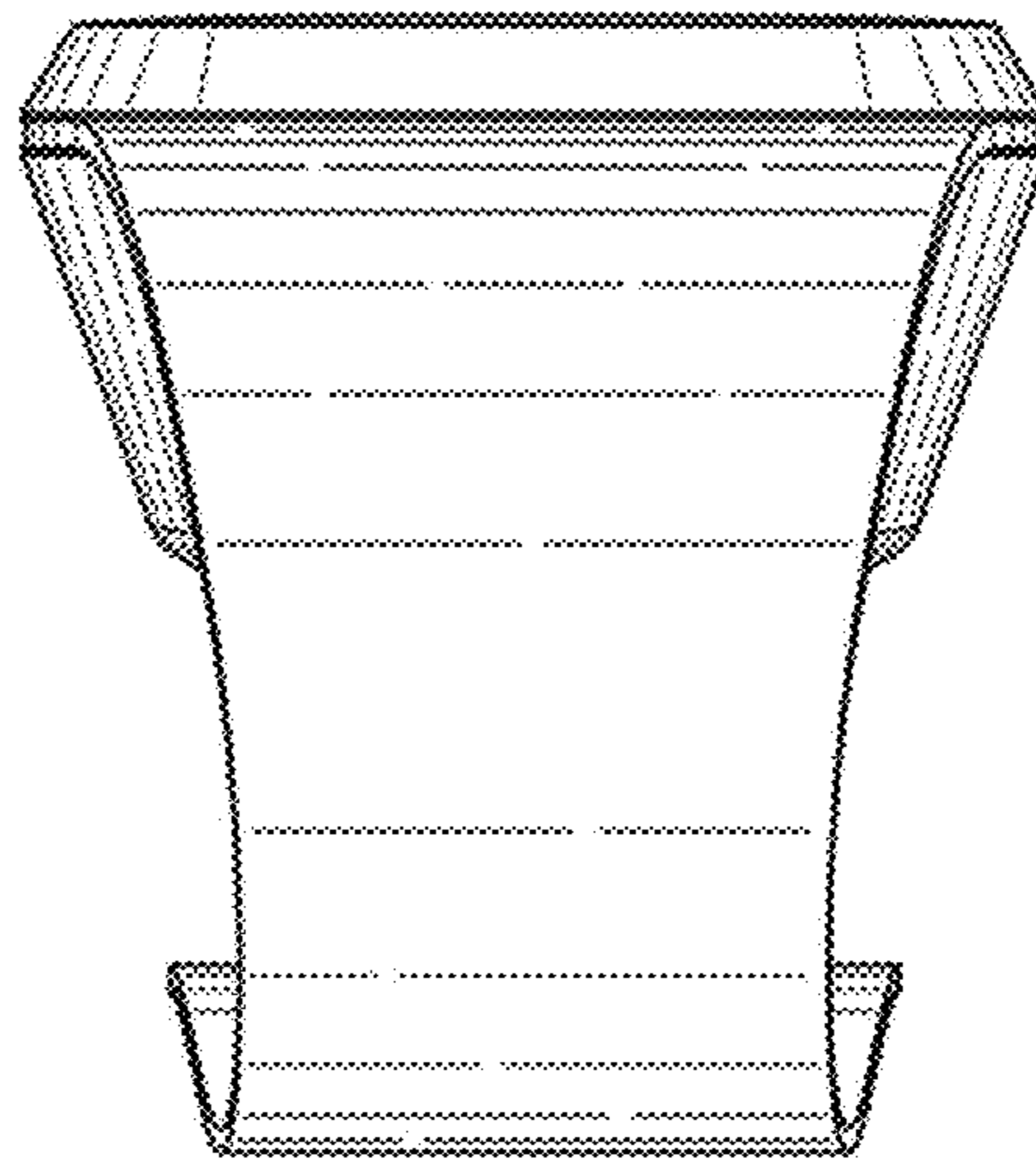


FIG. 7