



US00D889739S

(12) **United States Design Patent** (10) **Patent No.:** **US D889,739 S**
Ringrose et al. (45) **Date of Patent:** **** Jul. 7, 2020**

- (54) **CASE**
- (71) Applicant: **JUUL Labs, Inc.**, San Francisco, CA (US)
- (72) Inventors: **Alexander Ringrose**, San Francisco, CA (US); **Roxolana Wacyk**, San Francisco, CA (US); **Brandon Cheung**, San Francisco, CA (US); **James Monsees**, San Francisco, CA (US); **Kevin Lomeli**, San Francisco, CA (US); **Richard Johnson**, San Francisco, CA (US)
- (73) Assignee: **JUUL Labs, Inc.**, San Francisco, CA (US)
- (*) Notice: This patent is subject to a terminal disclaimer.
- (**) Term: **15 Years**
- (21) Appl. No.: **29/656,500**
- (22) Filed: **Jul. 12, 2018**
- (51) **LOC (12) Cl.** **27-06**
- (52) **U.S. Cl.**
USPC **D27/186**
- (58) **Field of Classification Search**
USPC D27/100, 101, 139-161, 162-196; D23/366; D24/110; D19/101, 106, 115, D19/165, 195; D7/416; D3/212, 247
CPC A24F 47/00; A24F 47/002; A24F 15/12; A24F 1/32; A24F 15/18
See application file for complete search history.

- 1,706,244 A 3/1929 Louis
 - 1,998,683 A 4/1935 Montgomery
 - 2,231,909 A 2/1941 Hempal
 - D138,373 S * 7/1944 Crane 206/256
 - D139,041 S * 10/1944 Morrison D27/189
 - D141,079 S * 5/1945 Bogoff 220/DIG. 26
- (Continued)

FOREIGN PATENT DOCUMENTS

- AU 2017202891 A1 5/2017
 - CN 101869356 A 10/2010
- (Continued)

OTHER PUBLICATIONS

JUUL Portable Charging Case . earliest review dated May 29, 2019. found online [Jun. 14, 2019] https://www.juul.com/shop/accessories/portable-charging-case.*

(Continued)

Primary Examiner — Marissa J Cash
(74) *Attorney, Agent, or Firm* — Mintz Levin Cohn Ferris Glovsky and Popeo, P.C.

(57) **CLAIM**

The ornamental design for a case, as shown and described.

DESCRIPTION

FIG. 1 is a front, top, and right side perspective view of a case showing our new design;
FIG. 2 is a rear, top, and right side perspective view thereof;
FIG. 3 is a right side view thereof;
FIG. 4 is left side view thereof;
FIG. 5 is a front view thereof;
FIG. 6 is a rear view thereof;
FIG. 7 is a top view thereof; and,
FIG. 8 is a bottom view thereof.
The dash-dash broken lines illustrate portions of the case that form no part of the claimed design.

1 Claim, 8 Drawing Sheets

- (56) **References Cited**
U.S. PATENT DOCUMENTS
799,844 A 9/1905 Fuller
1,163,183 A 12/1915 Stoll
1,505,748 A 8/1924 Louis



(56)

References Cited

U.S. PATENT DOCUMENTS

D248,244 S 6/1978 Beleckis
 4,207,976 A 6/1980 Herman
 4,798,310 A 1/1989 Kasai et al.
 D332,324 S * 1/1993 Howey, Jr. D27/128
 D352,601 S * 11/1994 Dallaire D28/78
 D379,010 S * 4/1997 Digiani D27/189
 D379,553 S * 5/1997 DiGianni D27/189
 D380,063 S * 6/1997 Digiani D27/189
 D384,821 S * 10/1997 Sugar D27/186
 D384,822 S * 10/1997 Sugar D27/186
 D385,653 S * 10/1997 Wicker D27/187
 D398,715 S * 9/1998 Descalzo D27/186
 D409,329 S * 5/1999 Bucher D27/186
 D414,891 S * 10/1999 Schmaling D27/186
 5,967,310 A 10/1999 Hill
 D416,105 S * 11/1999 Garrison D27/189
 6,726,006 B1 4/2004 Funderburk et al.
 D514,741 S 2/2006 Cohen Harel
 D527,182 S * 8/2006 Ham D3/274
 D536,480 S 2/2007 Park
 D595,454 S * 6/2009 Fuente D27/189
 D596,350 S * 7/2009 Fuente D27/189
 D596,788 S * 7/2009 Fuente D27/189
 D612,094 S * 3/2010 Bellamah D27/189
 D626,688 S * 11/2010 Gibson D27/183
 D656,093 S * 3/2012 Nomi D13/107
 D656,496 S 3/2012 Andre et al.
 D664,636 S 7/2012 Robinson et al.
 D666,811 S * 9/2012 Yang D3/247
 D681,268 S 4/2013 Wu
 D689,818 S 9/2013 Sasada
 D692,177 S * 10/2013 Angiolillo D27/189
 D692,615 S * 10/2013 Verleur D27/186
 D693,054 S * 11/2013 Verleur D27/189
 D697,715 S * 1/2014 Dietrich D3/247
 8,794,244 B2 8/2014 Hammel et al.
 D715,051 S * 10/2014 Tung D3/294
 D719,701 S 12/2014 Scatterday
 8,910,783 B2 12/2014 Liu
 D723,735 S 3/2015 Liu
 D725,823 S 3/2015 Scatterday et al.
 8,967,382 B2 3/2015 Liu
 8,978,663 B2 3/2015 Newton
 9,078,472 B2 7/2015 Liu
 9,089,166 B1 7/2015 Scatterday
 9,155,336 B2 10/2015 Liu
 9,198,464 B2 12/2015 Liu
 9,226,526 B2 1/2016 Liu
 D752,808 S 3/2016 Hearn
 9,271,525 B2 3/2016 Liu
 9,271,526 B2 3/2016 Liu
 D754,920 S * 4/2016 Domon D27/189
 9,302,825 B2 4/2016 Liu
 D760,431 S 6/2016 Liu
 9,357,802 B2 6/2016 Liu
 D770,679 S 11/2016 Weigensberg
 D772,480 S 11/2016 Hua
 9,504,278 B2 11/2016 Liu
 D776,340 S * 1/2017 Seibel D27/189
 D779,726 S * 2/2017 Bennett D27/189
 D789,599 S * 6/2017 Kesselman D27/189
 9,668,522 B2 6/2017 Memari et al.
 D793,004 S 7/2017 Liu
 D800,380 S 10/2017 Williams et al.
 9,775,380 B2 10/2017 Fernando et al.
 D806,312 S * 12/2017 Leon D27/183
 D811,005 S * 2/2018 Fath D27/189
 D812,289 S * 3/2018 Ward D27/172
 D812,290 S * 3/2018 Ward D27/172
 D815,346 S 4/2018 Bagai
 D818,195 S * 5/2018 Burger D27/186
 D818,640 S * 5/2018 Kakoun D27/189
 D824,094 S 7/2018 Rein
 D825,102 S * 8/2018 Bowen D27/167
 D829,375 S 9/2018 Huang et al.

D829,982 S 10/2018 Wang
 D829,983 S 10/2018 Wang
 D830,626 S 10/2018 Gu
 D833,671 S 11/2018 Stephane
 D836,832 S * 12/2018 Kesselman D27/186
 10,194,689 B2 * 2/2019 Schennum A45C 13/007
 2002/0088469 A1 7/2002 Rennecamp
 2009/0014019 A1 * 1/2009 Park A24F 25/00
 131/328
 2009/0283103 A1 11/2009 Nielsen et al.
 2010/0301032 A1 12/2010 Johnson
 2010/0307518 A1 12/2010 Wang
 2010/0313901 A1 12/2010 Fernando et al.
 2011/0120482 A1 * 5/2011 Brenneise A24F 47/008
 131/328
 2011/0265806 A1 11/2011 Alarcon et al.
 2012/0103842 A1 * 5/2012 Koester A24F 17/00
 206/273
 2012/0227753 A1 9/2012 Newton
 2013/0146489 A1 6/2013 Scatterday
 2013/0220847 A1 8/2013 Fisher et al.
 2013/0336358 A1 12/2013 Liu
 2013/0342157 A1 12/2013 Liu
 2014/0007892 A1 1/2014 Liu
 2014/0020697 A1 1/2014 Liu
 2014/0041655 A1 * 2/2014 Barron A61M 11/042
 128/202.21
 2014/0053856 A1 2/2014 Liu
 2014/0053858 A1 2/2014 Liu
 2014/0130797 A1 5/2014 Liu
 2015/0034507 A1 2/2015 Liu
 2015/0041482 A1 2/2015 Liu
 2015/0059779 A1 3/2015 Alarcon et al.
 2015/0100441 A1 4/2015 Alarcon et al.
 2015/0101945 A1 4/2015 Scatterday
 2015/0102777 A1 4/2015 Cooper
 2015/0114410 A1 4/2015 Doster
 2015/0164138 A1 6/2015 Liu
 2015/0201676 A1 7/2015 Shin
 2015/0245654 A1 9/2015 Memari et al.
 2015/0327596 A1 11/2015 Alarcon et al.
 2015/0332379 A1 11/2015 Alarcon
 2015/0333561 A1 11/2015 Alarcon
 2016/0091194 A1 3/2016 Liu
 2016/0095353 A1 4/2016 Liu
 2016/0101909 A1 4/2016 Schennum et al.
 2016/0113323 A1 4/2016 Liu
 2016/0120218 A1 5/2016 Schennum et al.
 2016/0134143 A1 5/2016 Liu
 2016/0165952 A1 6/2016 Liu
 2016/0204637 A1 7/2016 Alarcon et al.
 2016/0206000 A1 7/2016 Lord et al.
 2016/0366933 A1 12/2016 Liu
 2016/0374390 A1 12/2016 Liu
 2017/0013875 A1 1/2017 Schennum et al.
 2017/0027221 A1 2/2017 Liu
 2017/0050798 A1 2/2017 Ludewig et al.
 2017/0101256 A1 4/2017 Zeitlin et al.
 2017/0119044 A1 5/2017 Oligschlaeger et al.
 2017/0150758 A1 6/2017 Fernando et al.
 2017/0181471 A1 6/2017 Phillips et al.
 2017/0207499 A1 7/2017 Leadley
 2017/0208865 A1 7/2017 Nettenstrom et al.
 2017/0214261 A1 7/2017 Gratton
 2017/0222468 A1 8/2017 Schennum et al.
 2017/0290371 A1 10/2017 Davis et al.
 2017/0334605 A1 11/2017 Murphy et al.
 2018/0141714 A1 * 5/2018 Kanbar B65D 25/04
 2019/0158938 A1 * 5/2019 Bowen H04W 4/20
 2019/0159519 A1 * 5/2019 Bowen A24F 47/008

FOREIGN PATENT DOCUMENTS

CN 304067429 3/2017
 EP 3031338 A1 6/2016
 EP 3143882 A3 3/2017
 WO WO-2014117382 A1 8/2014
 WO WO-2014185937 A1 11/2014

(56)

References Cited

FOREIGN PATENT DOCUMENTS

WO	WO-2015015156	A1	2/2015
WO	WO-2015174657	A1	11/2015
WO	WO-2015196395	A1	12/2015
WO	WO-2016106483	A1	7/2016
WO	WO-2016149942	A1	9/2016
WO	WO-2017173947	A1	10/2017

OTHER PUBLICATIONS

Brik—Slimmest Portable JUUL Charging Case by Brik . earliest review date: Jun. 3, 2018. found online [Dec. 20, 2018] <https://brikcharger.com/products/brik?gclid=EAlalQobChM175ffobrnv3w1VTIqGCh08BwU6EAQYASABEglWvPD BwE#shopify-product-reviews>.

* cited by examiner

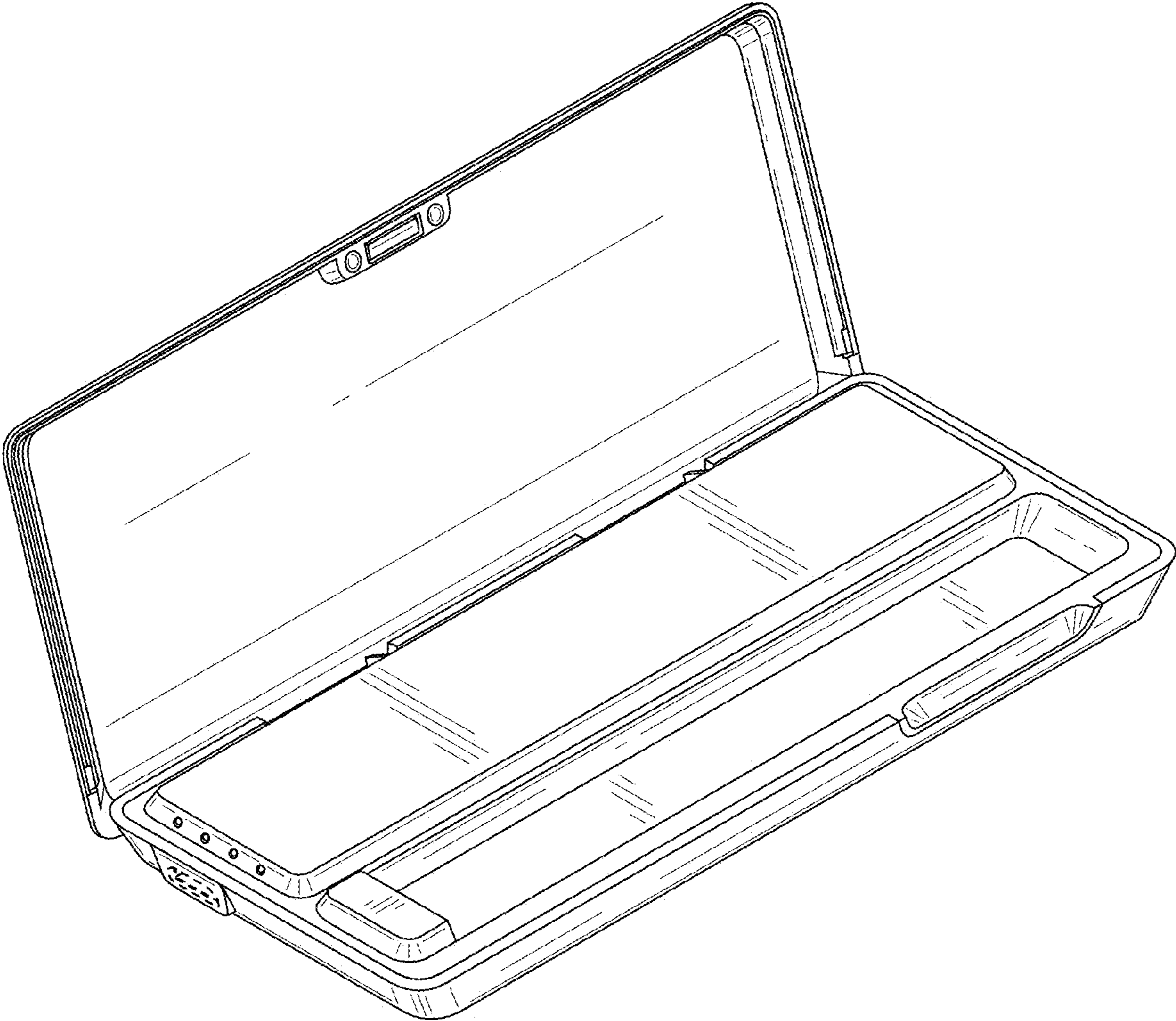


FIG. 1

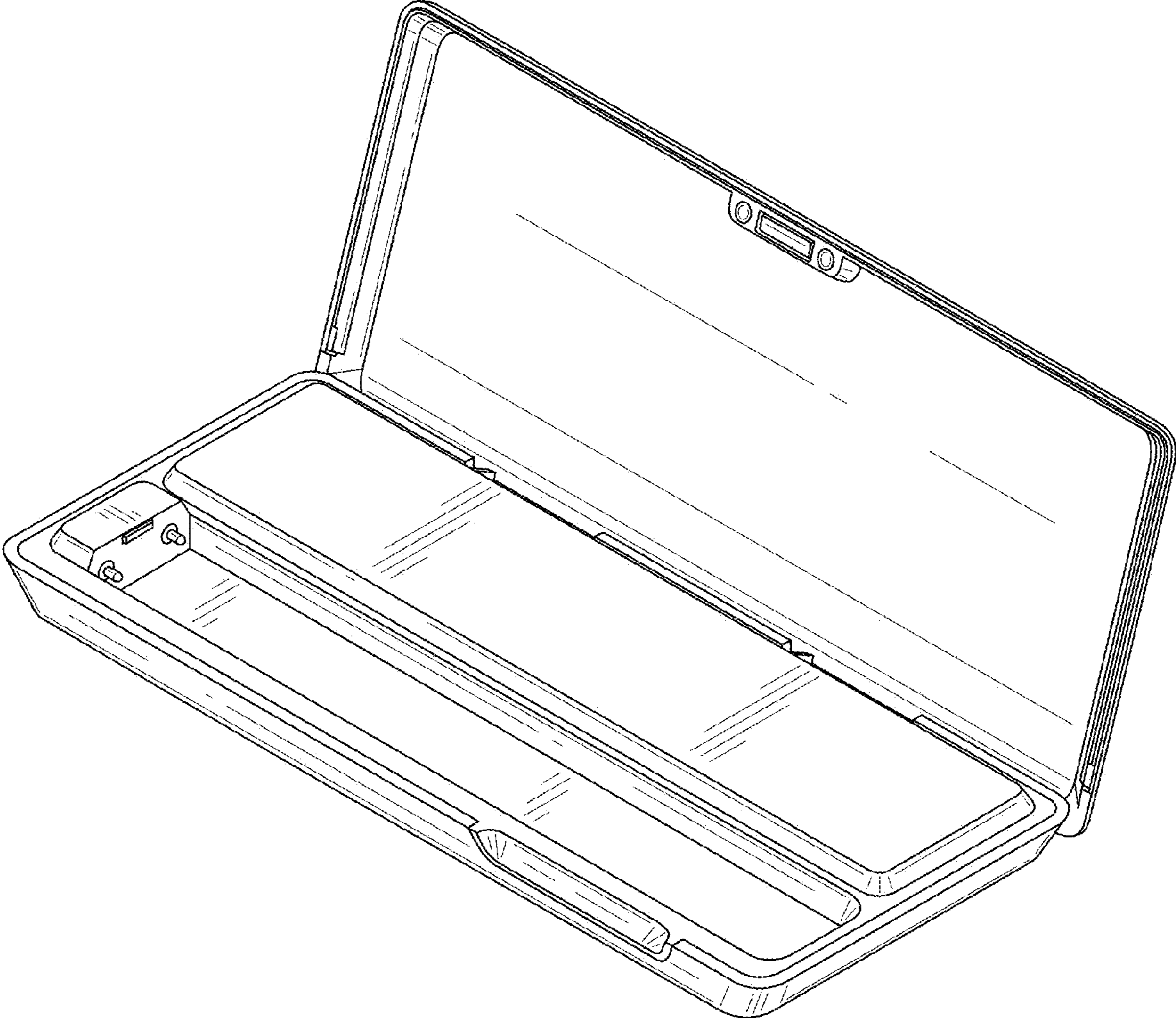


FIG. 2

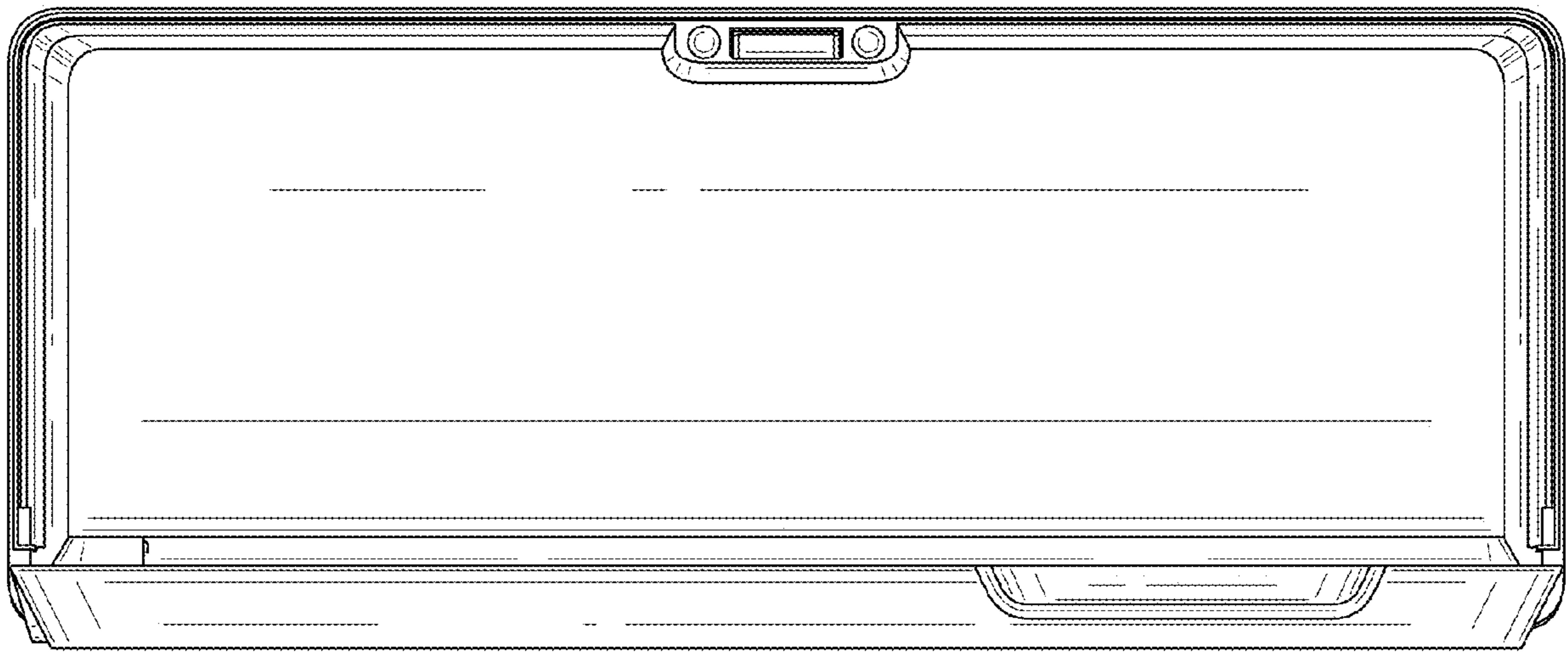


FIG. 3

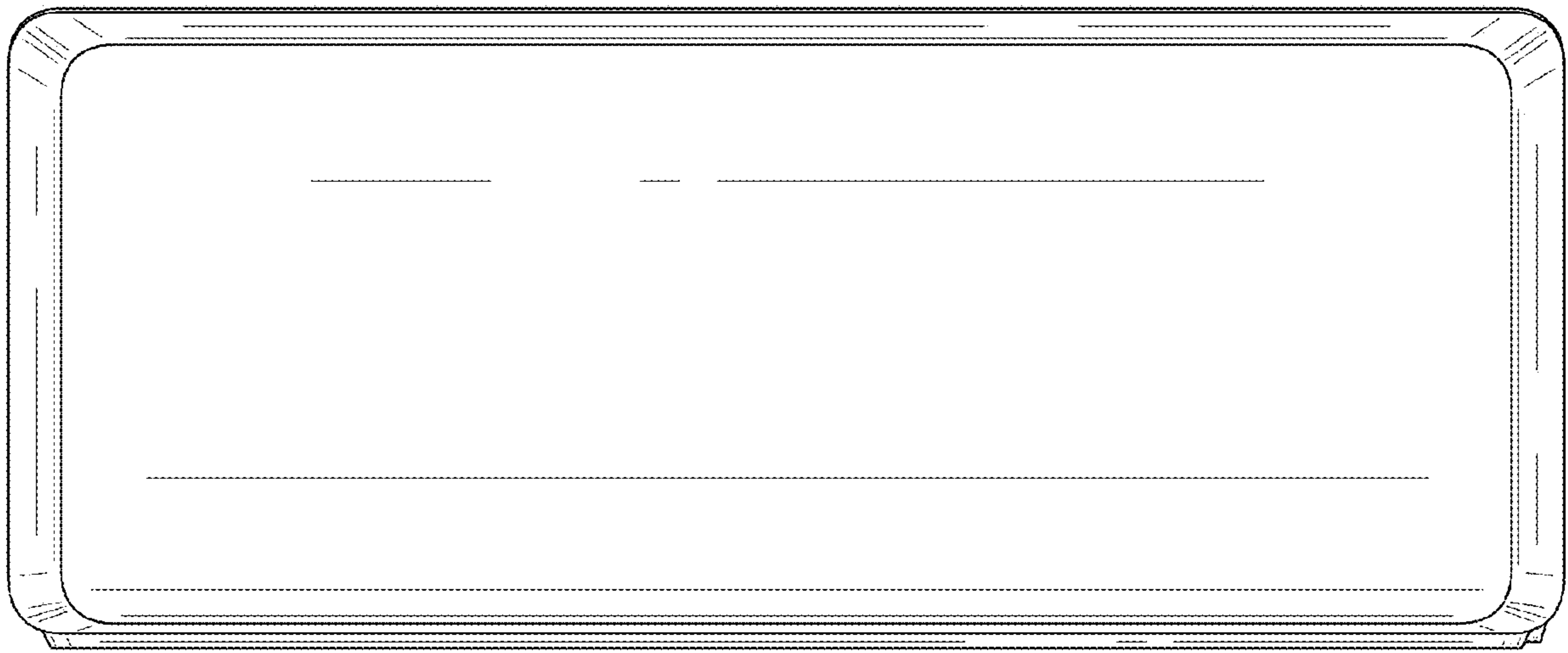


FIG. 4

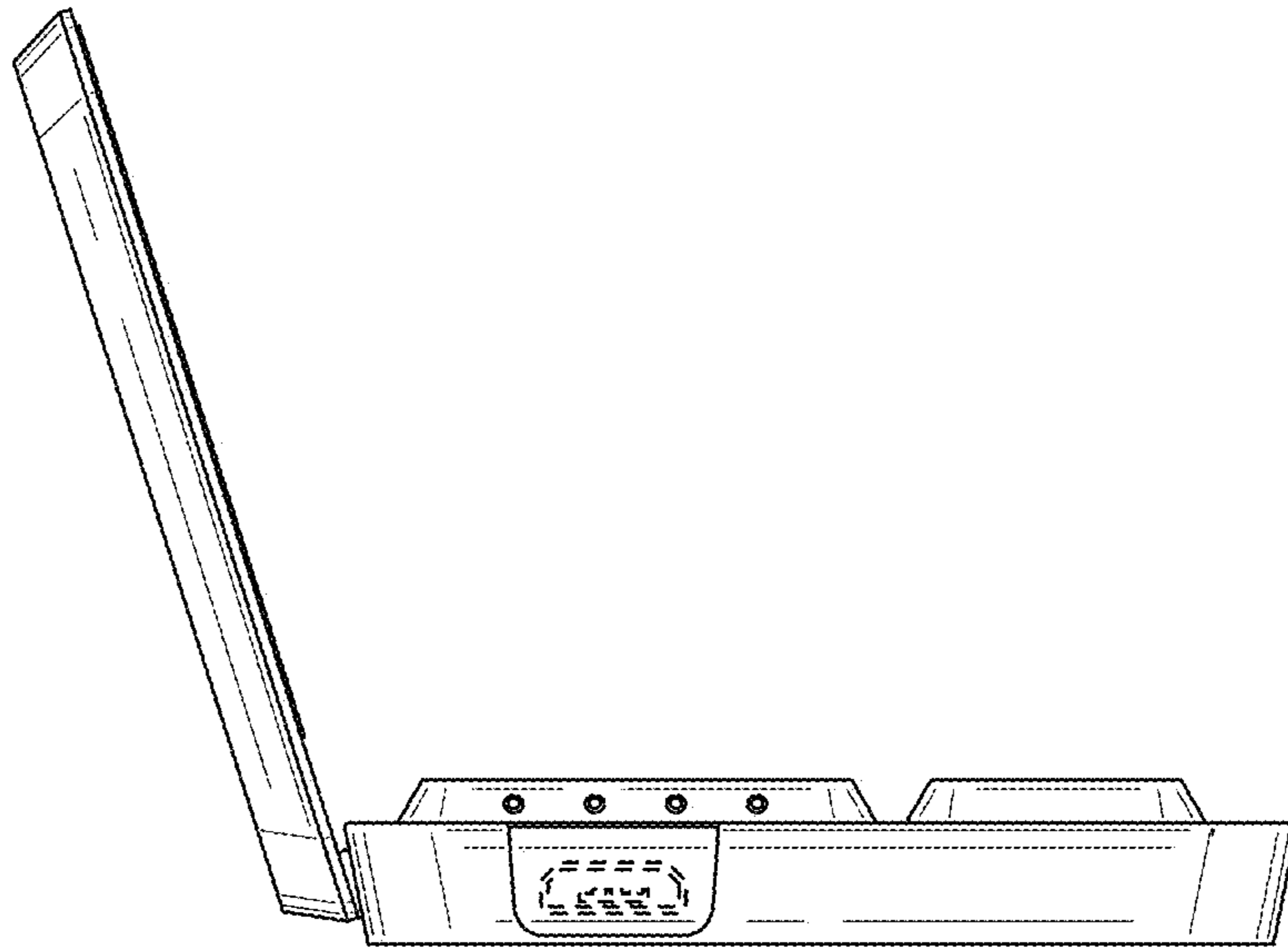


FIG. 5

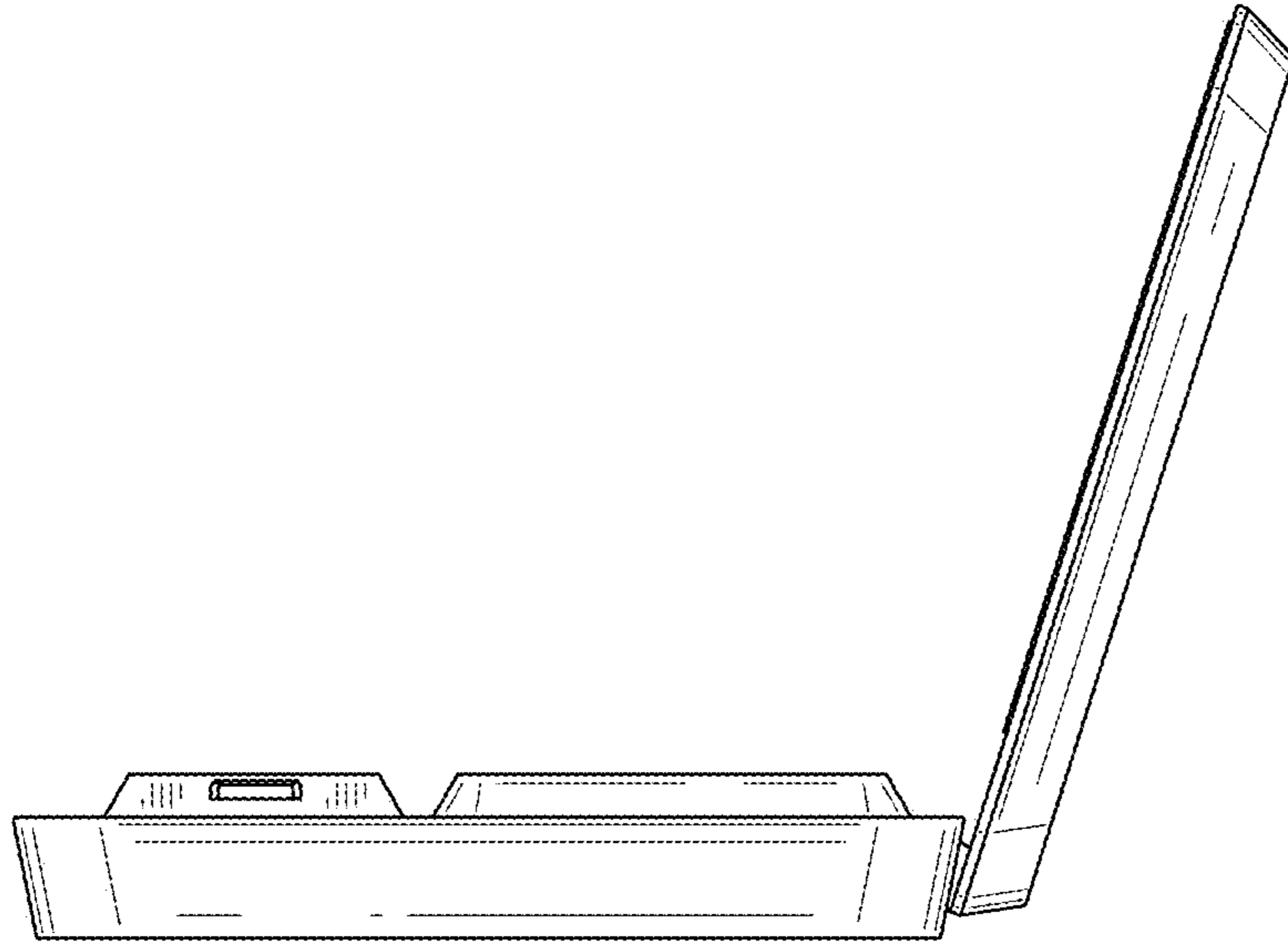


FIG. 6

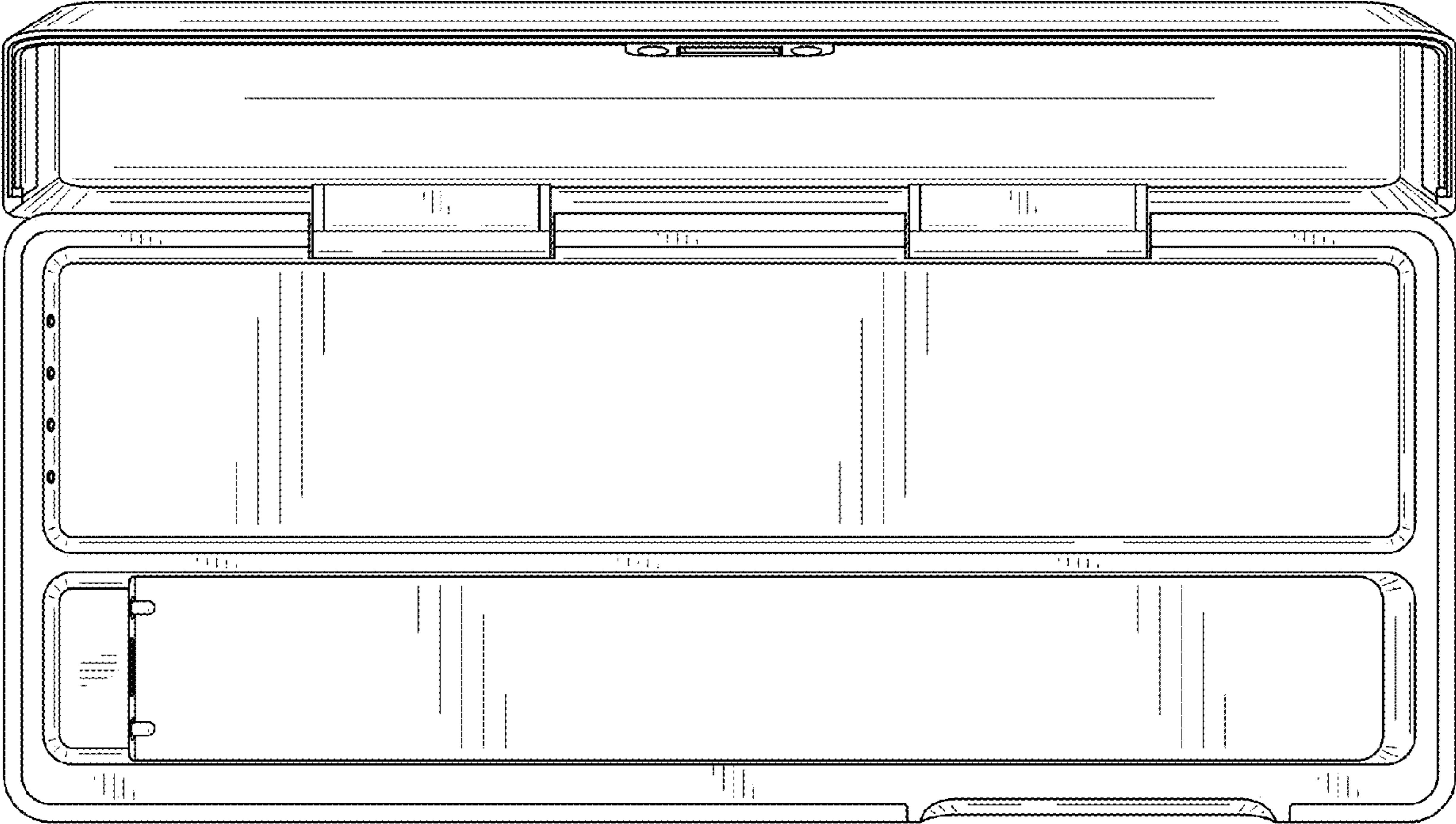


FIG. 7

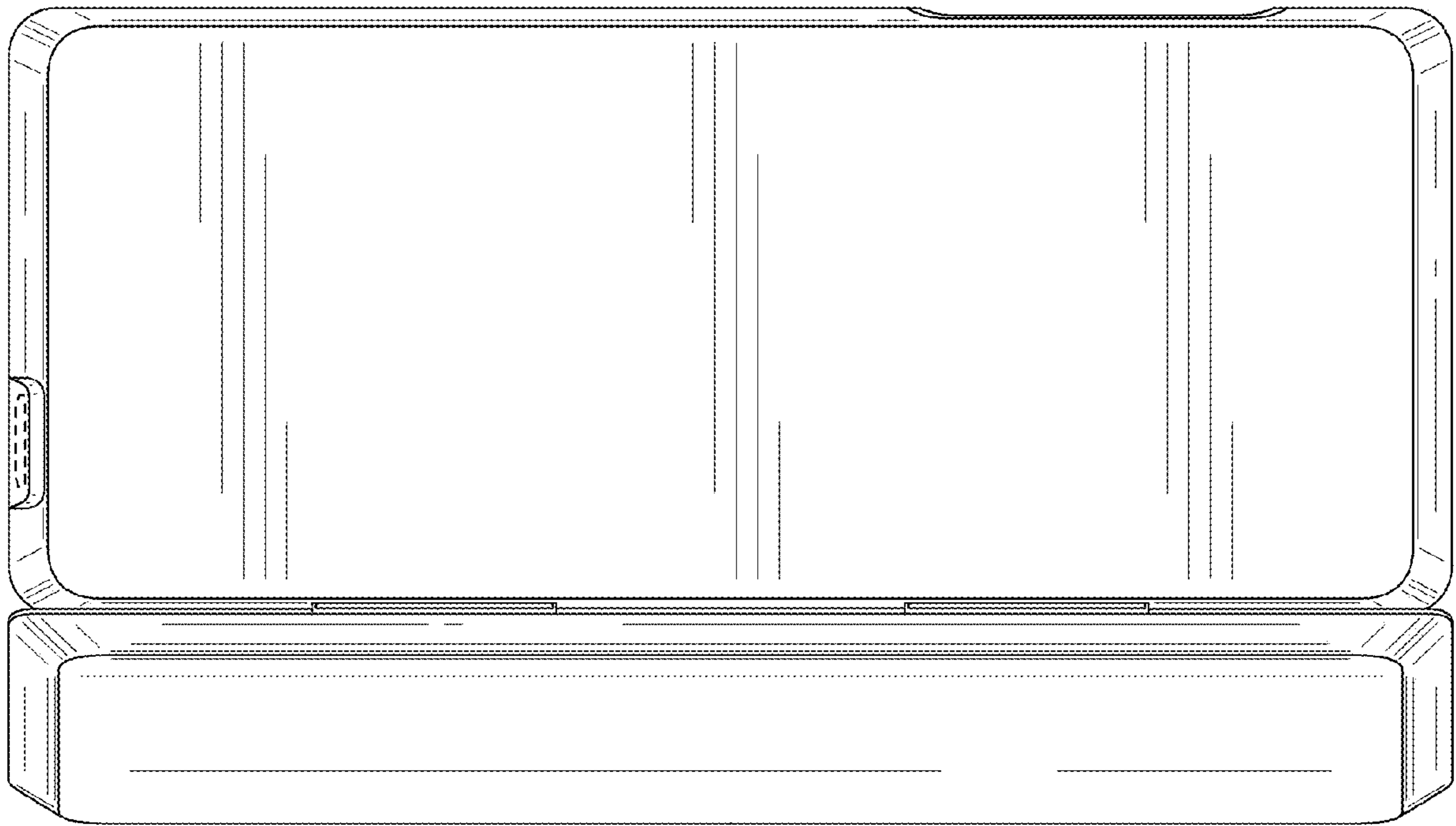


FIG. 8