



US00D889734S

(12) **United States Design Patent** (10) **Patent No.:** **US D889,734 S**
Park (45) **Date of Patent:** **** Jul. 7, 2020**

(54) **LIGHTING ASSEMBLY**
(71) Applicant: **Dukesea Pty. Limited**, Bellingen (AU)
(72) Inventor: **Sinclair Park**, Bellingen (AU)
(73) Assignee: **Dukesea Pty. Limited**, Bellingen (AU)
(**) Term: **15 Years**
(21) Appl. No.: **29/621,785**
(22) Filed: **Oct. 11, 2017**

D581,586 S * 11/2008 Conroy D26/138
D610,280 S * 2/2010 Hua D26/24
D658,328 S * 4/2012 Baldwin D26/138
D687,586 S * 8/2013 Rashidi D26/74
D698,071 S * 1/2014 Messiaen D26/74
D699,390 S * 2/2014 Langer D26/138
D709,643 S * 7/2014 Kohler D26/138
D734,434 S * 7/2015 Witkowski D23/249
D743,617 S * 11/2015 Clifton-Draper D26/114
9,194,562 B2 * 11/2015 Kim F21V 21/00
D818,185 S * 5/2018 Wilson D26/138
D818,192 S * 5/2018 Price D26/138
D818,632 S * 5/2018 Kotovsky D26/118
D819,259 S * 5/2018 McTaggart D26/128
D831,879 S * 10/2018 Minale D26/113

(30) **Foreign Application Priority Data**
Apr. 12, 2017 (AU) 201712160
(51) **LOC (12) Cl.** **26-05**
(52) **U.S. Cl.**
USPC **D26/138**
(58) **Field of Classification Search**
USPC D26/1, 24, 26–28, 37–50, 61, 62, 63, 64,
D26/65, 66, 71, 72, 73, 74, 75, 87, 89,
D26/76, 78, 79, 80, 81, 82, 83, 85, 86,
D26/88, 90, 113, 118, 119, 120, 121, 138
CPC F21Y 2107/30; F21V 29/507; F21S 2/00;
F21S 4/00; F21S 4/003; F21S 4/005;
F21S 4/006; F21S 4/007; F21S 4/008;
F21S 6/00; F21S 8/00; F21S 8/024; F21S
8/026; F21S 8/031
See application file for complete search history.

* cited by examiner

Primary Examiner — Mark A Goodwin
Assistant Examiner — Benjamin M Weeks
(74) *Attorney, Agent, or Firm* — Ipsilon USA, LLP

(56) **References Cited**
U.S. PATENT DOCUMENTS
D204,901 S * 5/1966 Atkin D26/138
D546,762 S * 7/2007 Kovacs D13/134
7,279,633 B2 * 10/2007 Waters H02G 3/08
174/50
D570,036 S * 5/2008 Conroy D26/138

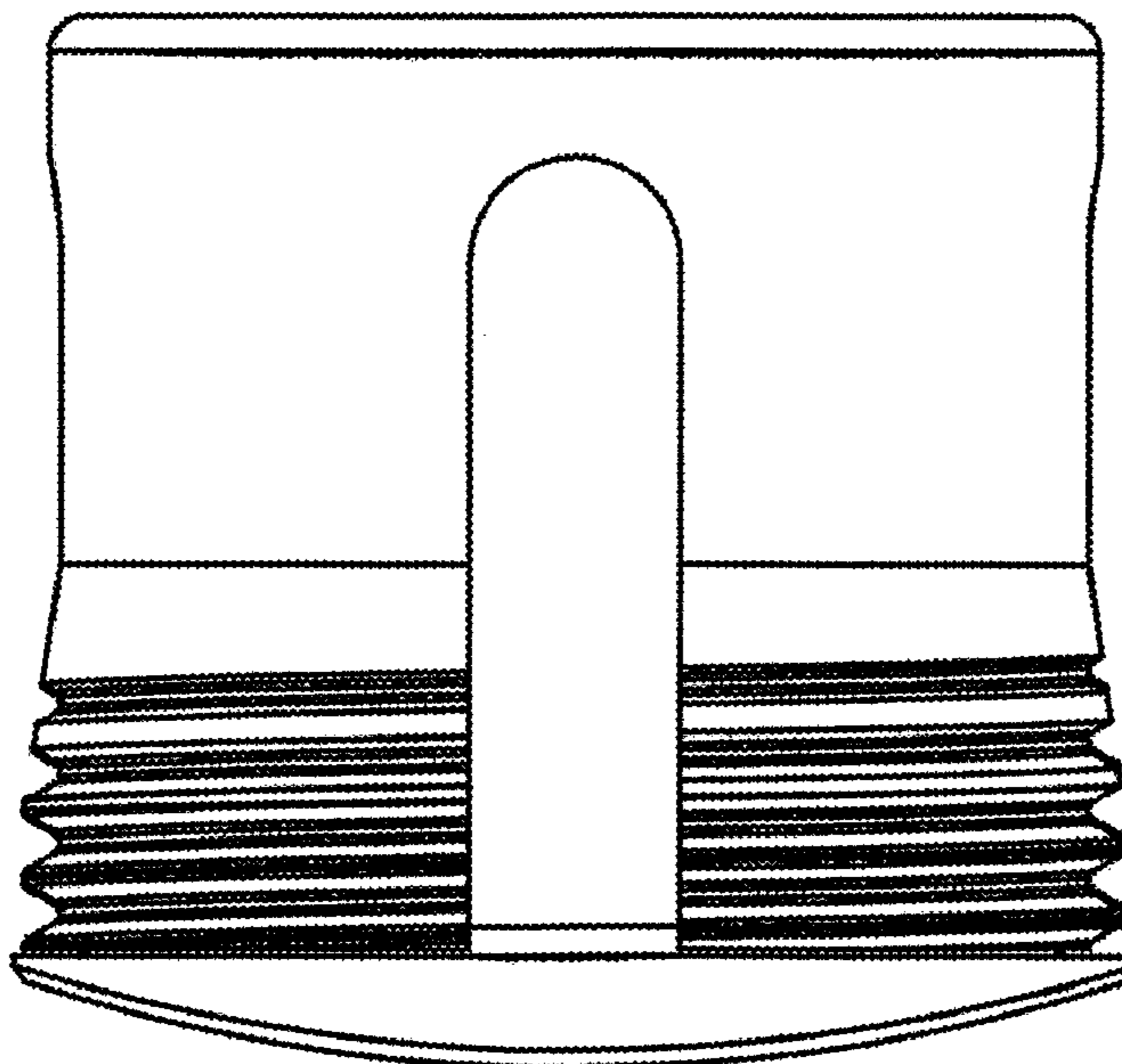
(57) **CLAIM**

The ornamental design for a lighting assembly, as shown and described.

DESCRIPTION

FIG. 1 is a front view showing our new design for lighting assembly
FIG. 2 is a top view thereof,
FIG. 3 is a bottom view thereof,
FIG. 4 is a left side view thereof,
FIG. 5 is a right view thereof,
FIG. 6 is a back view thereof;
FIG. 7 is a perspective view thereof;
FIG. 8 is a perspective view thereof; and,
FIG. 9 is a perspective view thereof.

1 Claim, 8 Drawing Sheets



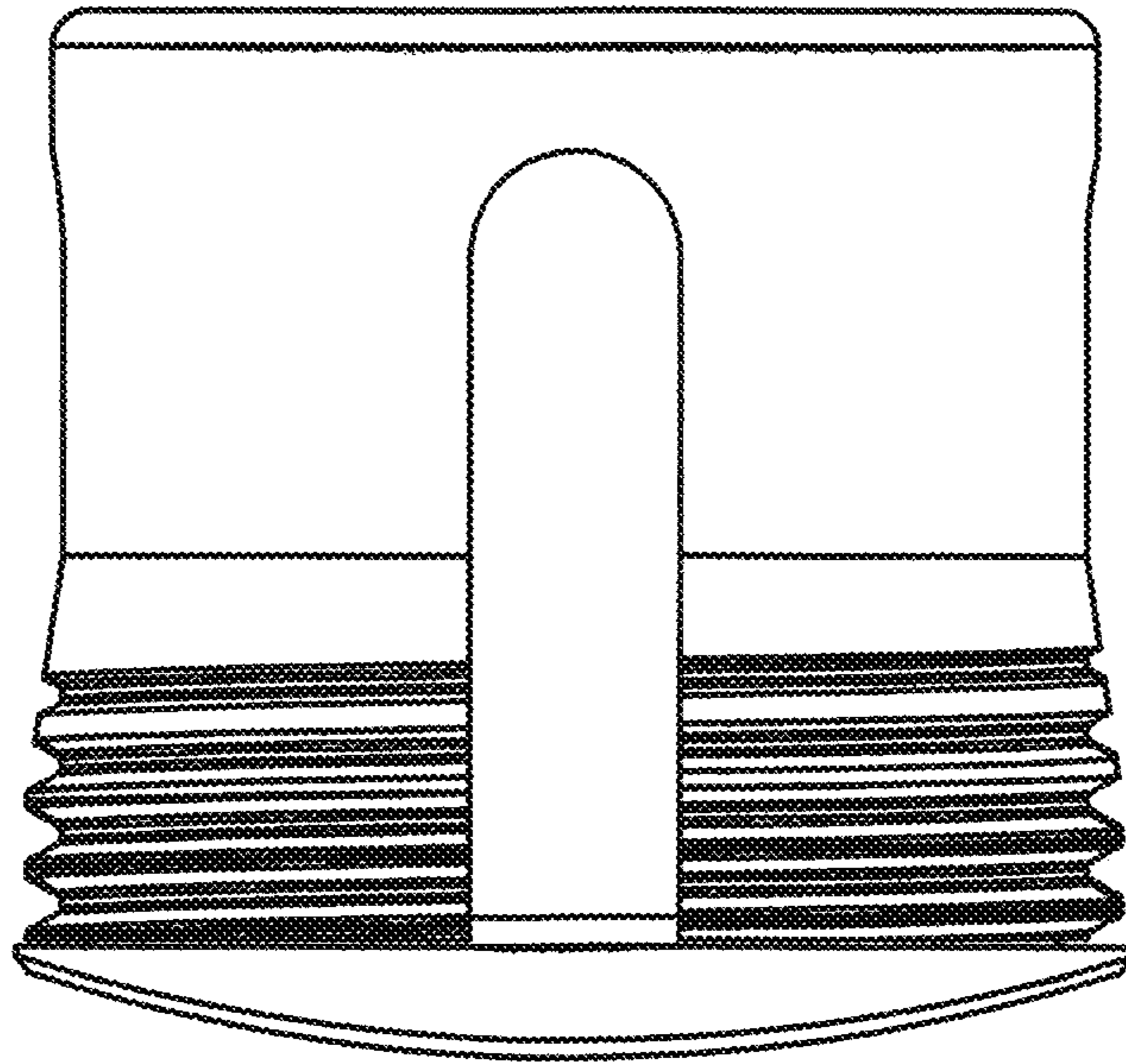


FIGURE 1

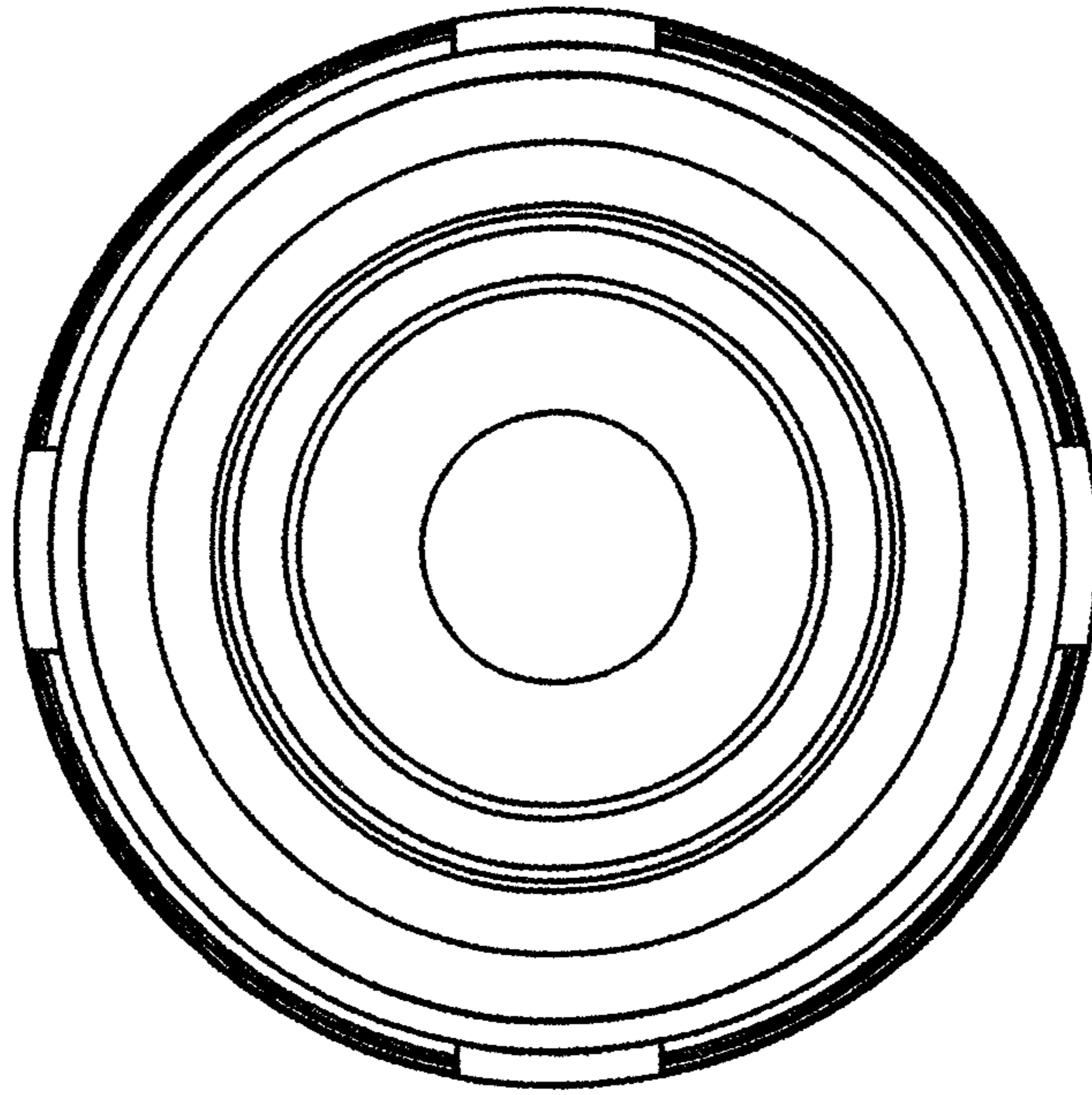


FIGURE 2

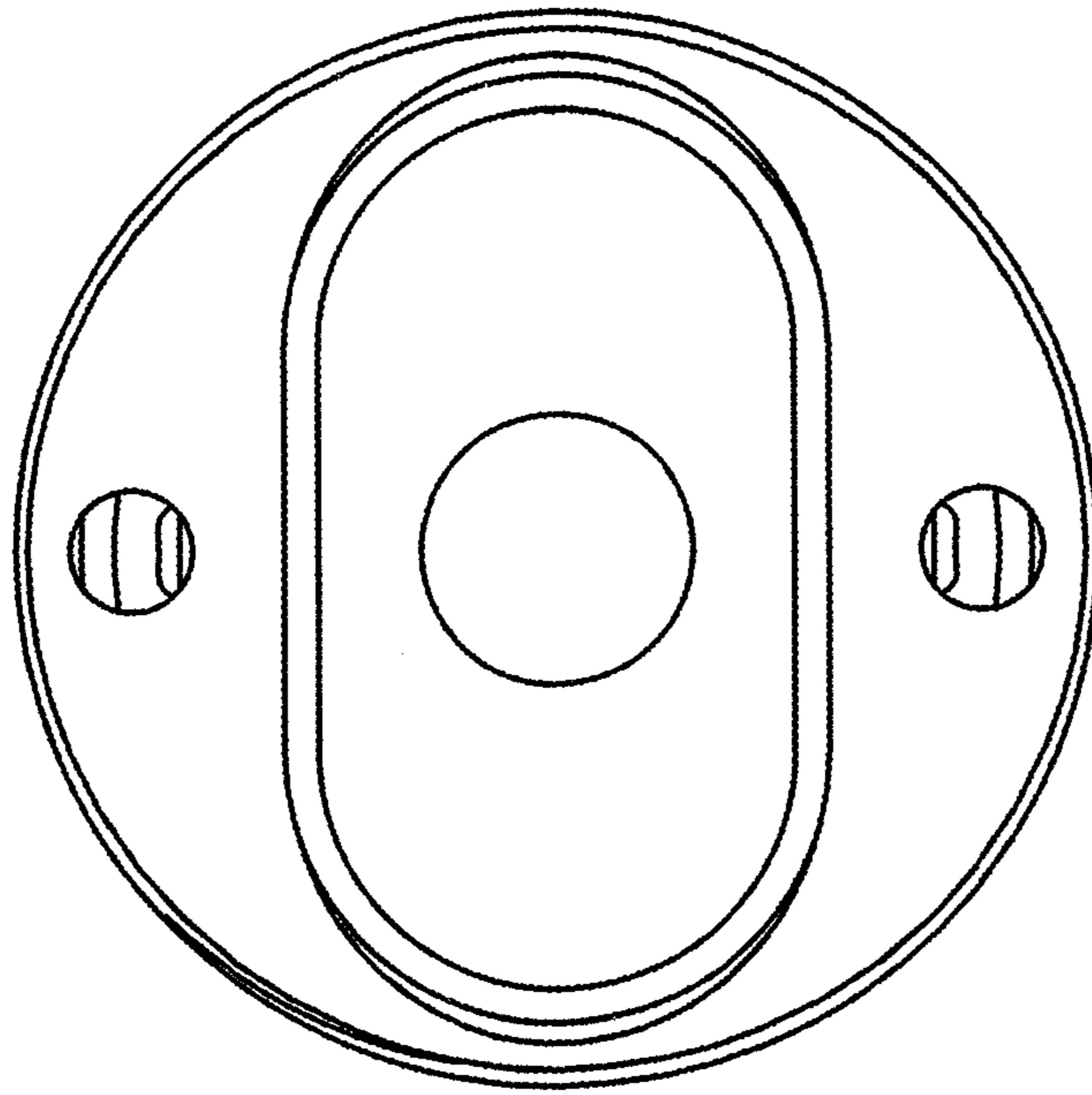


FIGURE 3

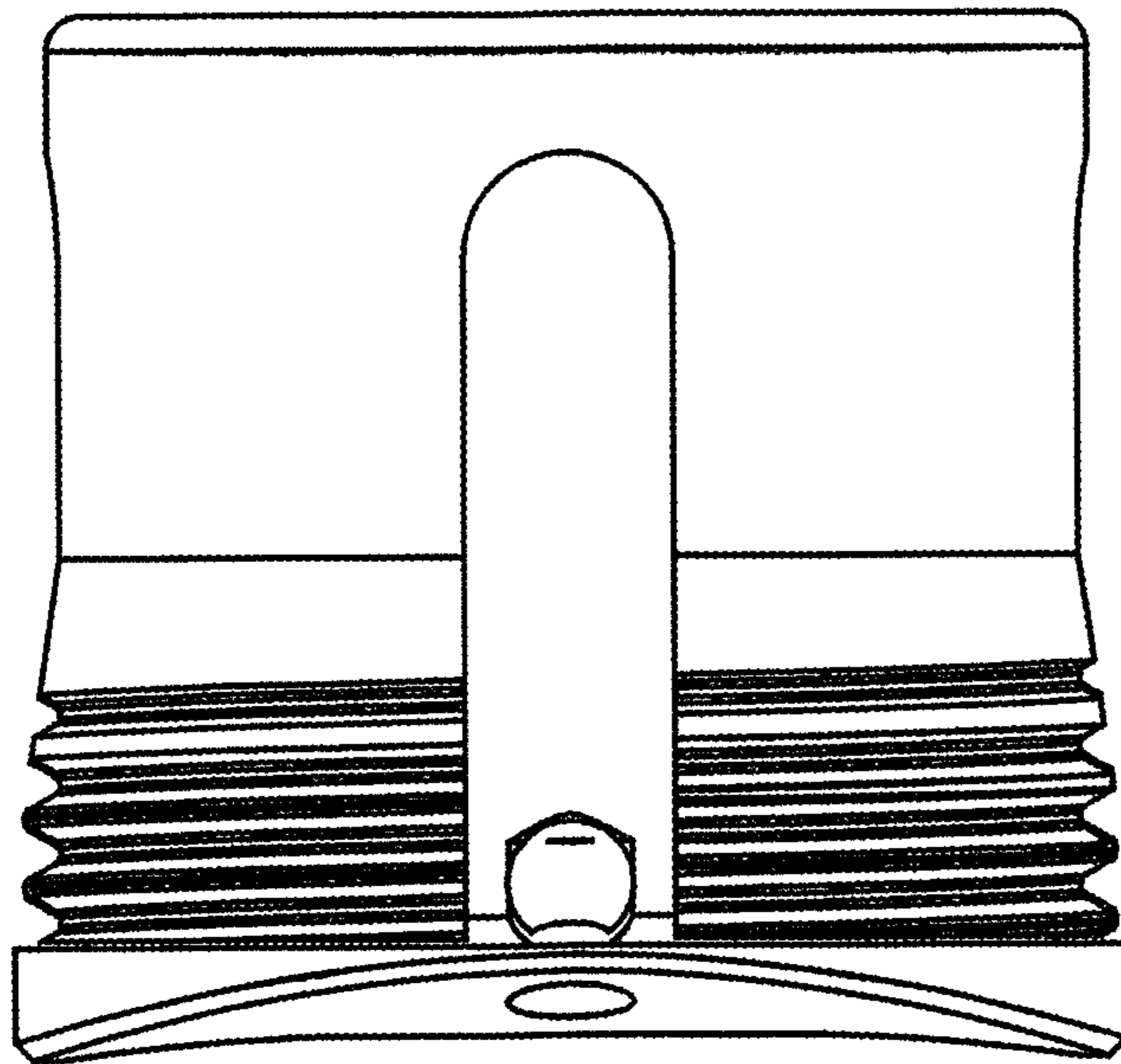


FIGURE 4

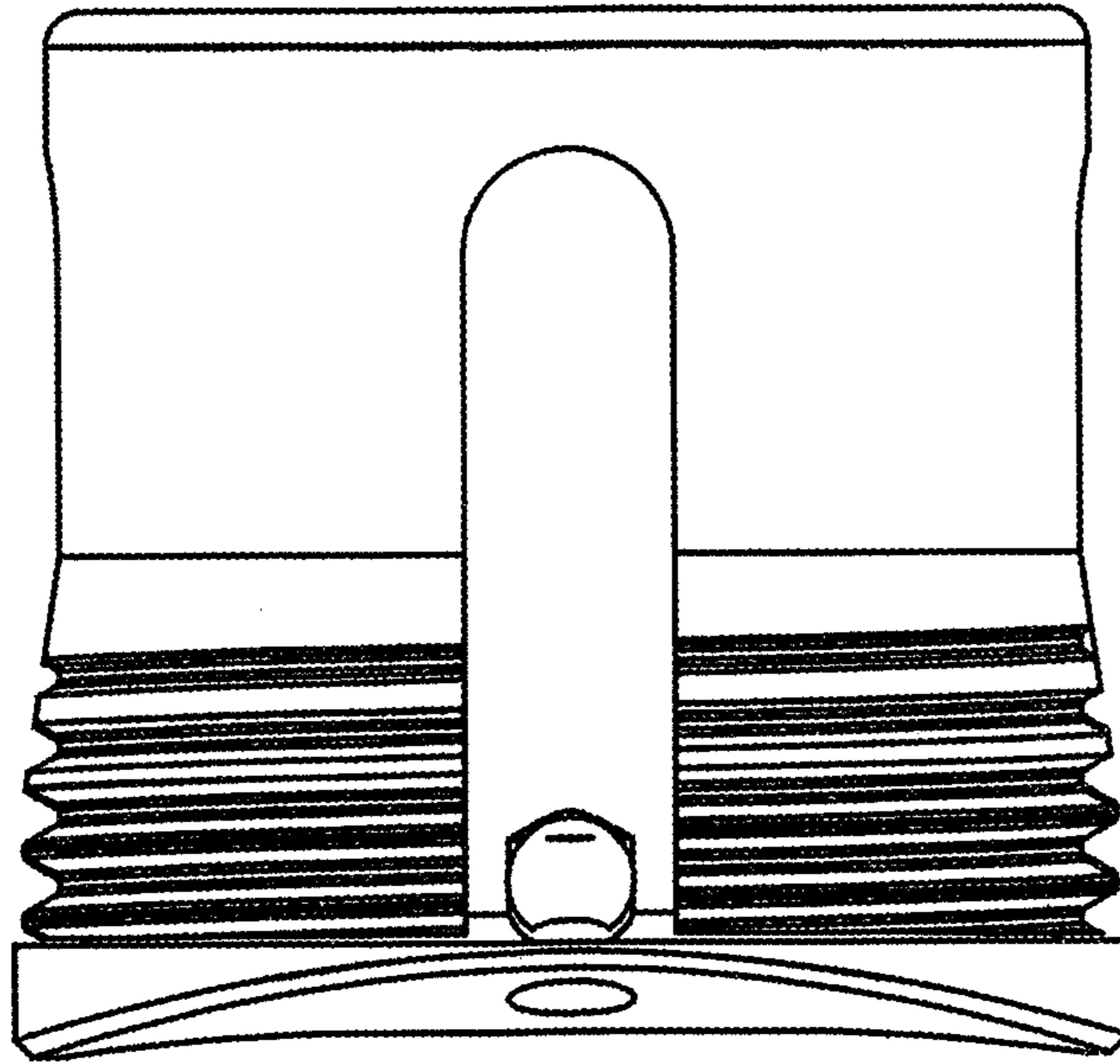


FIGURE 5

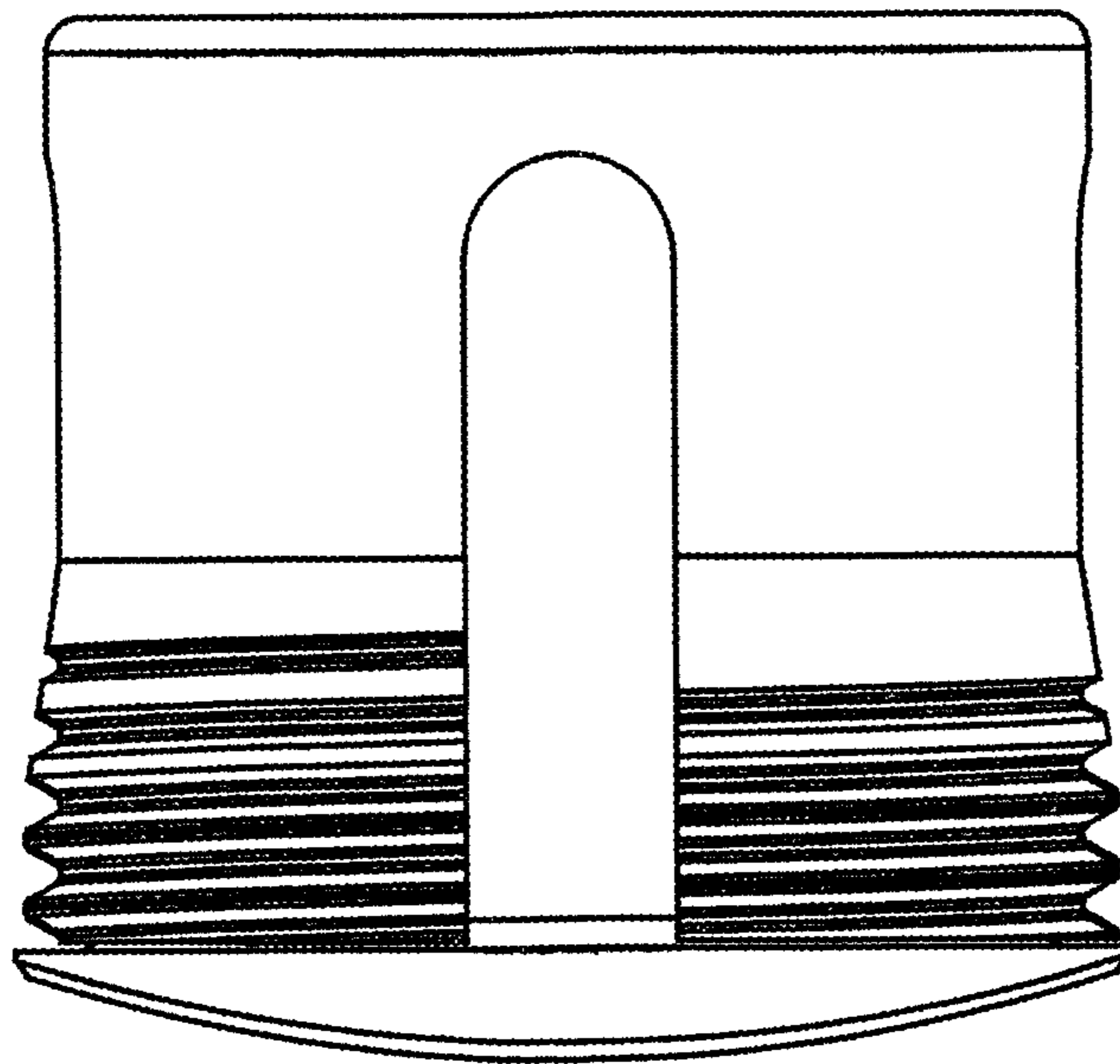


FIGURE 6

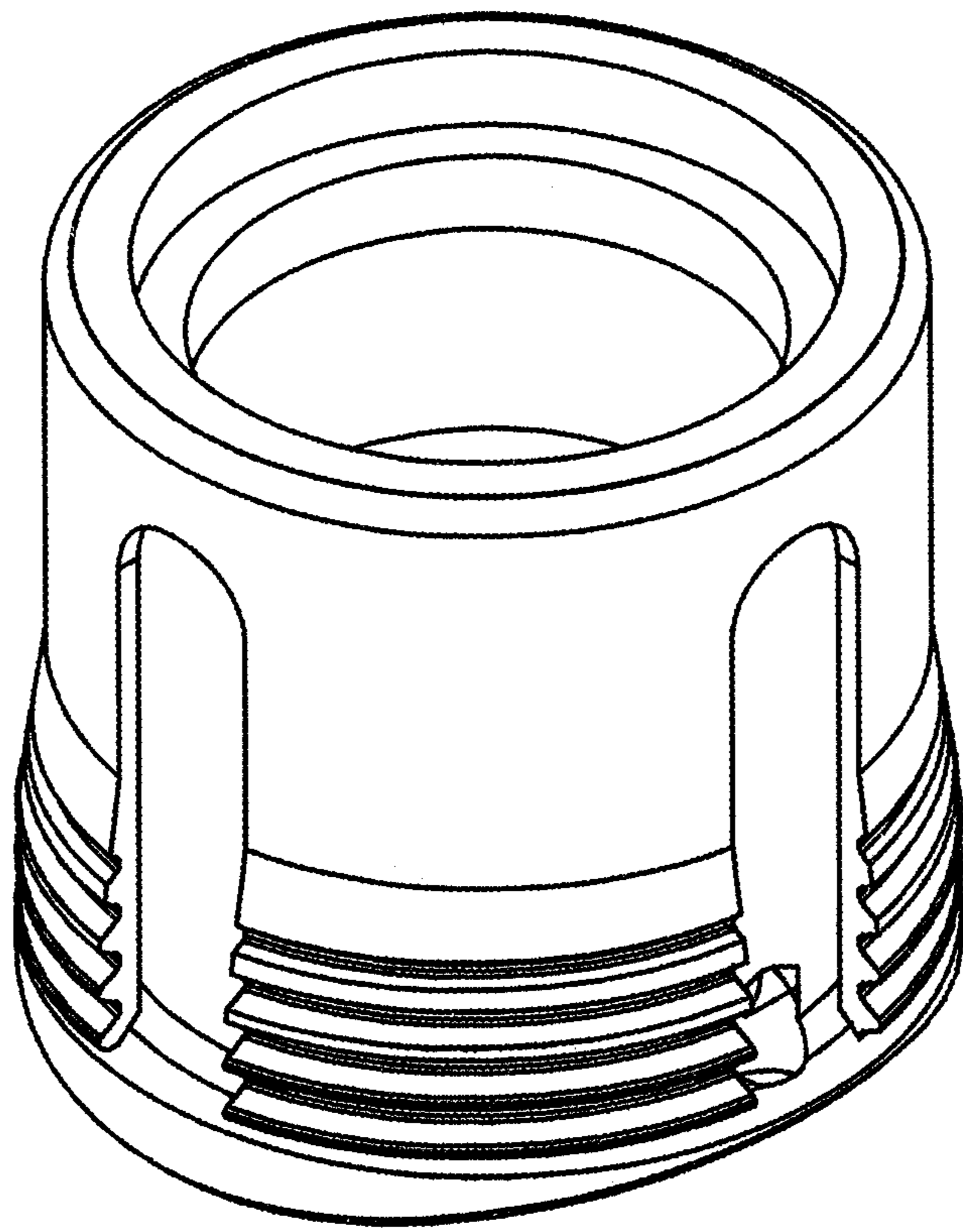


FIGURE 7

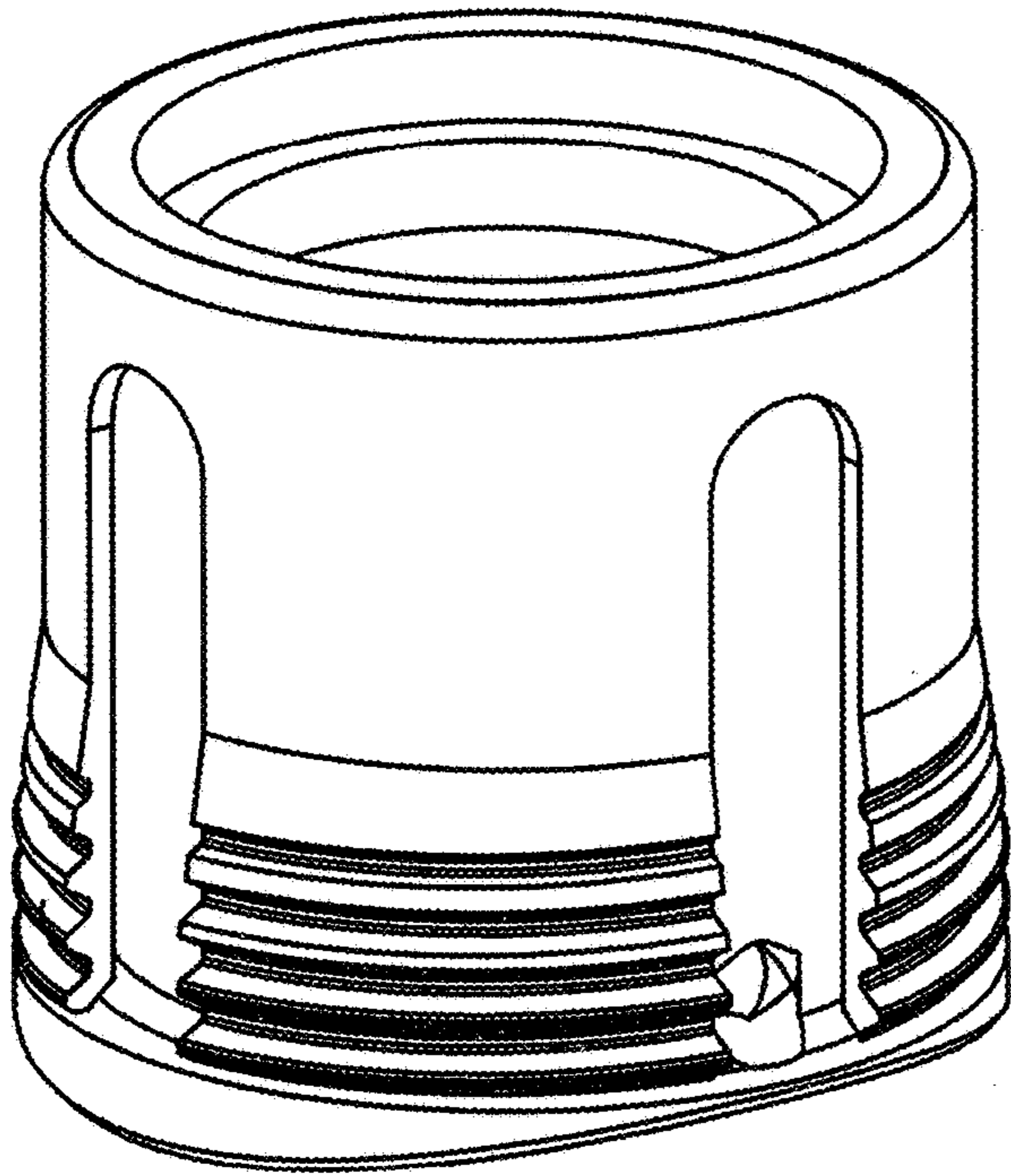


FIGURE 8

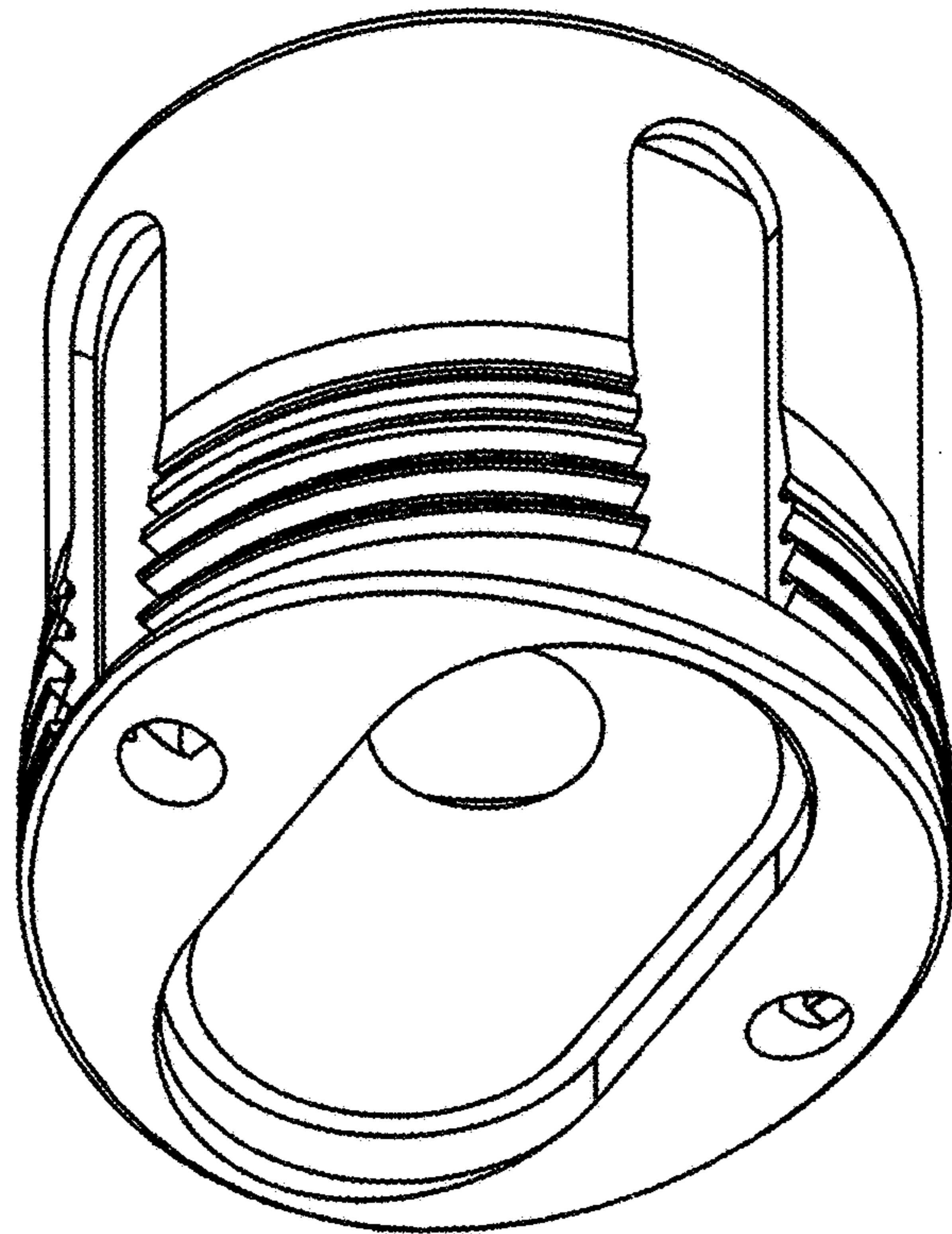


FIGURE 9