



US00D889733S

(12) **United States Design Patent**
Bowles

(10) **Patent No.:** **US D889,733 S**

(45) **Date of Patent:** **** Jul. 7, 2020**

(54) **LIGHT SHADE**

(71) Applicant: **ORIGINAL B.T.C. LIMITED,**
Whitney, Oxfordshire (GB)

(72) Inventor: **Peter Bowles,** Church Hanborough
(GB)

(73) Assignee: **ORIGINAL B.T.C. LIMITED** (GB)

(**) Term: **15 Years**

(21) Appl. No.: **29/654,306**

(22) Filed: **Jun. 22, 2018**

(51) **LOC (12) Cl.** **26-99**

(52) **U.S. Cl.**
USPC **D26/131**

(58) **Field of Classification Search**
USPC D26/51, 63, 76, 78, 79, 80, 81, 82, 83,
D26/85, 86, 87, 88, 90, 93, 94, 105, 113,
D26/118, 119, 120, 121, 123, 128, 130,
D26/131, 137, 138, 139, 140, 141, 142
CPC F21S 2/00; F21S 6/00; F21S 4/00; F21S
4/003; F21S 4/005; F21S 4/006; F21S
4/007; F21S 4/008; F21S 8/00; F21S
8/024; F21S 8/026; F21S 8/031; F21S
8/033; F21S 8/035-037; F21S 8/04; F21S
8/043; F21S 8/063; F21V 7/09
See application file for complete search history.

(56) **References Cited**

U.S. PATENT DOCUMENTS

D68,872 S * 11/1925 D'Olier, Jr. D26/123
1,585,472 A * 5/1926 Dickerson F21V 7/09
362/307

D363,362 S * 10/1995 Davis, Sr. D26/131
D481,156 S * 10/2003 Packer D26/128
D481,157 S * 10/2003 Fickas D26/128
D567,429 S * 4/2008 Pickett D26/128
D607,138 S * 12/2009 Pickett D26/128
D608,044 S * 1/2010 Pickett D26/128
D787,109 S * 5/2017 Sonneman D26/118
D868,346 S * 11/2019 Holmes D26/128
D869,066 S * 12/2019 Sonneman D26/128

* cited by examiner

Primary Examiner — Brian N. Vinson

(74) *Attorney, Agent, or Firm* — Renner Kenner Greive
Bobak Taylor & Weber

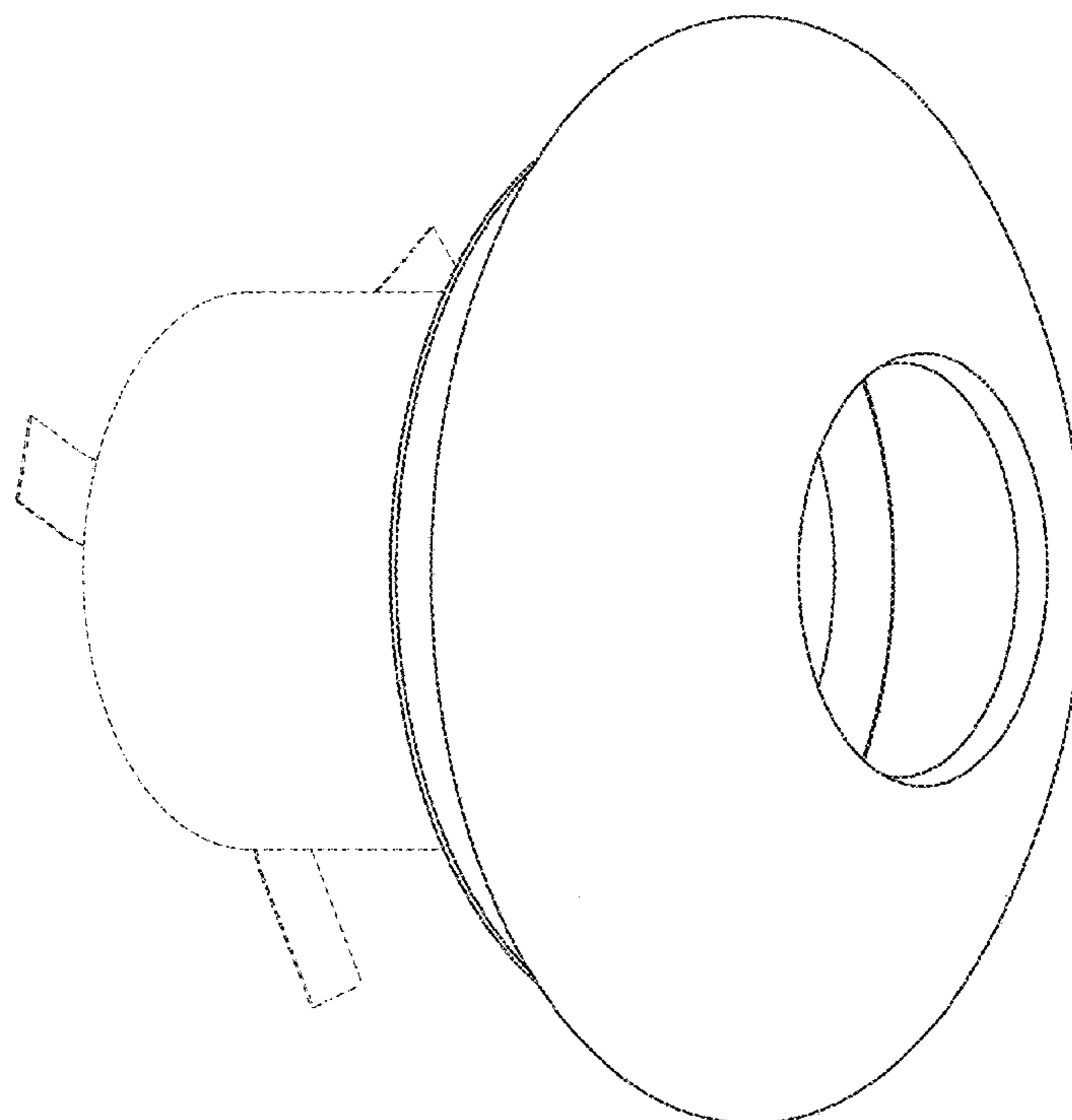
(57) **CLAIM**

The ornamental design of the light shade, as shown and described.

DESCRIPTION

FIG. 1 is a side elevational view of a light shade embodying the concepts of the present design invention;
FIG. 2 is a top plan view of the light shade of FIG. 1;
FIG. 3 is a bottom plan view of the light shade of FIG. 1;
FIG. 4 is a top and side perspective view of the light shade of FIG. 1; and,
FIG. 5 is a bottom and side perspective view of the light shade of FIG. 1.
The broken lines in the drawings are for illustrative purposes only and form no part of the claimed design.
The light shade is symmetrical around a central axis. Thus, the side elevational view of the light shade of FIG. 1 provides the same view at any side elevational view.

1 Claim, 5 Drawing Sheets



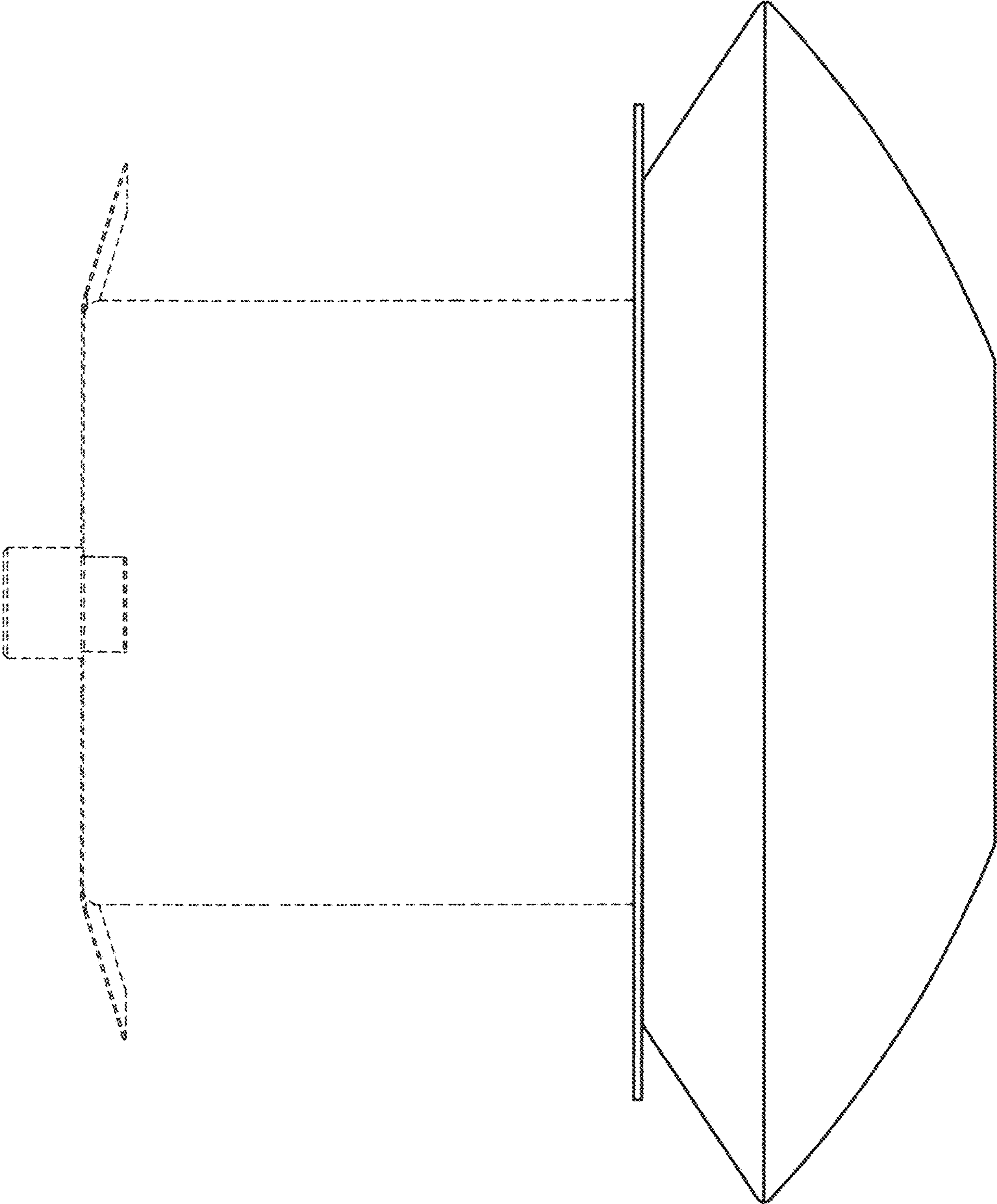


FIG. 1

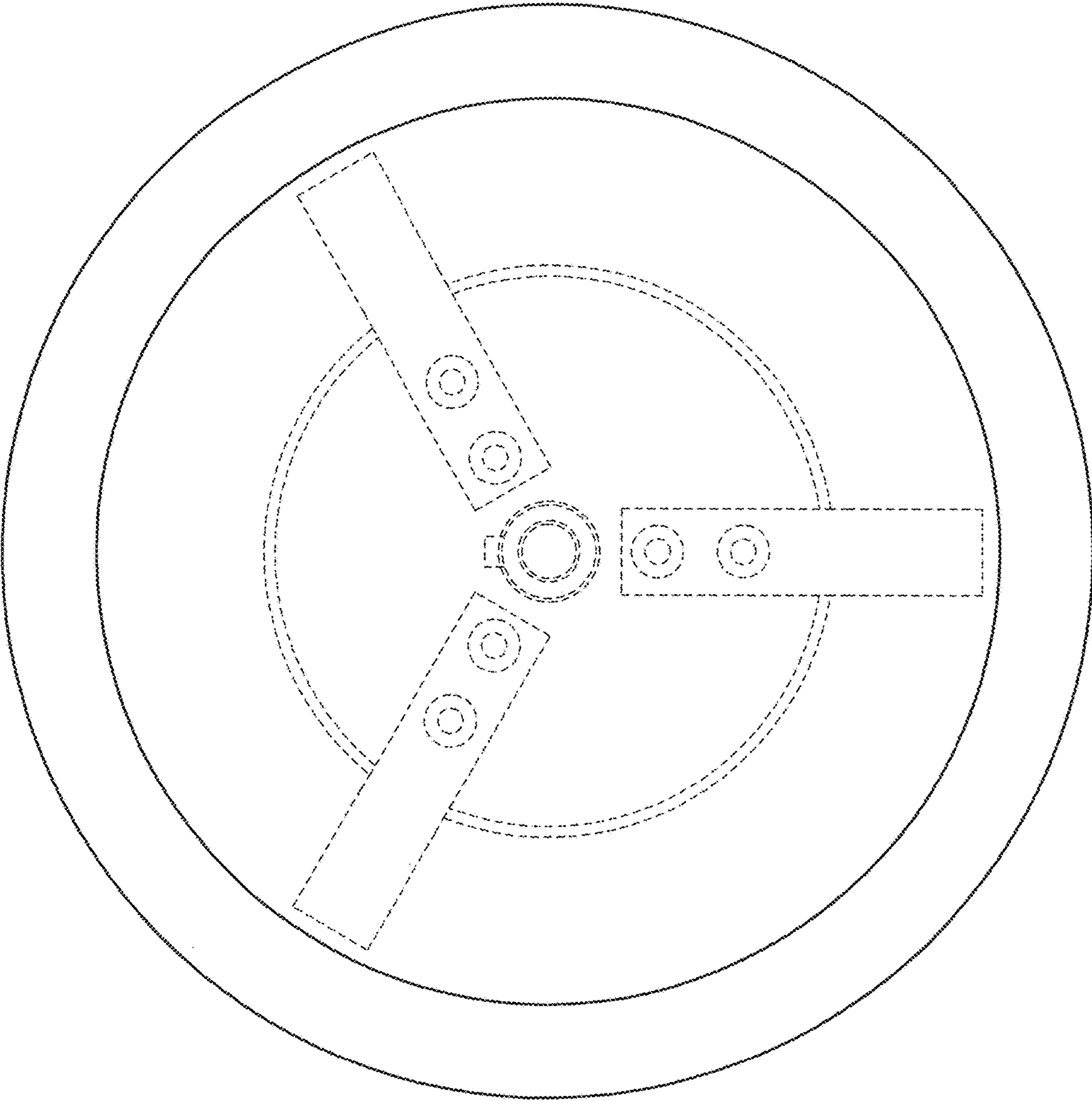


FIG. 2

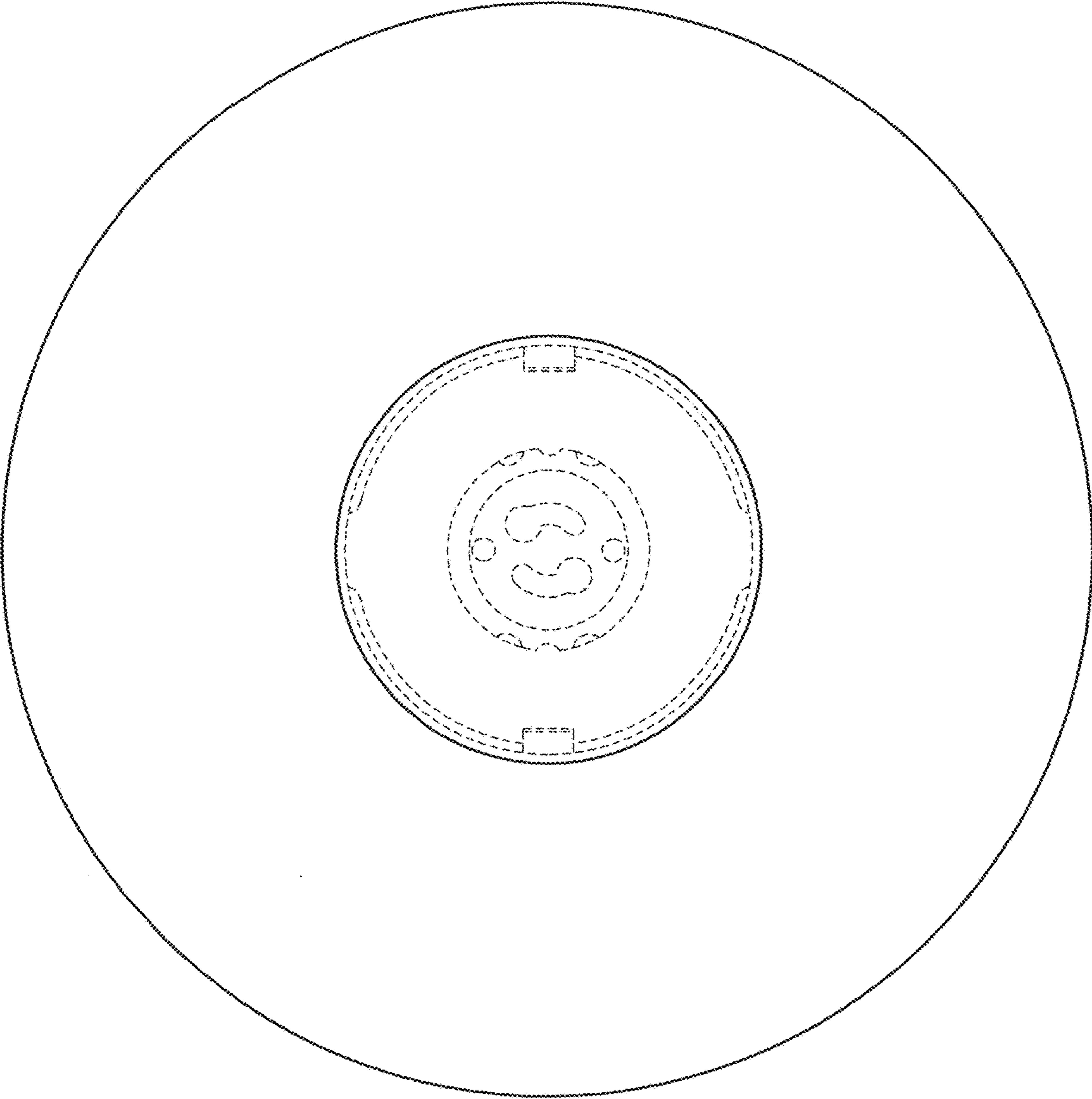


FIG. 3

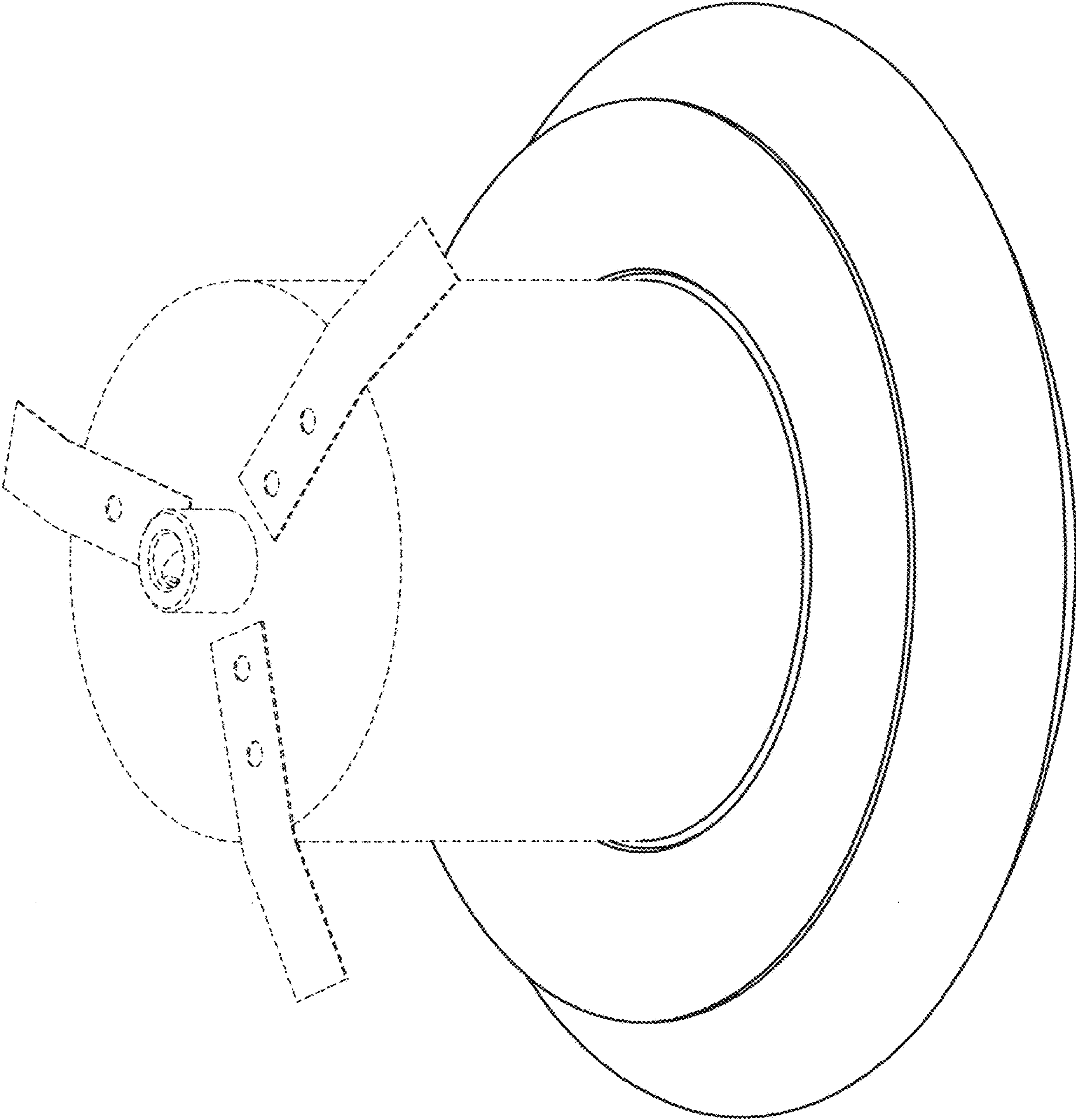


FIG. 4

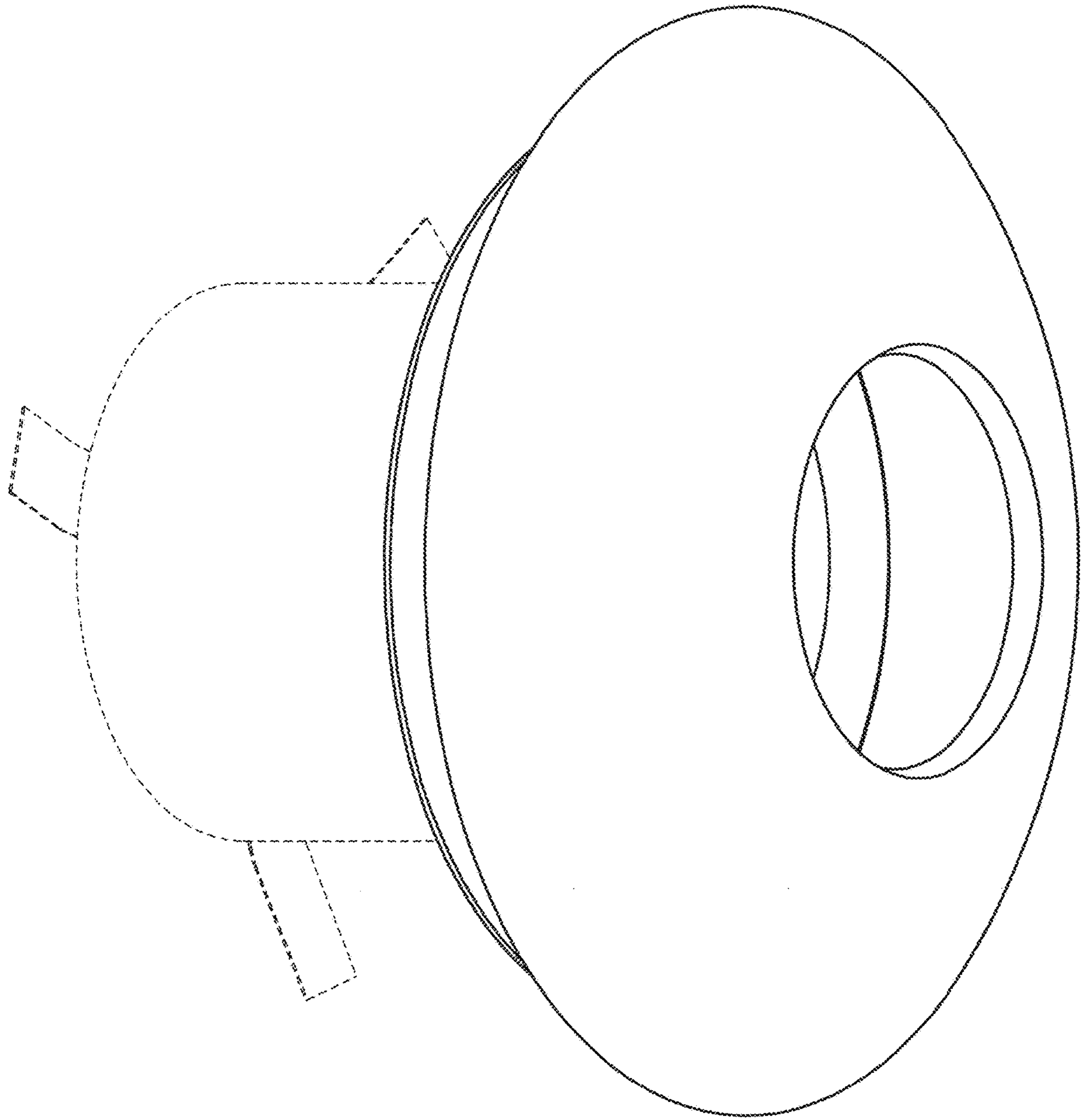


FIG. 5