



US00D889730S

(12) **United States Design Patent**  
**Lin**

(10) **Patent No.:** **US D889,730 S**  
(45) **Date of Patent:** **\*\* Jul. 7, 2020**

(54) **STAR PROJECTION LAMP**  
(71) Applicant: **Muchun Lin**, Shantou (CN)  
(72) Inventor: **Muchun Lin**, Shantou (CN)  
(\*\*) Term: **15 Years**  
(21) Appl. No.: **29/653,288**  
(22) Filed: **Jun. 14, 2018**  
(51) **LOC (12) Cl.** ..... **26-03**  
(52) **U.S. Cl.**  
USPC ..... **D26/110**  
(58) **Field of Classification Search**  
USPC .... D26/1, 24, 104, 105, 106, 108, 110, 111,  
D26/112, 118, 124, 93; D11/131, 157,  
D11/184, 121, 125  
CPC .. A63H 13/00; F21S 6/00; F21S 6/002; F21S  
10/00; F21V 3/00; F21V 3/0418; F21V  
15/00; F21V 21/02; F21V 31/00; F21W  
2121/00; F21W 2131/30  
See application file for complete search history.

D829,961 S \* 10/2018 Lin ..... D26/104  
D848,051 S \* 5/2019 Huang ..... D26/104  
D854,226 S \* 7/2019 Lin ..... D26/104  
D861,966 S \* 10/2019 Wang ..... D26/110

\* cited by examiner

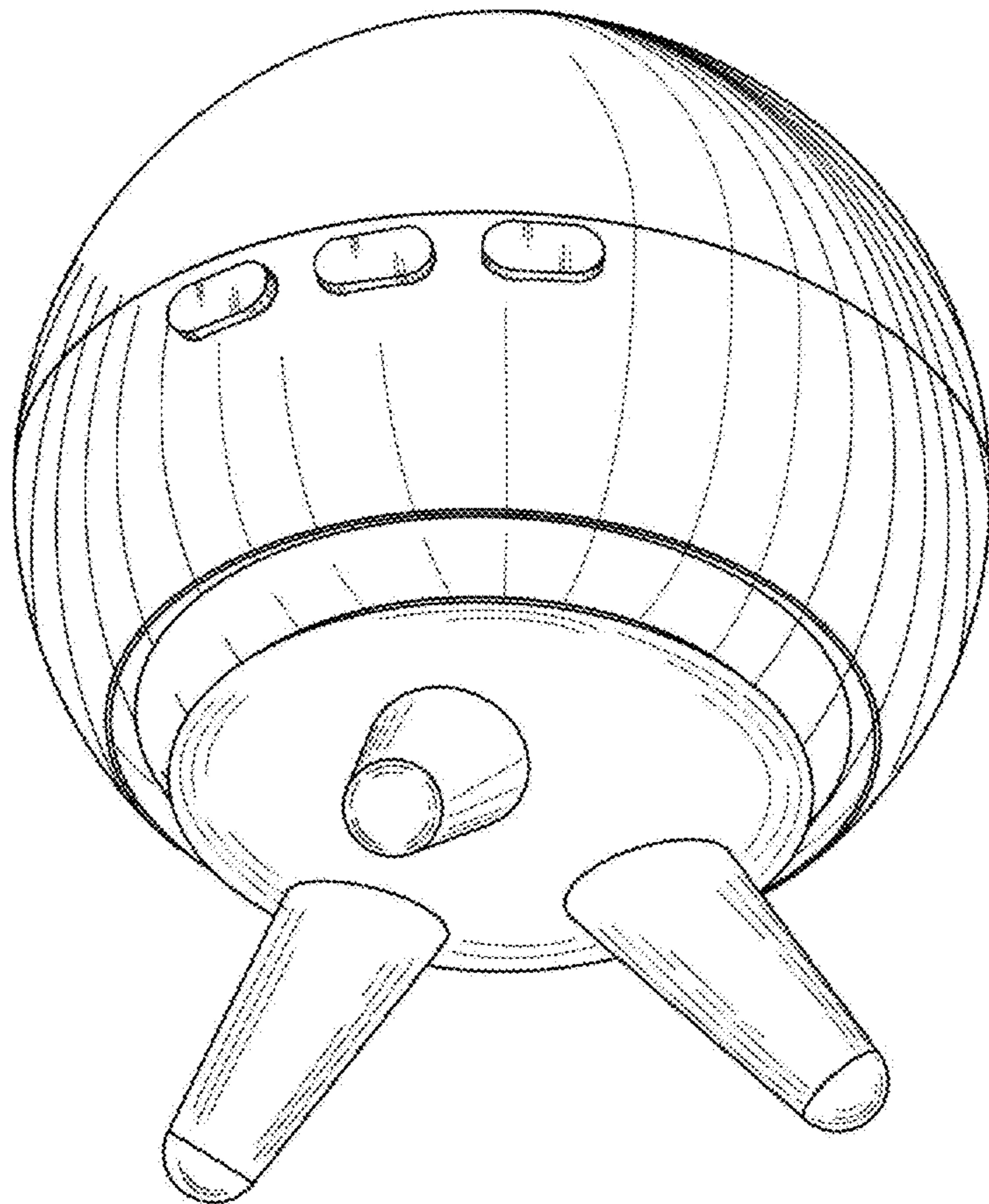
*Primary Examiner* — Brian N. Vinson  
(74) *Attorney, Agent, or Firm* — Erson IP (Nelson IP)

(56) **References Cited**  
U.S. PATENT DOCUMENTS  
D397,488 S \* 8/1998 Ball ..... D26/111  
D731,107 S \* 6/2015 Wu ..... D26/104

(57) **CLAIM**  
The ornamental design for star projection lamp, as shown and described.

**DESCRIPTION**  
FIG. 1 is a perspective view of a star projection lamp showing my new design;  
FIG. 2 is a front view thereof;  
FIG. 3 is a rear view thereof;  
FIG. 4 is a left side view thereof;  
FIG. 5 is a right side view thereof;  
FIG. 6 is a top plan view thereof; and,  
FIG. 7 is a bottom plan view thereof.

**1 Claim, 7 Drawing Sheets**



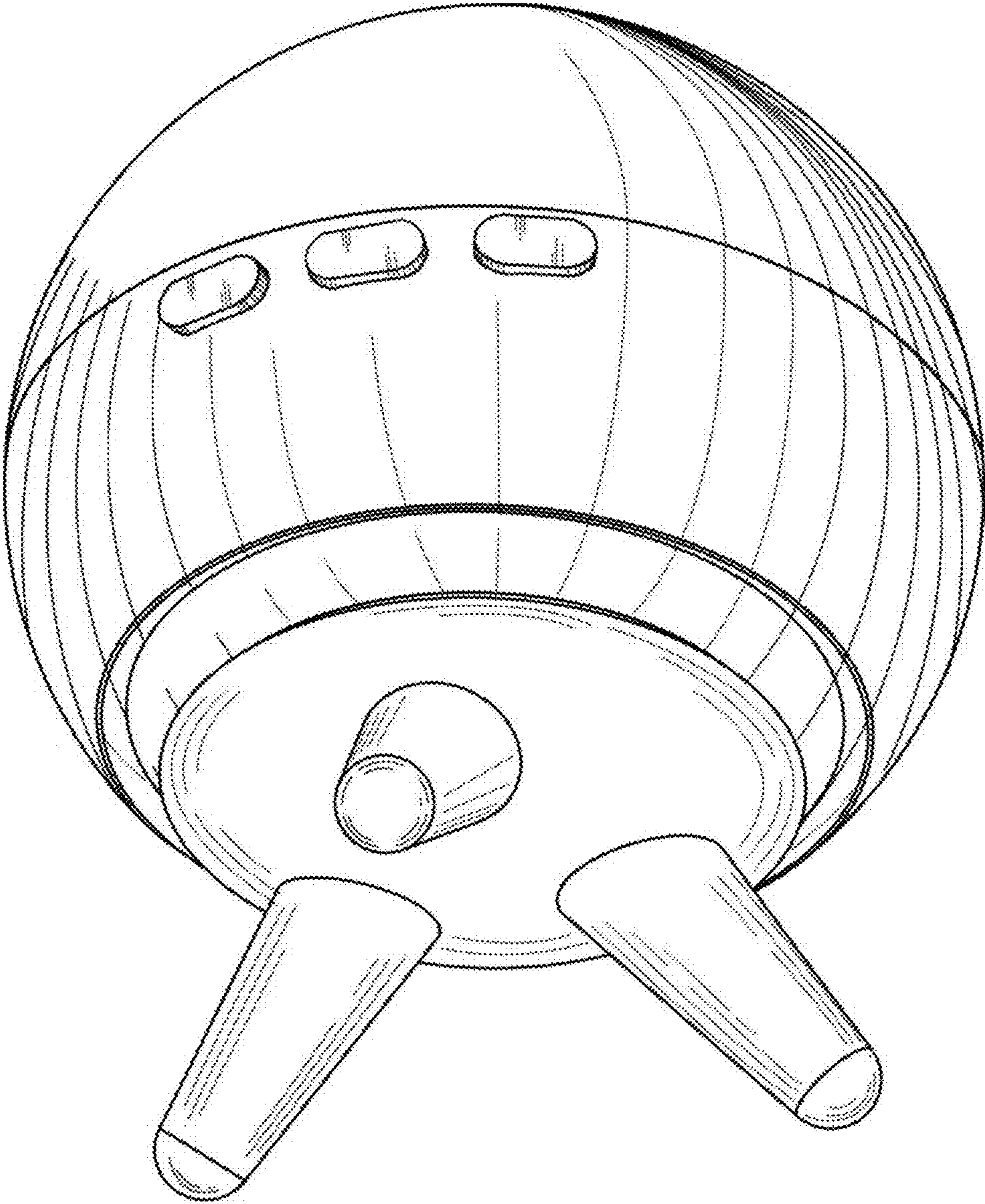


Fig. 1

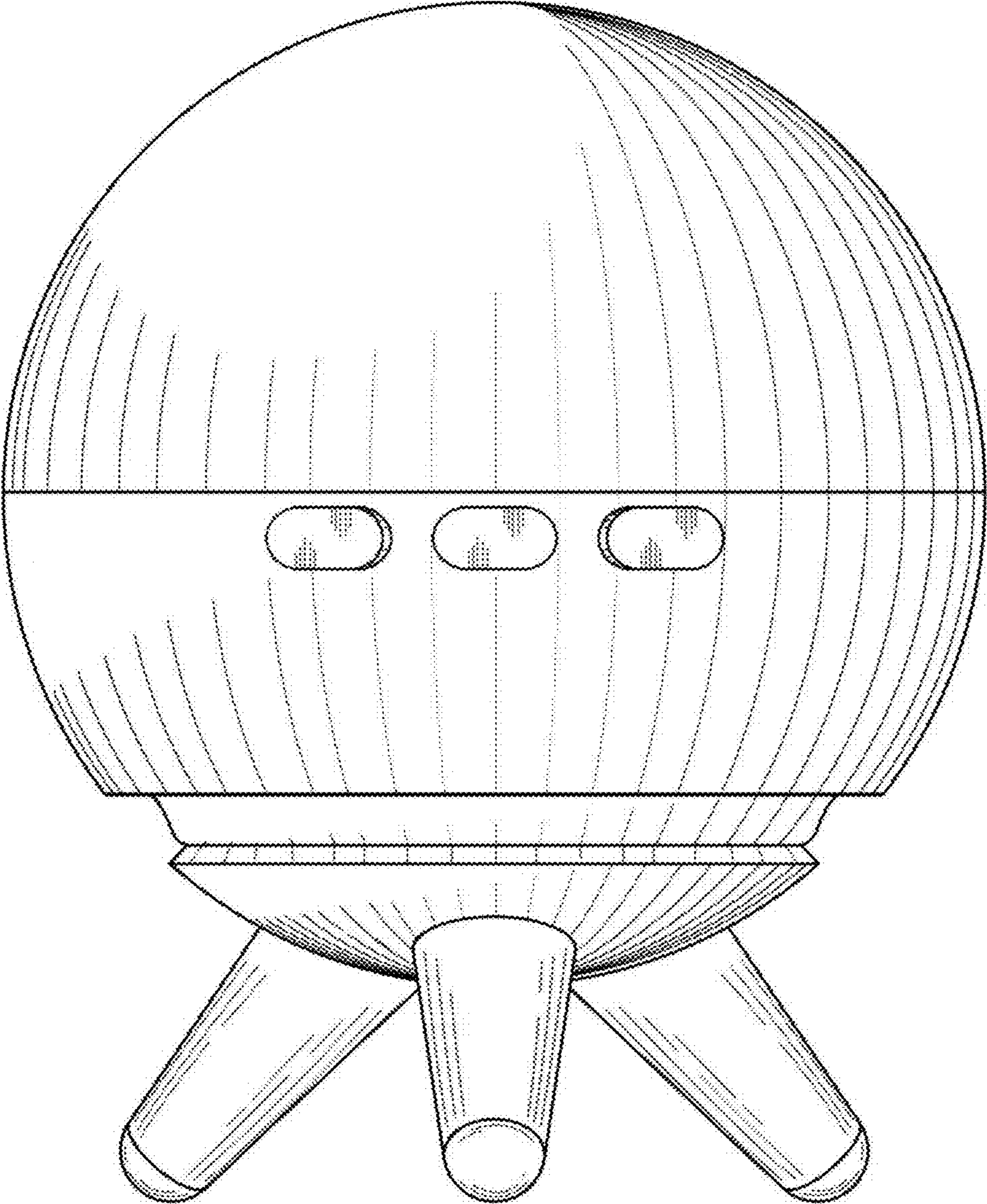


Fig. 2

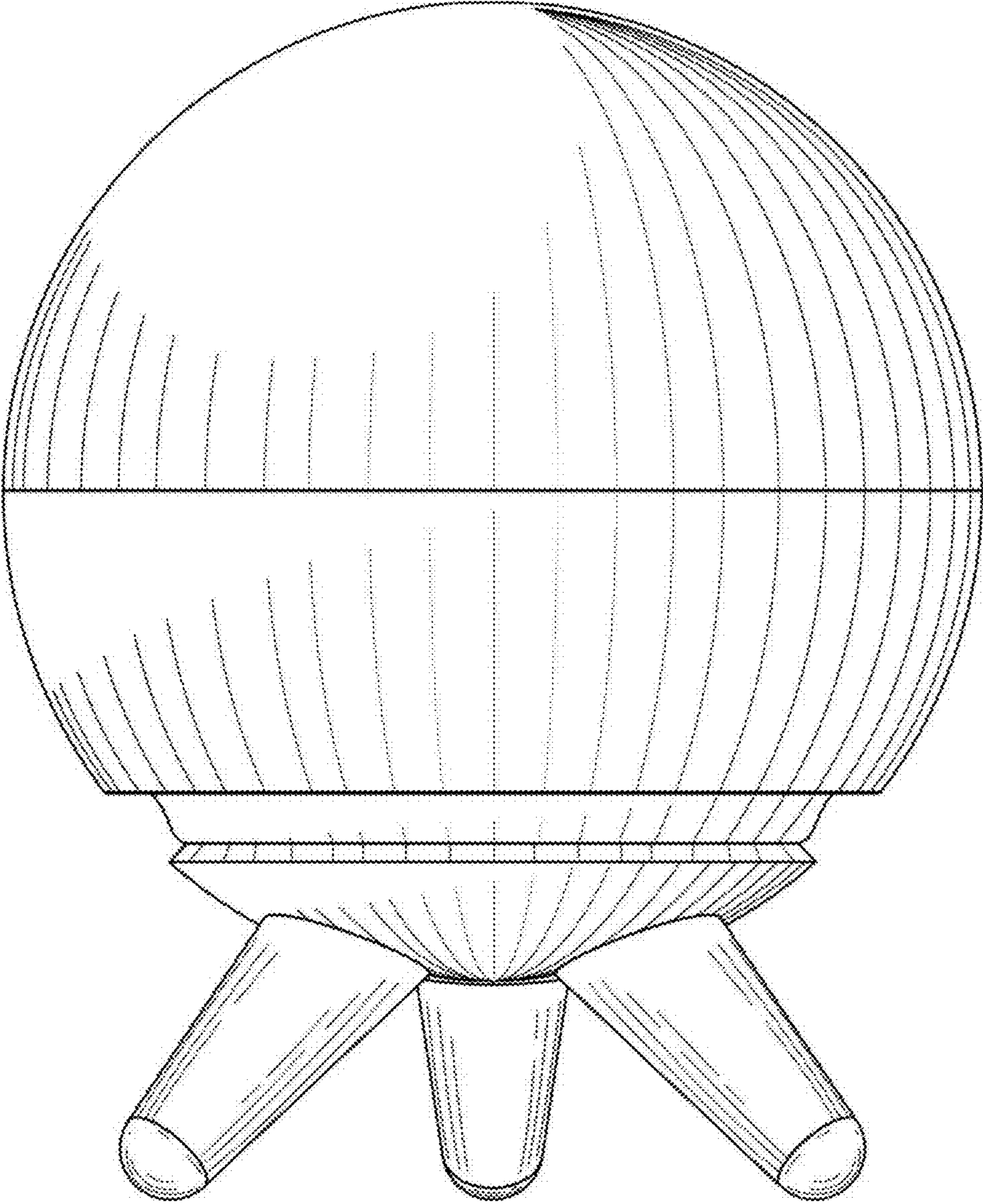


Fig. 3

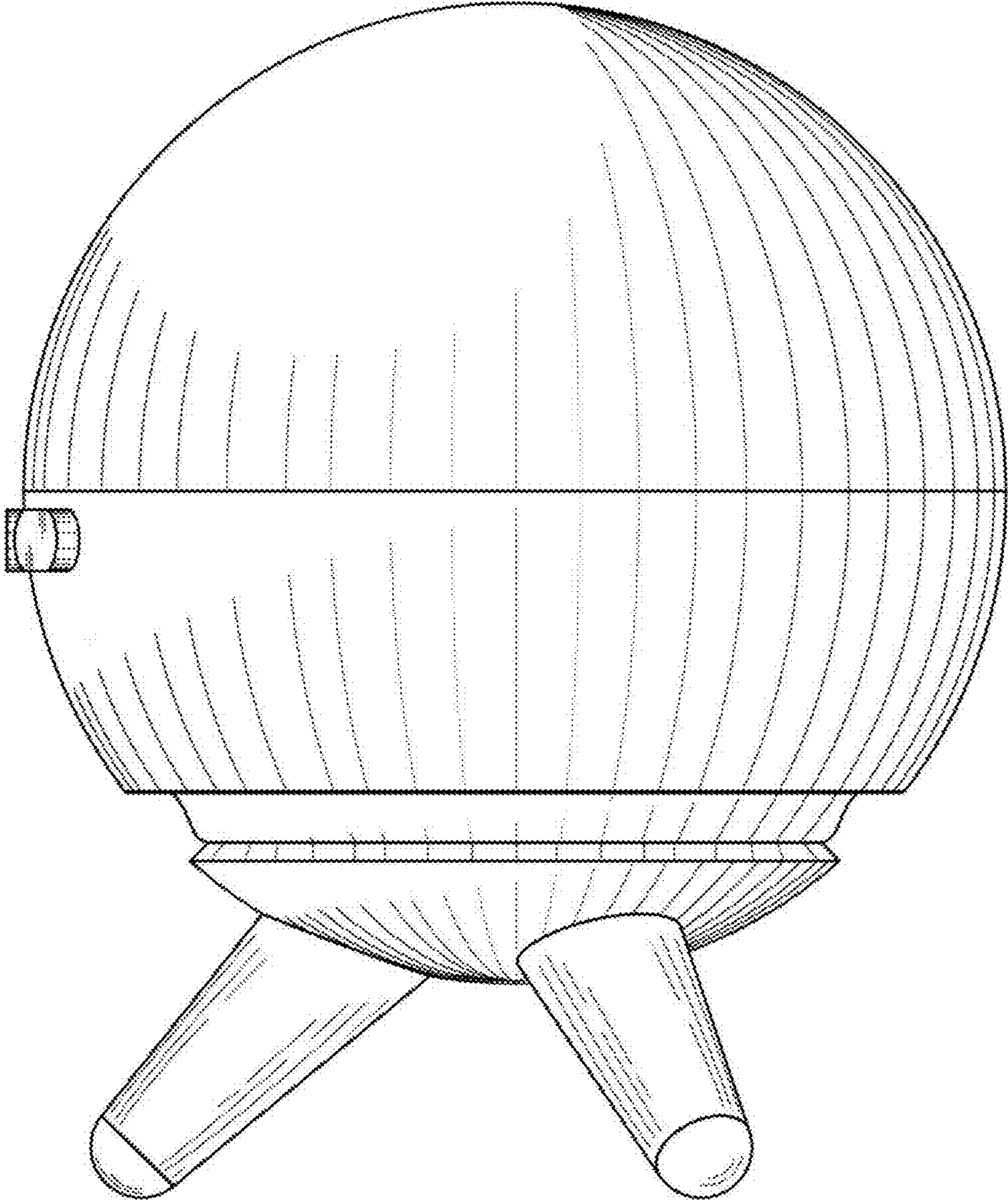


Fig. 4

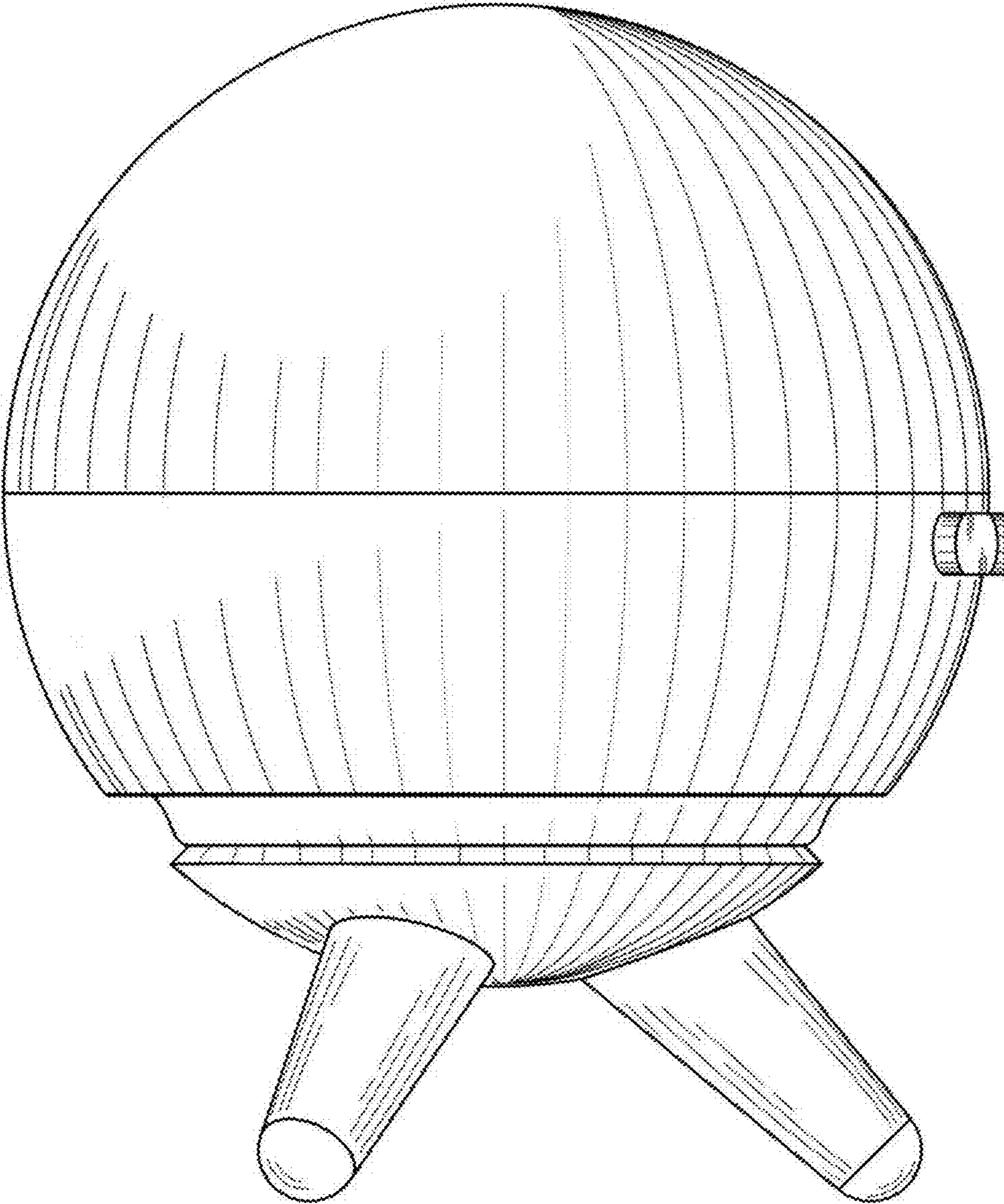


Fig. 5

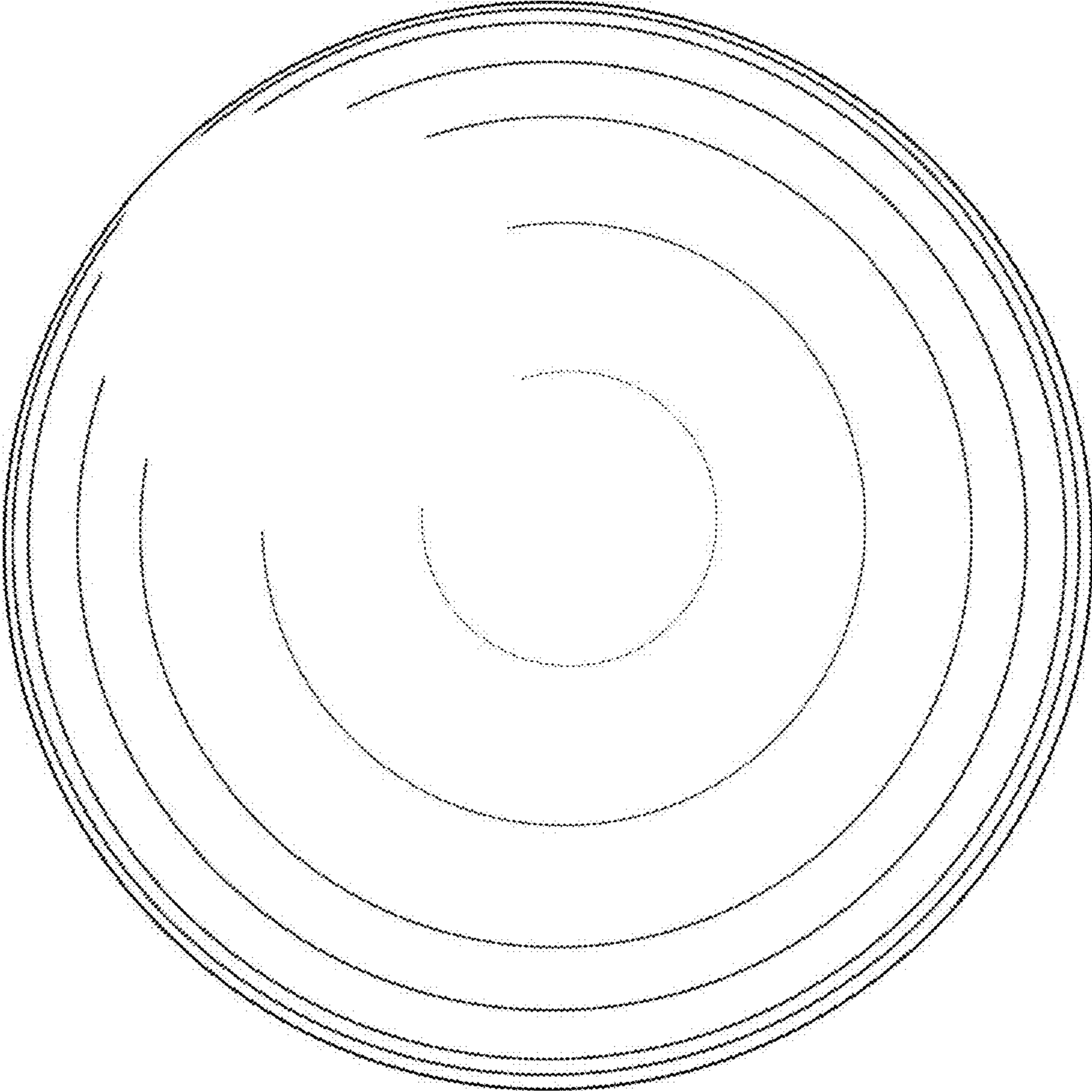


Fig. 6

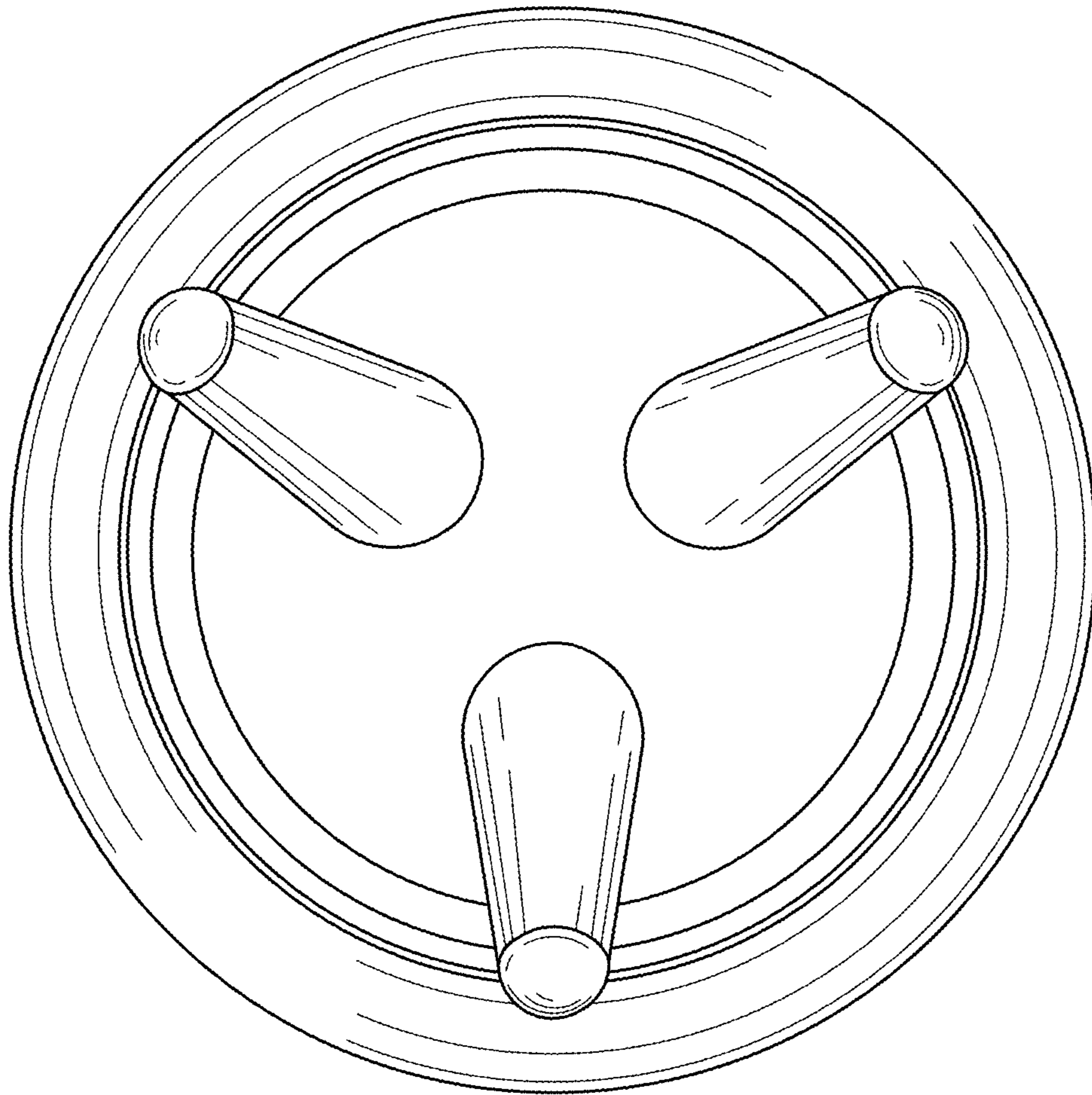


Fig.7