



US00D889727S

(12) **United States Design Patent**
De Silva

(10) **Patent No.:** **US D889,727 S**
(45) **Date of Patent:** **** Jul. 7, 2020**

(54) **CHANDELIER**

(71) Applicant: **Performance in Lighting S.p.A.**, Turin (IT)

(72) Inventor: **Valter Maria De Silva**, Monaco di Baviera (DE)

(73) Assignee: **Performance In Lighting S.p.A.**, Turin (IT)

(**) Term: **15 Years**

(21) Appl. No.: **29/681,863**

(22) Filed: **Feb. 28, 2019**

(30) **Foreign Application Priority Data**

Oct. 9, 2018 (EM) 005783057

(51) **LOC (12) Cl.** **26-03**

(52) **U.S. Cl.**
USPC **D26/90; D26/76**

(58) **Field of Classification Search**
USPC D26/76, 80-86, 88, 90, 91
CPC F21S 8/04; F21S 8/043; F21S 8/046; F21S 8/06; F21S 8/061; F21S 8/063; F21S 8/065

See application file for complete search history.

(56) **References Cited**

U.S. PATENT DOCUMENTS

D121,590 S *	7/1940	Heath	D26/76
D122,236 S *	8/1940	Scribner	D26/76
D126,400 S *	4/1941	Livers	D26/76
D139,670 S *	12/1944	Lippincott	D26/76
D428,508 S *	7/2000	Irvine	D26/76
6,296,372 B1 *	10/2001	Rhomberg	F21S 8/06 362/217.07
D487,598 S *	3/2004	Schuetz	D26/76
D491,687 S *	6/2004	Thornton, Jr.	D26/76
D496,746 S *	9/2004	Herst	D26/118

D547,482 S *	7/2007	Blackman	D26/75
D584,848 S *	1/2009	Menke	D26/76
D602,626 S *	10/2009	Santoro	D26/76
D669,625 S *	10/2012	Herremans	D26/90

OTHER PUBLICATIONS

Nyra LED Linear Suspension by Tech Lighting found at ylighting.com, visited May 26, 2020. (Year: 2020).*

Kelly Wearstler Utopia 60 Inch 3 Light Linear Suspension Light by Visual Comfort and Co. Capitol ID: 2147739 MFR SKU: KW 5550G-FA, found at 1800lighting.com visited May 26, 2020 (Year: 2020).*

Wave Bar LED Pendant by Sonneman Lighting, found at lumens.com visited May 26, 2020. (Year: 2020).*

* cited by examiner

Primary Examiner — Clare E Heflin

(74) *Attorney, Agent, or Firm* — Richard M. Goldberg

(57) **CLAIM**

The ornamental design for a chandelier, as shown and described.

DESCRIPTION

FIG. 1 is a bottom, front perspective view of the chandelier according to the present invention;

FIG. 2 is a front elevational view thereof;

FIG. 3 is a right side elevational view thereof;

FIG. 4 is a left side elevational view thereof;

FIG. 5 is a top, rear perspective view thereof;

FIG. 6 is a top, front perspective view thereof;

FIG. 7 is a top, rear perspective view thereof from a different angle;

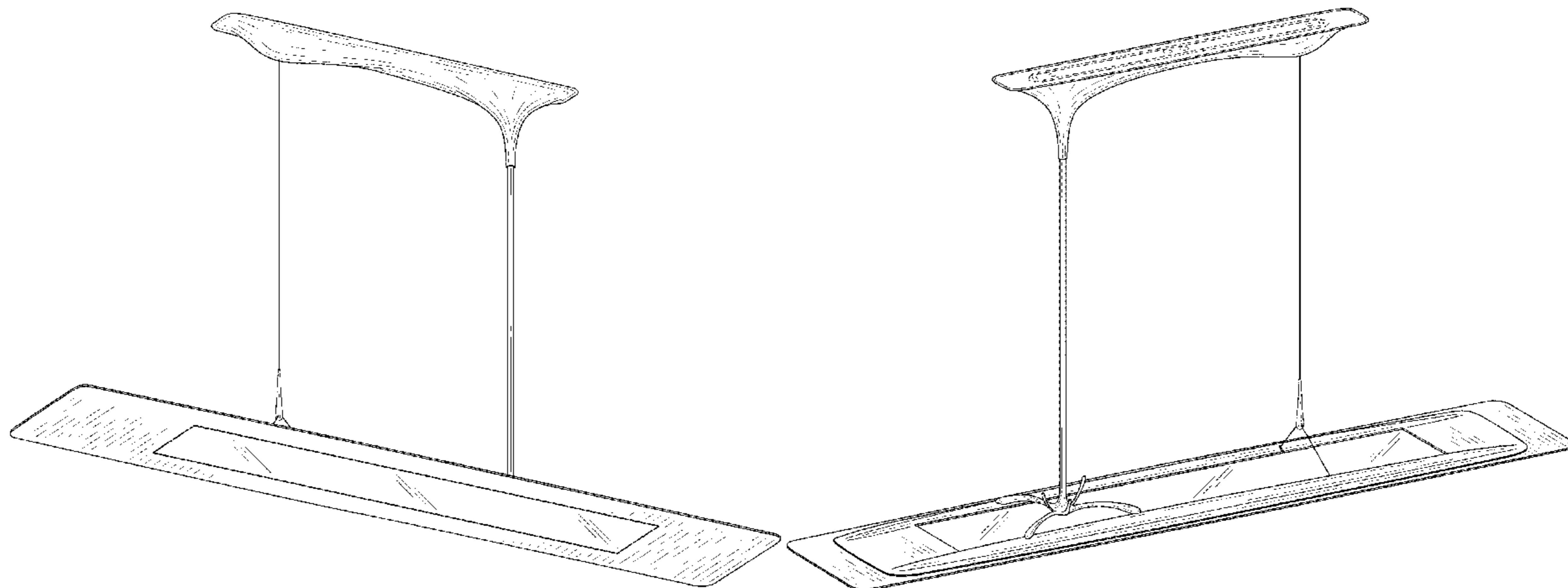
FIG. 8 is a rear elevational view thereof;

FIG. 9 is a top plan view thereof; and,

FIG. 10 is a bottom plan view thereof.

The areas shown in dashed lines do not form part of the claimed invention.

1 Claim, 10 Drawing Sheets



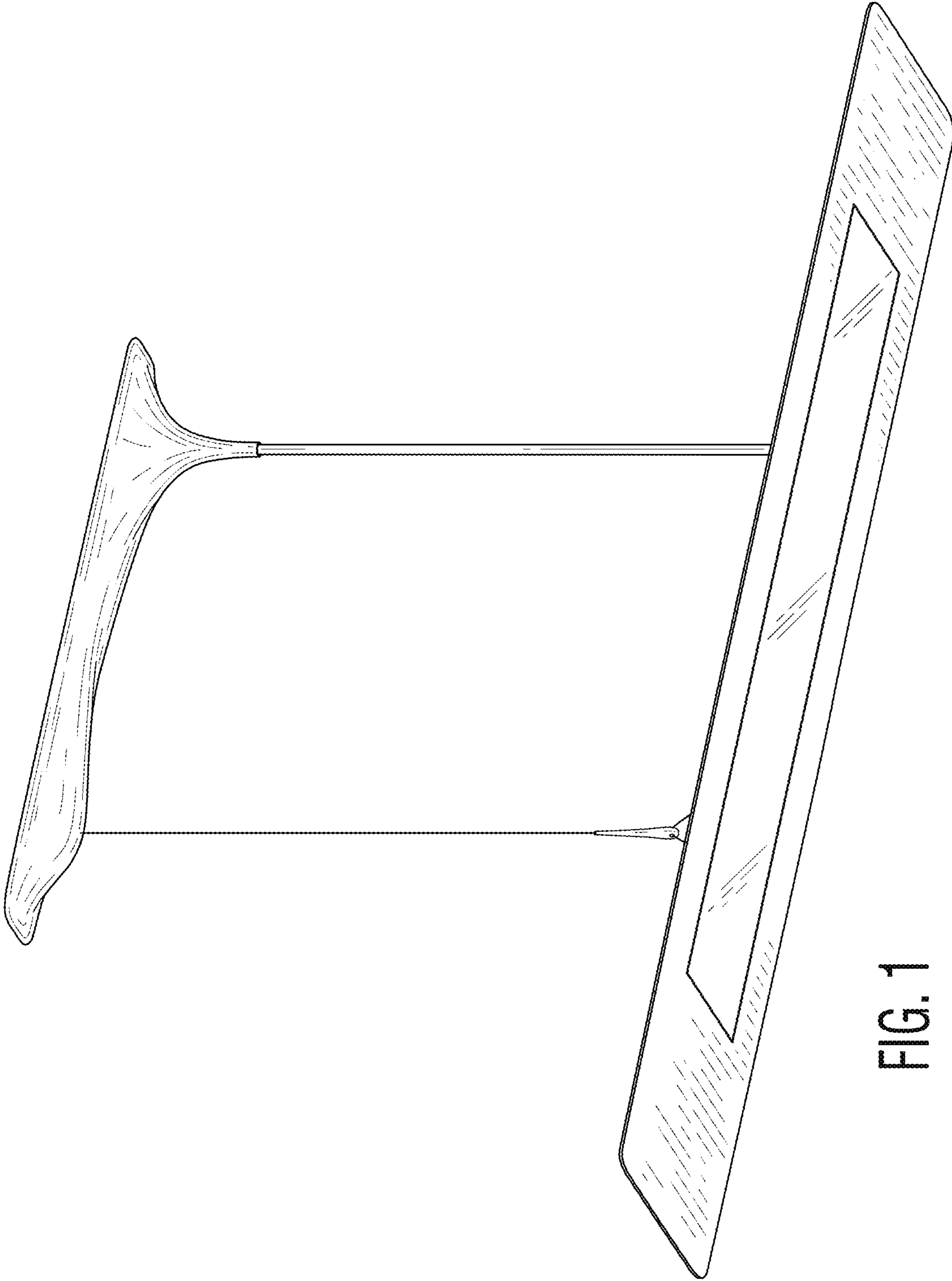


FIG. 1

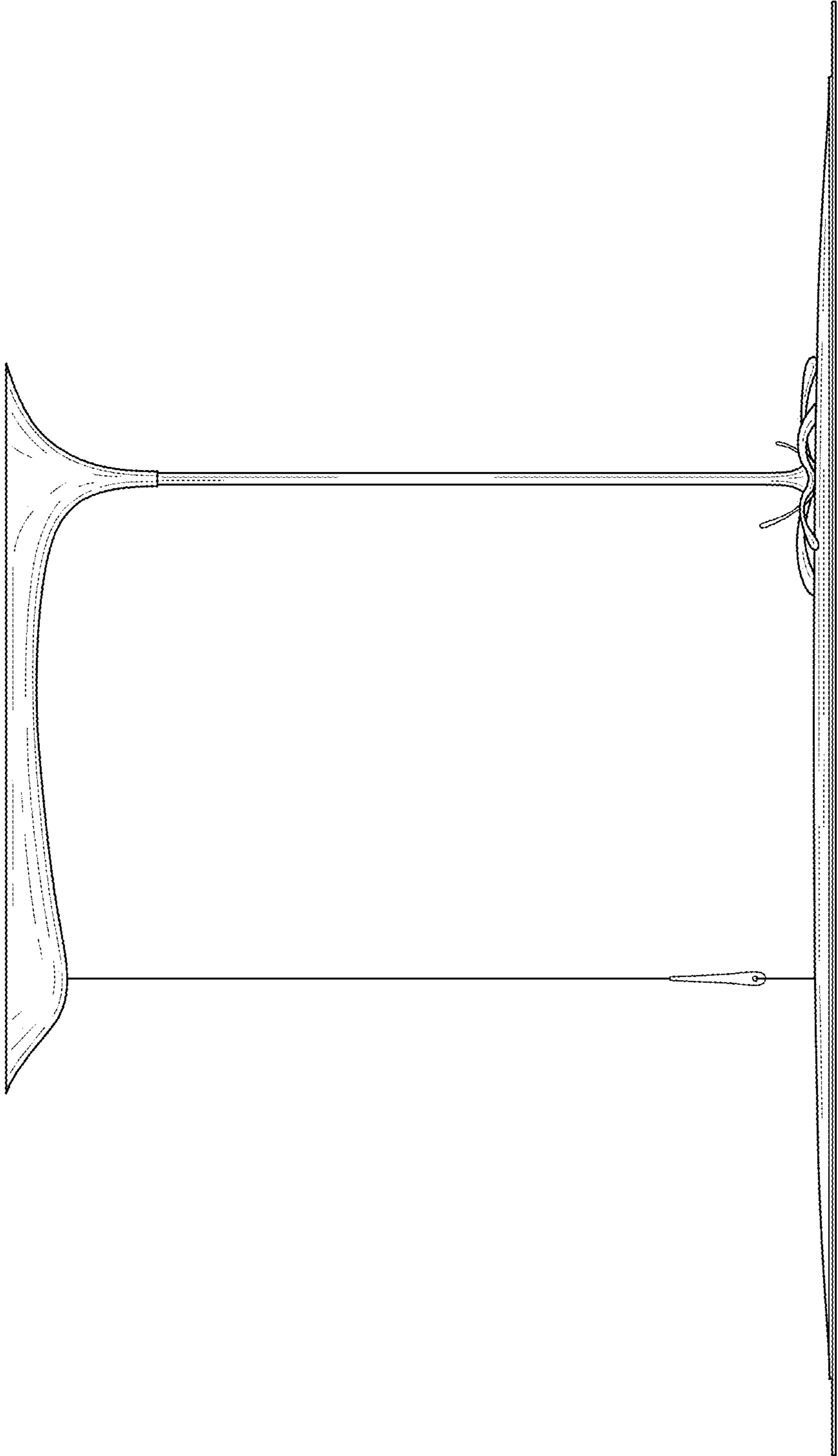


FIG. 2

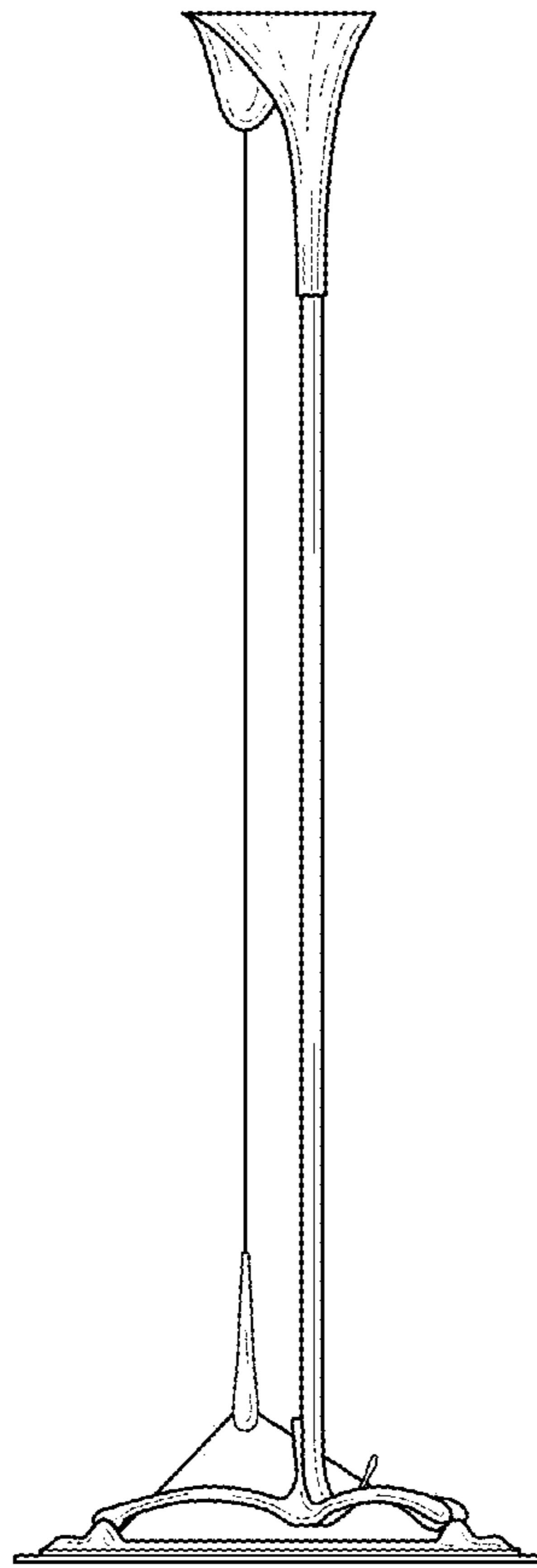


FIG. 3

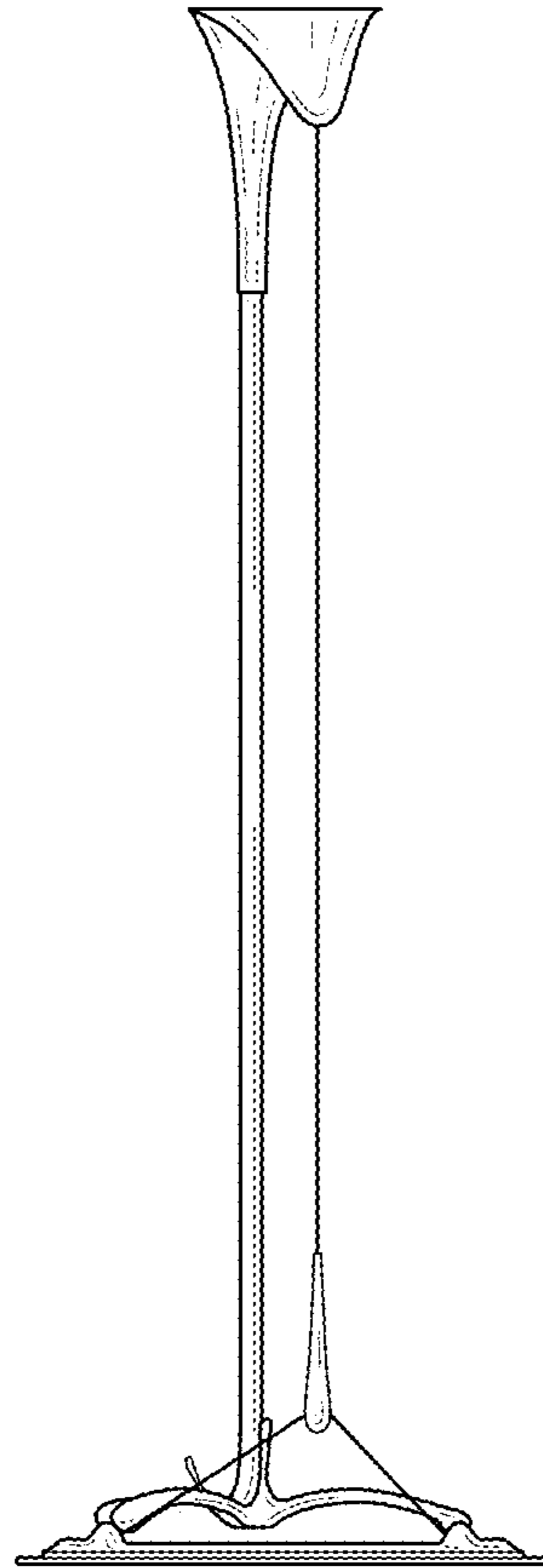


FIG. 4

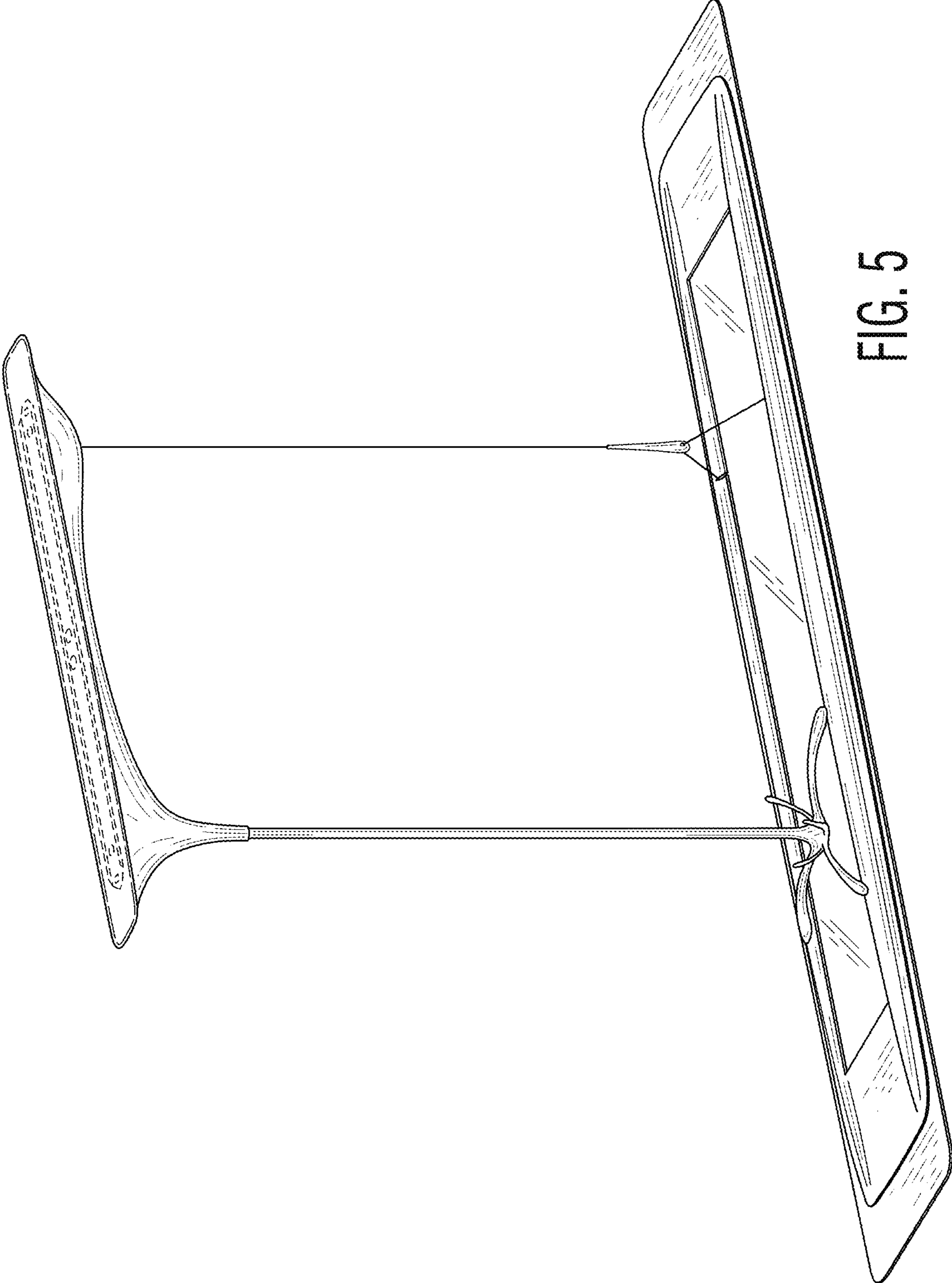


FIG. 5

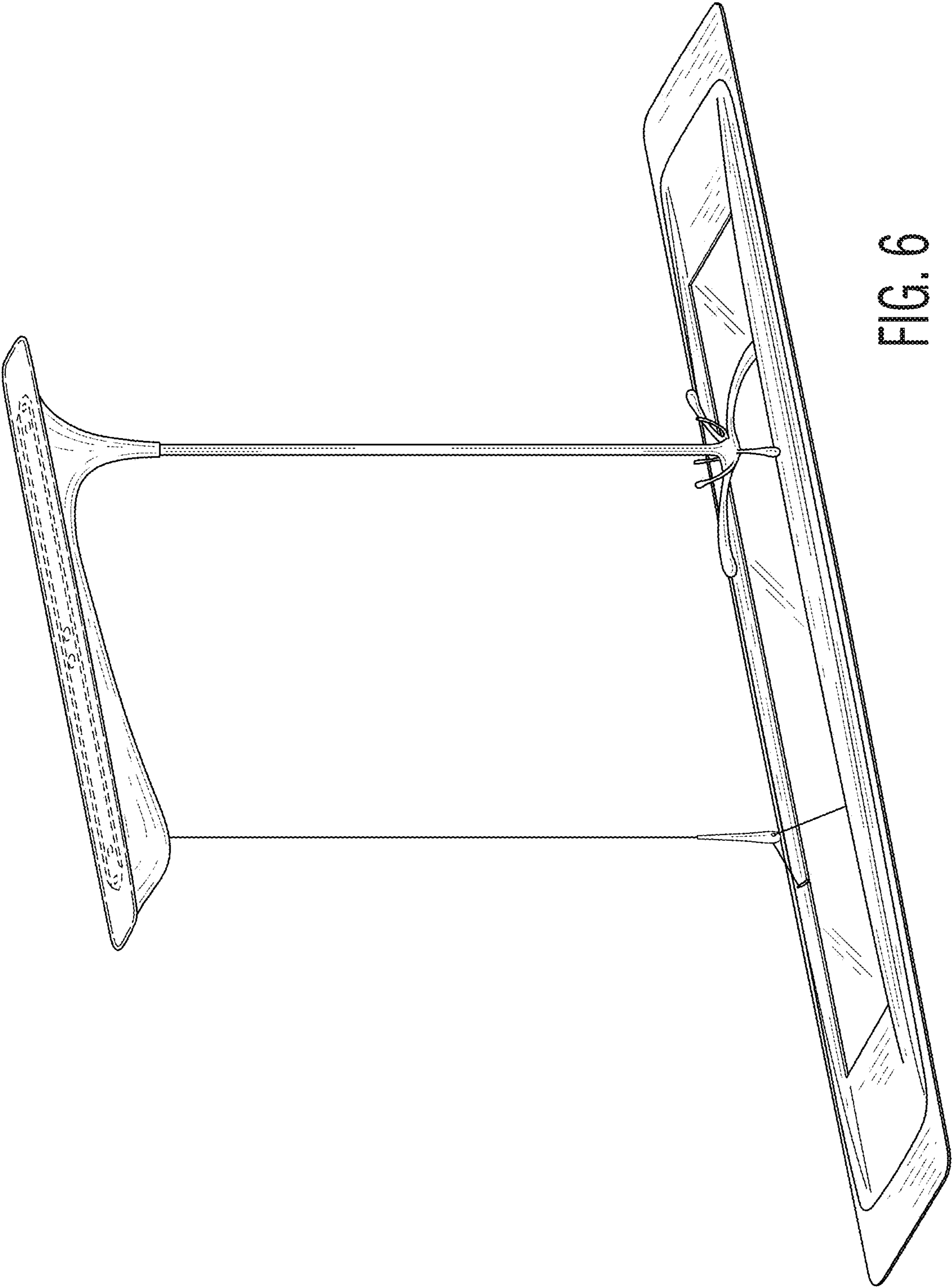


FIG. 6

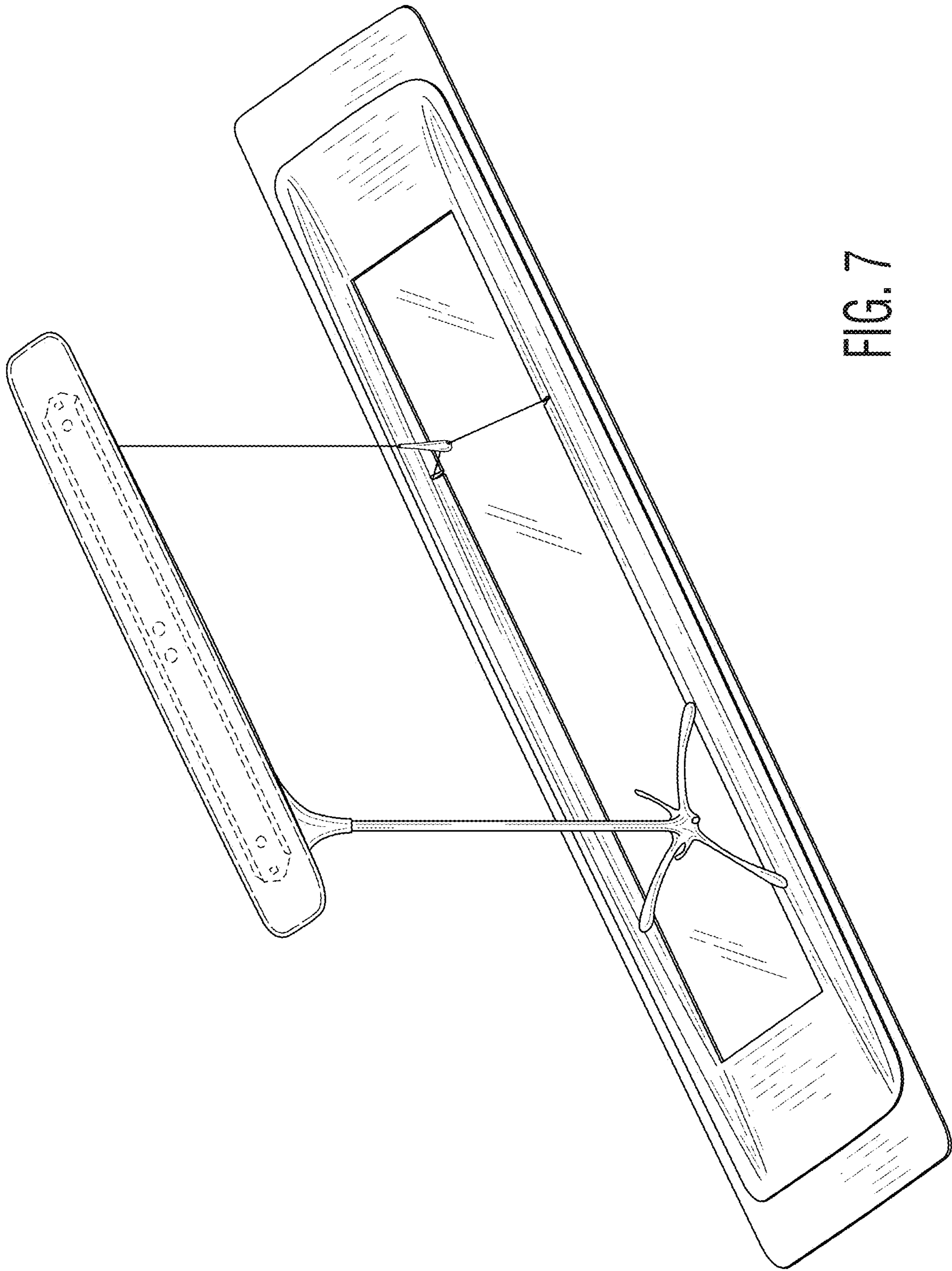


FIG. 7

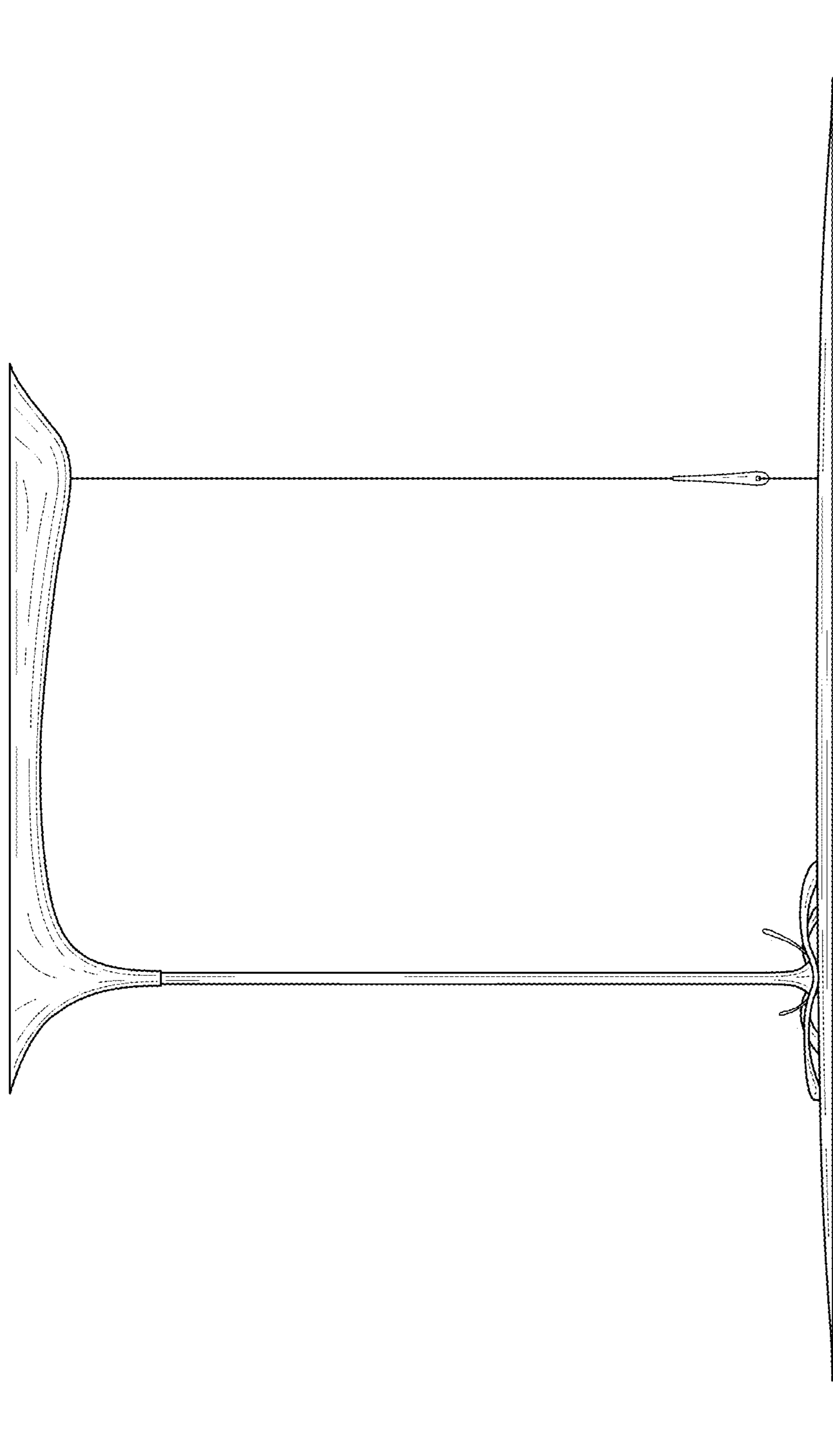


FIG. 8

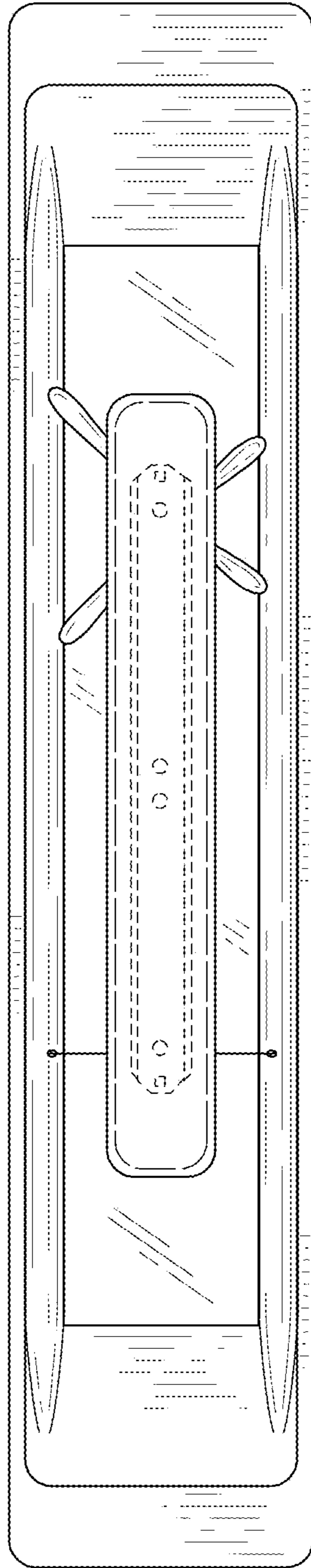


FIG. 9

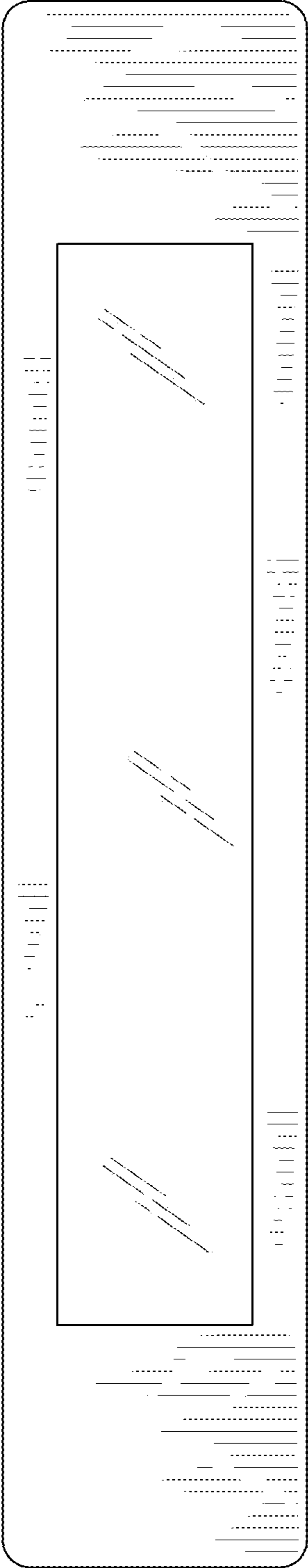


FIG. 10