



US00D889726S

(12) **United States Design Patent** (10) **Patent No.:** **US D889,726 S**
Gismondi (45) **Date of Patent:** **** Jul. 7, 2020**

(54) **LAMP**
(71) Applicant: **ARTEMIDE S.p.A.**, Milan (IT)
(72) Inventor: **Ernesto Gismondi**, Milan (IT)
(73) Assignee: **ARTEMIDE S.P.A.** (IT)
(**) Term: **15 Years**
(21) Appl. No.: **29/664,259**
(22) Filed: **Sep. 24, 2018**

D681,252 S 4/2013 Graham
D681,256 S 4/2013 Chilton et al.
D681,257 S 4/2013 Van Strander
D688,407 S 8/2013 Renning
D703,365 S 4/2014 Martin
D723,207 S 2/2015 Wegrzyn
D773,099 S * 11/2016 Sonneman D26/84
D797,982 S * 9/2017 Sonneman D26/88
D805,676 S 12/2017 Piano
D848,050 S * 5/2019 Hinze D26/88
2012/0257388 A1* 10/2012 Bracher F21S 8/061
362/249.01
2015/0277030 A1* 10/2015 Huang F21V 3/04
362/611

(Continued)

Related U.S. Application Data

(62) Division of application No. 29/580,837, filed on Oct. 13, 2016, now Pat. No. Des. 833,054.

Foreign Application Priority Data

Apr. 13, 2016 (EM) 003066844

(51) **LOC (12) Cl.** **26-03**

(52) **U.S. Cl.**
USPC **D26/88; D26/90**

(58) **Field of Classification Search**
USPC D26/72, 81-86, 88-91
CPC F21S 8/04; F21S 8/043; F21S 8/046; F21S
8/06; F21S 8/061; F21S 8/063; F21S
8/065

See application file for complete search history.

(56) **References Cited**

U.S. PATENT DOCUMENTS

D45,539 S * 3/1914 Meyers D26/90
D465,872 S * 11/2002 Cacaci D26/90
D541,970 S * 5/2007 Blackman D26/81
D596,784 S * 7/2009 Silver D26/88
7,997,768 B2 8/2011 Zheng
D659,885 S 5/2012 Holder
D659,887 S 5/2012 Holder

OTHER PUBLICATIONS

George Kovacs P8141-609-L Discovery LED Pendant sold at amazon.com Mar. 9, 2018. (Year: 2018).*

(Continued)

Primary Examiner — Clare E Heffin

(74) *Attorney, Agent, or Firm* — The Belles Group, P.C.

(57) **CLAIM**

The ornamental design for a lamp, as shown and described.

DESCRIPTION

FIG. 1 is a perspective view of a lamp in accordance with the present invention;

FIG. 2 is a right-side view thereof;

FIG. 3 is a front view thereof;

FIG. 4 is a left-side view thereof;

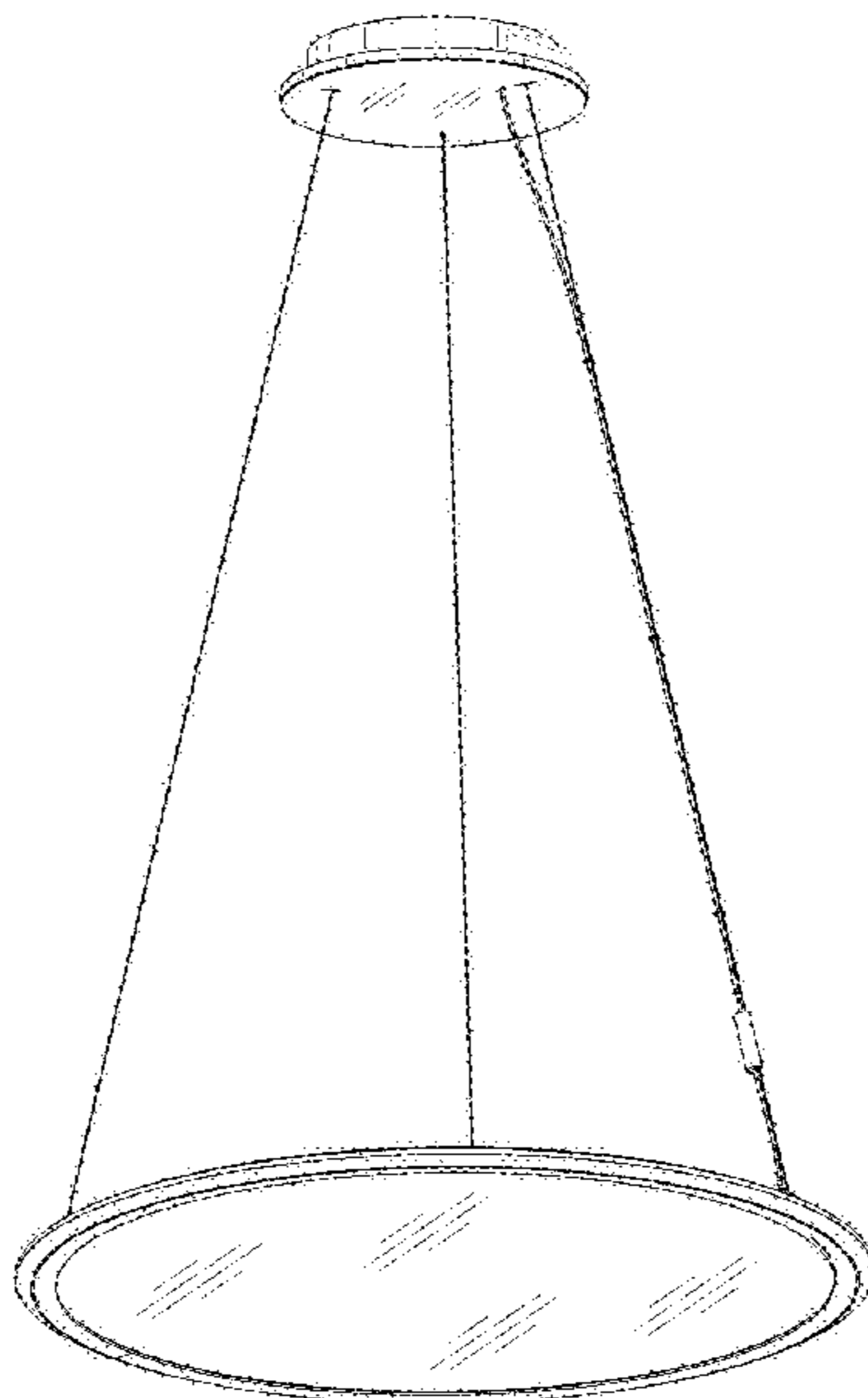
FIG. 5 is a rear view thereof;

FIG. 6 is a bottom view thereof; and,

FIG. 7 is a top view thereof.

The broken lines show portions of the lamp that form no part of the claimed design.

1 Claim, 7 Drawing Sheets



(56)

References Cited

U.S. PATENT DOCUMENTS

2018/0112856 A1* 4/2018 Yaphe F21V 17/12
2018/0274769 A1* 9/2018 Vavruskova F21S 8/061

OTHER PUBLICATIONS

Contemporary Disc LED Pendant Light Metal Shade Single Drop
Light in White 12"/16"/19.5" Wide / Code:# HL491394. From
beautifulhalo.com visited Nov. 25, 2019. (Year: 2019).*

Cylindrical LED Pendant Light with Glass Panels Post Modern 1
Light Hanging Pendant in Gold Code:#HL491408. From beautifulhalo.
com visited Nov. 25, 2019. (Year: 2019).*

* cited by examiner

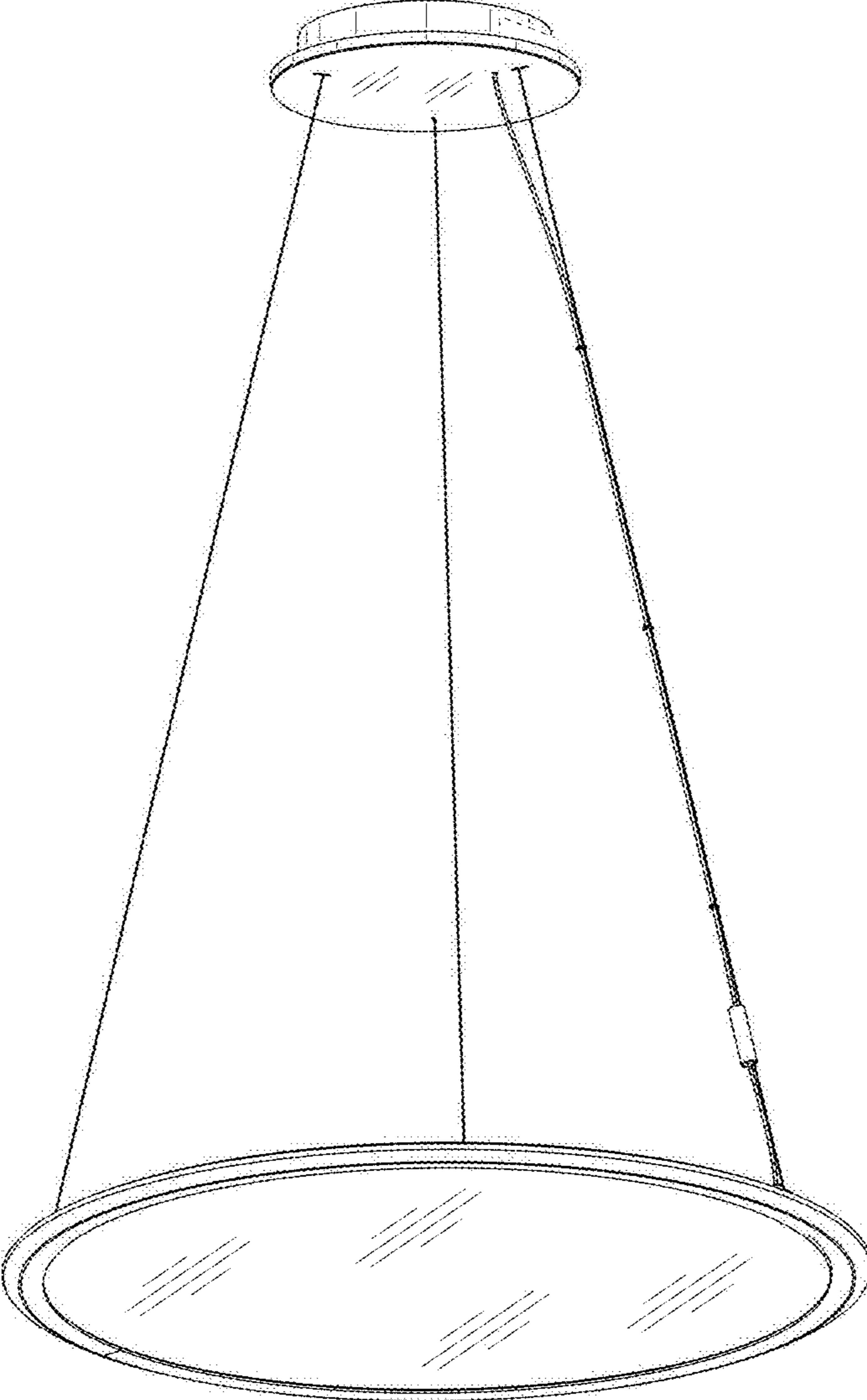


FIG. 1

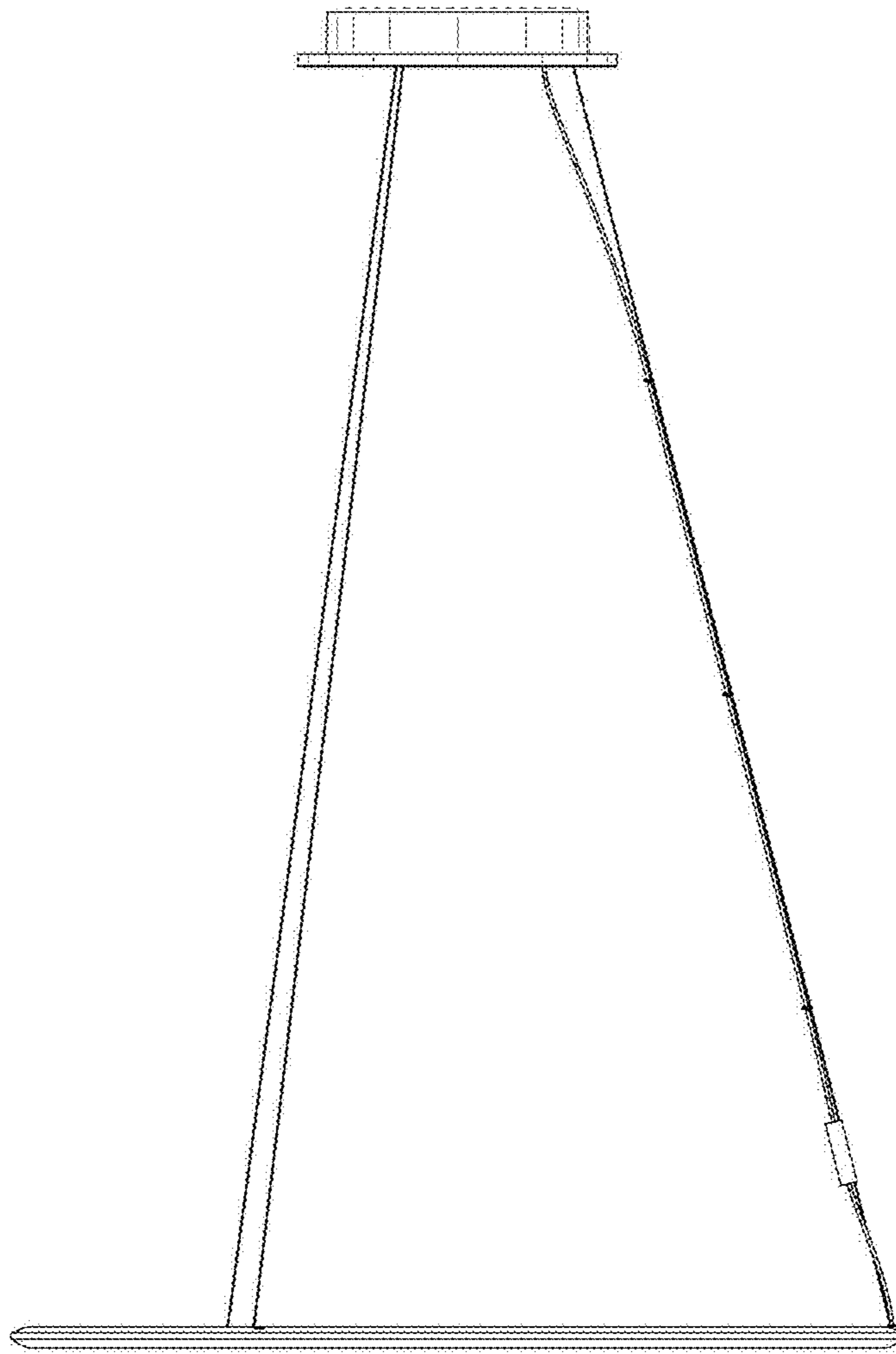


FIG. 2

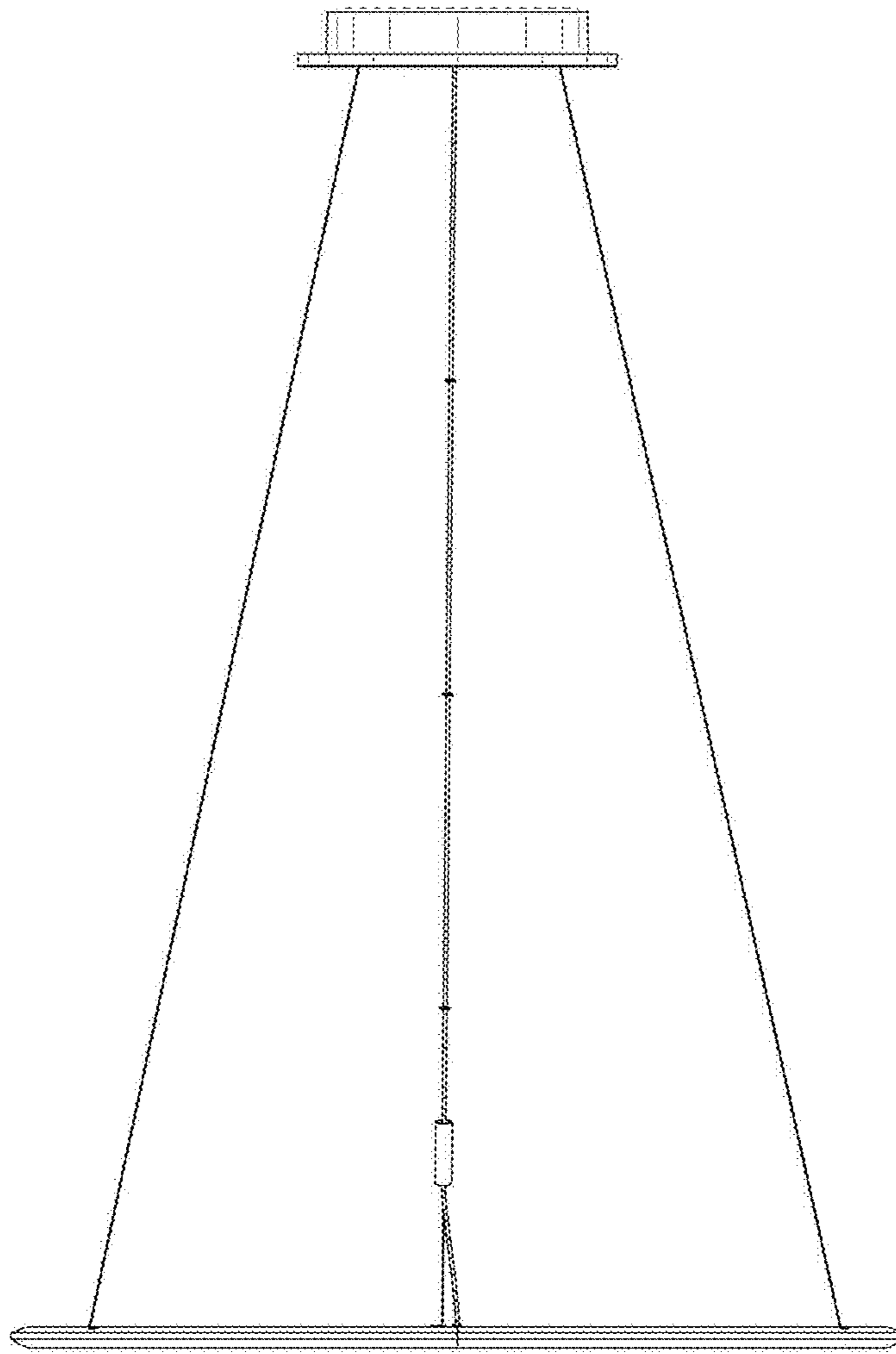


FIG. 3

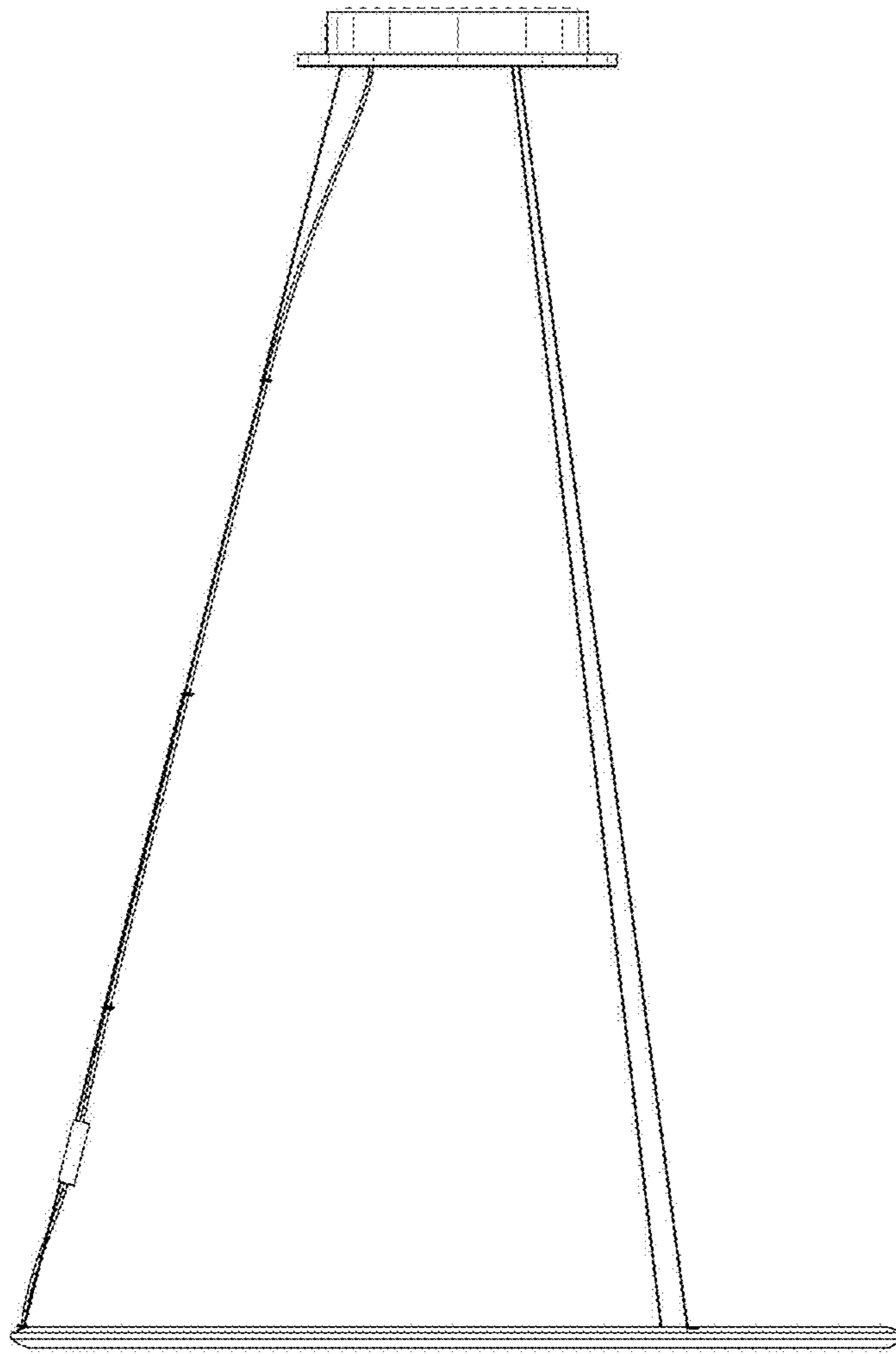


FIG. 4

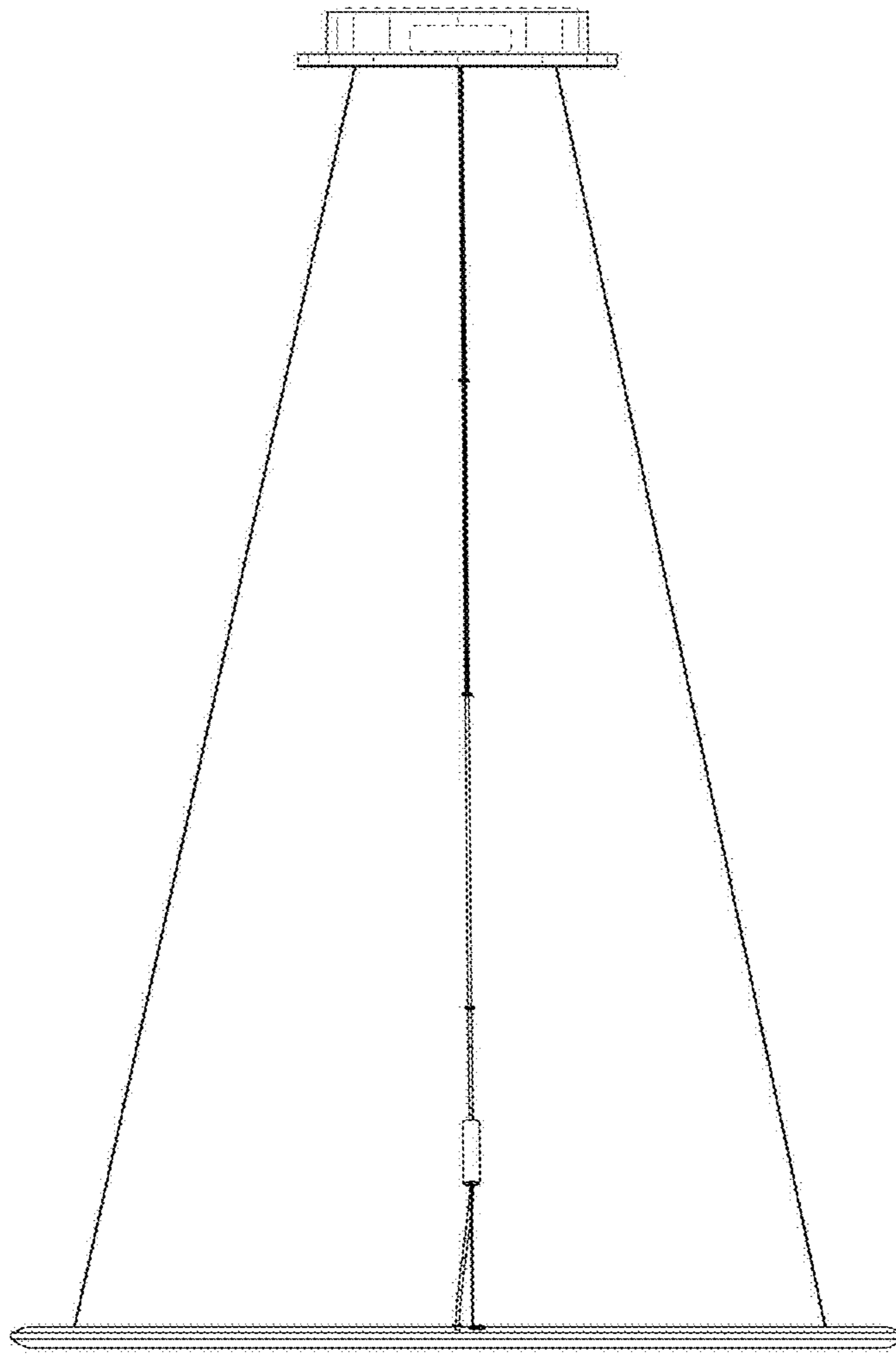


FIG. 5

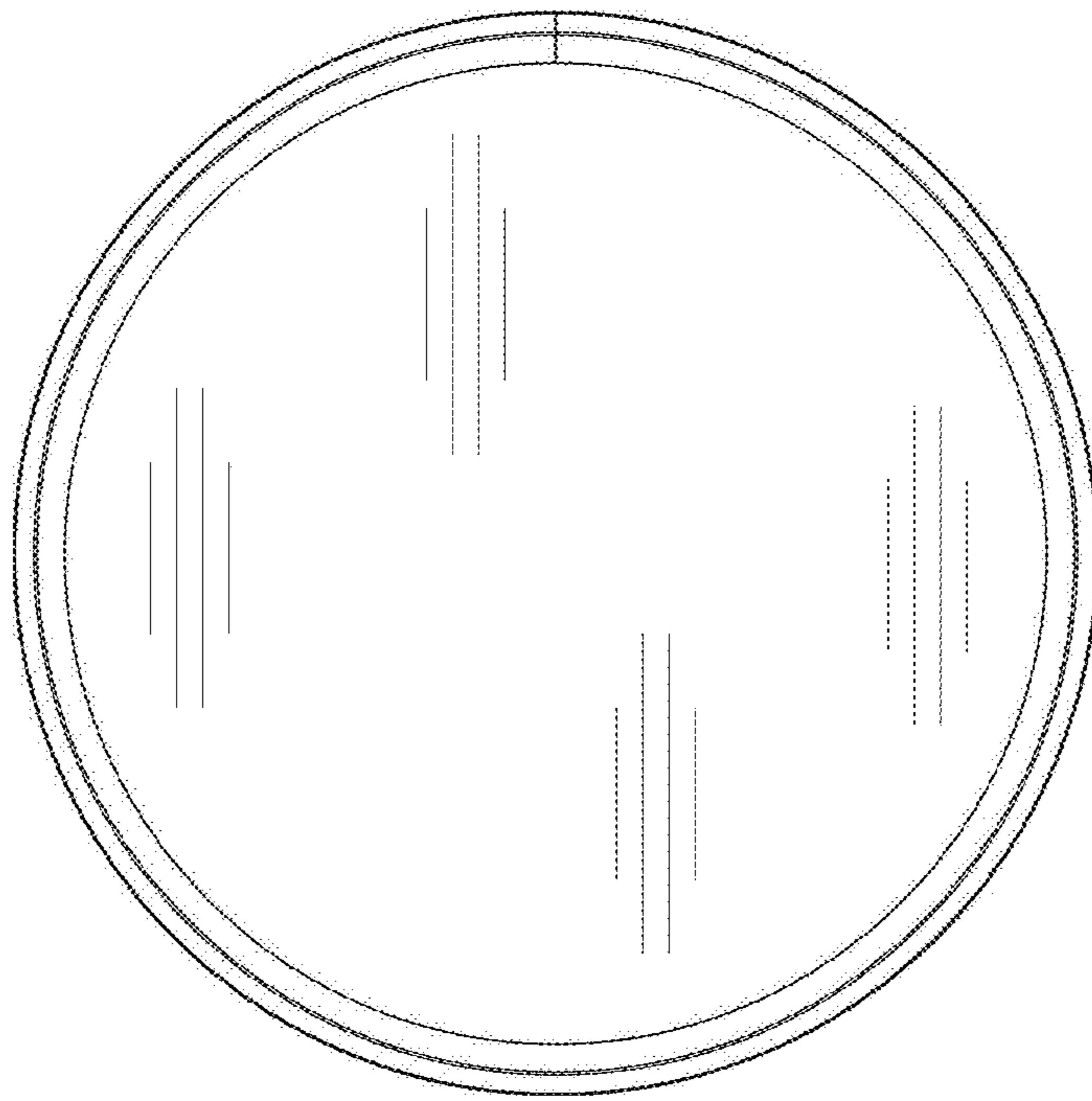


FIG. 6

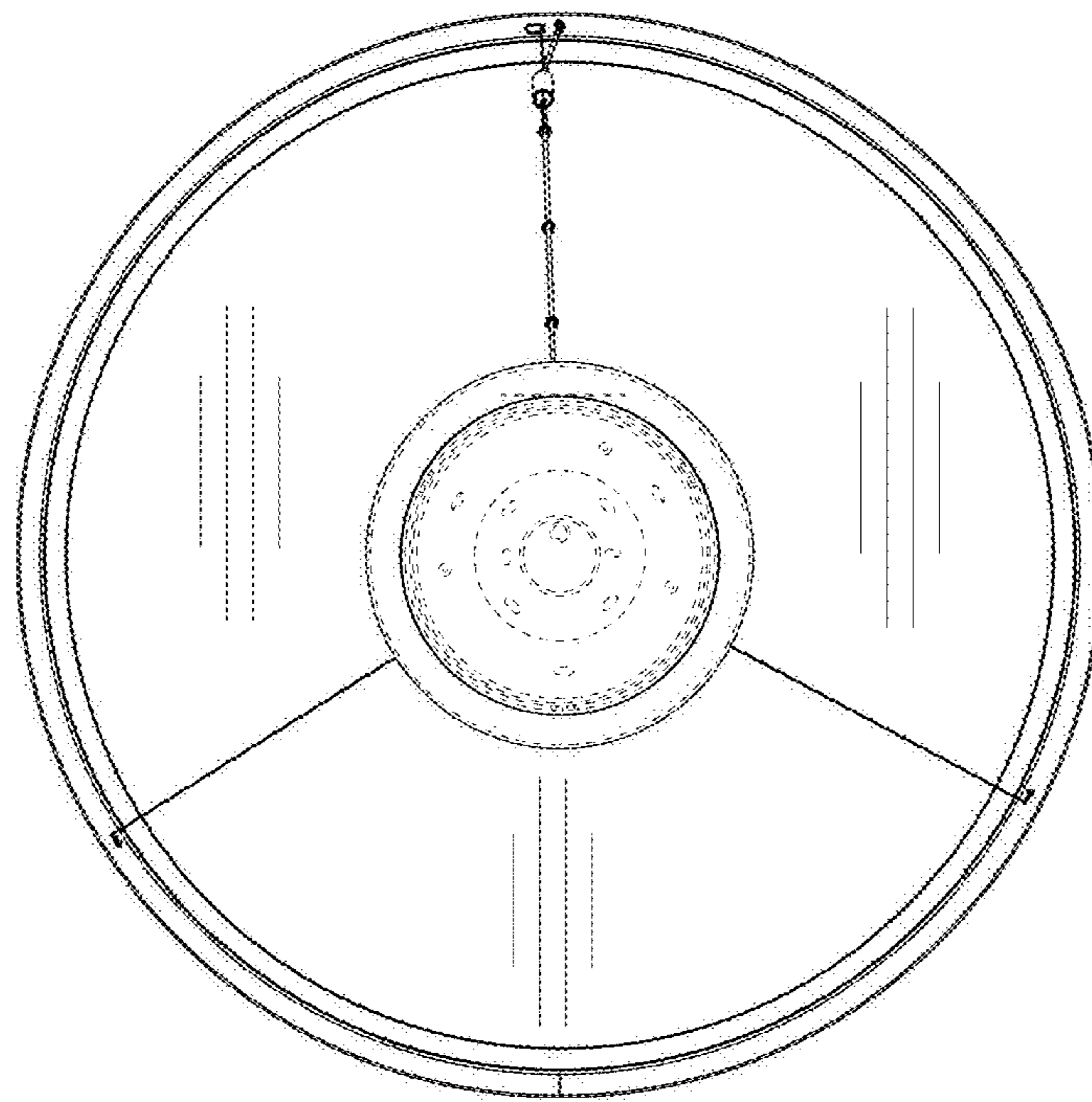


FIG. 7