



US00D889724S

(12) **United States Design Patent**
Richardson et al.

(10) **Patent No.:** **US D889,724 S**

(45) **Date of Patent:** **** Jul. 7, 2020**

(54) **LIGHT**

(71) Applicant: **RBW STUDIO, LLC**, Brooklyn, NY
(US)

(72) Inventors: **Theodore Richardson**, Brooklyn, NY
(US); **Charles Brill**, Brooklyn, NY
(US); **Alexander Williams**, Brooklyn,
NY (US); **Gray Davis**, New York, NY
(US); **William Meyer**, New York, NY
(US)

(73) Assignee: **RBW Studio, LLC**, Brooklyn, NY
(US)

(**) Term: **15 Years**

(21) Appl. No.: **29/603,819**

(22) Filed: **May 12, 2017**

(51) **LOC (12) Cl.** **26-03**

(52) **U.S. Cl.**
USPC **D26/81**

(58) **Field of Classification Search**
USPC D26/72, 80, 81, 82, 83, 84, 85, 86, 88,
D26/91

CPC F21S 8/03; F21S 8/04; F21S 8/043; F21S
8/046; F21S 8/06; F21S 8/061; F21S
8/063; F21S 8/065

See application file for complete search history.

(56) **References Cited**

U.S. PATENT DOCUMENTS

D252,532 S *	7/1979	Glassman	D26/80
4,161,021 A *	7/1979	George, Jr.	H01K 7/06 362/235
D252,594 S *	8/1979	Glassman	D26/80
D420,161 S *	2/2000	Zuege	D26/84
D607,136 S *	12/2009	Chen	D26/81
D620,176 S *	7/2010	Sabernig	D26/143

D685,123 S *	6/2013	Dolan	D26/81
D719,698 S *	12/2014	Mollaghaffari	D26/81
D780,979 S *	3/2017	Urquiola	D26/88
D793,605 S *	8/2017	Cartwright	D26/81
D806,304 S *	12/2017	Amato	D26/81
D806,305 S *	12/2017	Amato	D26/81
D812,800 S *	3/2018	Martin	D26/81
D819,866 S *	6/2018	Amato	D26/81
D828,607 S *	9/2018	Sonneman	D26/81
D828,945 S *	9/2018	Crocker	D26/81
D857,965 S *	8/2019	Amato	D26/81
D862,767 S *	10/2019	Pomputius	D26/81

(Continued)

OTHER PUBLICATIONS

Bautista 5-Light Sputnik Chandelier found at birchlane.com visited
Jul. 23, 2018. (Year: 2018).*

(Continued)

Primary Examiner — Clare E Hefflin

(74) *Attorney, Agent, or Firm* — Saidman DesignLaw
Group, LLC

(57) **CLAIM**

The ornamental design for a light, as shown and described.

DESCRIPTION

FIG. 1 is a perspective view of a light showing our new
design;

FIG. 2 is a front view, the rear view being identical thereto;
FIG. 3 is a right side view, the opposite side view being
identical thereto;

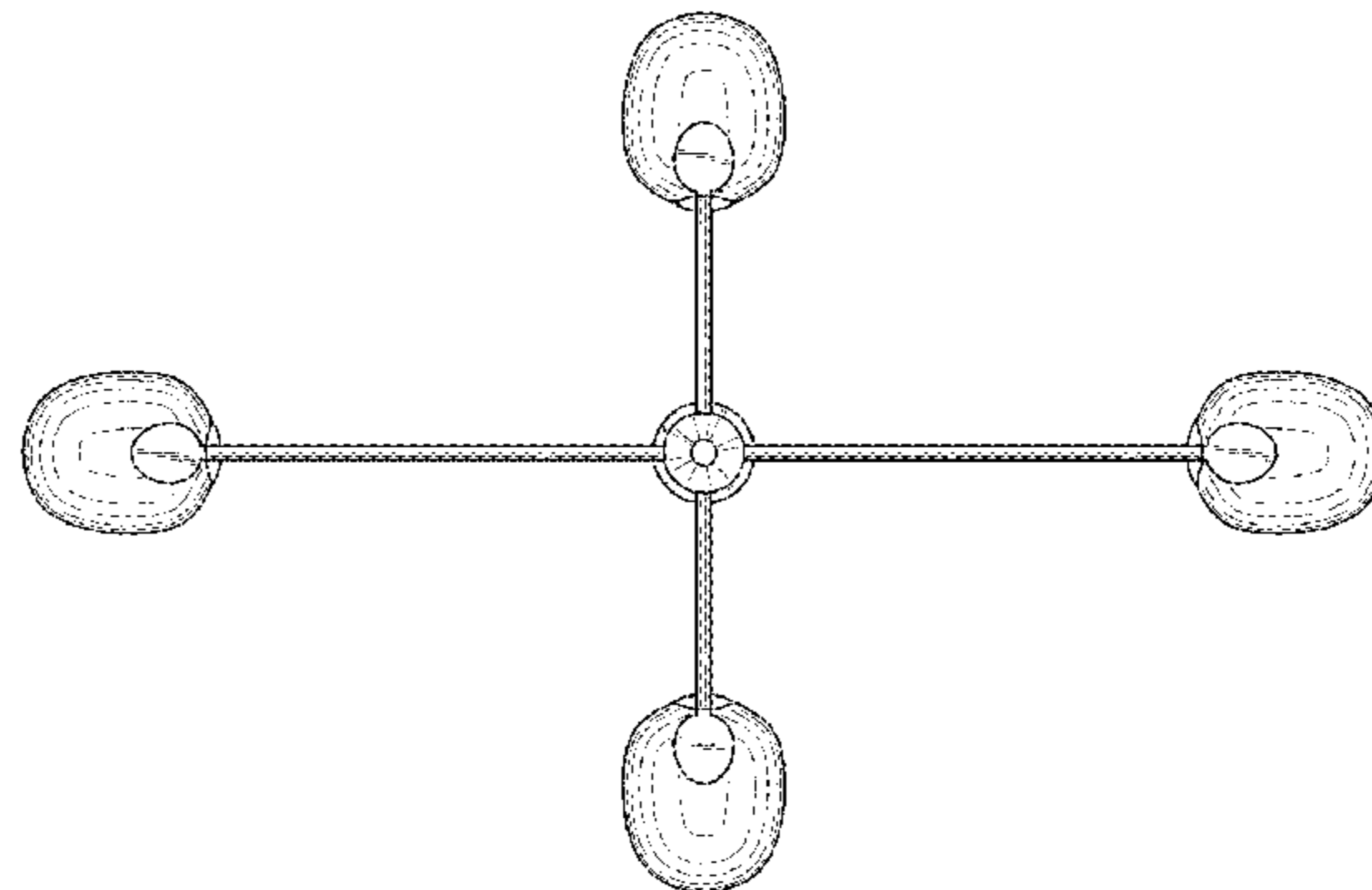
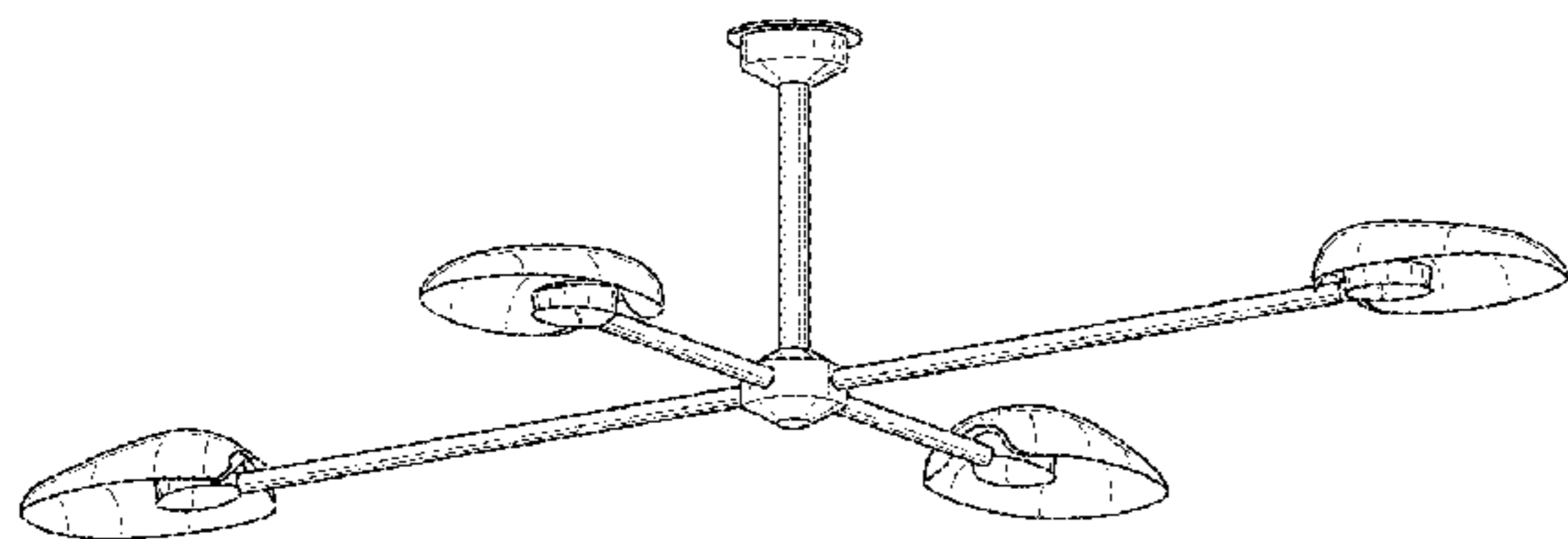
FIG. 4 is a top view thereof; and,

FIG. 5 is a bottom view thereof.

The broken lines illustrate portions of the light which form
no part of the claimed design.

The drawings include surface shading which illustrates
contour and not surface ornamentation.

1 Claim, 4 Drawing Sheets



(56)

References Cited

U.S. PATENT DOCUMENTS

D865,263 S * 10/2019 Amato D26/81
2017/0198872 A1 * 7/2017 Sonneman F21S 8/065

OTHER PUBLICATIONS

Rich Brilliant Willing's Palindrome chandelier, shown in the designboom online article by hollie smith dated Feb. 7, 2016. (Year: 2016).*

ACE Linear Suspension Light by Troy Lighting, from ylighting.com visited Feb. 19, 2020. (Year: 2020).*

Rich Brilliant Willing "Pilot" chandelier, from 2modern.com, visited Feb. 19, 2020. (Year: 2020).*

Jane 5—Light Chandelier / Collection: ED Ellen DeGeneres, from generationlighting.com, visited Feb. 19, 2020. (Year: 2020).*

* cited by examiner

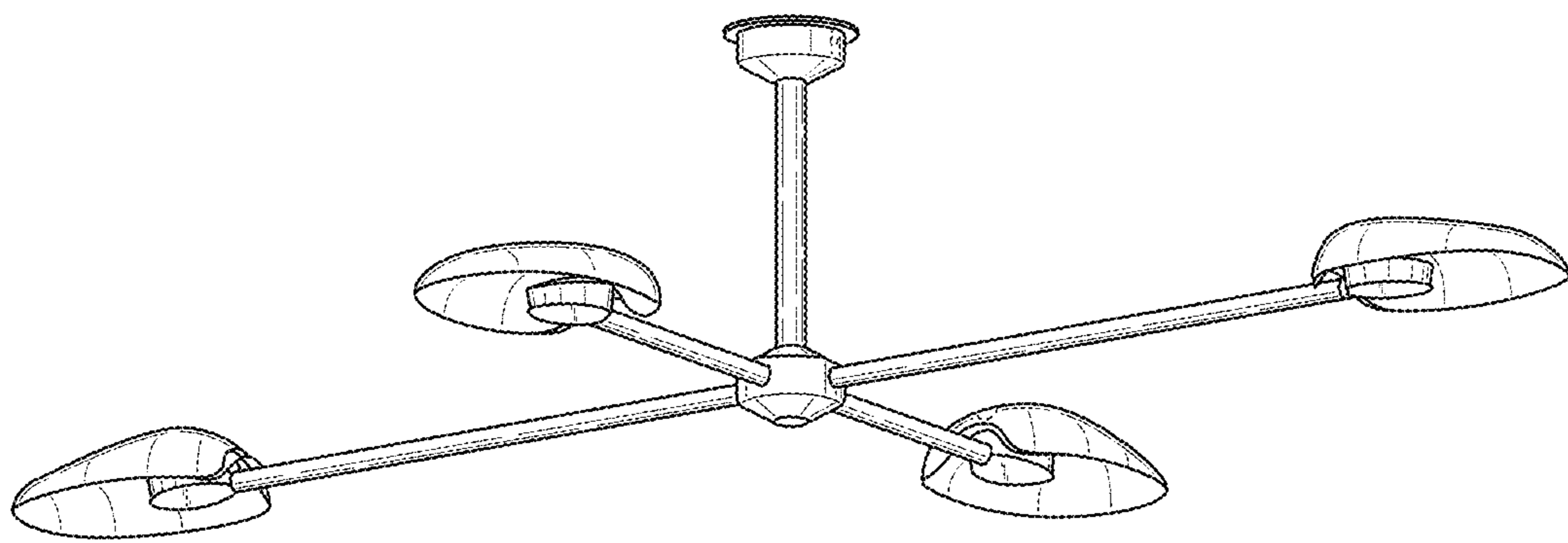


Fig. 1

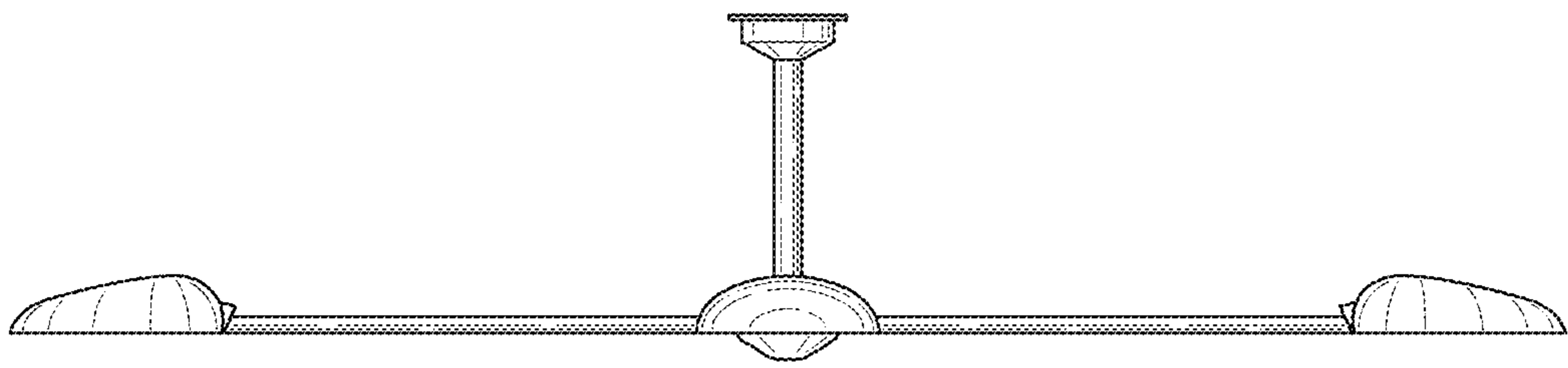


Fig. 2

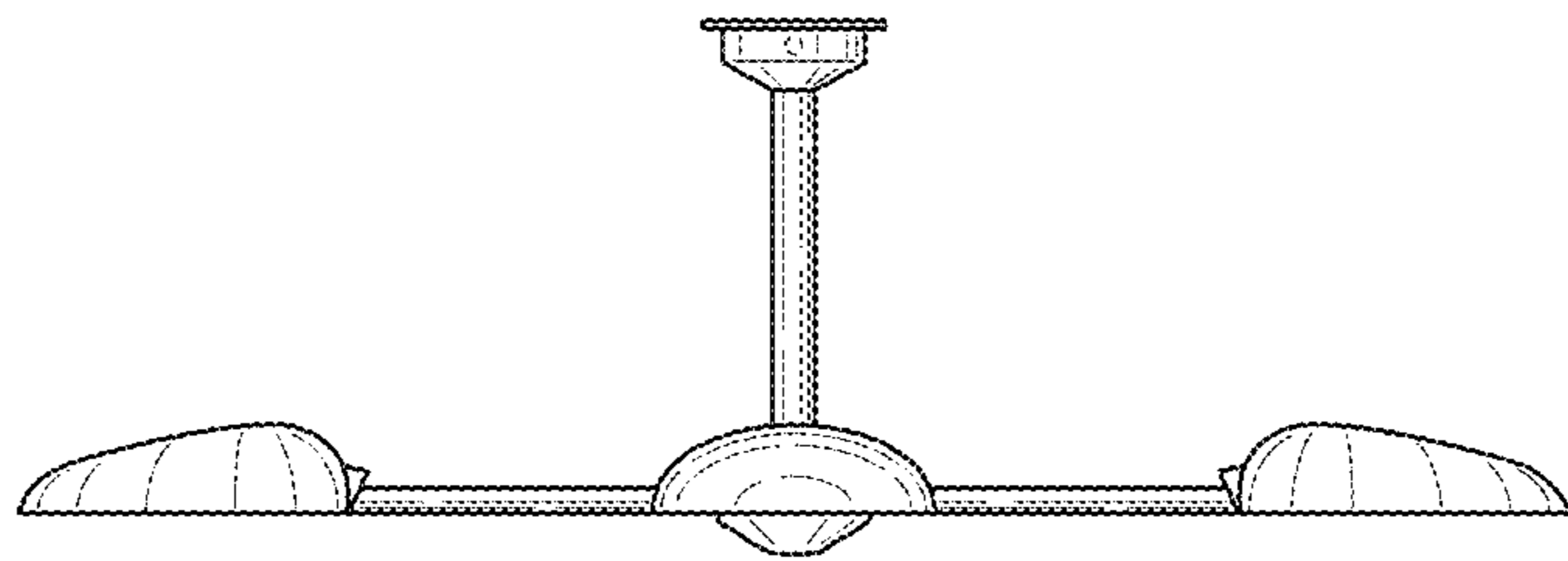


Fig. 3

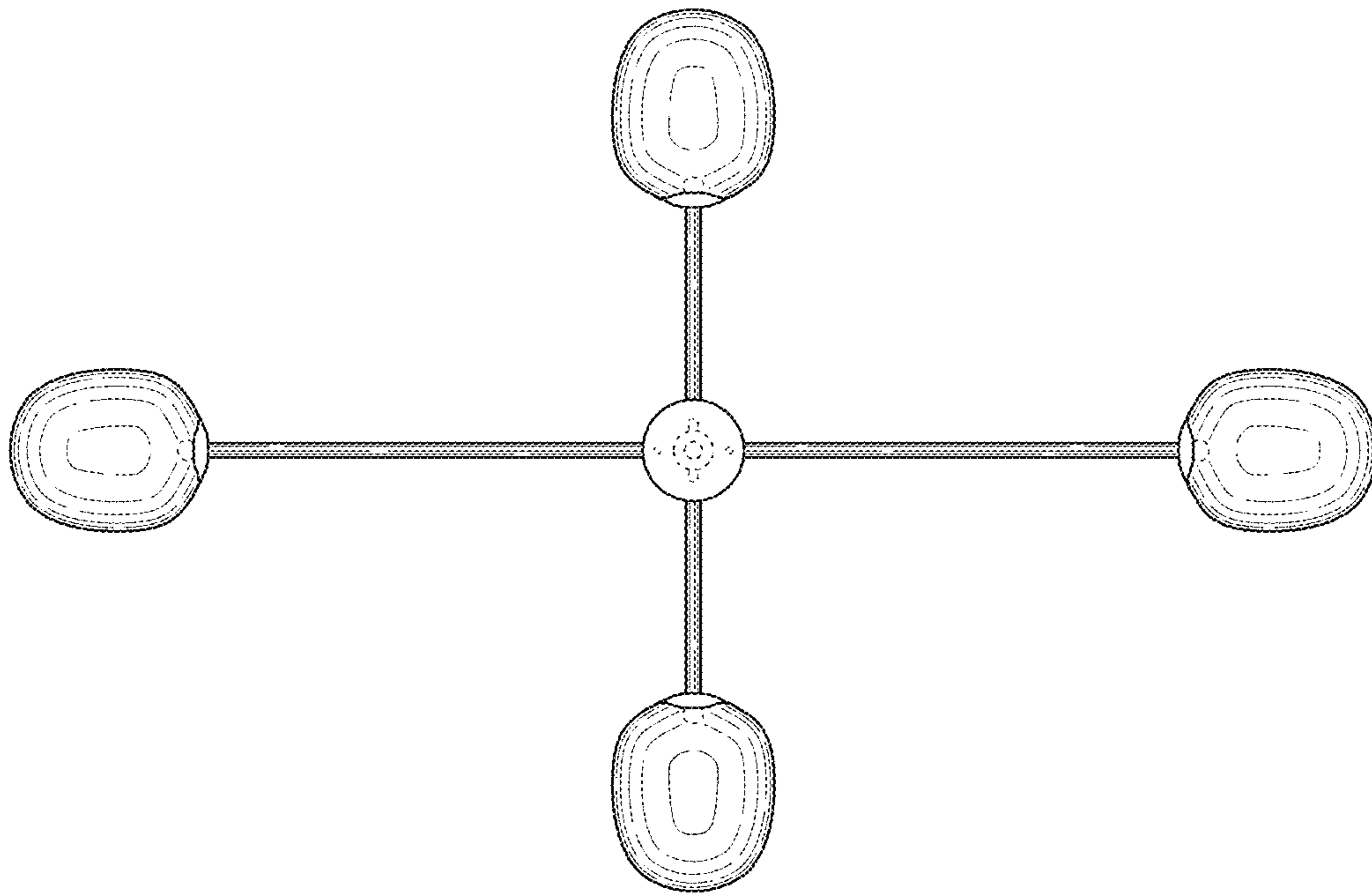


Fig. 4

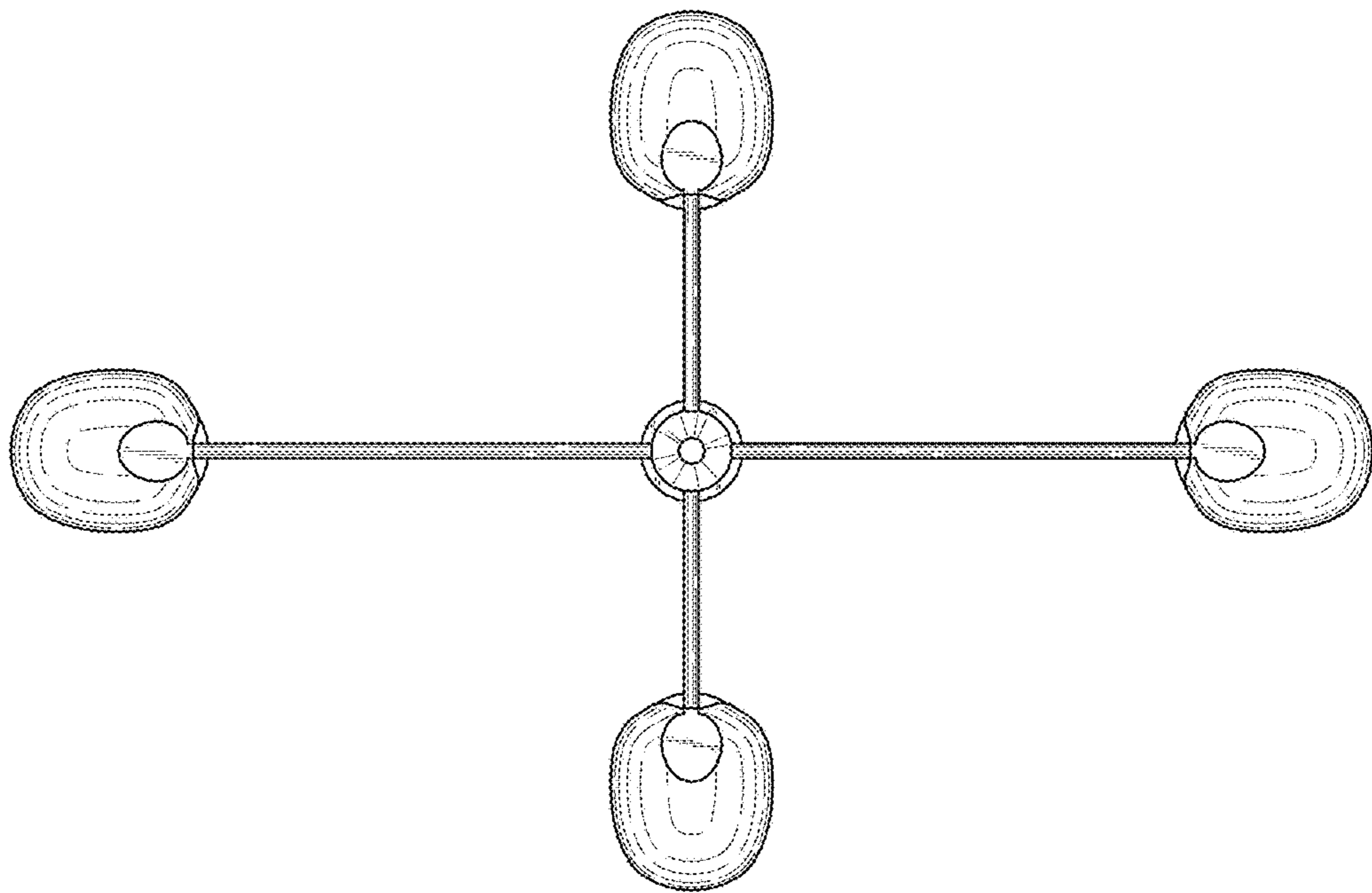


Fig. 5