



US00D889723S

(12) **United States Design Patent**
Lau

(10) **Patent No.:** **US D889,723 S**

(45) **Date of Patent:** **** Jul. 7, 2020**

(54) **LIGHTING FIXTURE**

(71) Applicant: **CleanLife Energy LLC**, Cleveland, OH (US)

(72) Inventor: **James Lau**, Shenzhen (CN)

(73) Assignee: **CLEANLIFE ENERGY LLC**, Cleveland, OH (US)

(**) Term: **15 Years**

(21) Appl. No.: **29/665,521**

(22) Filed: **Oct. 4, 2018**

(51) **LOC (12) Cl.** **26-05**

(52) **U.S. Cl.**
USPC **D26/76**

(58) **Field of Classification Search**
USPC D26/39, 59, 67, 68, 69, 70, 71, 72, 74, D26/76, 77, 80, 88, 89, 138, 25-28, 37, D26/75, 78, 85, 104, 108, 142
CPC F21S 2/00; F21S 4/00; F21S 4/003; F21S 4/005; F21S 4/006; F21S 4/007; F21S 4/008; F21S 6/00; F21S 8/00; F21S 8/04
See application file for complete search history.

(56) **References Cited**

U.S. PATENT DOCUMENTS

D511,221 S *	11/2005	Zucker	D26/76
6,984,055 B2 *	1/2006	McCarthy	F21S 2/00 362/219
D520,667 S *	5/2006	Jae-Sung	D26/25
D663,882 S *	7/2012	Muraishi	D26/76
D703,858 S *	4/2014	Miller	D26/76
D729,423 S *	5/2015	Noh	D26/24
D735,390 S *	7/2015	Yanping	D26/74

D765,299 S *	8/2016	Ladnier	D26/76
D776,854 S *	1/2017	Baumeister	D26/76
D784,594 S *	4/2017	Stolte	D26/76
D790,947 S *	7/2017	Key	D8/315
D800,367 S *	10/2017	Ladnier	D26/76
D816,258 S *	4/2018	Zhu	D26/76
D817,534 S *	5/2018	Noh	D26/76
D819,864 S *	6/2018	Deng	D26/76
D833,663 S *	11/2018	Stromborg	D26/74
D847,394 S *	4/2019	Reynolds	D26/76
D851,804 S *	6/2019	Reynolds	D26/76
D869,731 S *	12/2019	Shundong	D26/85

* cited by examiner

Primary Examiner — Mark A Goodwin

Assistant Examiner — Benjamin M Weeks

(74) *Attorney, Agent, or Firm* — Renner, Otto, Boisselle & Sklar, LLP

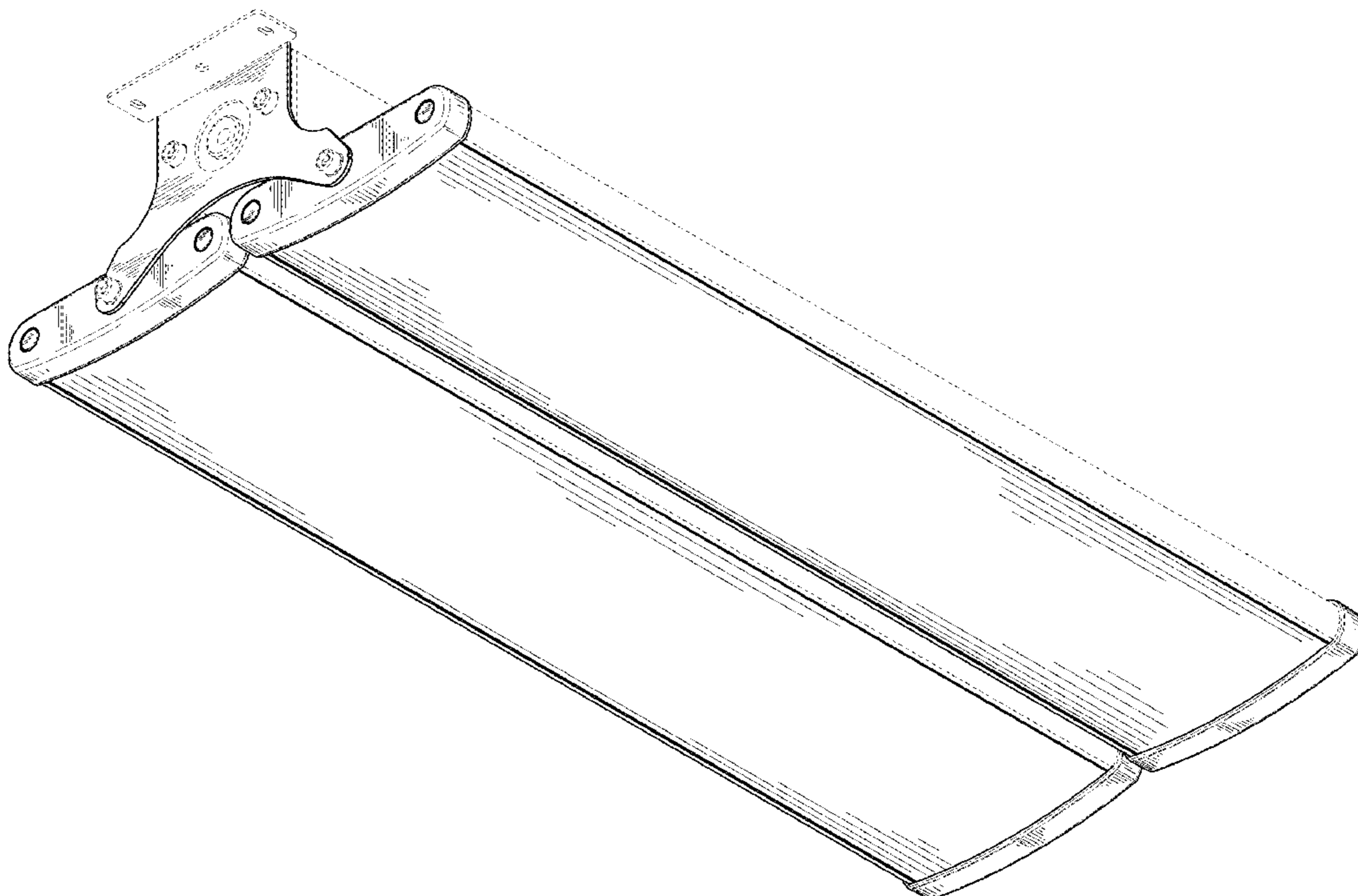
(57) **CLAIM**

The ornamental design for a light fixture, as shown and described.

DESCRIPTION

FIG. 1 is a bottom, front, left perspective view of a light fixture showing my new design;
FIG. 2 is a top, front, left perspective view thereof;
FIG. 3 is a bottom plan view thereof;
FIG. 4 is a top plan view thereof;
FIG. 5 is a rear elevation view thereof;
FIG. 6 is a front elevation view thereof; and,
FIG. 7 is a left side elevation view thereof, the right side elevation view being identical thereto.
The broken line showing is for the purpose of illustrating unclaimed portions of the article and forms no part of the claimed design.

1 Claim, 5 Drawing Sheets



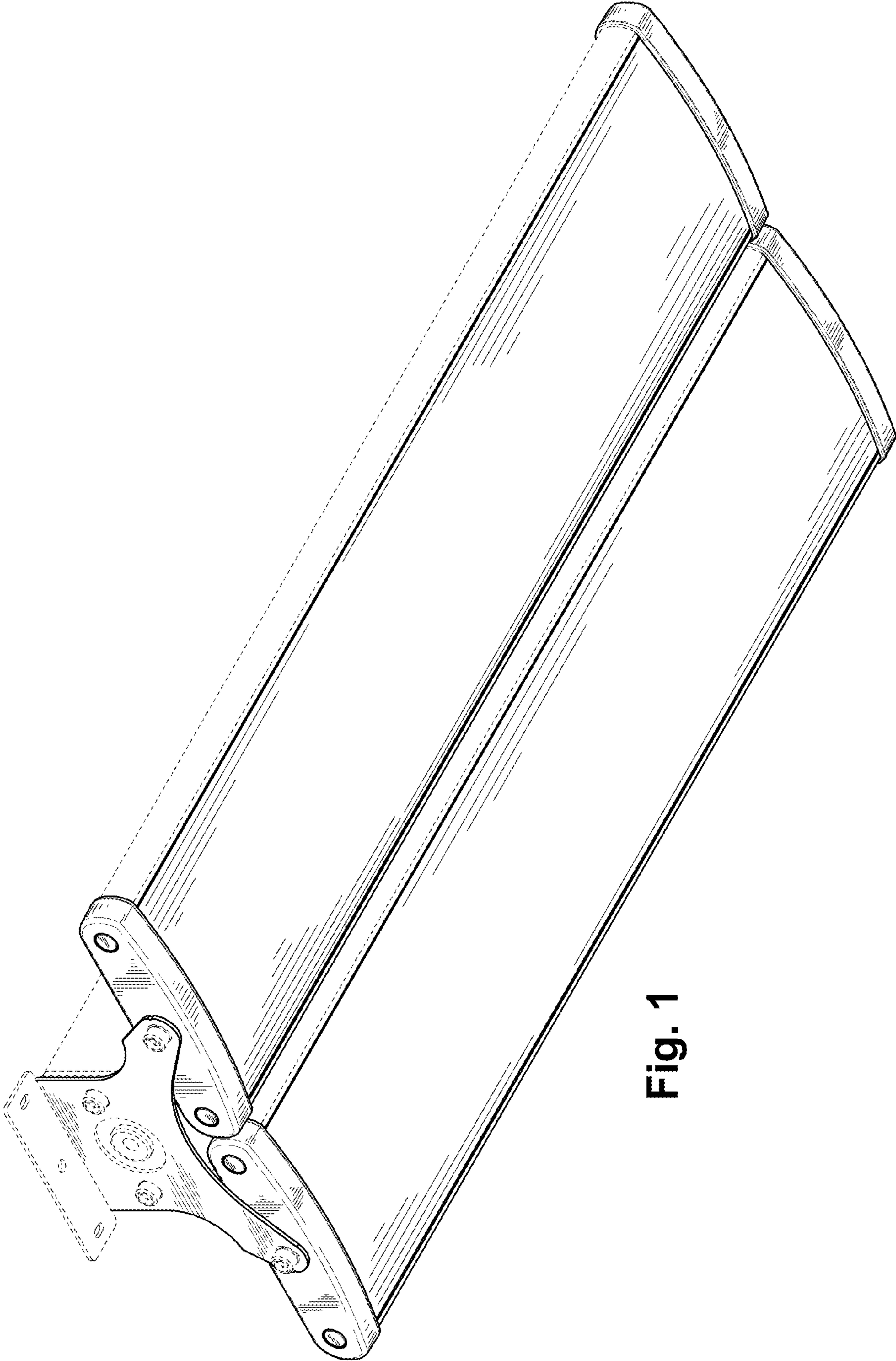


Fig. 1

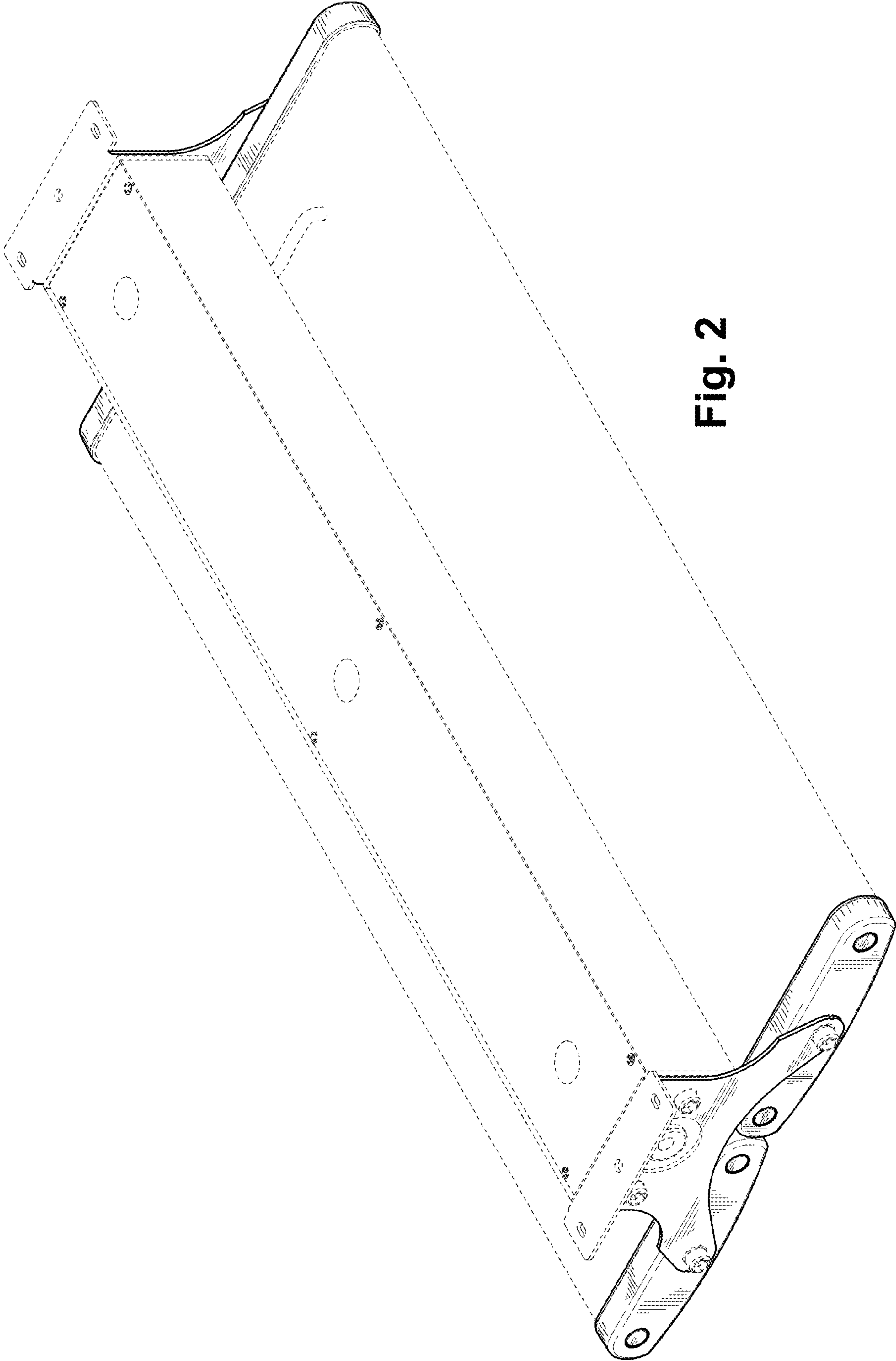


Fig. 2

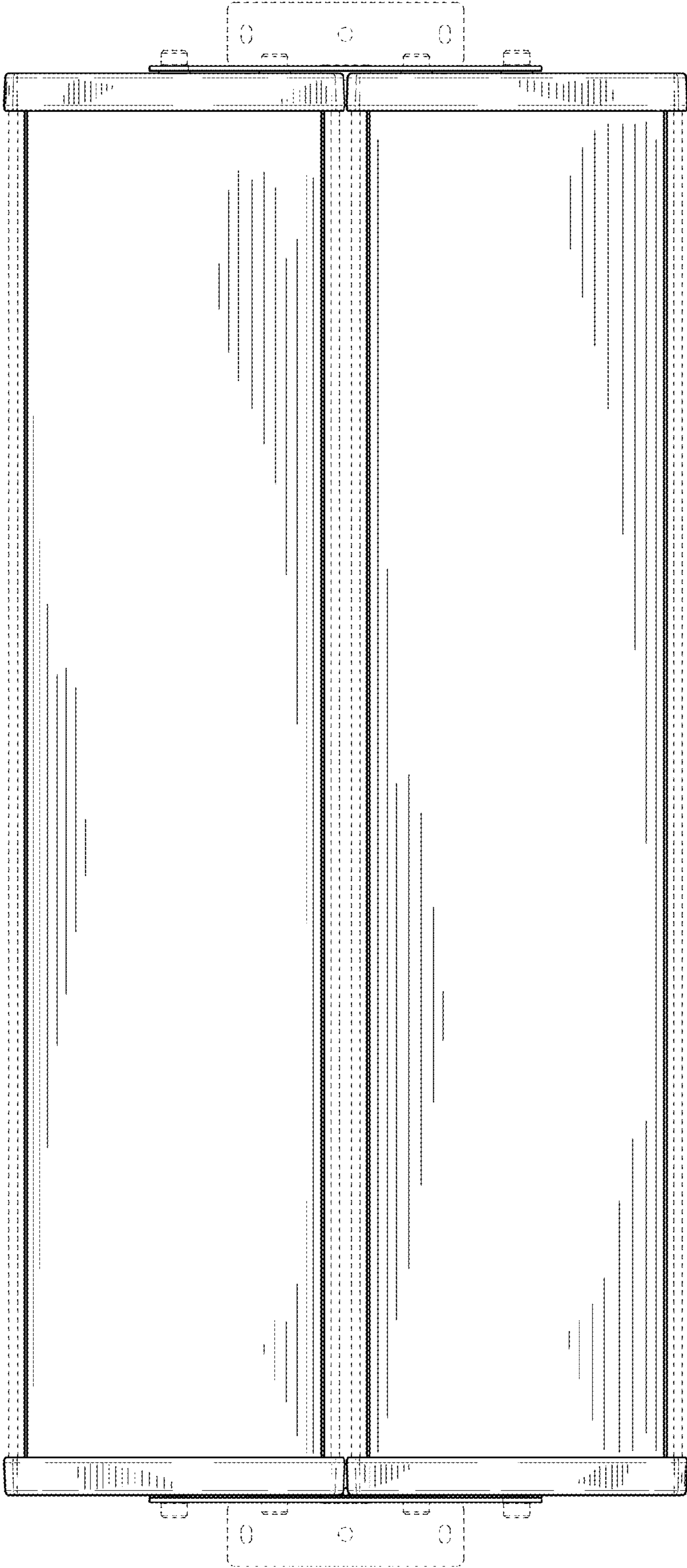


Fig. 3

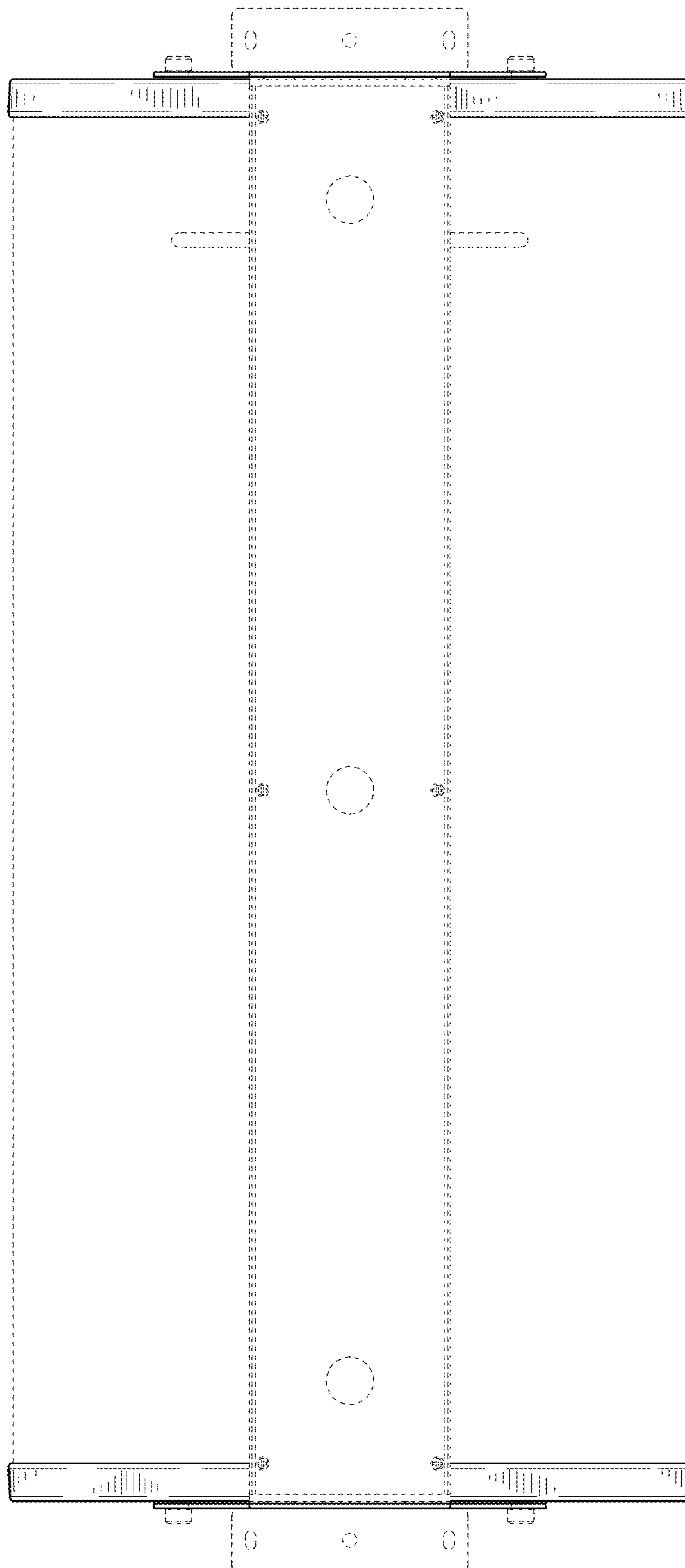


Fig. 4

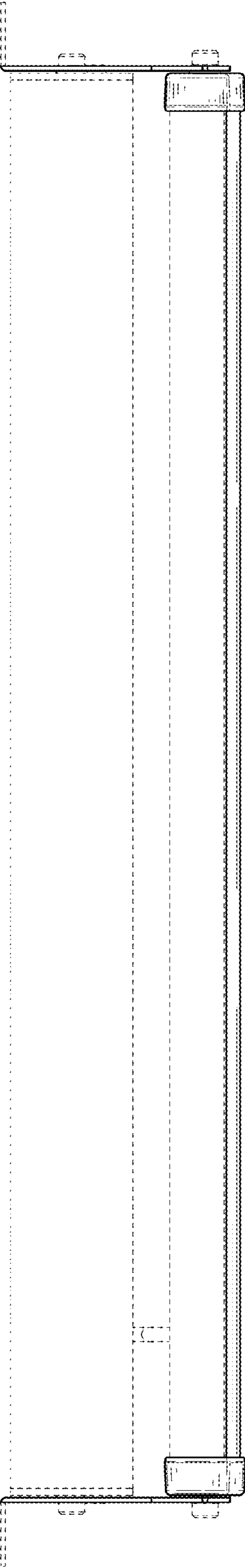


Fig. 5

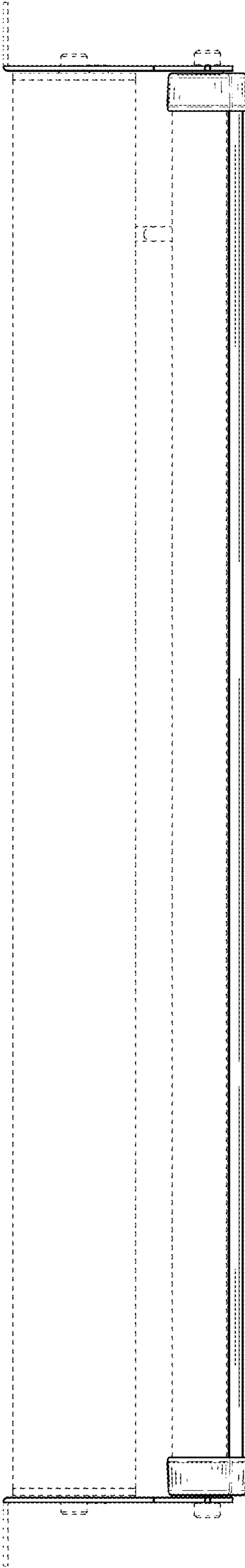


Fig. 6

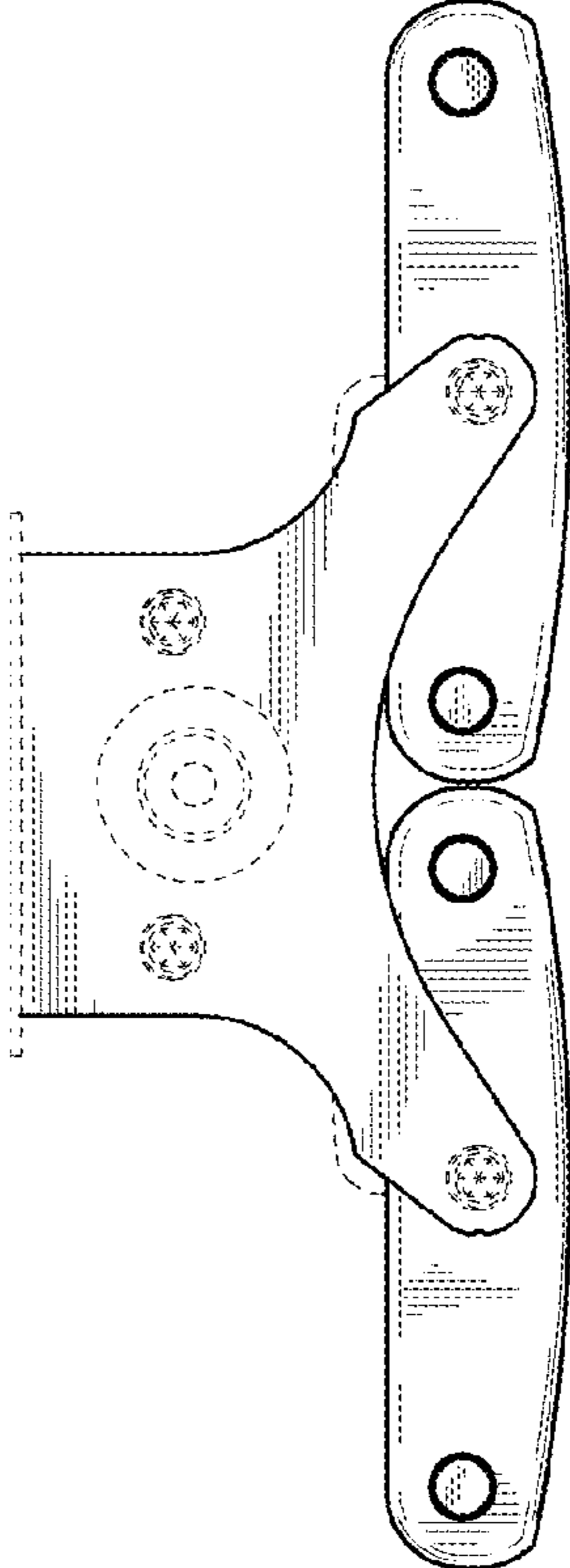


Fig. 7