



US00D889722S

(12) **United States Design Patent**  
**Veltri et al.**

(10) **Patent No.:** **US D889,722 S**  
(45) **Date of Patent:** **\*\* Jul. 7, 2020**

(54) **WALL MOUNT LIGHT FIXTURE AND  
LIGHT FIXTURE SENSOR**

(71) Applicant: **Hubbell Incorporated**, Shelton, CT  
(US)

(72) Inventors: **Thomas Veltri**, Simpsonville, SC (US);  
**Dhavalkumar Patel**, Greer, SC (US)

(73) Assignee: **Hubbell Incorporated**, Shelton, CT  
(US)

(\*\*) Term: **15 Years**

(21) Appl. No.: **29/602,994**

(22) Filed: **May 5, 2017**

(51) **LOC (12) Cl.** ..... **26-04**

(52) **U.S. Cl.**  
USPC ..... **D26/76**

(58) **Field of Classification Search**  
USPC ..... D26/72, 74, 76, 78-83, 85, 86, 88, 90,  
D26/93, 111, 113, 118, 119, 120, 121,  
D26/122, 138, 139, 140, 141, 142, 152  
CPC ..... F21S 2/00; F21S 4/00; F21S 4/003; F21S  
4/005; F21S 4/006; F21S 4/007; F21S  
4/008; F21S 6/00; F21S 8/00; F21S  
8/024; F21S 8/026; F21S 8/031; F21S  
8/033; F21S 8/035-037; F21S 8/04; F21S  
8/043; F21S 8/063

See application file for complete search history.

(56) **References Cited**

**U.S. PATENT DOCUMENTS**

D418,936 S \* 1/2000 Dunning ..... D26/3  
D459,012 S \* 6/2002 Shemitz ..... D26/76  
D472,007 S \* 3/2003 Weitgasser ..... D26/76

D481,483 S \* 10/2003 Waugh ..... D26/76  
RE40,158 E \* 3/2008 Weitgasser ..... D26/76  
D604,885 S \* 11/2009 Ford ..... D26/76  
D607,598 S \* 1/2010 Xiao ..... D26/76  
D607,599 S \* 1/2010 Zhou ..... D26/76  
D671,254 S \* 11/2012 Miyatake ..... D26/75  
D695,440 S \* 12/2013 Kim ..... D26/72  
D701,989 S \* 4/2014 Rodgers ..... D26/76  
D732,225 S \* 6/2015 Grandsart ..... D26/75  
D733,347 S \* 6/2015 Dungan ..... D26/76  
D747,030 S \* 1/2016 Pfund ..... F21V 21/00  
D26/138  
D791,383 S \* 7/2017 Yu ..... D26/76  
D808,061 S \* 1/2018 Wouters ..... D26/78  
D822,872 S \* 7/2018 Frederiksen ..... D26/76  
D850,706 S \* 6/2019 Pearson ..... F21S 8/033  
D26/120

\* cited by examiner

*Primary Examiner* — Natasha Vujcic

(74) *Attorney, Agent, or Firm* — Michael Best &  
Friedrich, LLP

(57) **CLAIM**

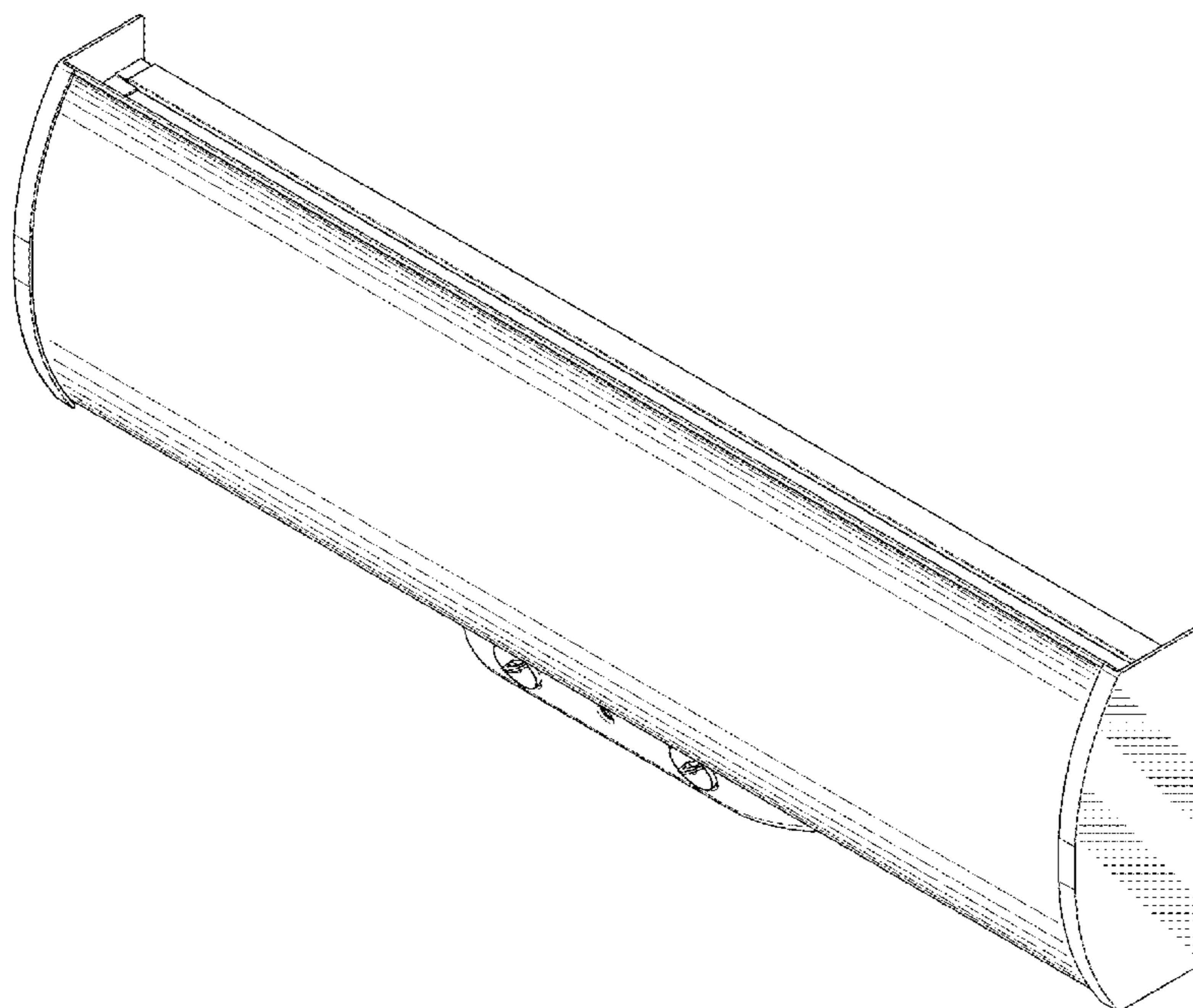
The ornamental design for a wall mount light fixture and light fixture sensor, as shown and described.

**DESCRIPTION**

FIG. 1 is a front perspective view of a wall mount light fixture and light fixture sensor;  
FIG. 2 is a front view of FIG. 1;  
FIG. 3 is a side view of FIG. 1 with the opposite side being a mirror image thereof;  
FIG. 4 is a top side view of FIG. 1; and,  
FIG. 5 is a bottom view of FIG. 1.

The broken lines in the drawings illustrate portions of the wall mount light fixture and light fixture sensor which forms no part of the claimed design.

**1 Claim, 4 Drawing Sheets**



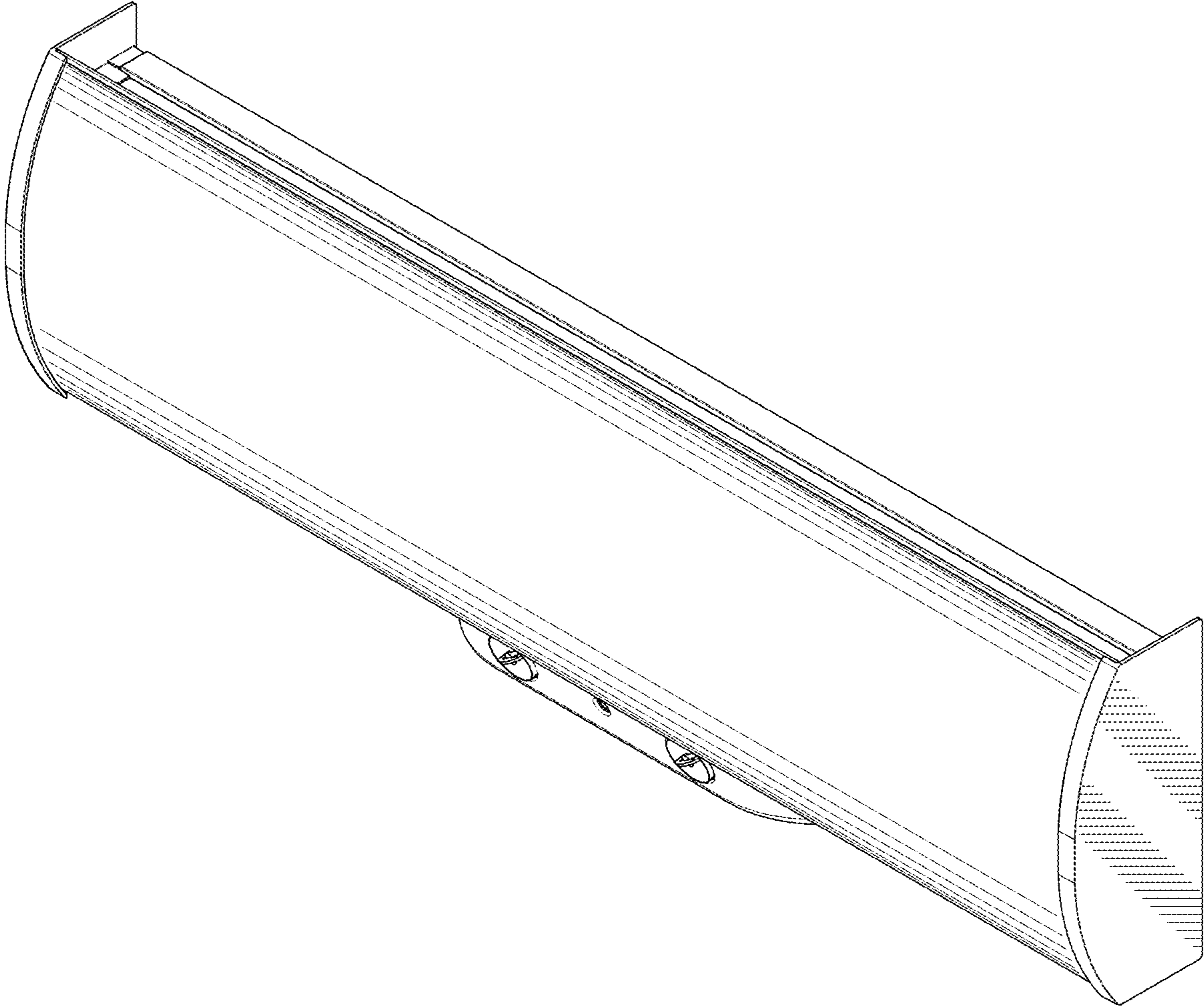


FIG. 1

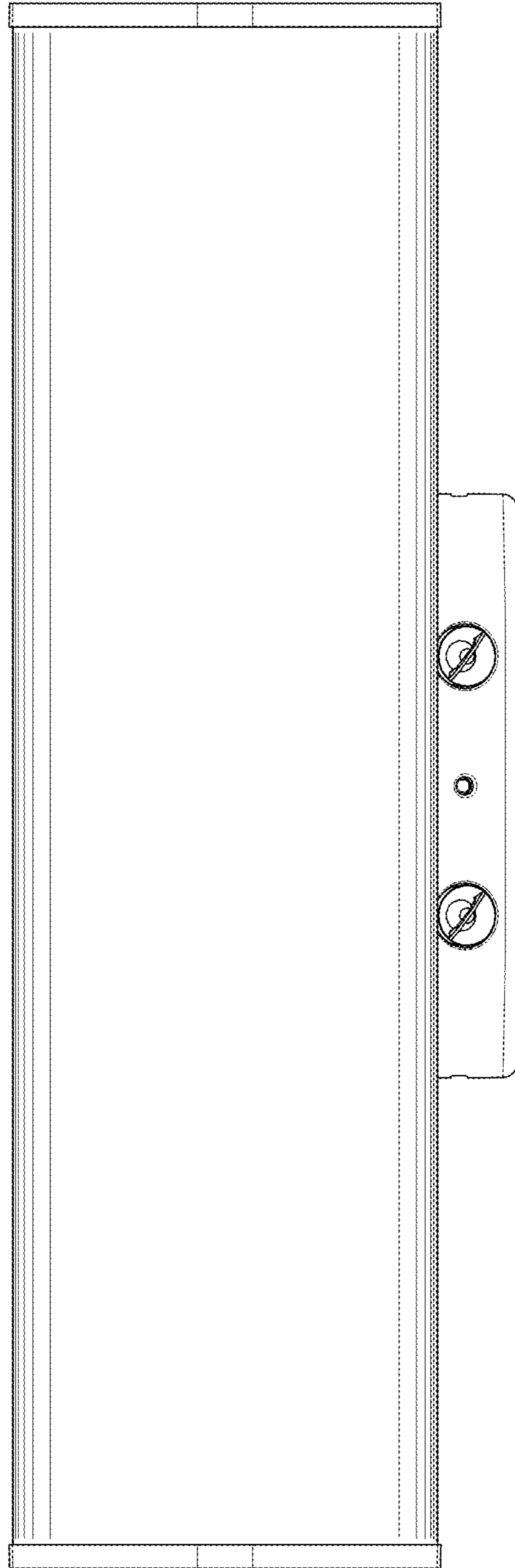


FIG. 2

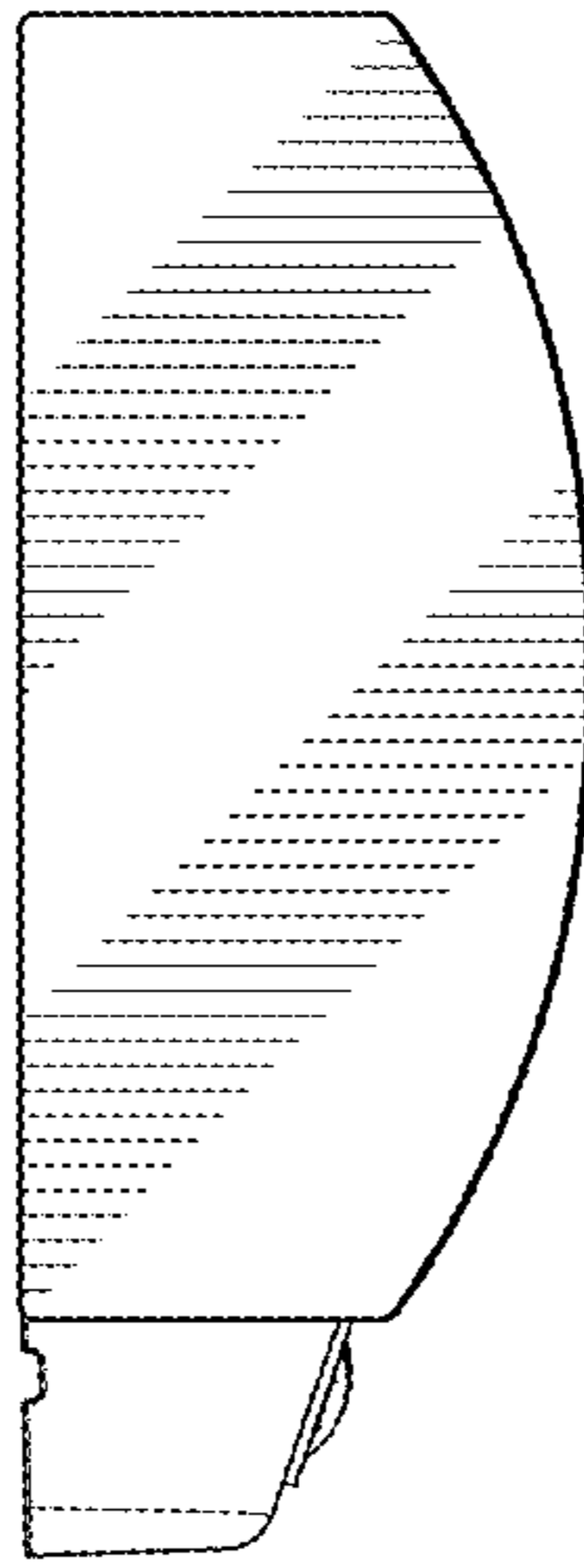


FIG. 3



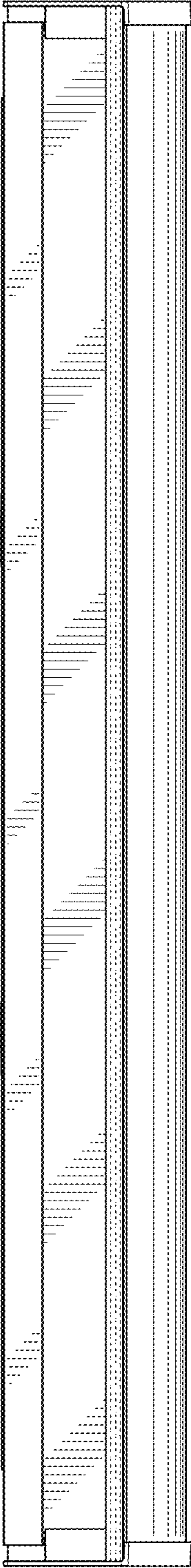


FIG. 4

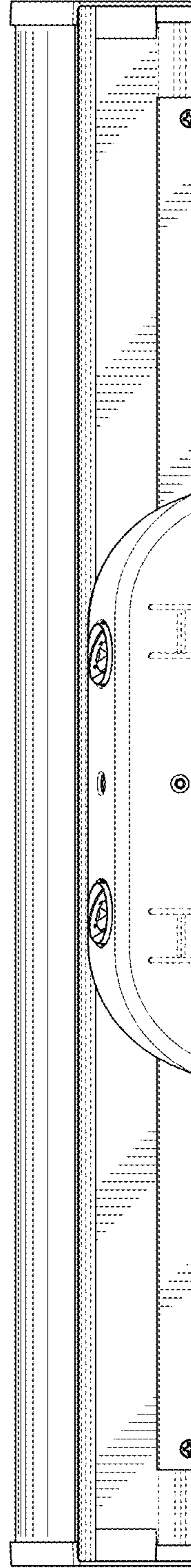


FIG. 5