



US00D889721S

(12) **United States Design Patent** (10) **Patent No.:** **US D889,721 S**
Tan (45) **Date of Patent:** **** *Jul. 7, 2020**

(54) **MOTION SENSOR LIGHT**
(71) Applicant: **Solar Nation PowerTech Enterprises Co., Ltd.**, Guangzhou, Guangdong Province (CN)
(72) Inventor: **Bo Tan**, Guangdong (CN)
(73) Assignee: **Solar Nation PowerTech Enterprises Co., Ltd.**, Guangzhou, Guangdong (CN)

D361,149 S * 8/1995 Wedell D26/63
5,649,761 A * 7/1997 Sandell F21V 17/02
362/276
D441,113 S * 4/2001 Small D26/63
D713,579 S * 9/2014 Chen D26/63
D713,581 S * 9/2014 Chen D26/63
D713,582 S * 9/2014 Liang D26/63
D742,053 S * 10/2015 Sussman D26/63
D745,201 S * 12/2015 Lee D26/63
D765,901 S * 9/2016 Chen D26/63
D774,231 S * 12/2016 Recker D26/63

* cited by examiner

(*) Notice: This patent is subject to a terminal disclaimer.

Primary Examiner — Brian N. Vinson
(74) *Attorney, Agent, or Firm* — Leason Ellis LLP

(**) Term: **15 Years**

(21) Appl. No.: **29/693,664**

(57) **CLAIM**

The ornamental design of a motion sensor light, substantially as shown and described.

(22) Filed: **Jun. 4, 2019**

(51) **LOC (12) Cl.** **26-03**

(52) **U.S. Cl.**
USPC **D26/63**

DESCRIPTION

(58) **Field of Classification Search**
USPC D26/24, 51, 61, 63, 65, 72, 80
CPC F21S 8/04; F21S 8/00; F21V 21/00; F21V 17/02; F21V 14/02; F21V 21/30; F21V 21/14; F21V 21/26; F21W 2131/10
See application file for complete search history.

FIG. 1 is a top perspective view of a motion sensor light in accordance with the present invention;
FIG. 2 is a bottom perspective view of the motion sensor light in FIG. 1;
FIG. 3 is a top side view thereof;
FIG. 4 is bottom side view thereof;
FIG. 5 is left side view thereof;
FIG. 6 is right side view thereof;
FIG. 7 is a rear side view thereof; and,
FIG. 8 is a front side view thereof.

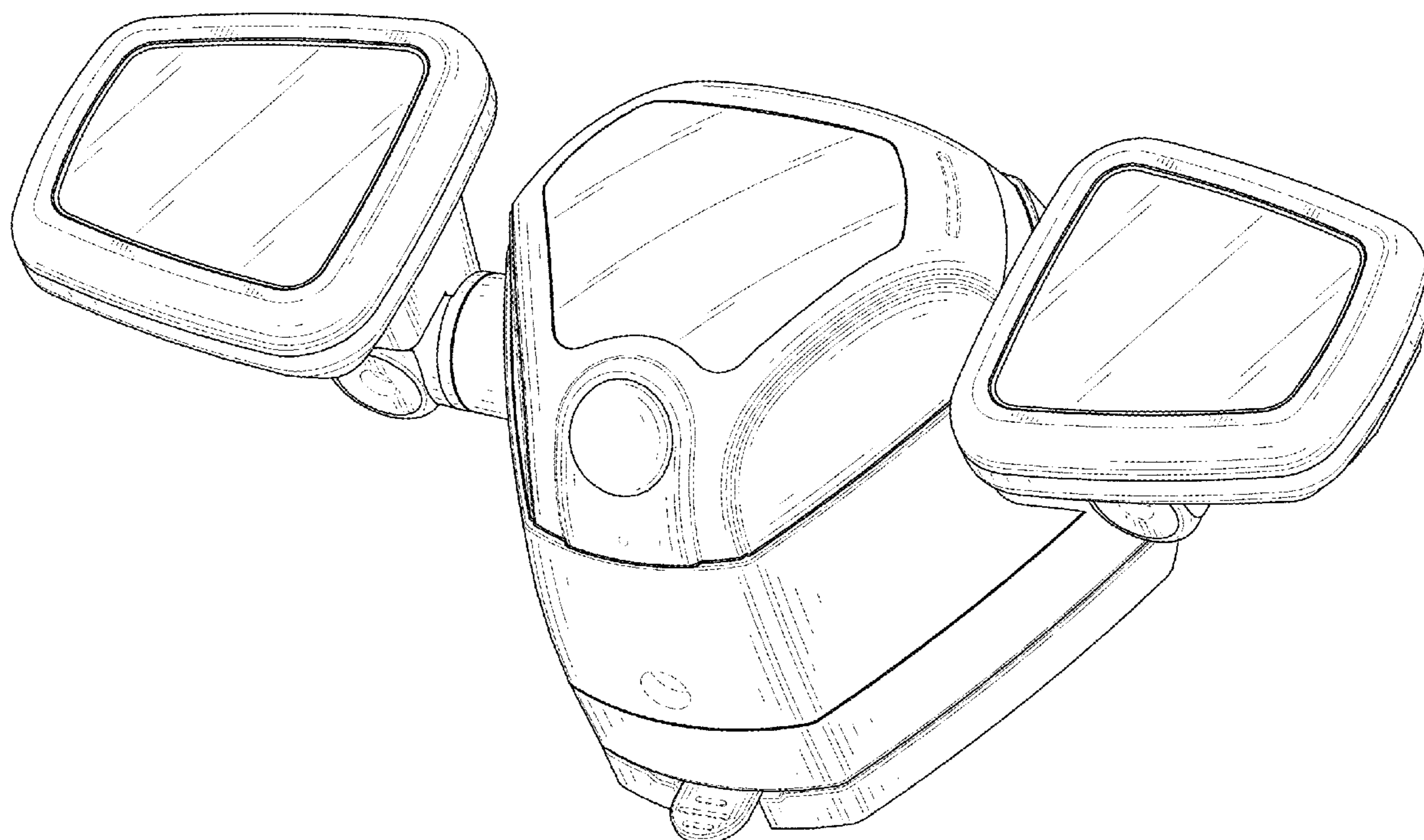
(56) **References Cited**

U.S. PATENT DOCUMENTS

5,258,899 A * 11/1993 Chen F21V 17/02
362/394
5,381,323 A * 1/1995 Osteen F21V 17/02
340/567

The broken lines in the drawings represent portions of the motion sensor light that form no part of the claimed design.

1 Claim, 8 Drawing Sheets



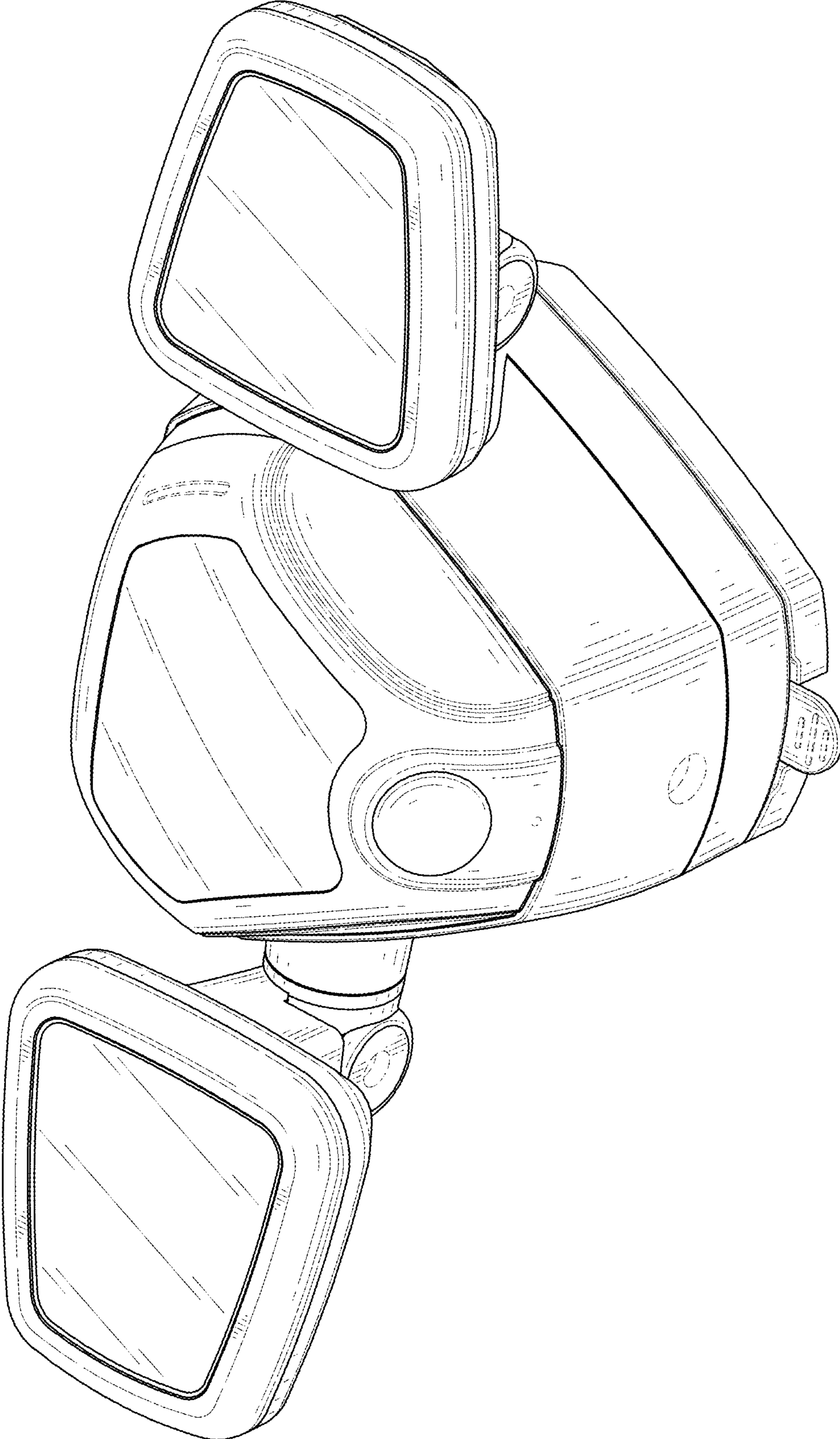


FIG. 1

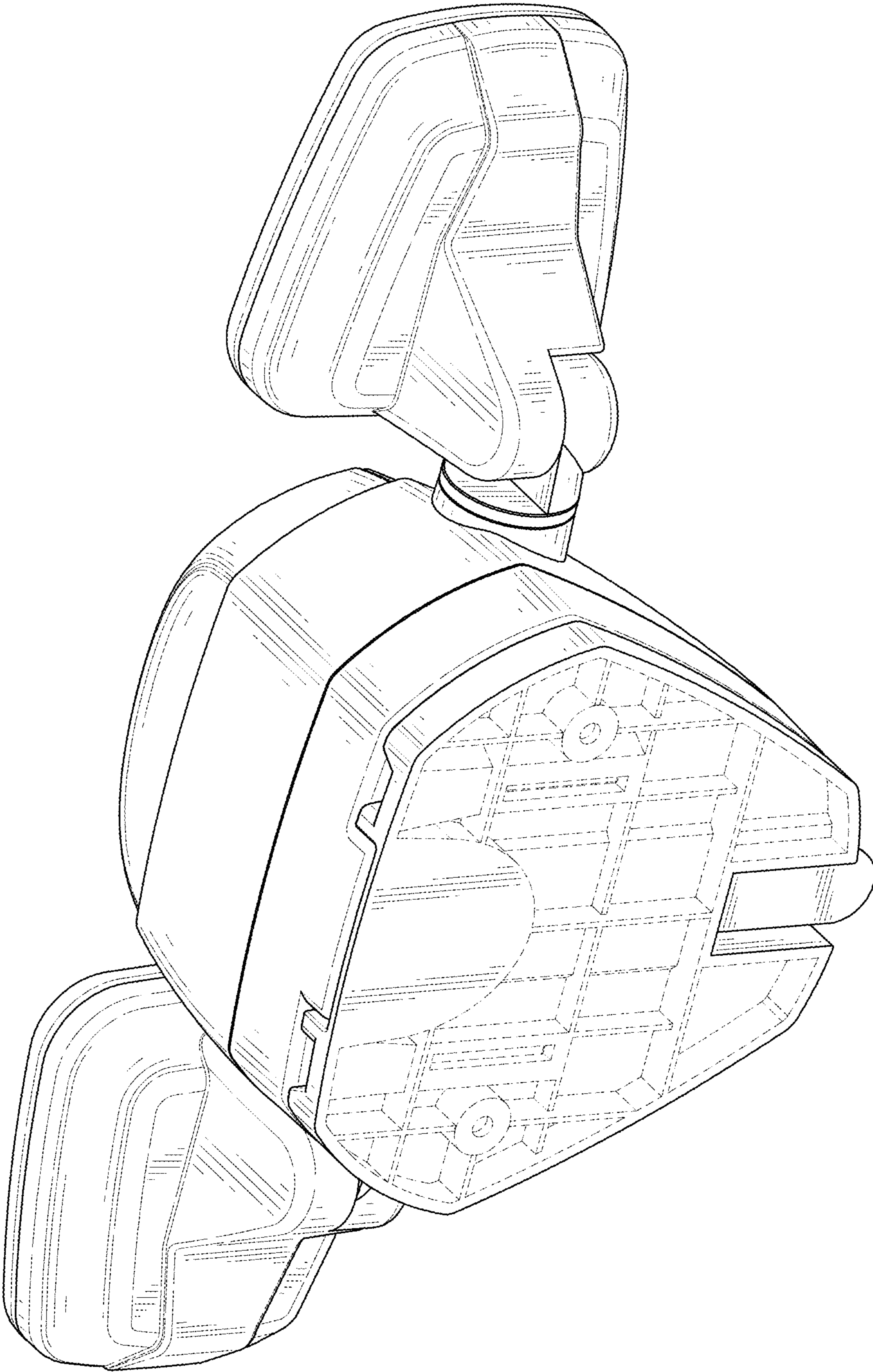


FIG. 2

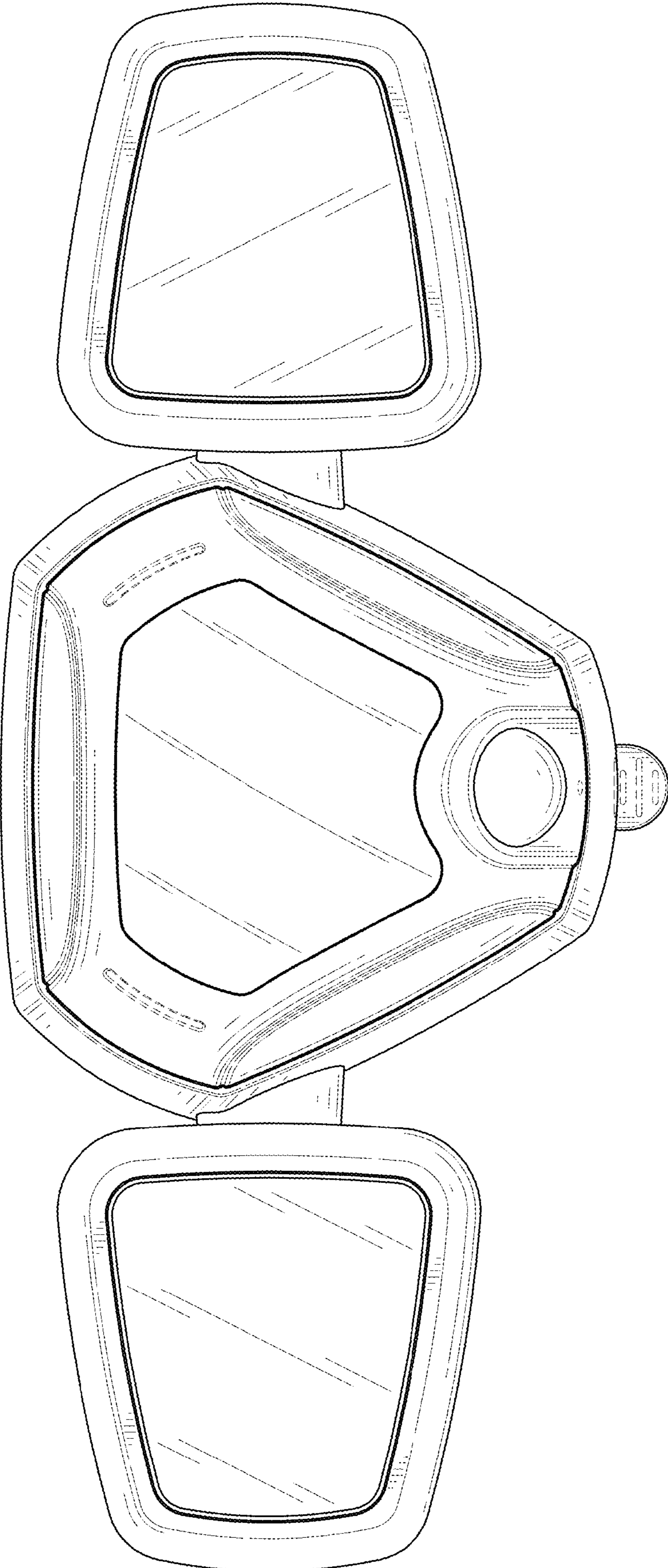


FIG. 3

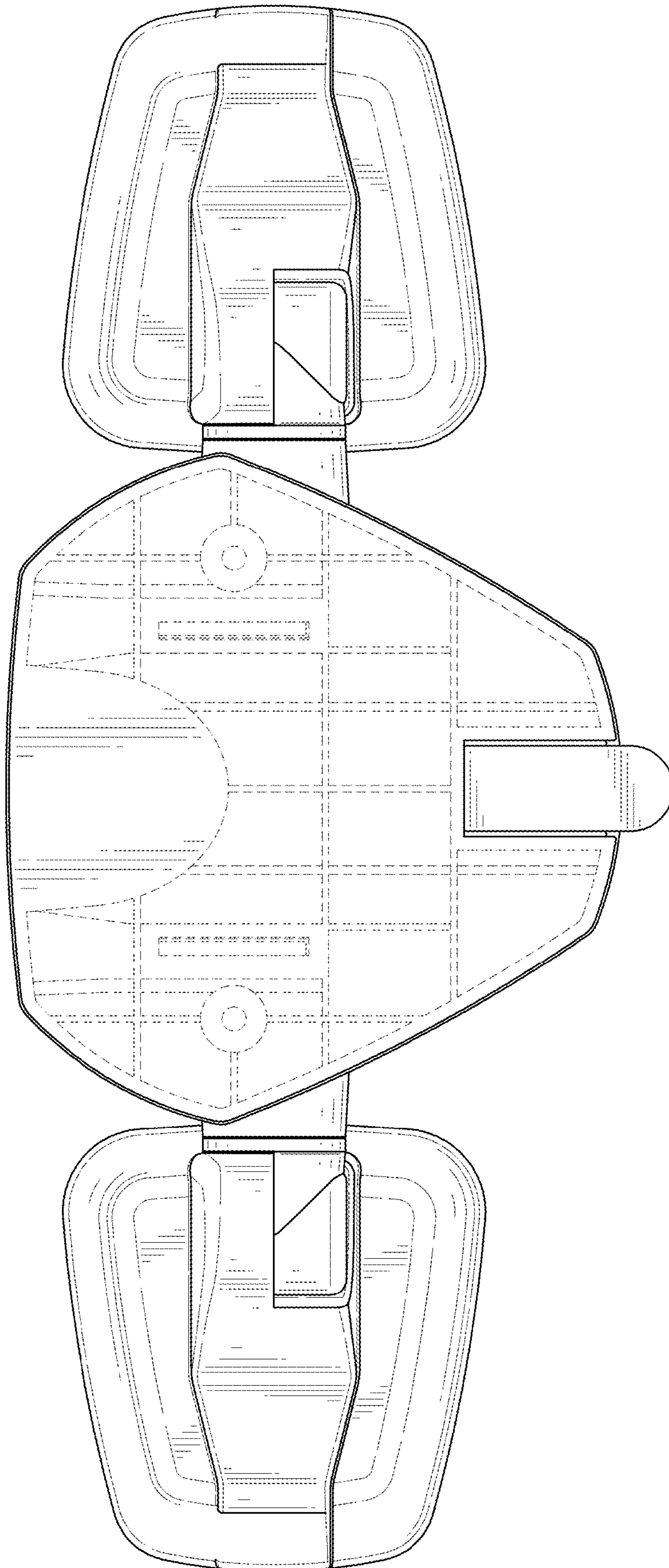


FIG. 4

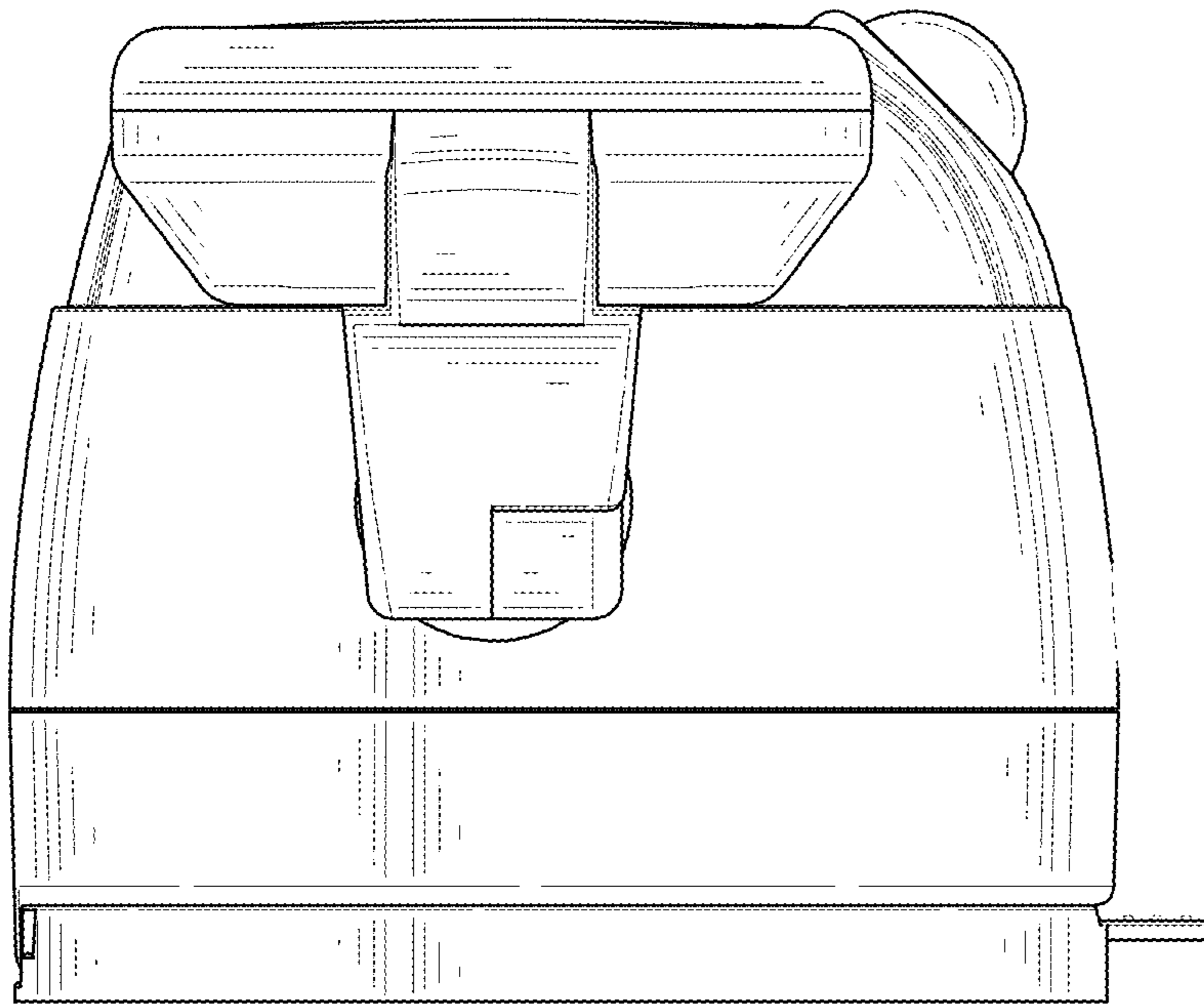


FIG. 5

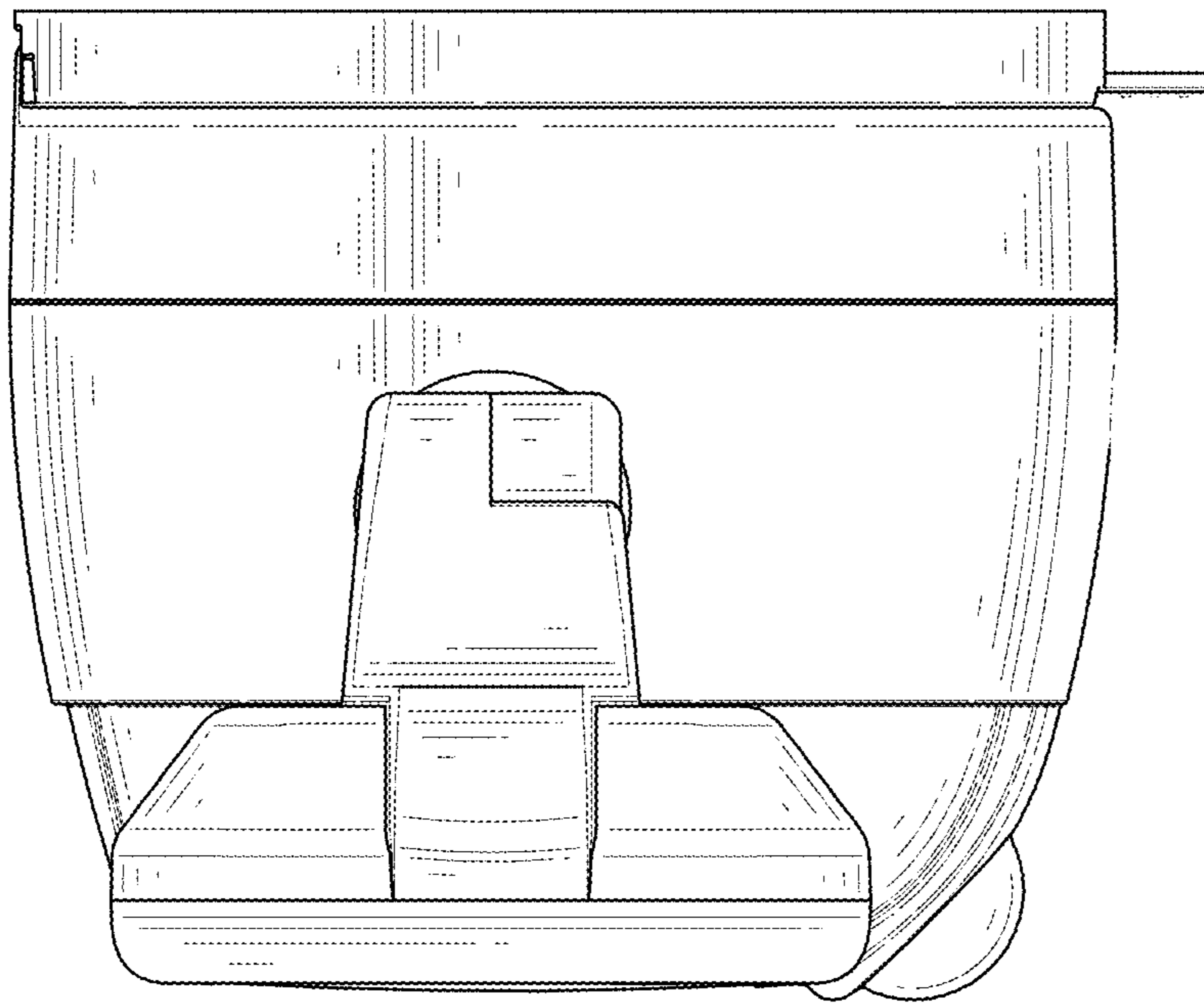


FIG. 6

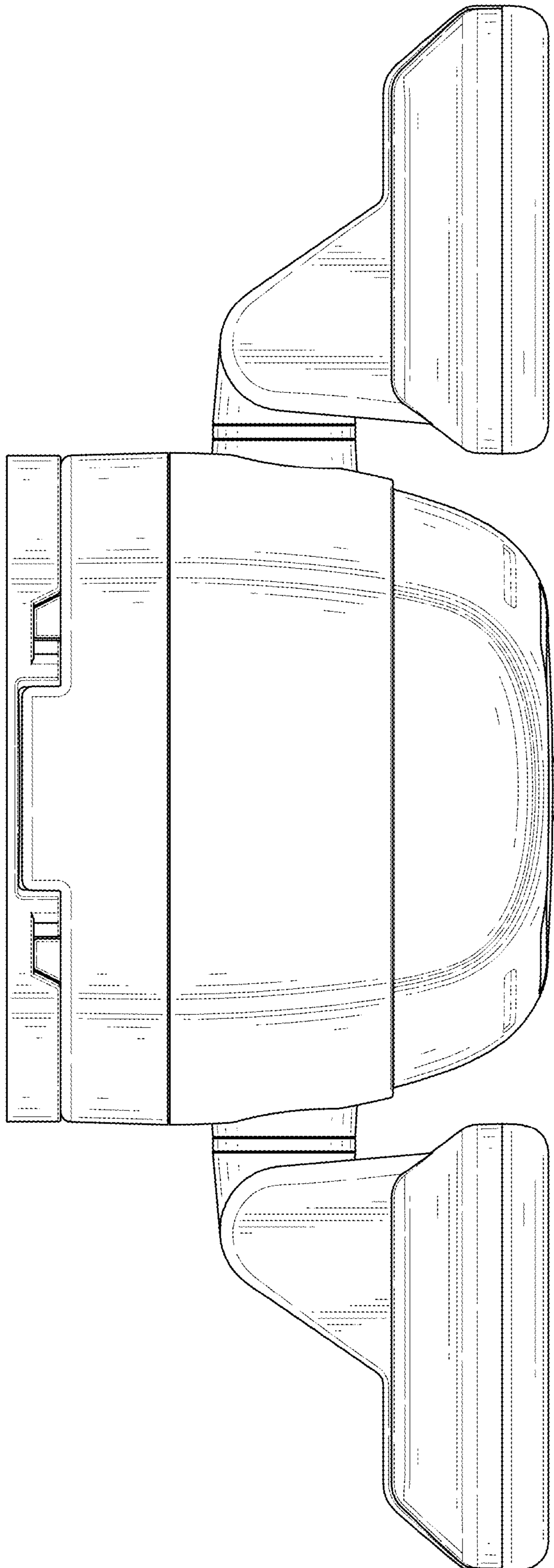


FIG. 7

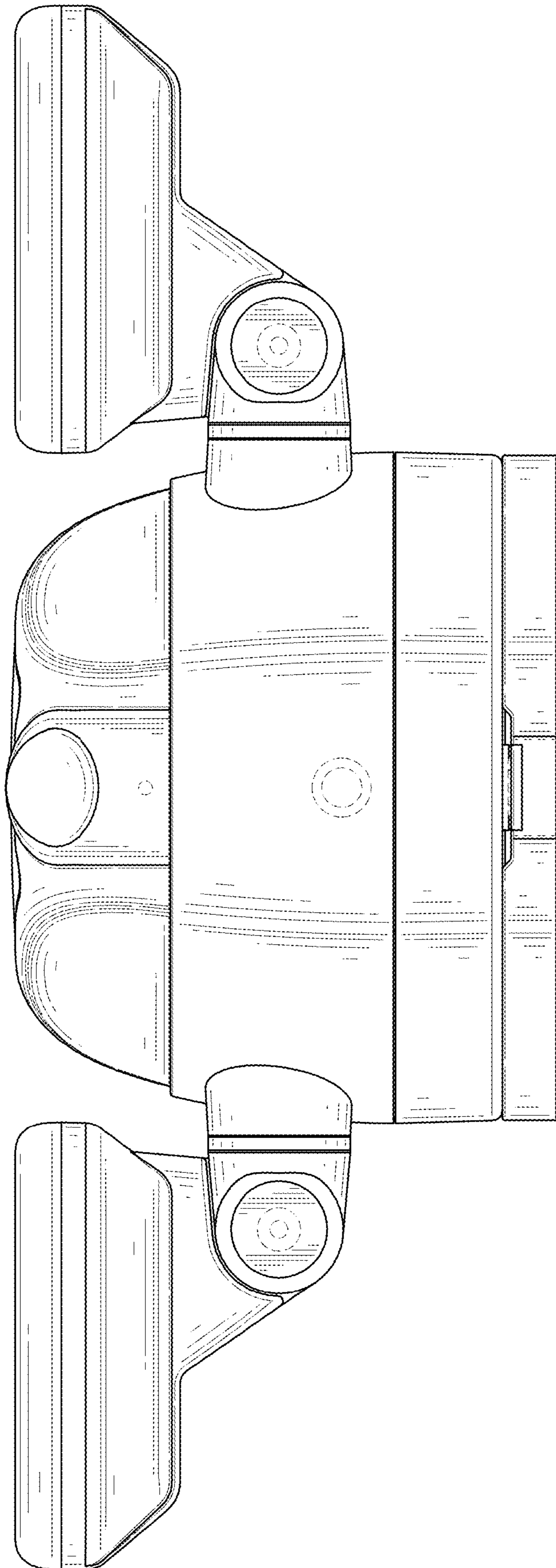


FIG. 8