



US00D889720S

(12) **United States Design Patent**  
**Zhu**

(10) **Patent No.:** **US D889,720 S**

(45) **Date of Patent:** **\*\* Jul. 7, 2020**

(54) **LAMP**

(71) Applicant: **YUYAO YUDA INDUSTRIAL CO., LTD.**, Ningbo, Zhejiang (CN)

(72) Inventor: **Liyun Zhu**, Zhejiang (CN)

(73) Assignee: **YUYAO YUDA INDUSTRIAL CO., LTD.**, Ningbo (CN)

(\*\*) Term: **15 Years**

(21) Appl. No.: **29/672,783**

(22) Filed: **Dec. 10, 2018**

(51) **LOC (12) Cl.** ..... **26-03**

(52) **U.S. Cl.**  
USPC ..... **D26/63**

(58) **Field of Classification Search**  
USPC ..... D26/24, 51, 61, 63, 65, 72, 80  
CPC .... F21S 8/04; F21S 8/00; F21V 21/00; F21V 17/02; F21V 14/02; F21V 21/30; F21V 21/14; F21V 21/26; F21W 2131/10  
See application file for complete search history.

(56) **References Cited**

**U.S. PATENT DOCUMENTS**

- 5,258,899 A \* 11/1993 Chen ..... F21V 17/02  
362/394
- 5,649,761 A \* 7/1997 Sandell ..... F21V 17/02  
362/276

- D392,406 S \* 3/1998 Morrow ..... D26/65
- D713,578 S \* 9/2014 Chen ..... D26/63
- D713,581 S \* 9/2014 Chen ..... D26/63
- D742,053 S \* 10/2015 Sussman ..... D26/63
- D745,201 S \* 12/2015 Lee ..... D26/63
- D810,982 S \* 2/2018 Liang ..... D26/63
- D869,038 S \* 12/2019 Recker ..... D26/63

\* cited by examiner

*Primary Examiner* — Brian N. Vinson

(57) **CLAIM**

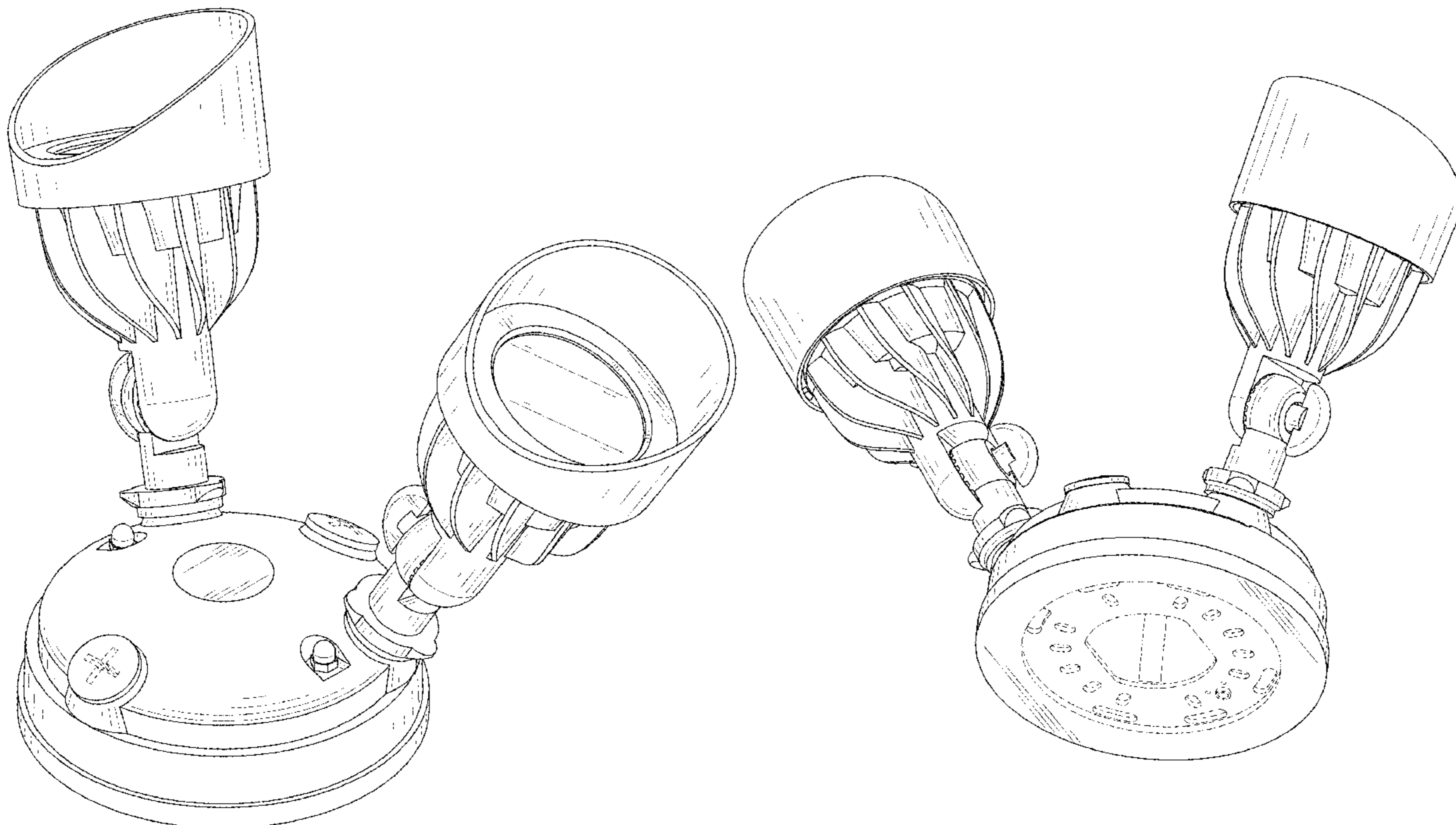
The ornamental design for a lamp, as shown and described.

**DESCRIPTION**

FIG. 1 is a front, top and right side perspective view of a lamp showing my new design;  
 FIG. 2 is a rear, bottom and left side perspective view thereof;  
 FIG. 3 is a front elevational view thereof;  
 FIG. 4 is a rear elevational view thereof;  
 FIG. 5 is a left side view thereof;  
 FIG. 6 is a right side view thereof;  
 FIG. 7 is a top plan view thereof; and,  
 FIG. 8 is a bottom plan view thereof.

The broken lines in the drawings illustrate portions of the lamp which form no part of the claimed design.  
 The oblique shade lines in the drawings represent reflective surfaces.

**1 Claim, 8 Drawing Sheets**



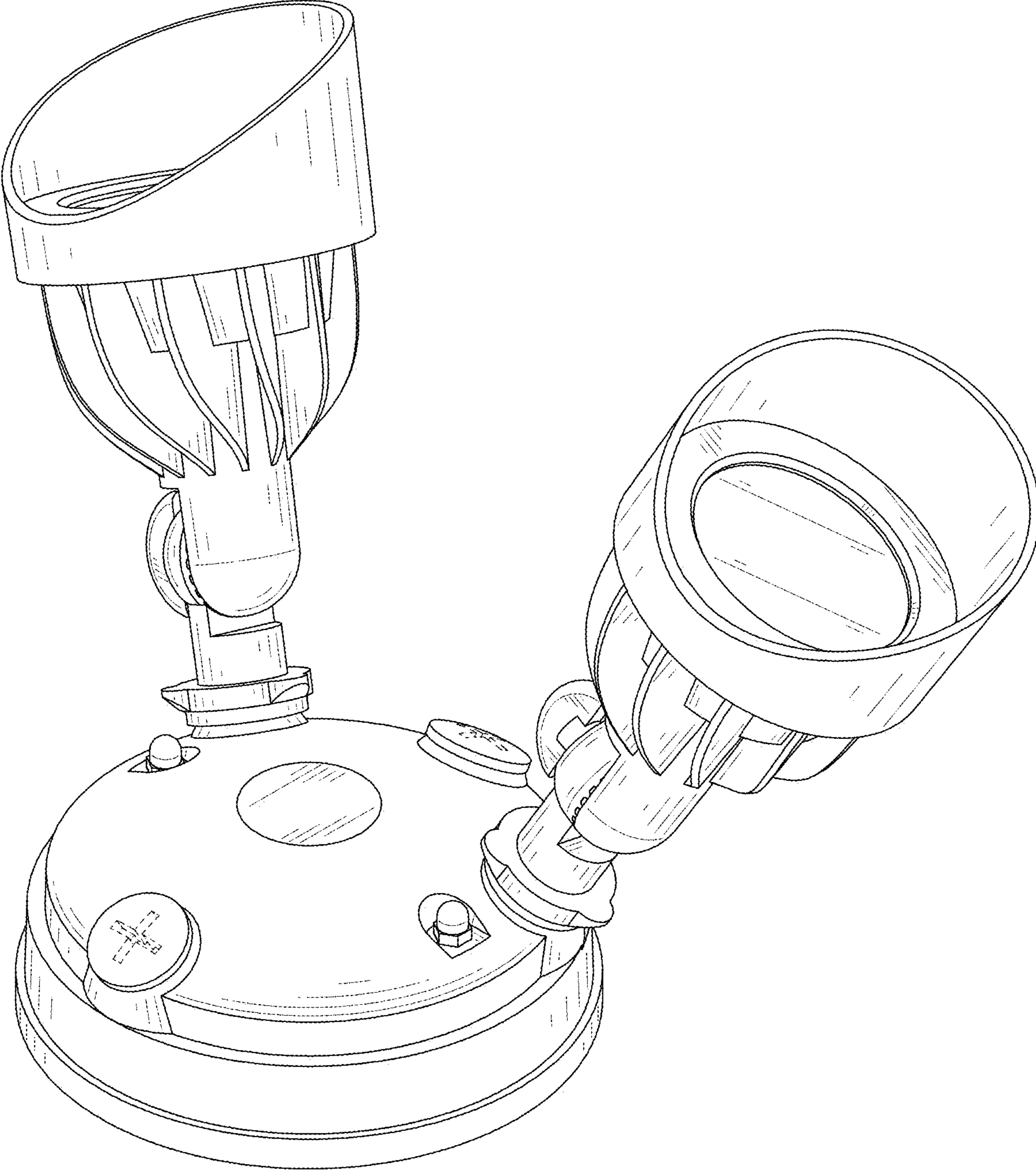


FIG. 1

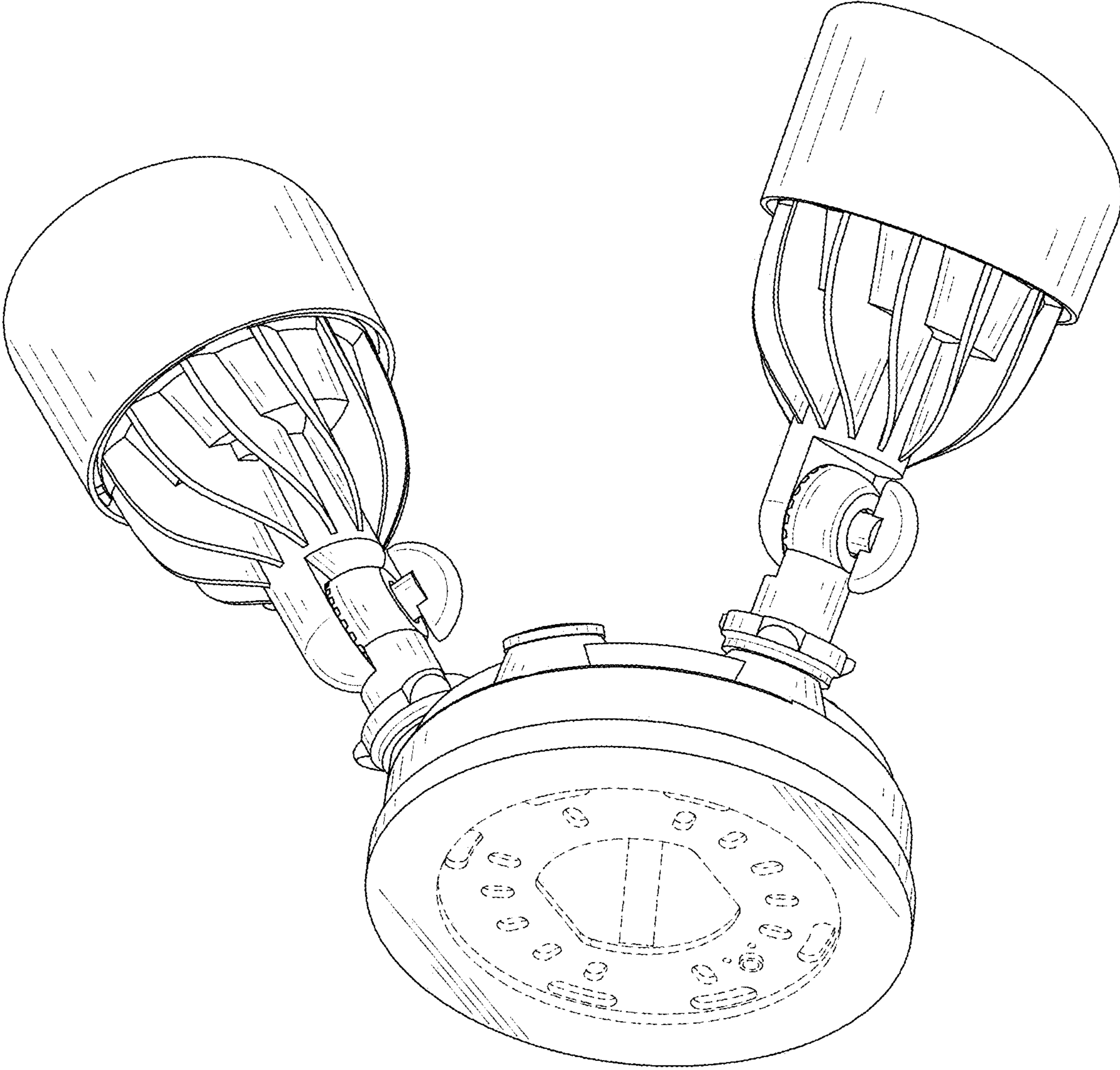


FIG. 2



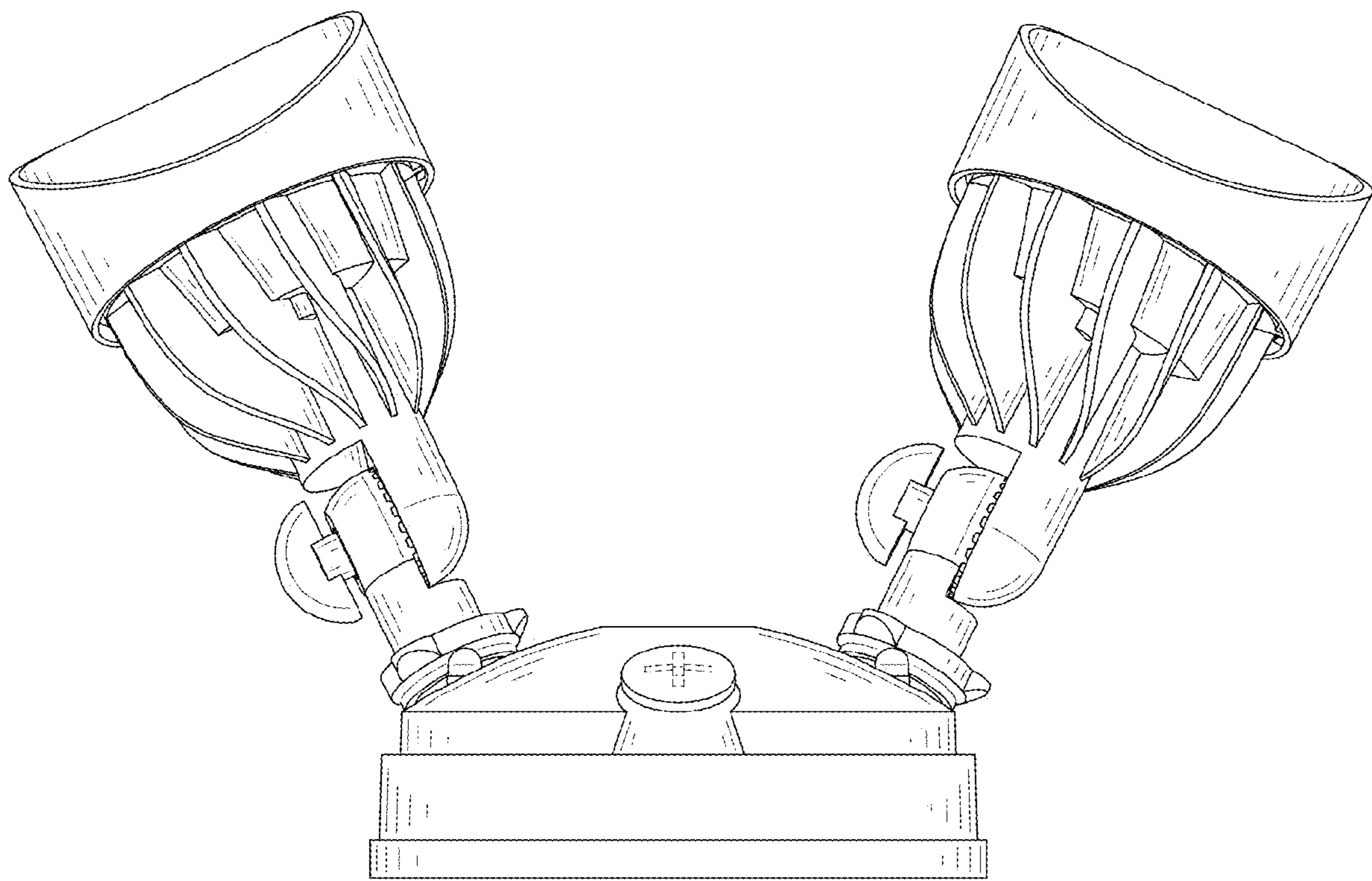


FIG. 3

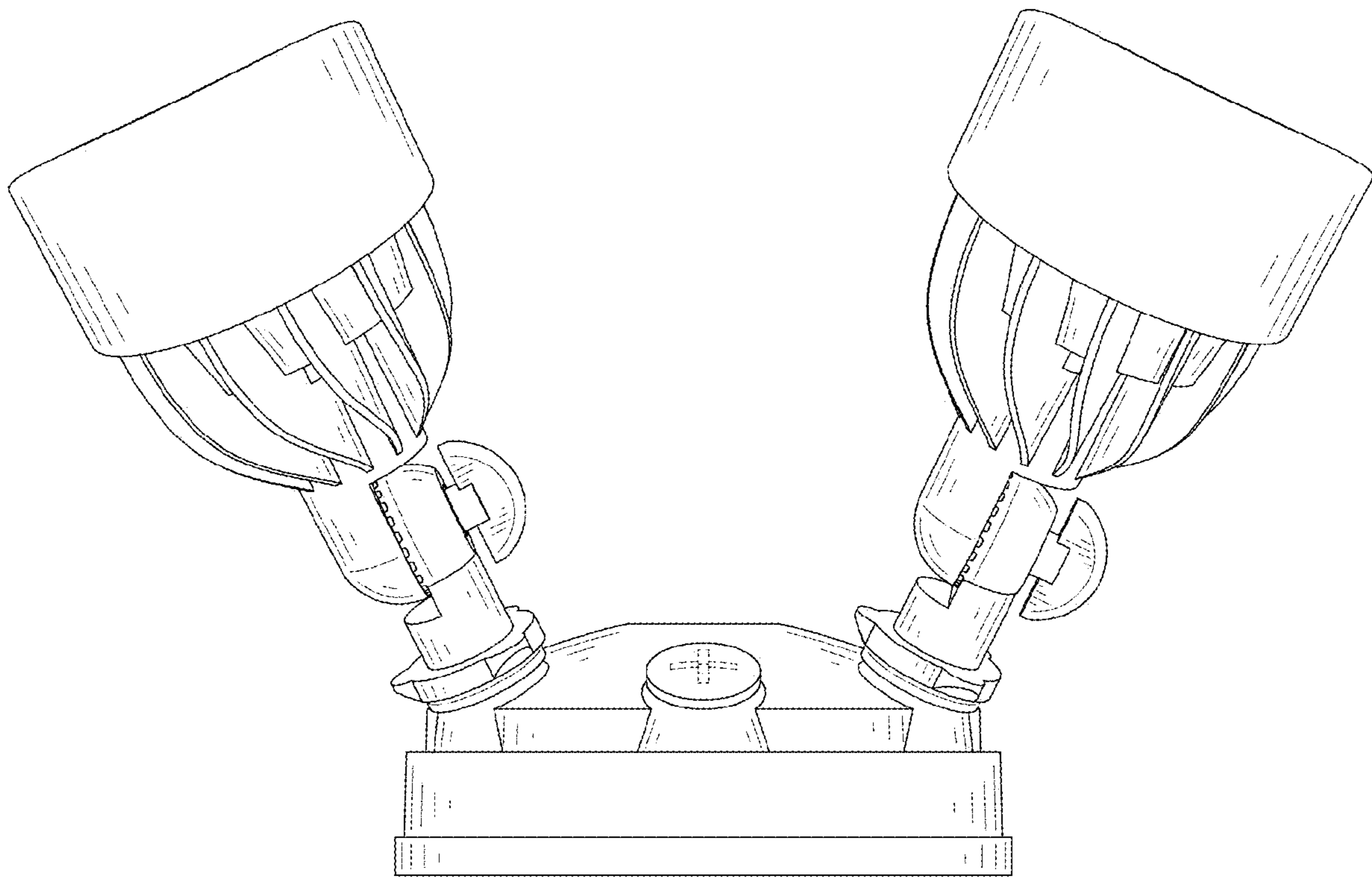


FIG. 4

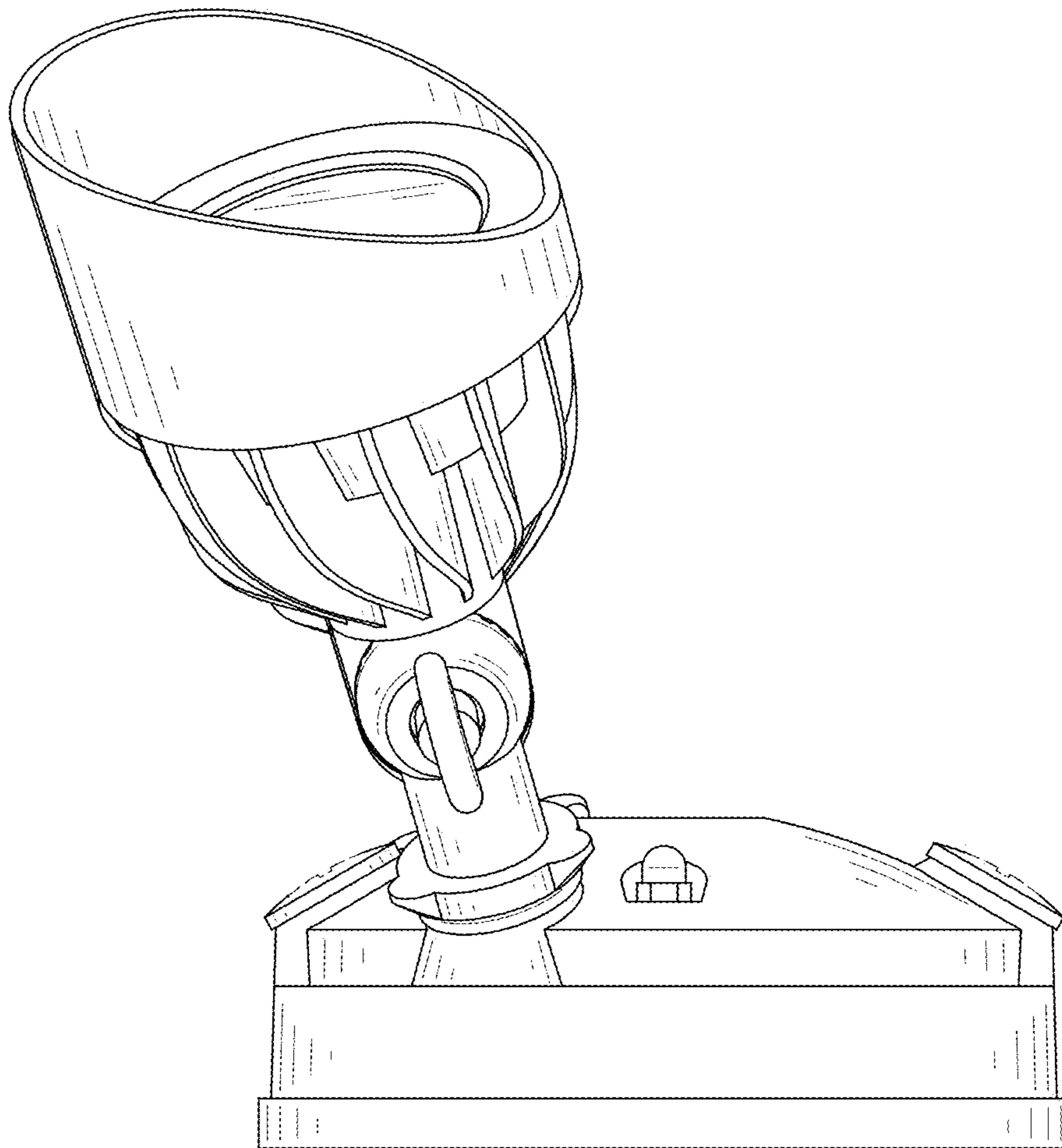


FIG. 5

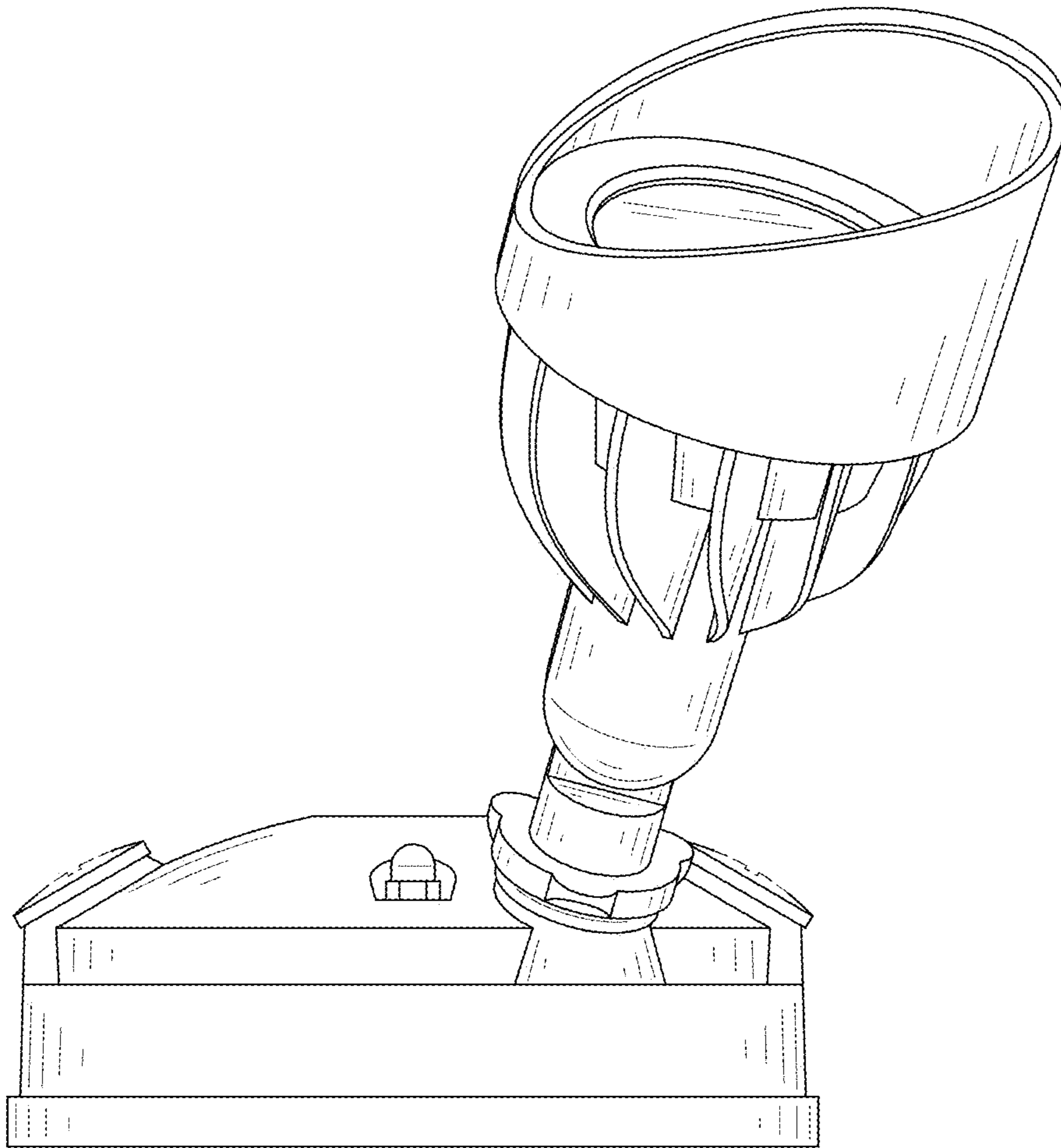


FIG. 6

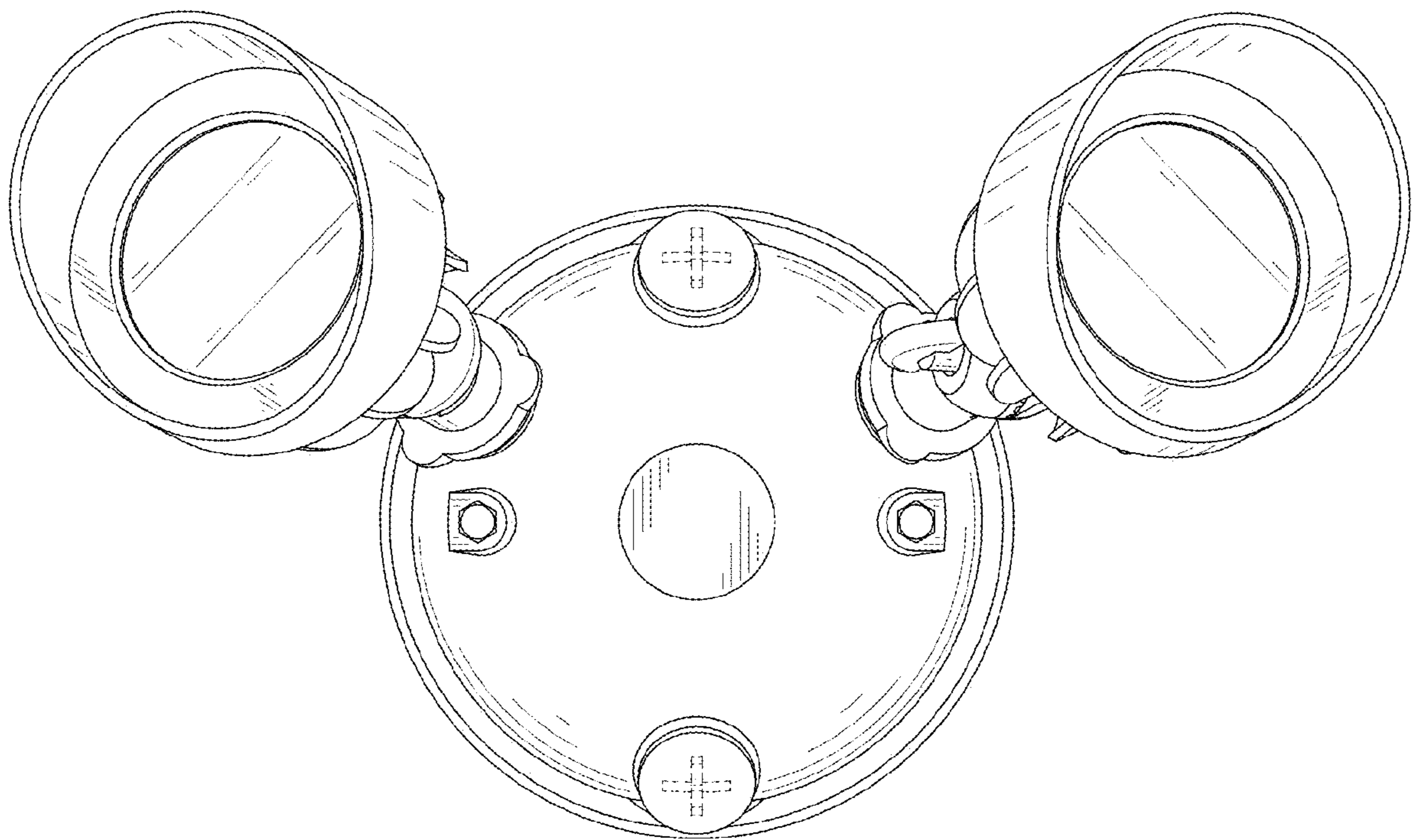


FIG. 7



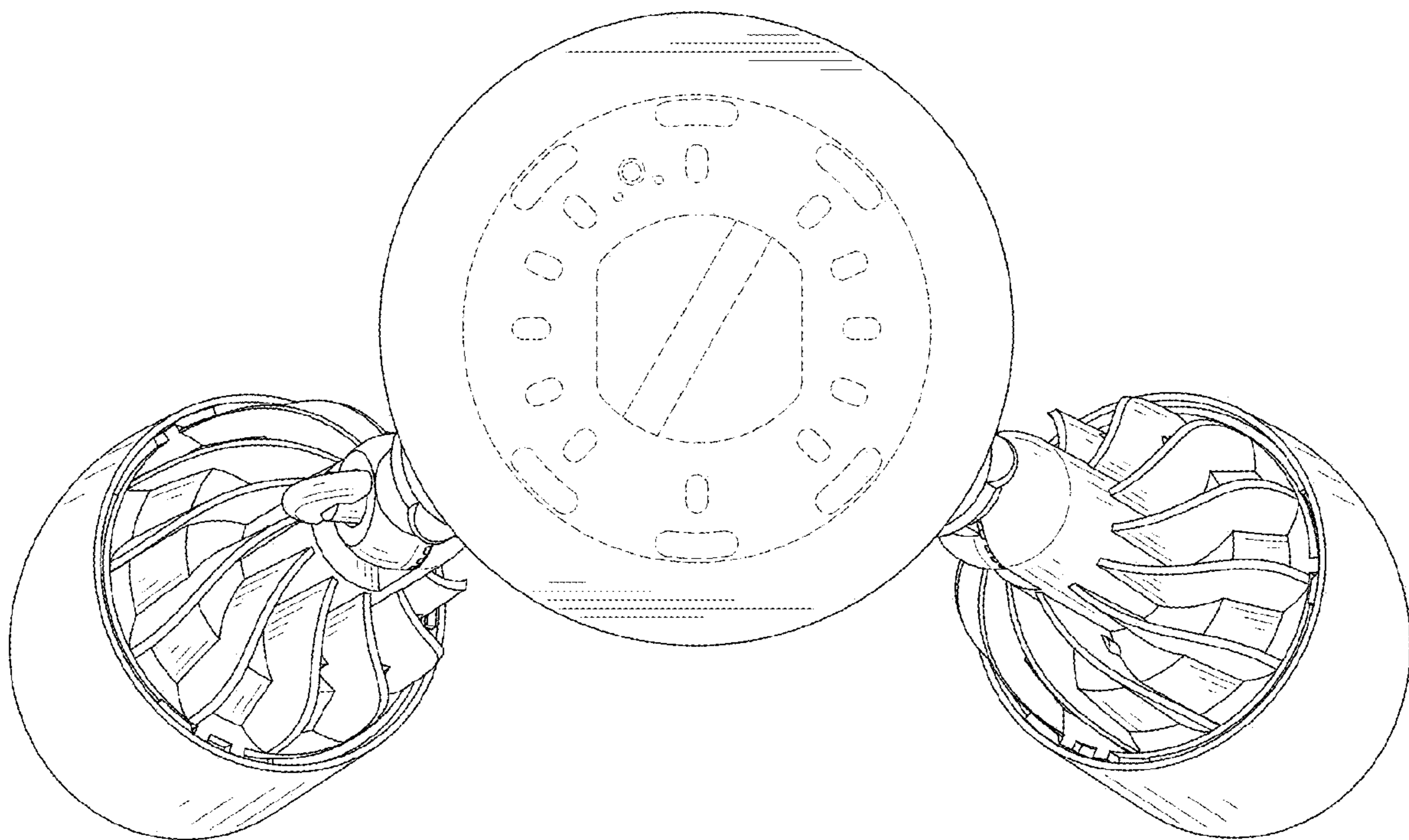


FIG. 8