



US00D889719S

(12) **United States Design Patent**
Kim et al.

(10) **Patent No.:** **US D889,719 S**

(45) **Date of Patent:** **** Jul. 7, 2020**

(54) **LIGHT EMITTING DIODE (LED) LAMP DEVICE**

(56) **References Cited**

(71) Applicant: **GIGATERA INC.**, Hwaseong-si (KR)

(72) Inventors: **Duk-Yong Kim**, Yongin-si (KR); **Hyun Ki Kim**, Hwaseong-si (KR); **Ki Seong Roh**, Hwaseong-si (KR); **Sang Cheol Lee**, Namyangju-si (KR)

(73) Assignee: **GIGATERA INC.**, Hwaseong-si (KR)

(**) Term: **15 Years**

(21) Appl. No.: **29/655,553**

(22) Filed: **Jul. 5, 2018**

(30) **Foreign Application Priority Data**

Jan. 5, 2018 (KR) 30-2018-0000992

(51) **LOC (12) Cl.** **26-03**

(52) **U.S. Cl.**
USPC **D26/63**

(58) **Field of Classification Search**
USPC D26/1, 24, 61, 63, 65, 85, 92, 118
CPC F21V 21/14; F21V 15/01; F21V 14/02;
F21V 21/30; F21V 21/00; F21V 14/00;
F21S 8/00; F21S 8/003; F21S 8/043;
F21Y 2105/001

See application file for complete search history.

U.S. PATENT DOCUMENTS

D591,883 S *	5/2009	Gill	D26/63
D596,777 S *	7/2009	Gordin	D26/63
D642,721 S *	8/2011	Li	D26/63
7,997,761 B2 *	8/2011	Peck	F21V 21/116 362/249.02
D734,532 S *	7/2015	Gordin	D26/118
D739,072 S *	9/2015	Adams	D26/118
D775,401 S *	12/2016	Sibitzky	D26/118
D854,720 S *	7/2019	Deng	D26/63
D858,840 S *	9/2019	Deng	D26/63

* cited by examiner

Primary Examiner — Brian N. Vinson

(57) **CLAIM**

We claim the ornamental design for a light emitting diode (LED) lamp device, as shown and described.

DESCRIPTION

FIG. 1 is a perspective view of a light emitting diode (LED) lamp device showing our new design; FIG. 2 is a front view thereof; FIG. 3 is a rear view thereof; FIG. 4 is a left-side view thereof; FIG. 5 is a right-side view thereof; FIG. 6 is a top view thereof; and, FIG. 7 is a bottom view thereof.

1 Claim, 7 Drawing Sheets

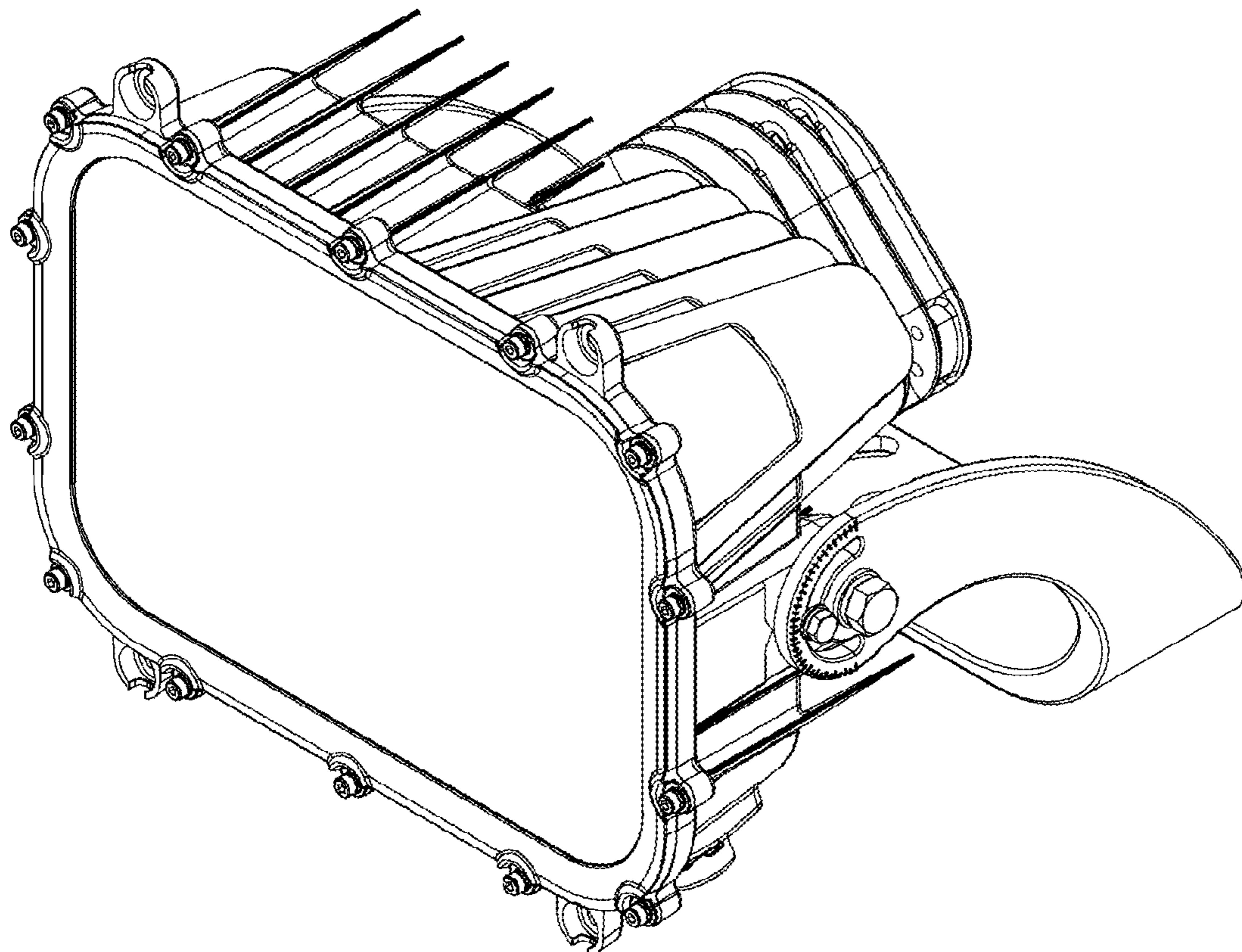


FIG. 1

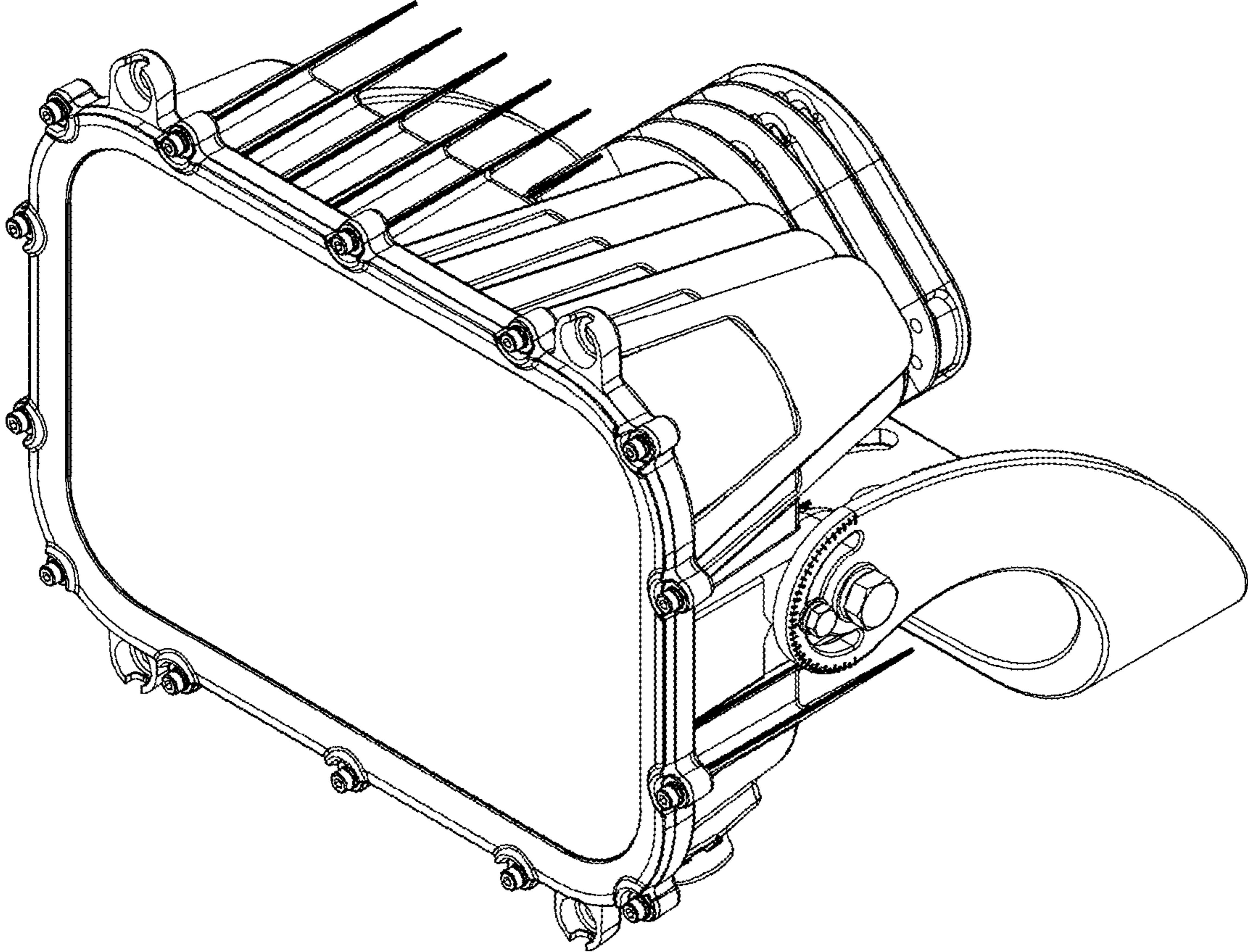


FIG. 2

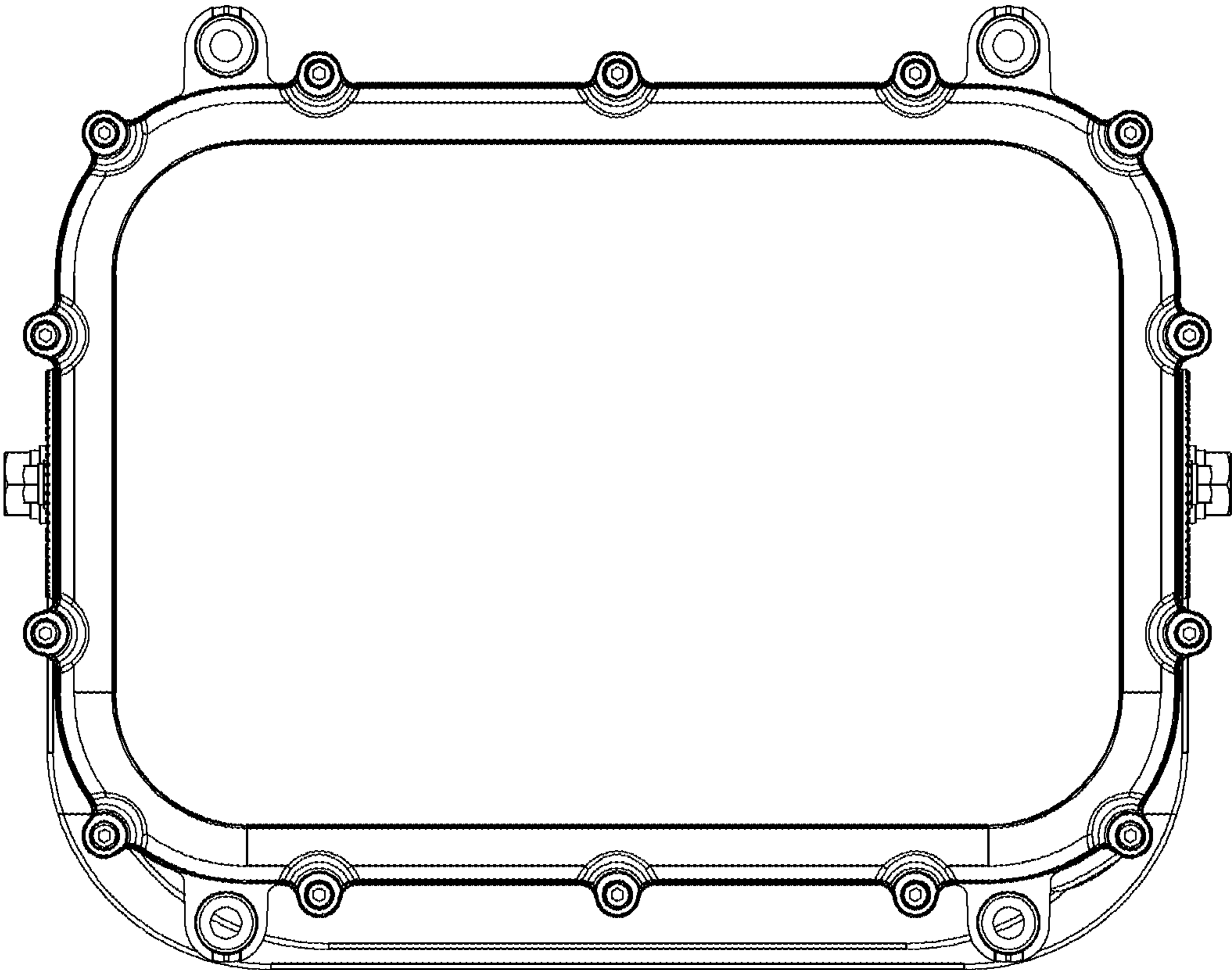


FIG. 3

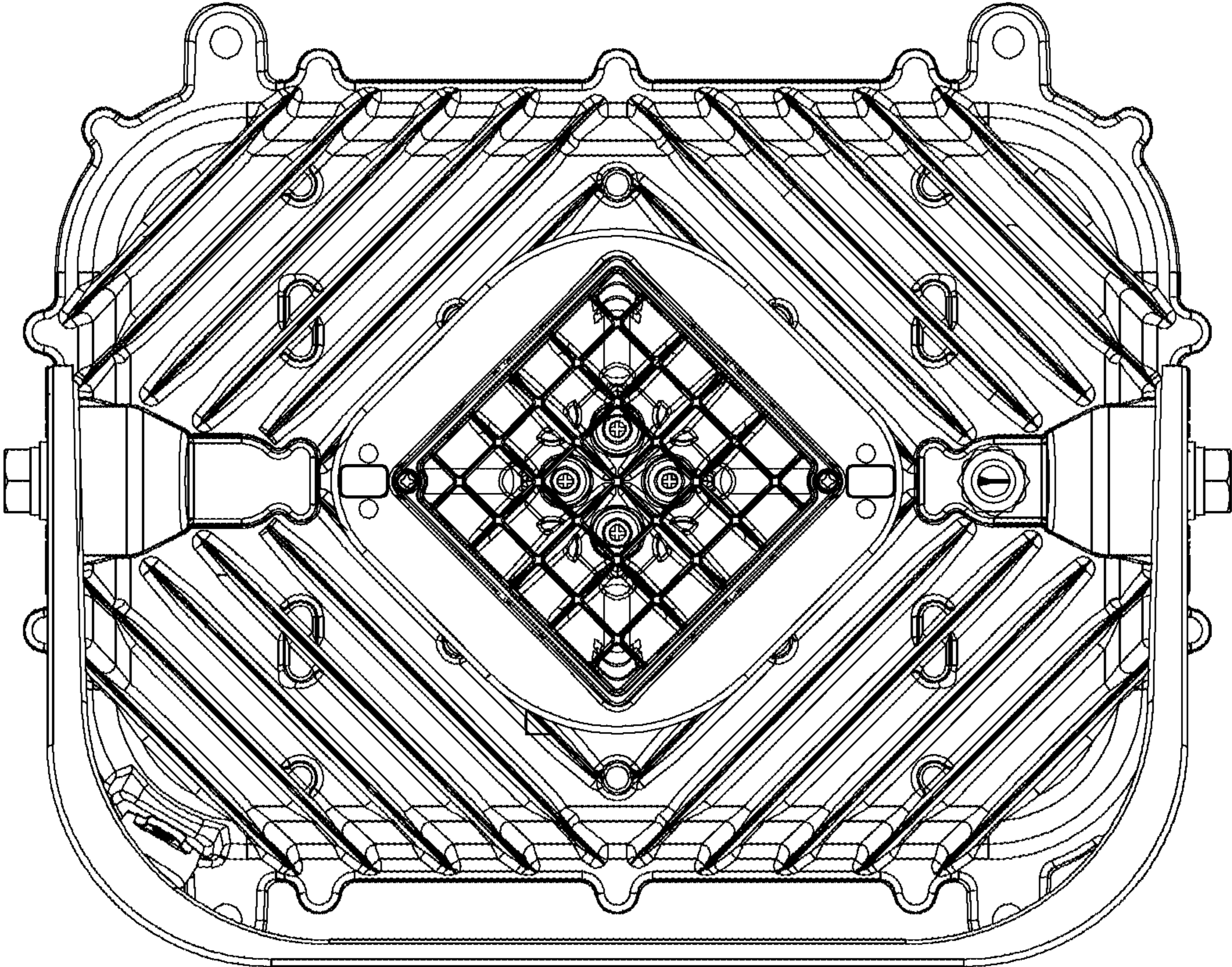


FIG. 4

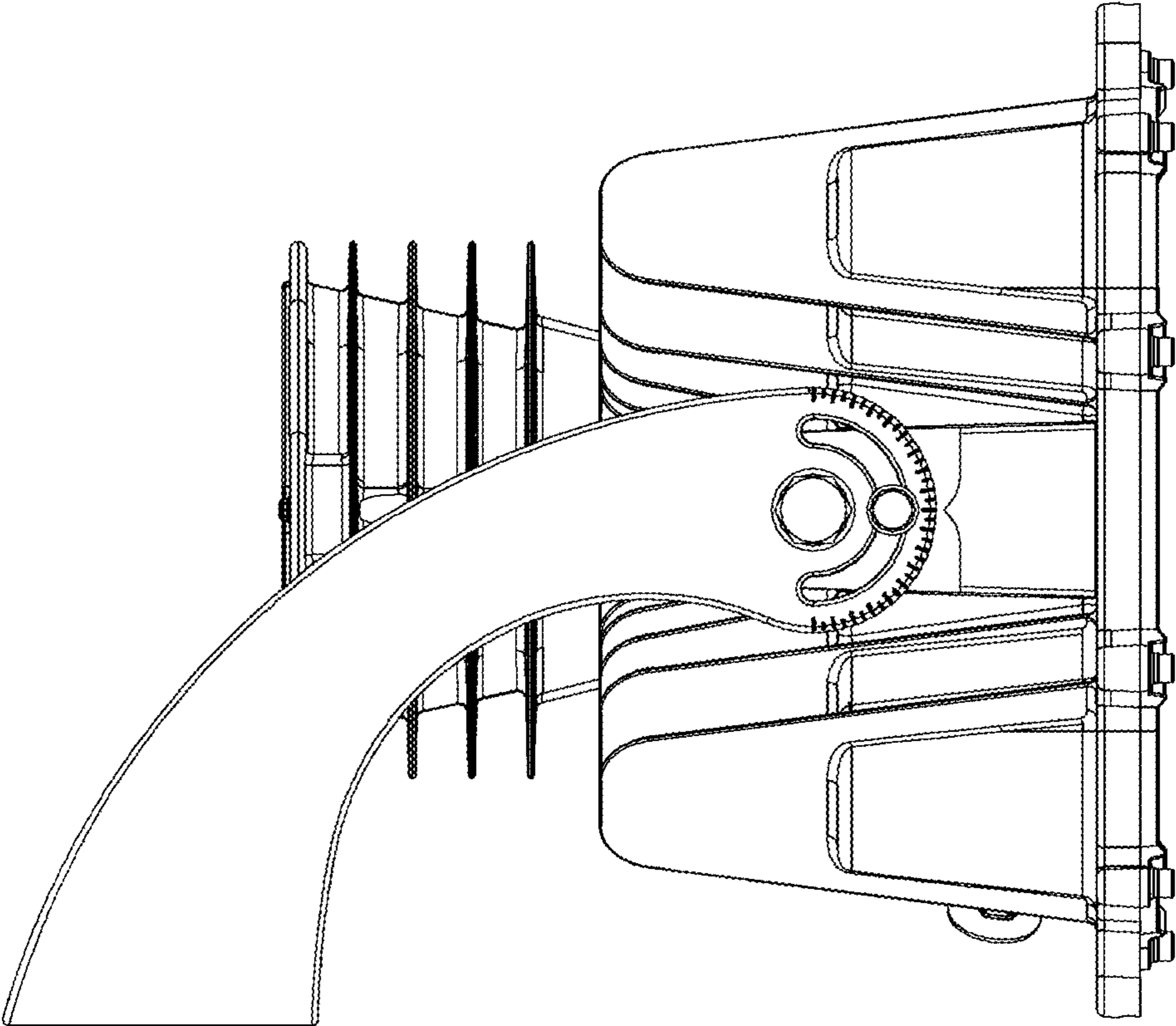


FIG. 5

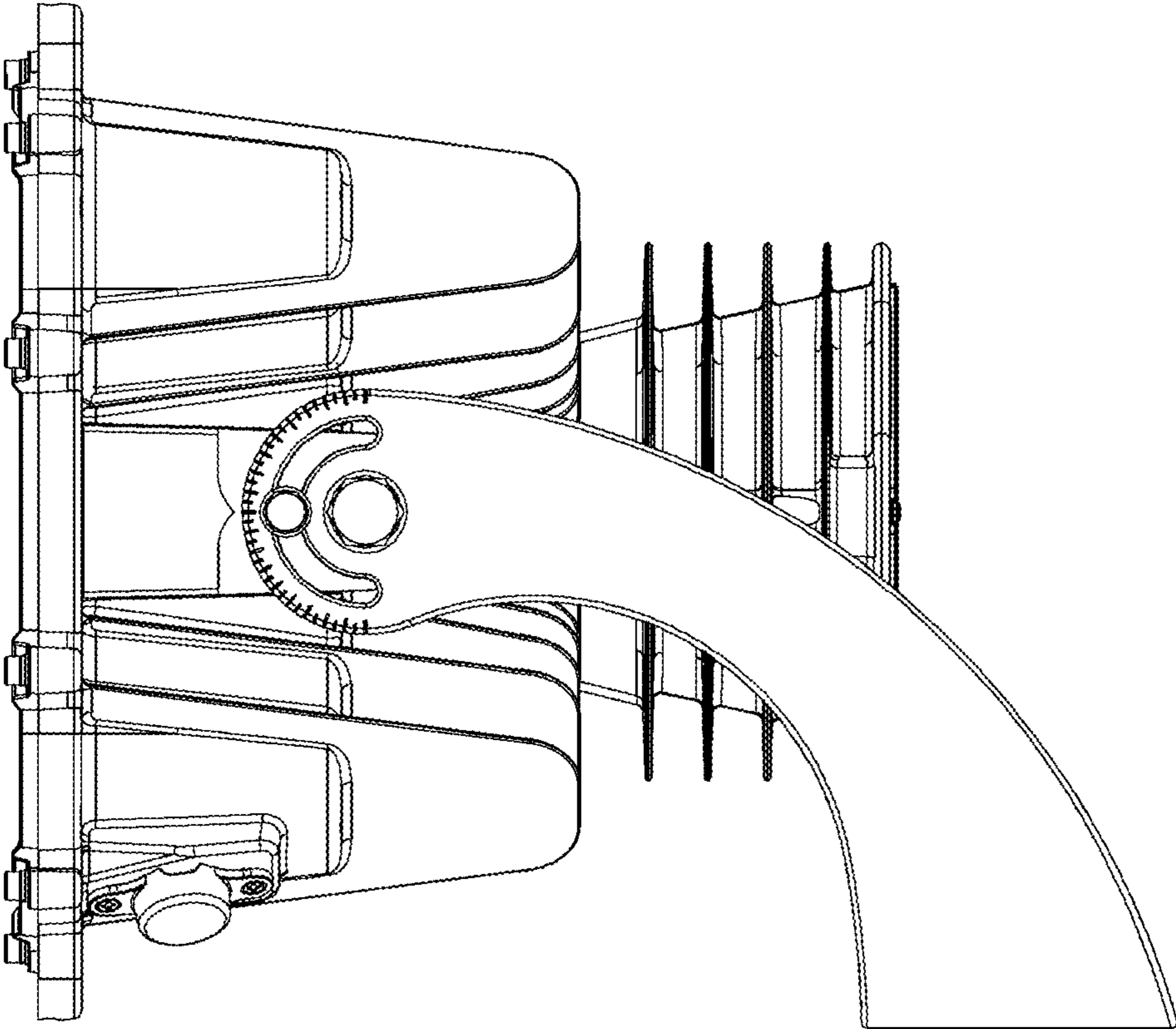


FIG. 6

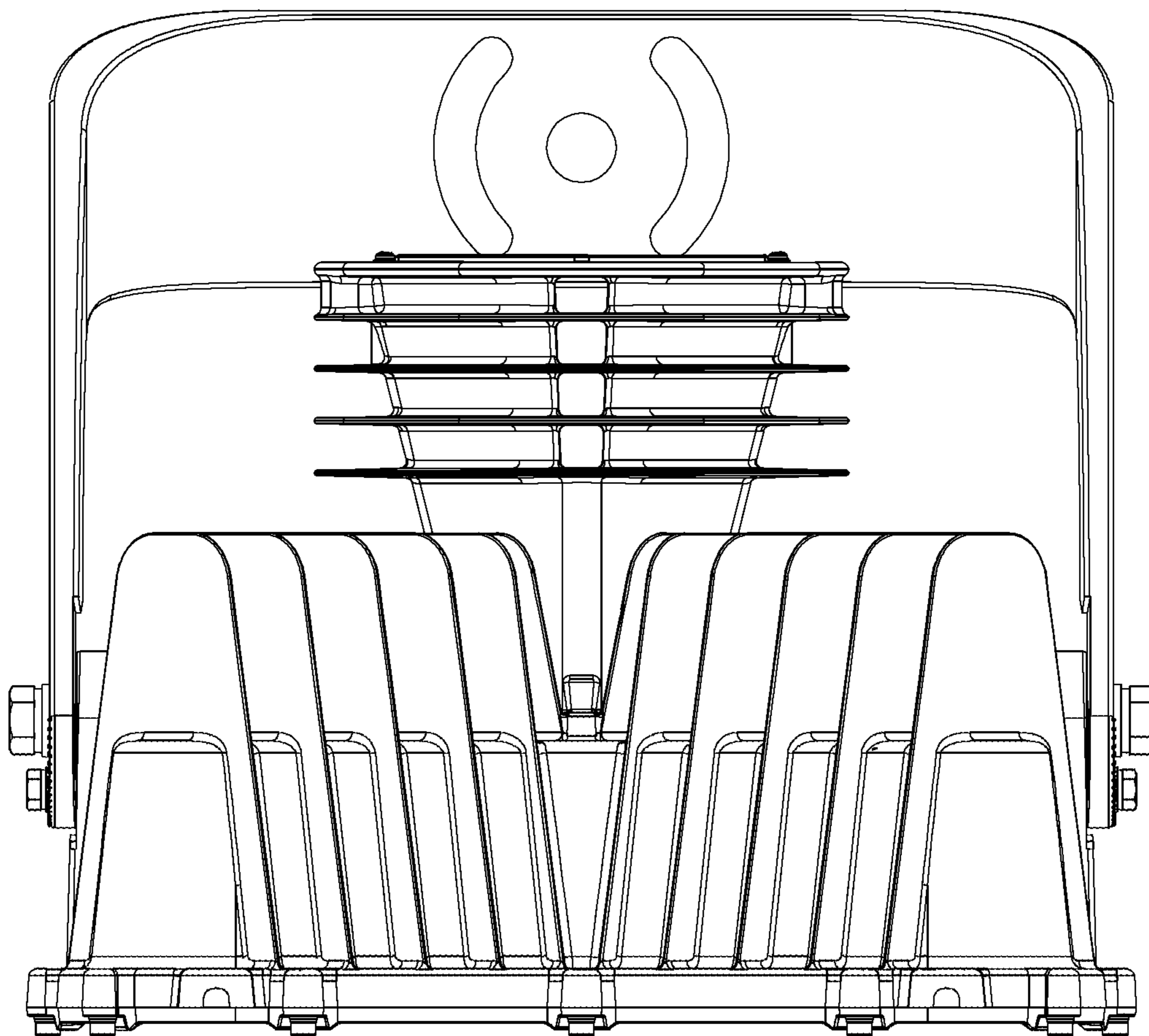


FIG. 7

