



US00D889716S

(12) **United States Design Patent**  
**Nathan**

(10) **Patent No.:** **US D889,716 S**

(45) **Date of Patent:** **\*\* Jul. 7, 2020**

(54) **LIGHT BAR**

(71) Applicant: **Violet Defense Technology, Inc.**,  
Celebration, FL (US)

(72) Inventor: **Mark Nathan**, Harmony, FL (US)

(73) Assignee: **Violet Defense Technology, Inc.**,  
Orlando, FL (US)

(\*\*) Term: **15 Years**

(21) Appl. No.: **29/653,562**

(22) Filed: **Jun. 15, 2018**

(51) **LOC (12) Cl.** ..... **26-03**

(52) **U.S. Cl.**  
USPC ..... **D26/63**

(58) **Field of Classification Search**  
USPC ..... D26/1, 24, 61, 63, 65, 85, 92, 118  
CPC ..... F21V 21/14; F21V 21/00; F21V 14/00;  
F21V 15/01; F21V 14/02; F21V 21/30;  
F21S 8/00; F21S 8/003; F21S 8/043;  
F21Y 2105/001

See application file for complete search history.

(56) **References Cited**

**U.S. PATENT DOCUMENTS**

D581,569 S \* 11/2008 Levine ..... D26/61  
D706,478 S \* 6/2014 Yuen ..... D26/63

D757,975 S \* 5/2016 Lo Chun Tung ..... D26/63  
D785,217 S \* 4/2017 Engebrigtsen ..... D26/63  
D821,011 S \* 6/2018 Yan ..... D26/63  
D836,231 S \* 12/2018 Swai ..... D26/63

\* cited by examiner

*Primary Examiner* — Brian N. Vinson

(74) *Attorney, Agent, or Firm* — Foley & Lardner LLP

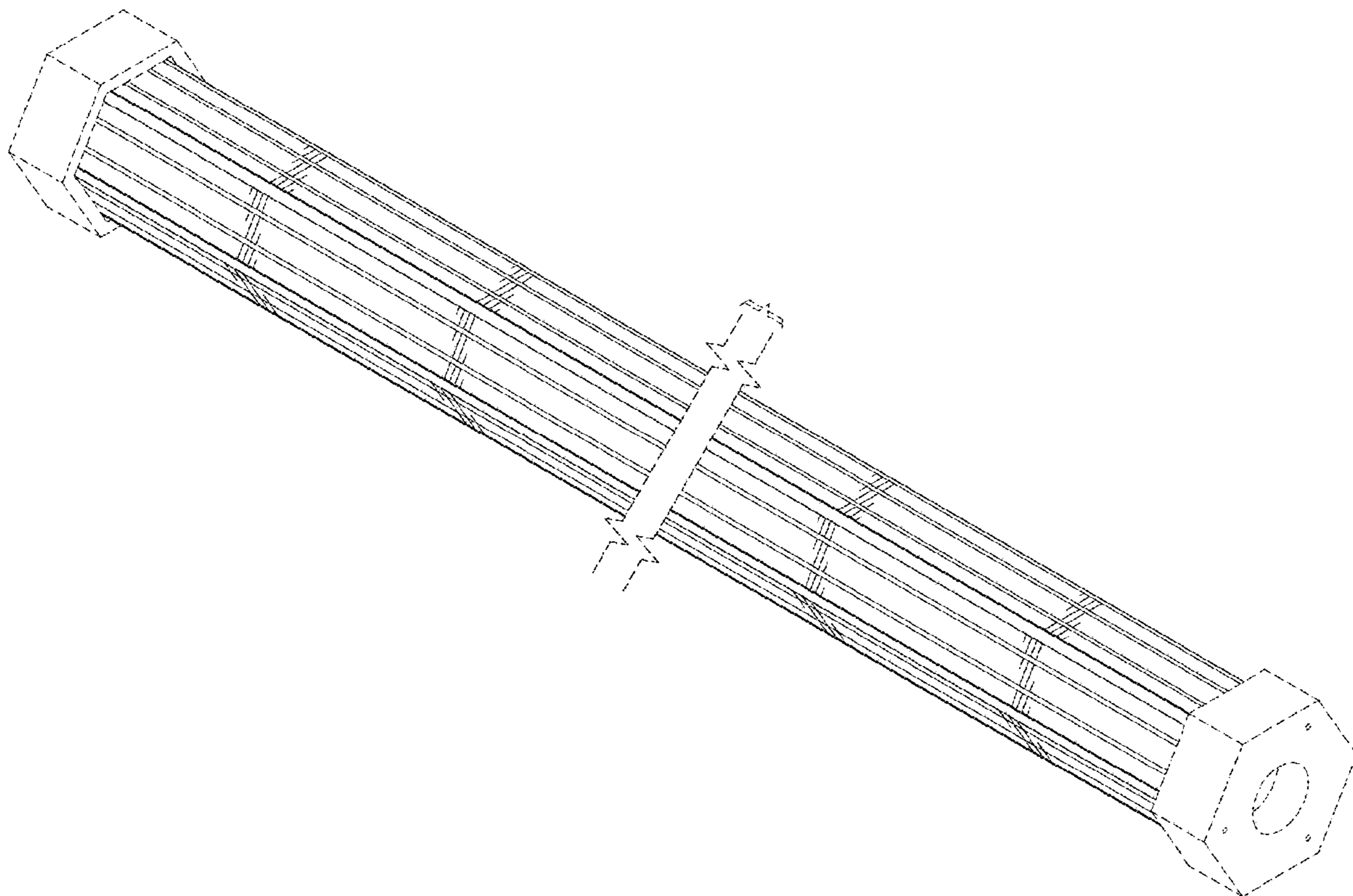
(57) **CLAIM**

The ornamental design for a light bar, as shown and described.

**DESCRIPTION**

FIG. 1 is a front perspective view of a light bar.  
FIG. 2 is a front elevation view of a light bar.  
FIG. 3 is a back elevation view of the light bar.  
FIG. 4 is a right side elevation view of the light bar.  
FIG. 5 is a left side elevation view of the light bar.  
FIG. 6 is a top perspective view of the light bar.  
FIG. 7 is a bottom perspective view of the light bar; and,  
FIG. 8 is a section view taken along the line 8-8 of FIG. 2.  
The broken line disclosure forms no part of the claimed design, the broken line break line represent unclaimed boundaries between claimed and unclaimed surfaces, and the areas between the break lines form no part of the claimed design.

**1 Claim, 4 Drawing Sheets**



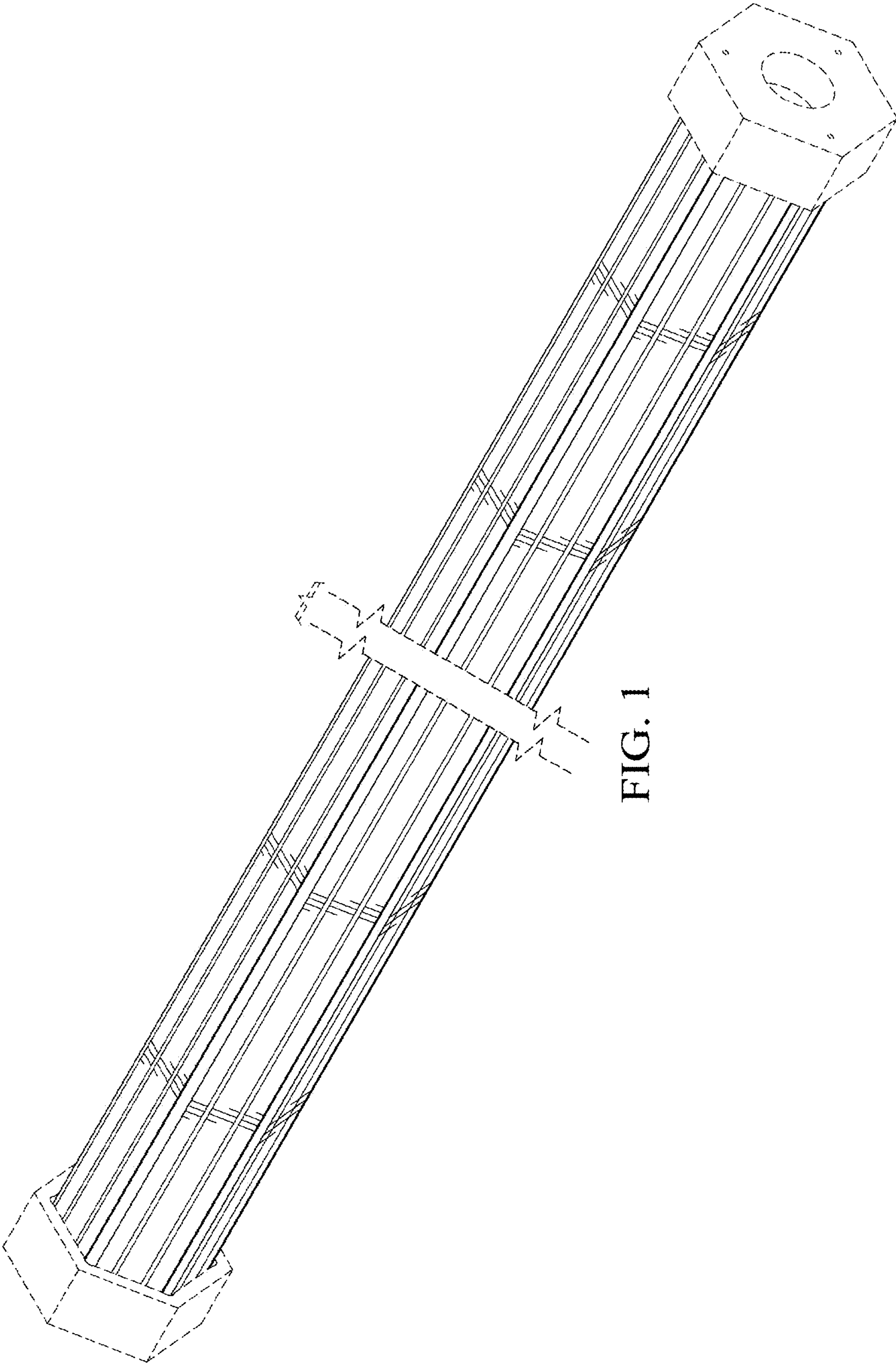


FIG. 1

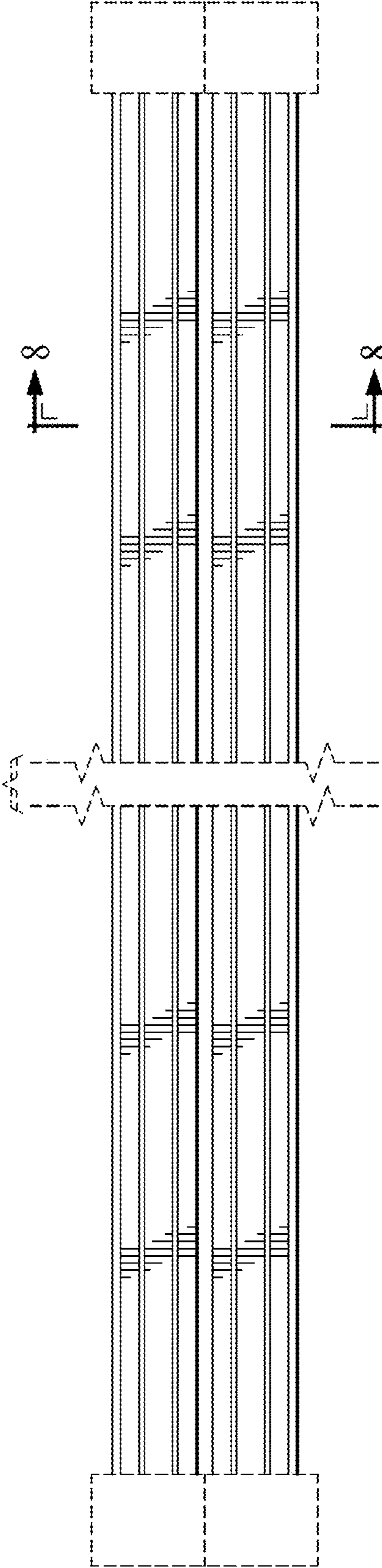


FIG. 2

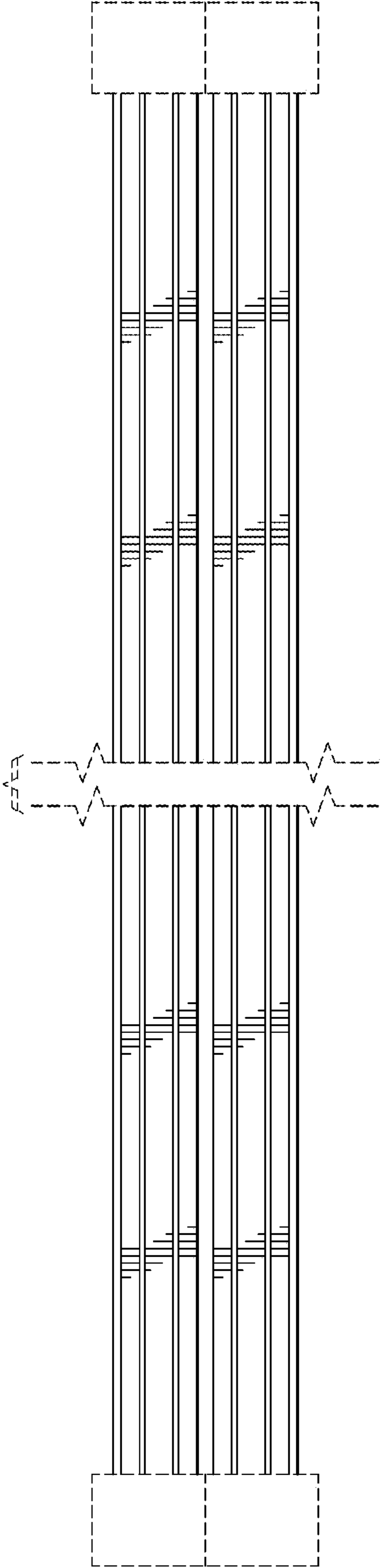


FIG. 3

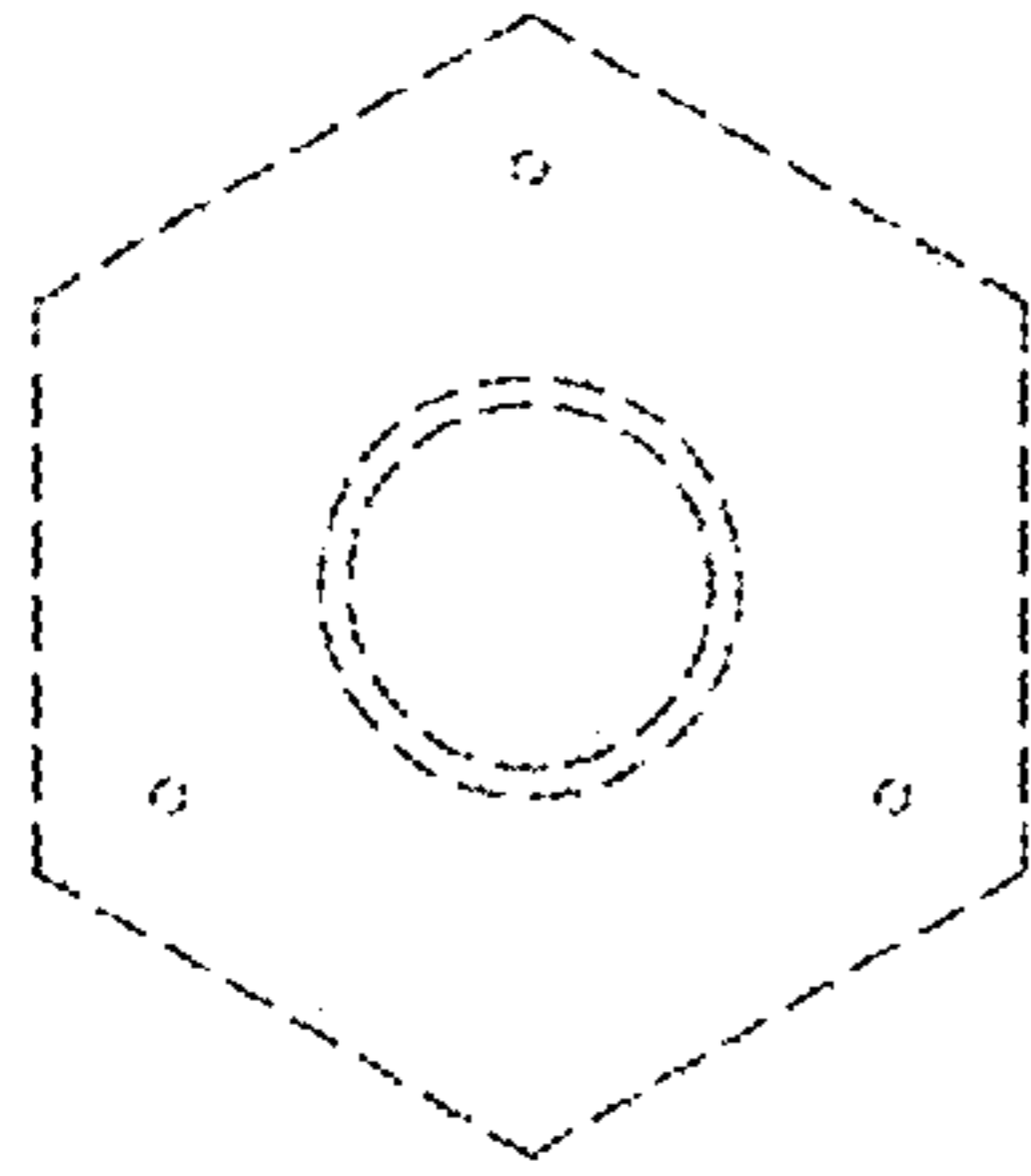


FIG. 5

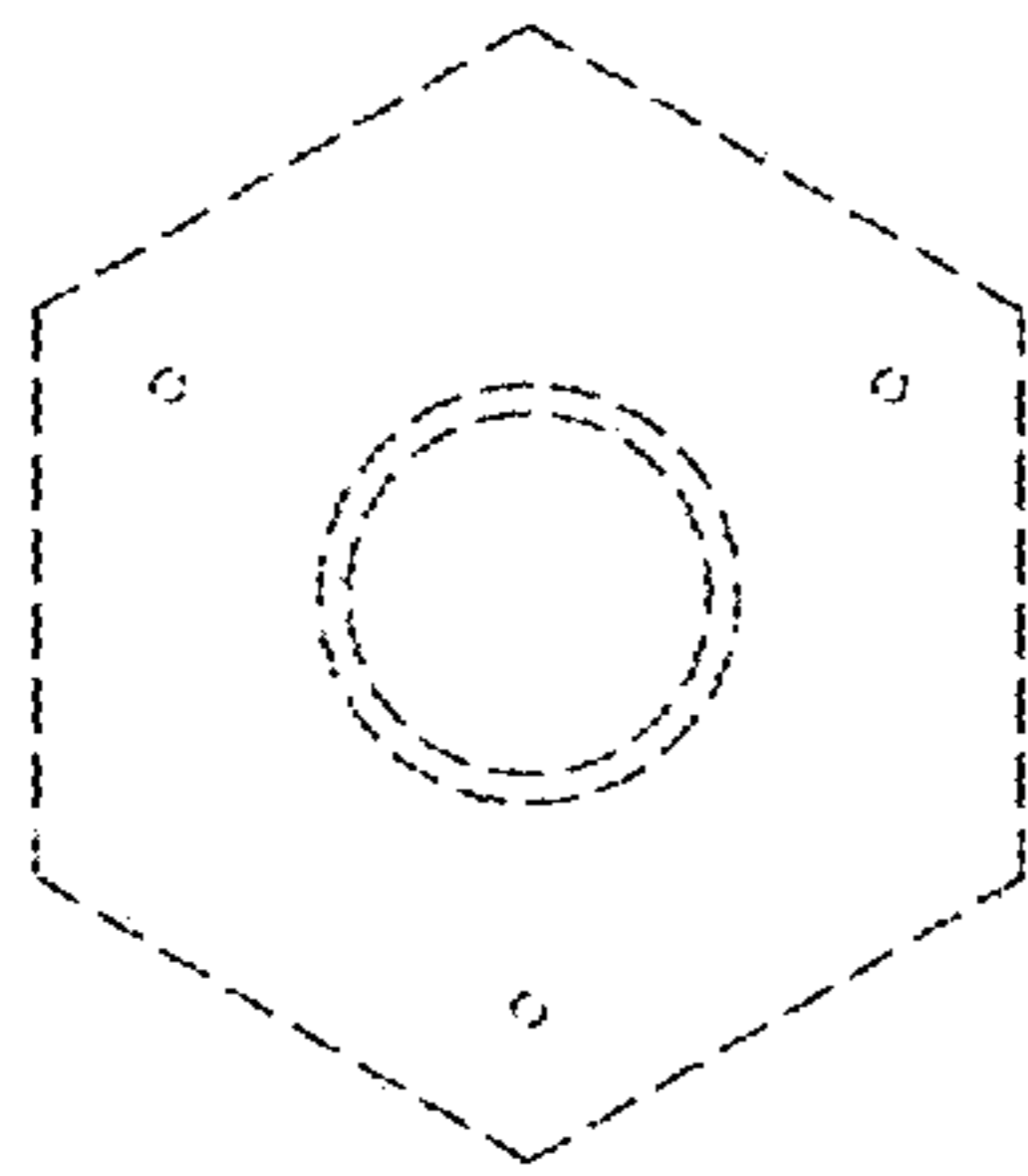


FIG. 4

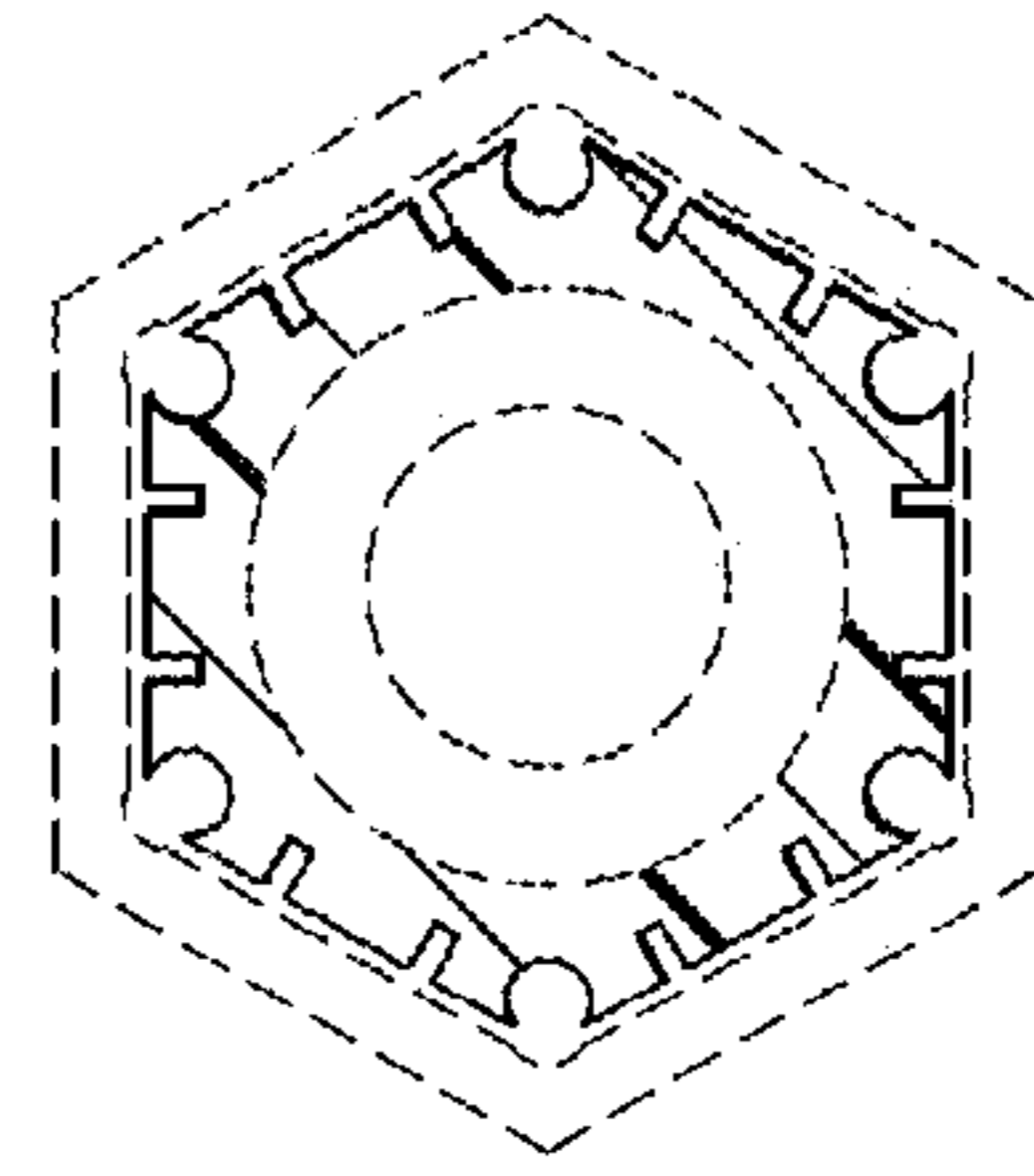


FIG. 8

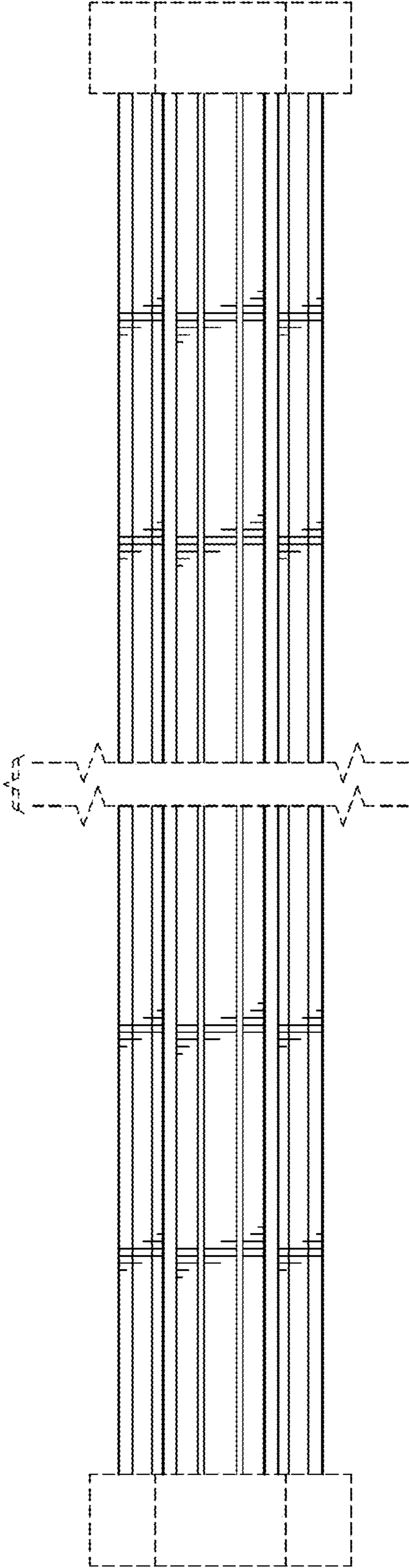


FIG. 6

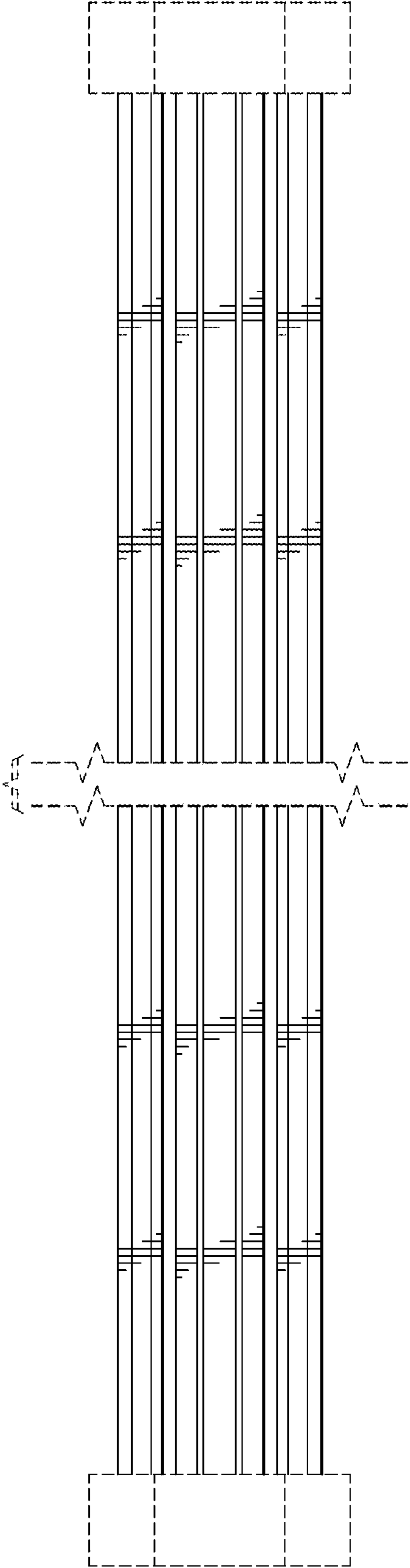


FIG. 7