



US00D889715S

(12) **United States Design Patent**
Nguyen

(10) **Patent No.:** **US D889,715 S**
(45) **Date of Patent:** **** Jul. 7, 2020**

(54) **LIGHTING DEVICE**

(71) Applicant: **SureFire, LLC**, Fountain Valley, CA (US)

(72) Inventor: **Loc Nguyen**, Santa Ana, CA (US)

(73) Assignee: **SureFire, LLC**, Fountain Valley, CA (US)

(**) Term: **15 Years**

(21) Appl. No.: **29/637,654**

(22) Filed: **Feb. 20, 2018**

(51) **LOC (12) Cl.** **26-02**

(52) **U.S. Cl.**
USPC **D26/46**

(58) **Field of Classification Search**
USPC D26/37-51
CPC F21L 2003/00; F21L 4/00; F21L 4/005;
F21L 4/02; F21L 4/025; F21L 4/027;
F21L 4/04; F21L 4/08; F21L 2005/00;
F21L 7/00; F21L 11/00; F21L 13/00;
F21L 13/04; F21L 13/08; F21L 14/02;
F21L 17/00; F21L 19/00; F21L 25/00
See application file for complete search history.

(56) **References Cited**

U.S. PATENT DOCUMENTS

D491,301 S *	6/2004	Chen	D26/37
D557,841 S *	12/2007	Lee	D26/37
D565,215 S *	3/2008	Lee	D26/37
D600,148 S *	9/2009	Disch	D10/78
D670,581 S *	11/2012	Matuschek	D10/70
D765,899 S *	9/2016	Hine	D26/49
D790,546 S *	6/2017	Zhou	D14/426

D805,666 S *	12/2017	Nguyen	D26/37
D806,294 S *	12/2017	Nguyen	D26/37
D836,639 S *	12/2018	Volta	D14/431
D837,428 S *	1/2019	Arena	D26/44
D838,395 S *	1/2019	Nguyen	D26/46
2005/0237736 A1 *	10/2005	Wimsatt	A44B 15/005 362/196
2011/0098781 A1 *	4/2011	Mantle	A61N 1/36021 607/46
2016/0018071 A1 *	1/2016	Sharrah	F21L 4/025 362/184

* cited by examiner

Primary Examiner — Brandon M Rosati

Assistant Examiner — Carissa C Fitts

(74) *Attorney, Agent, or Firm* — Haynes and Boone, LLP

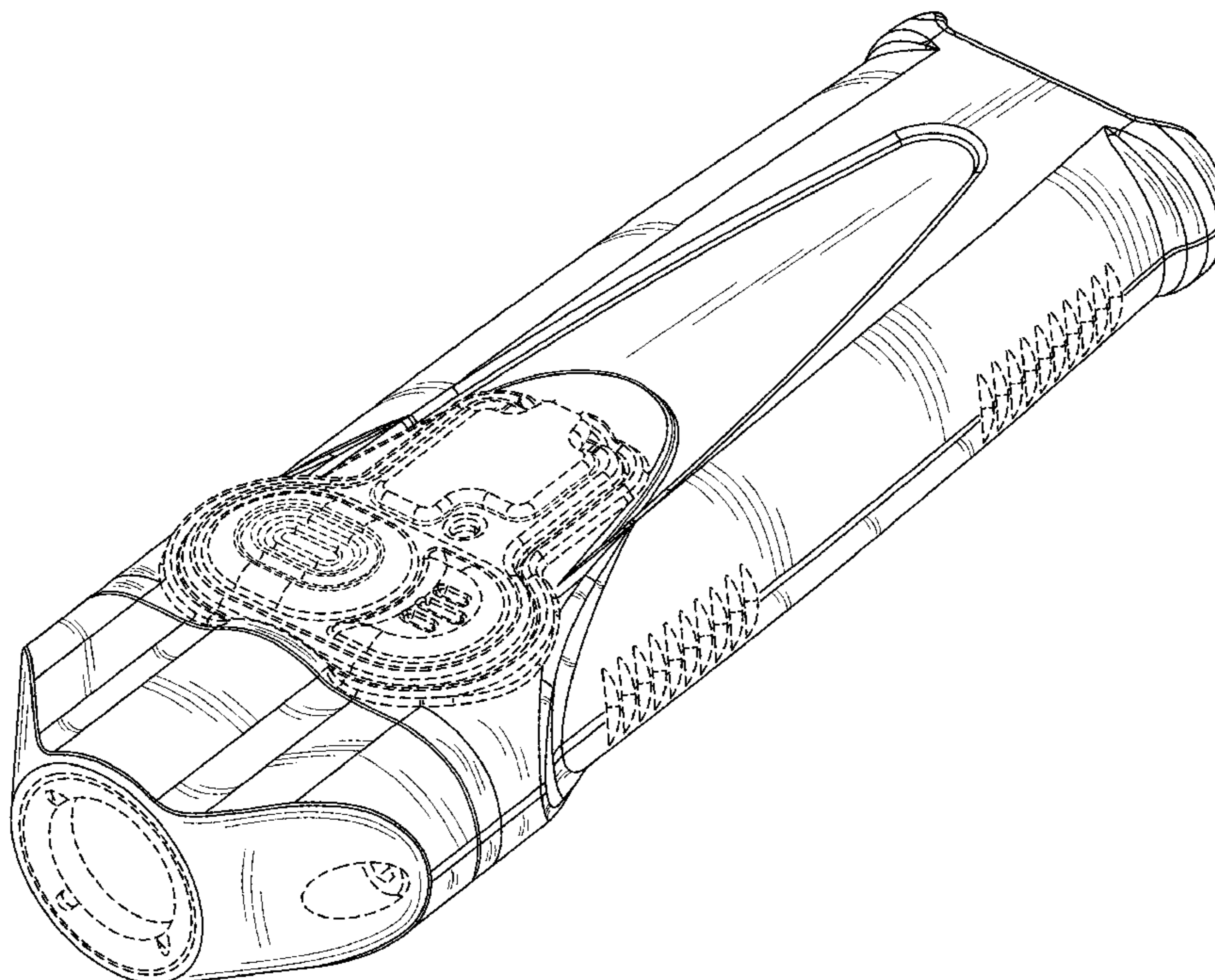
(57) **CLAIM**

The ornamental design for a lighting device, as shown and described.

DESCRIPTION

FIG. 1 is a front, left, and top perspective view of a lighting device showing my new design;
FIG. 2 is a rear, right, and bottom perspective view thereof;
FIG. 3 is a top plan view thereof;
FIG. 4 is a bottom plan view thereof;
FIG. 5 is a right side view thereof;
FIG. 6 is a left side view thereof;
FIG. 7 is a front side elevational view thereof; and
FIG. 8 is a rear side elevational view thereof; and,
FIG. 9 is a rear, right, and bottom perspective view of the lighting device having a clip secured thereto.
The broken lines show portions of the article which form no part of the claimed design.

1 Claim, 9 Drawing Sheets



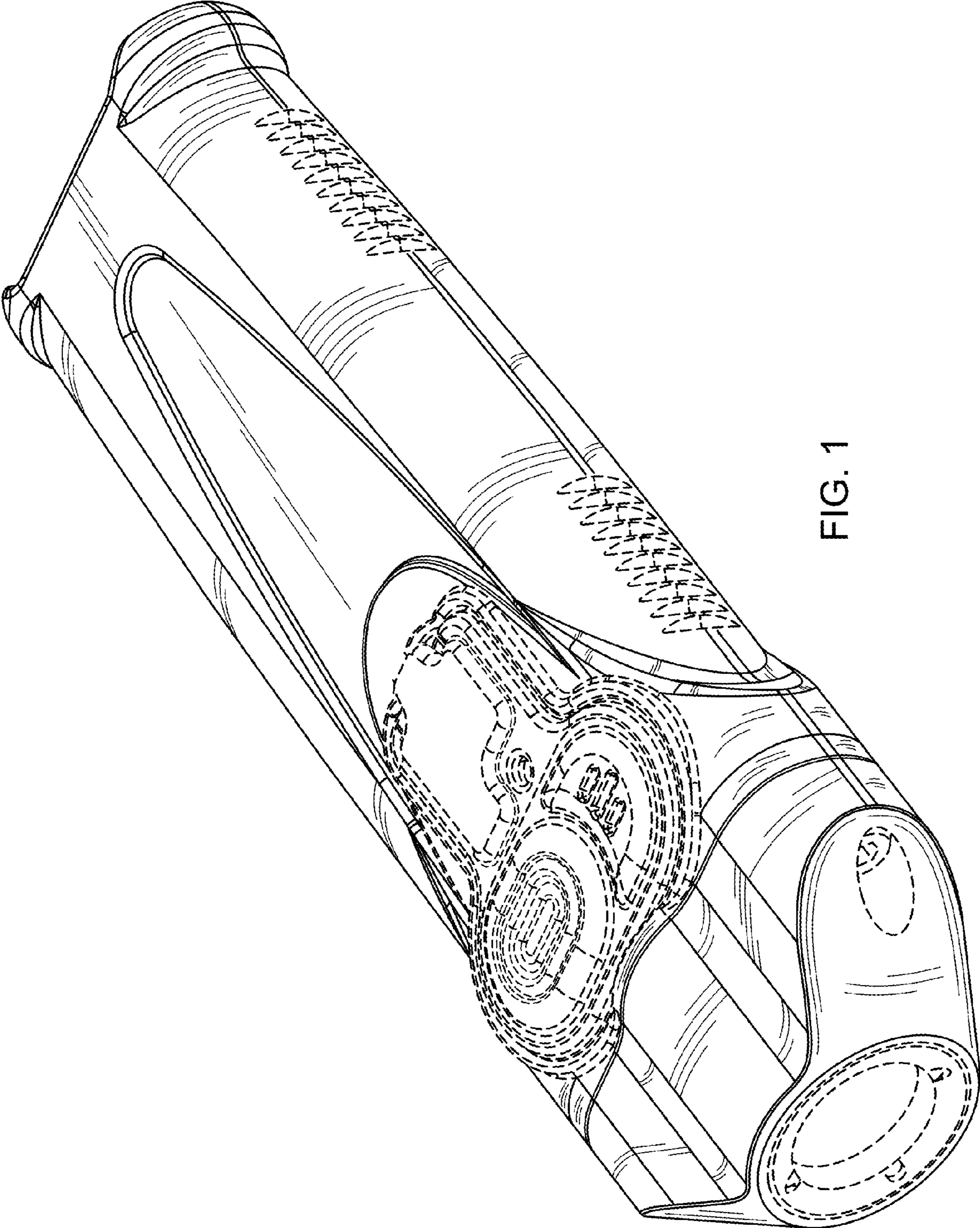


FIG. 1

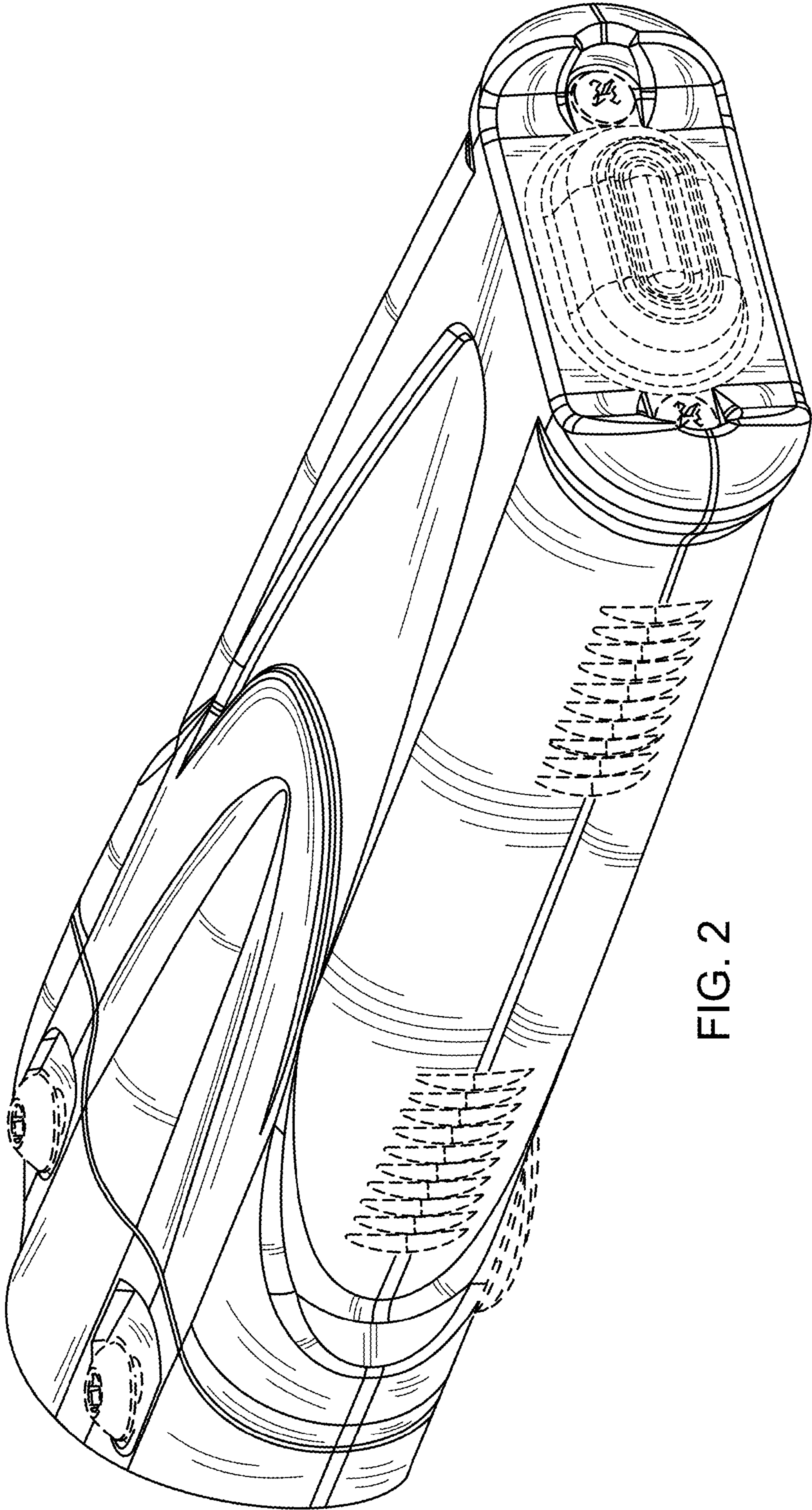


FIG. 2

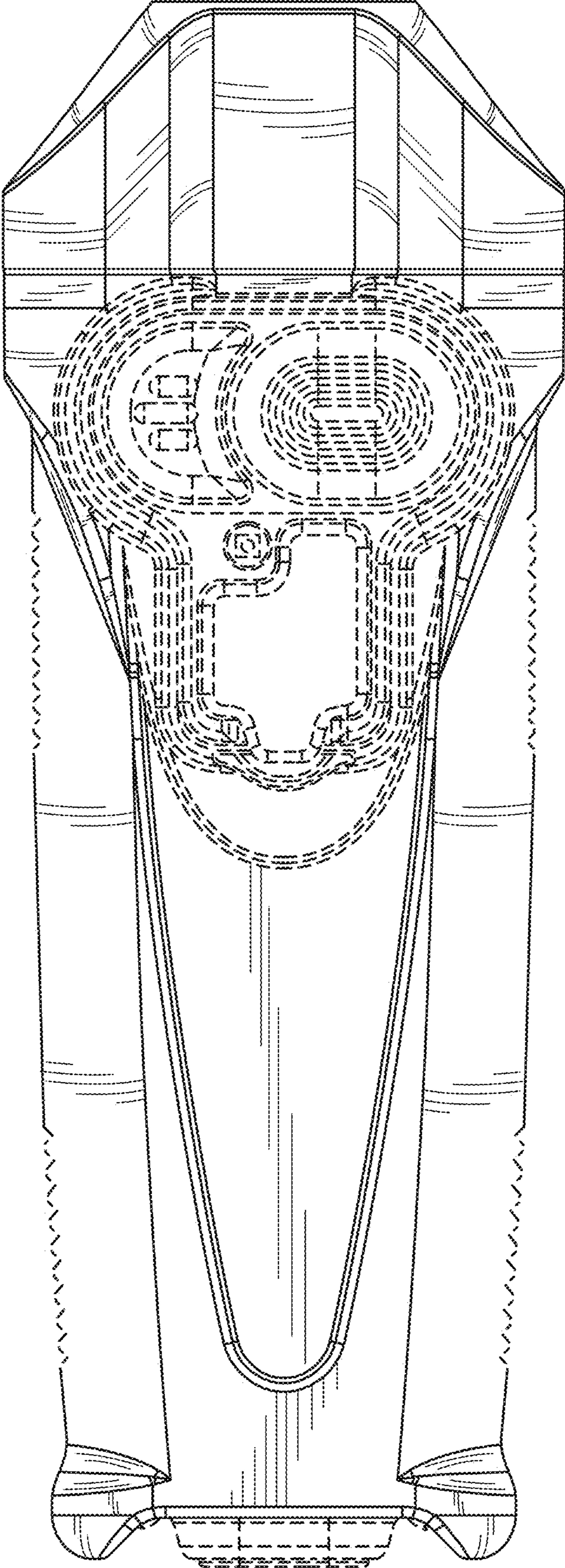


FIG. 3

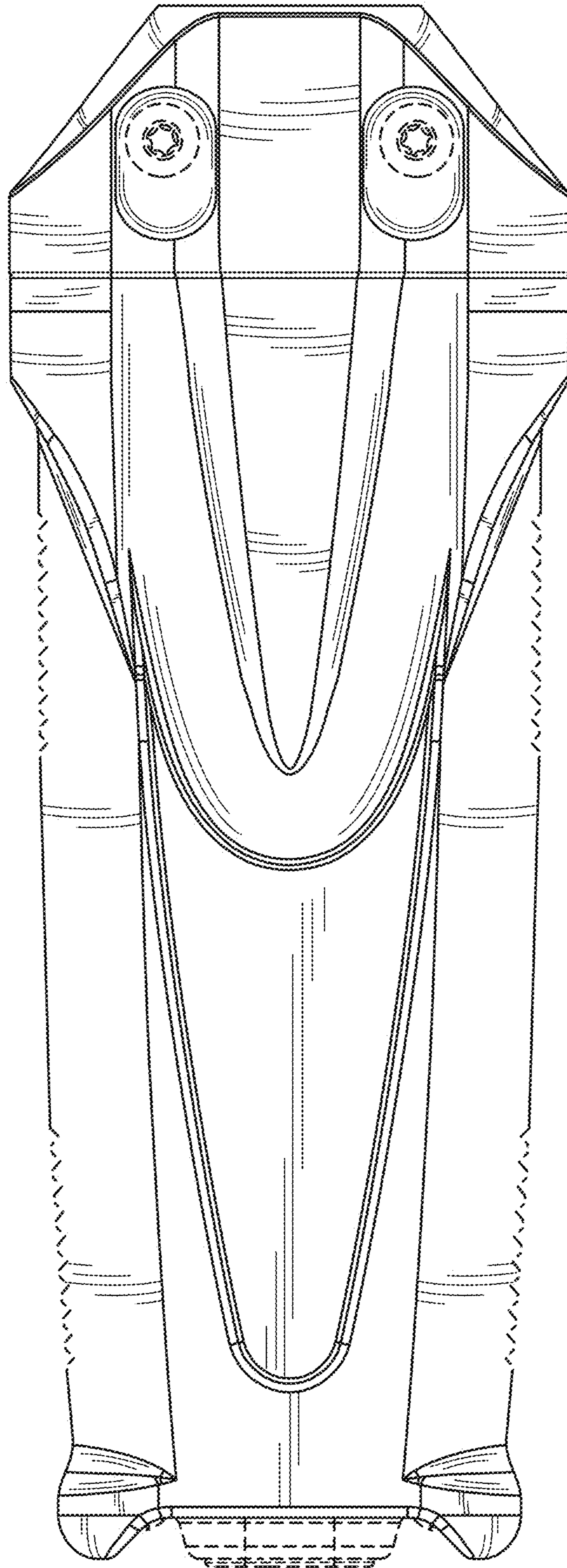


FIG. 4

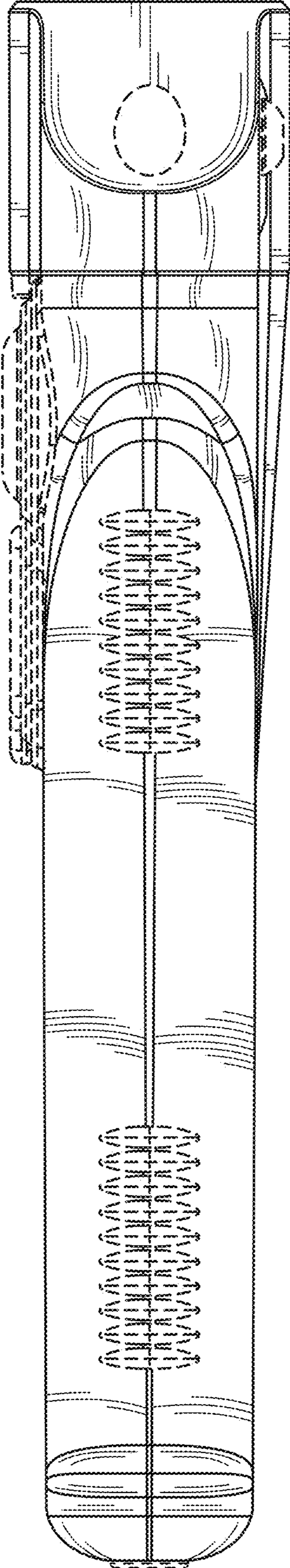


FIG. 5

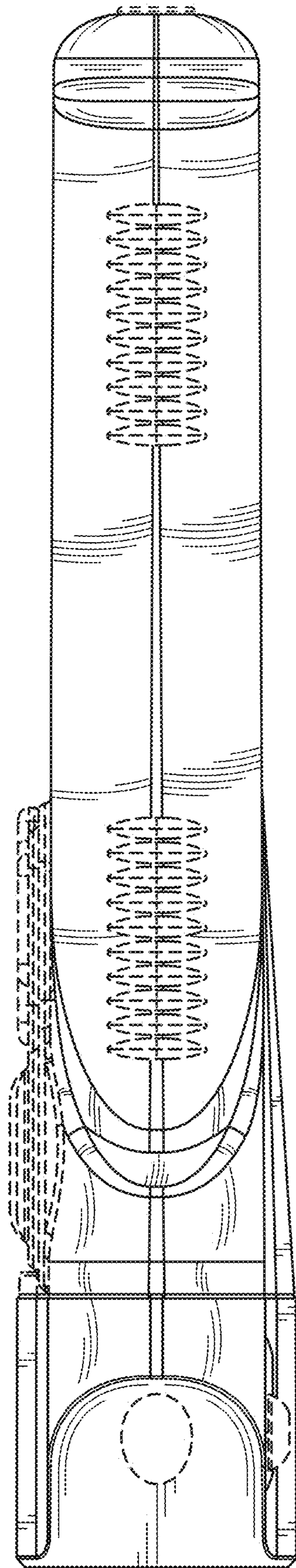


FIG. 6

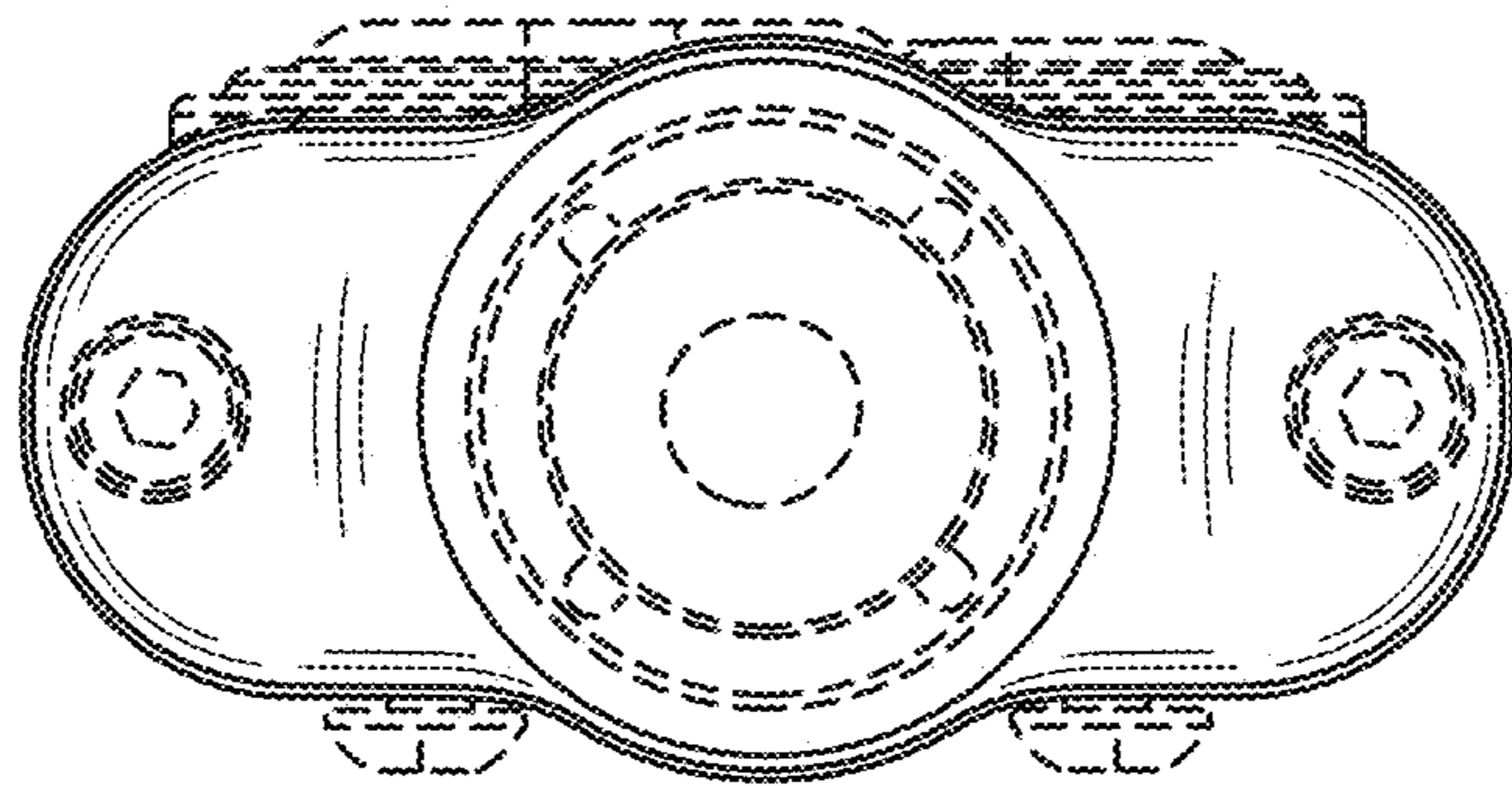


FIG. 7

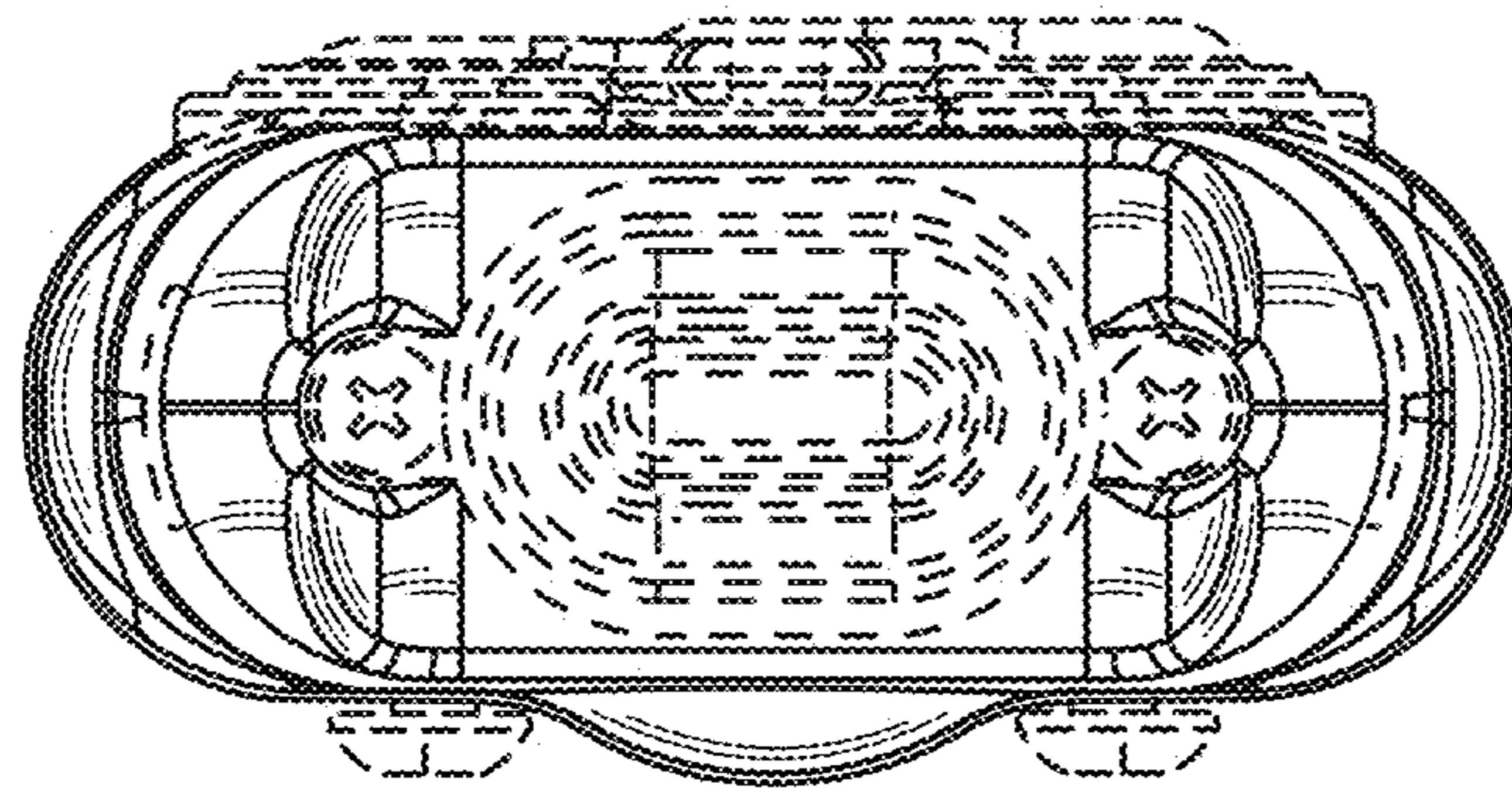


FIG. 8

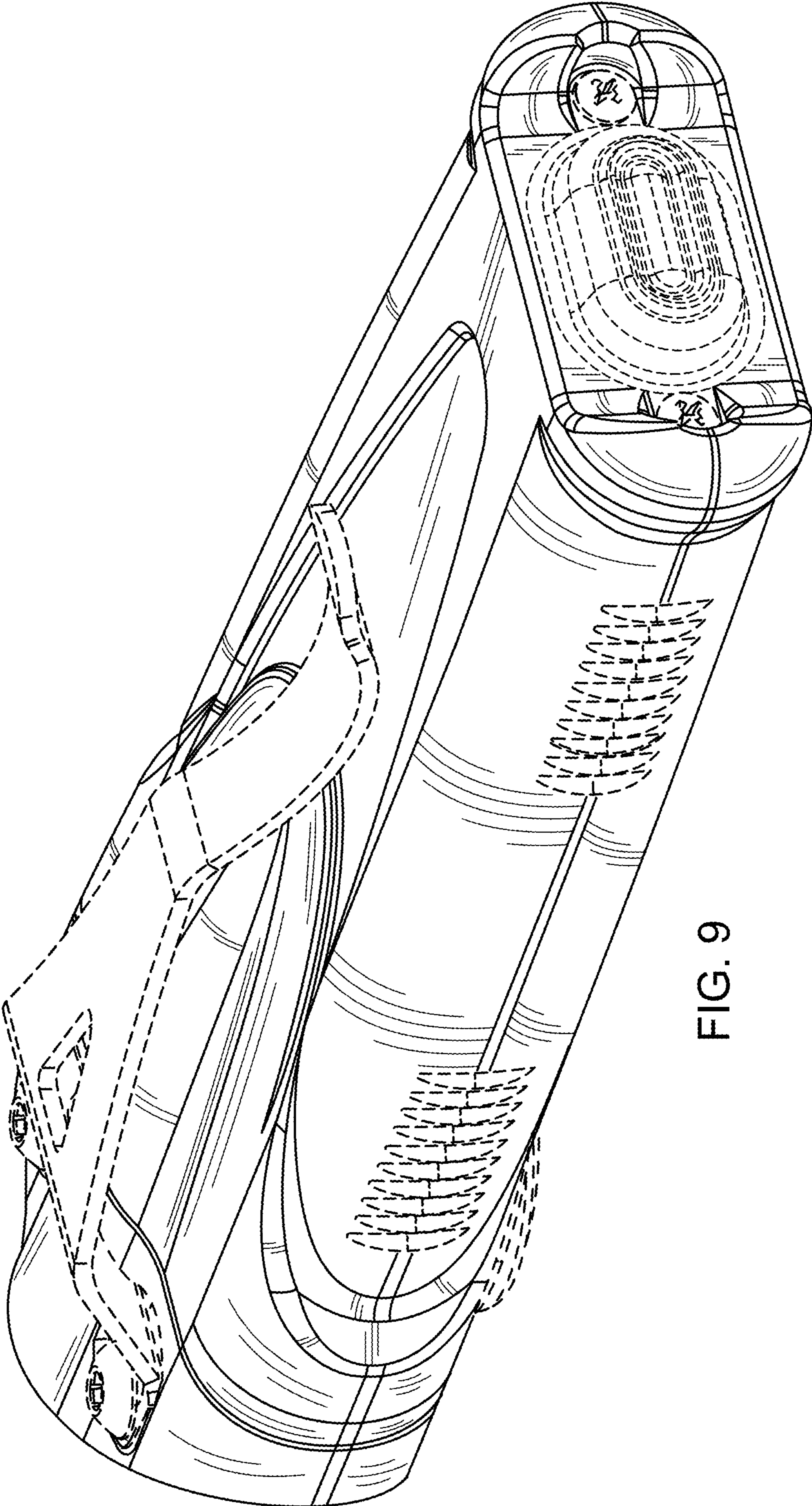


FIG. 9