



US00D889714S

(12) **United States Design Patent** (10) **Patent No.:** **US D889,714 S**
Green et al. (45) **Date of Patent:** **** Jul. 7, 2020**

(54) **WORK LIGHT**
(71) Applicant: **Home Depot Product Authority, LLC**,
Atlanta, GA (US)
(72) Inventors: **Adam Green**, Marietta, GA (US);
Bernard Scott, II, Lawrenceville, GA
(US)
(73) Assignee: **Home Depot Product Authority, LLC**,
Atlanta, GA (US)

D752,792 S * 3/2016 Grandadam D26/42
D757,971 S * 5/2016 Kovacik D26/37
D760,927 S * 7/2016 Bao D26/24
D803,444 S * 11/2017 Green D26/49
D809,169 S * 1/2018 Grandadam D26/38
D810,335 S * 2/2018 Levy D26/37
D821,007 S * 6/2018 Chen D26/39

* cited by examiner

(**) Term: **15 Years**

Primary Examiner — Brandon M Rosati
Assistant Examiner — Carissa C Fitts
(74) *Attorney, Agent, or Firm* — Greenberg Traurig, LLP

(21) Appl. No.: **29/637,852**

(57) **CLAIM**

(22) Filed: **Feb. 22, 2018**

We claim the ornamental design for a work light, as shown and described.

(51) **LOC (12) Cl.** **26-02**

(52) **U.S. Cl.**
USPC **D26/43**

(58) **Field of Classification Search**
USPC D26/37-51
CPC F21L 2003/00; F21L 4/00; F21L 4/005;
F21L 4/02; F21L 4/025; F21L 4/027;
F21L 4/04; F21L 4/08; F21L 2005/00;
F21L 7/00; F21L 11/00; F21L 13/00;
F21L 13/04; F21L 13/08; F21L 14/02;
F21L 17/00; F21L 19/00; F21L 25/00

DESCRIPTION

See application file for complete search history.

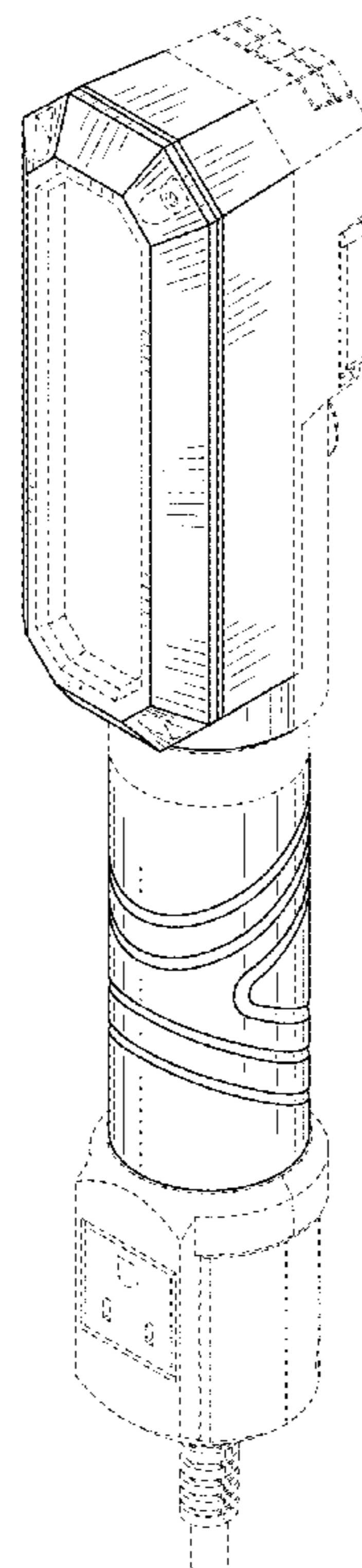
FIG. 1 is a front perspective view of our work light;
FIG. 2 is a front view thereof;
FIG. 3 is a rear view thereof;
FIG. 4 is a left side view thereof;
FIG. 5 is a right side view thereof;
FIG. 6 is a top view thereof; and,
FIG. 7 is a bottom view thereof.
The dashed lines in the figures represent environmental structure and form no part of the claimed design. All other surface(s) or portion(s) of our designs not shown in the figures or otherwise described in the specification form no part of the claimed design.

(56) **References Cited**

U.S. PATENT DOCUMENTS

D721,841 S * 1/2015 Kwon D26/37
D742,568 S * 11/2015 Abernethy D26/42

1 Claim, 4 Drawing Sheets



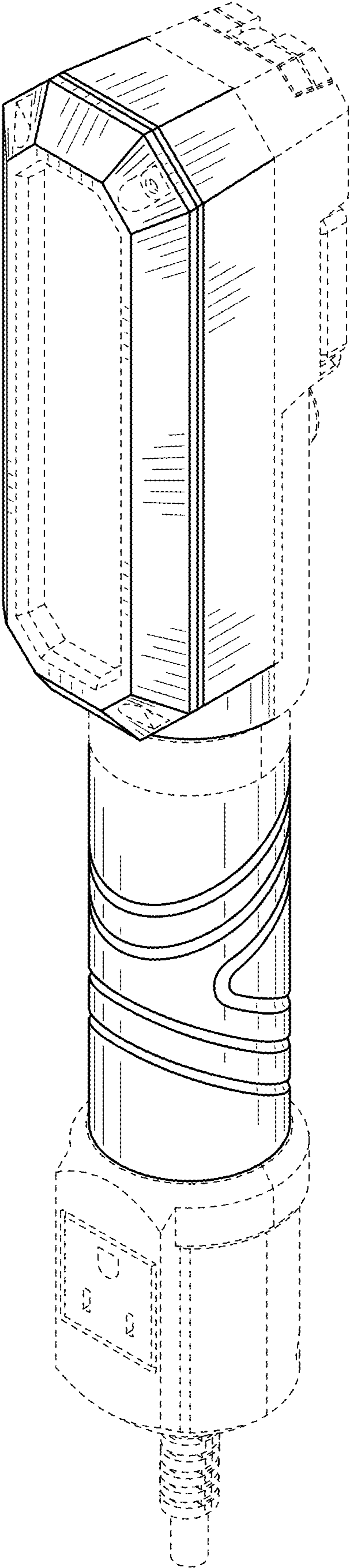


FIG. 1

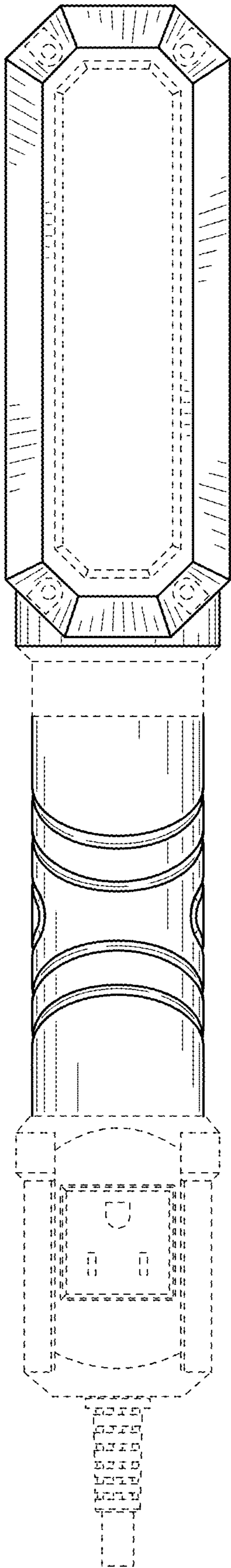


FIG. 2

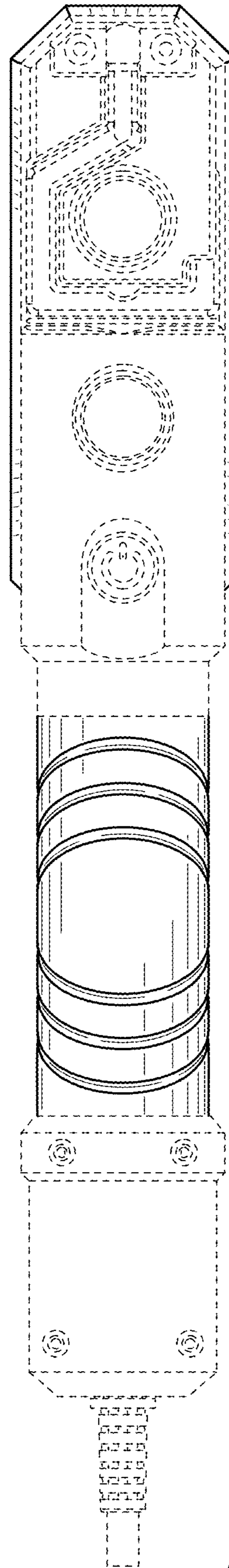


FIG. 3

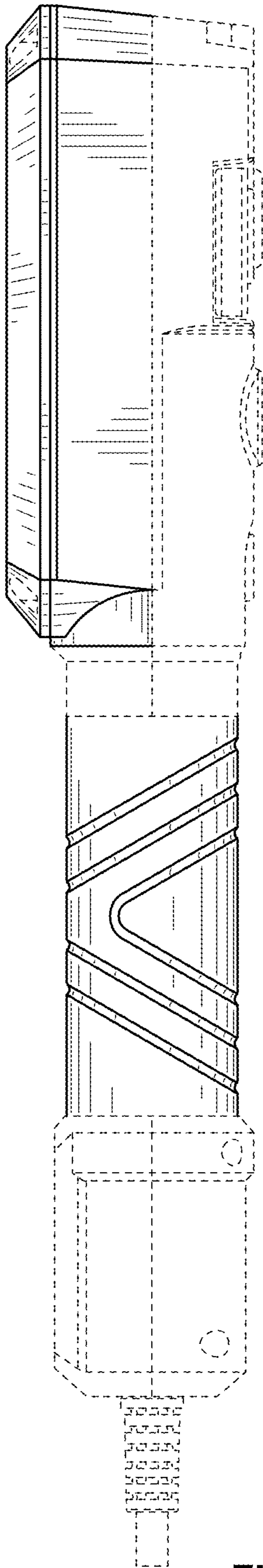


FIG. 4

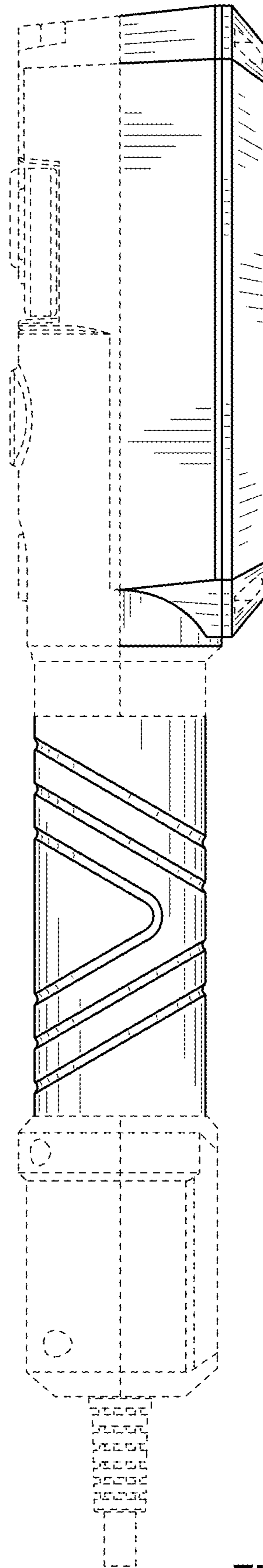


FIG. 5

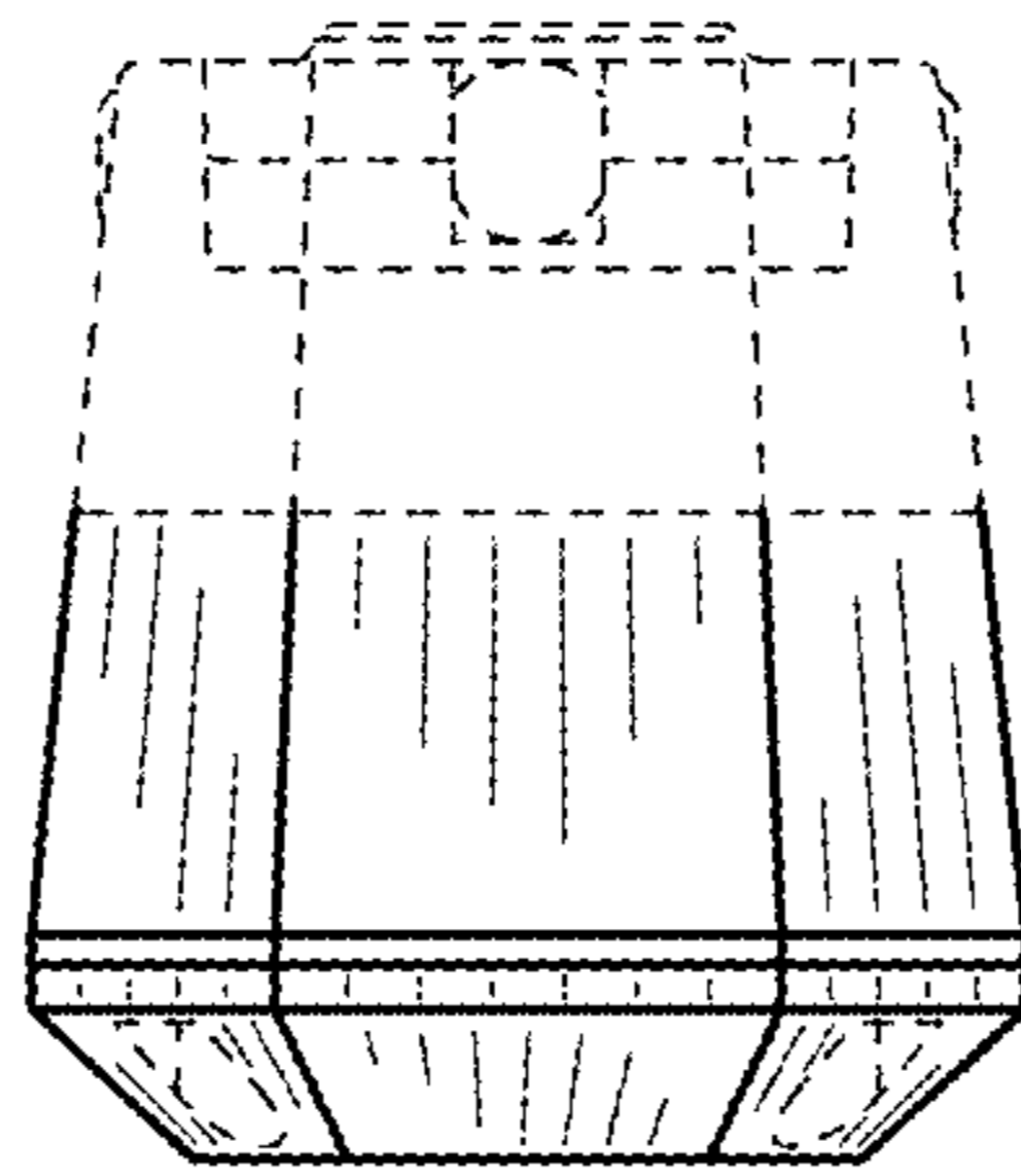


FIG. 6

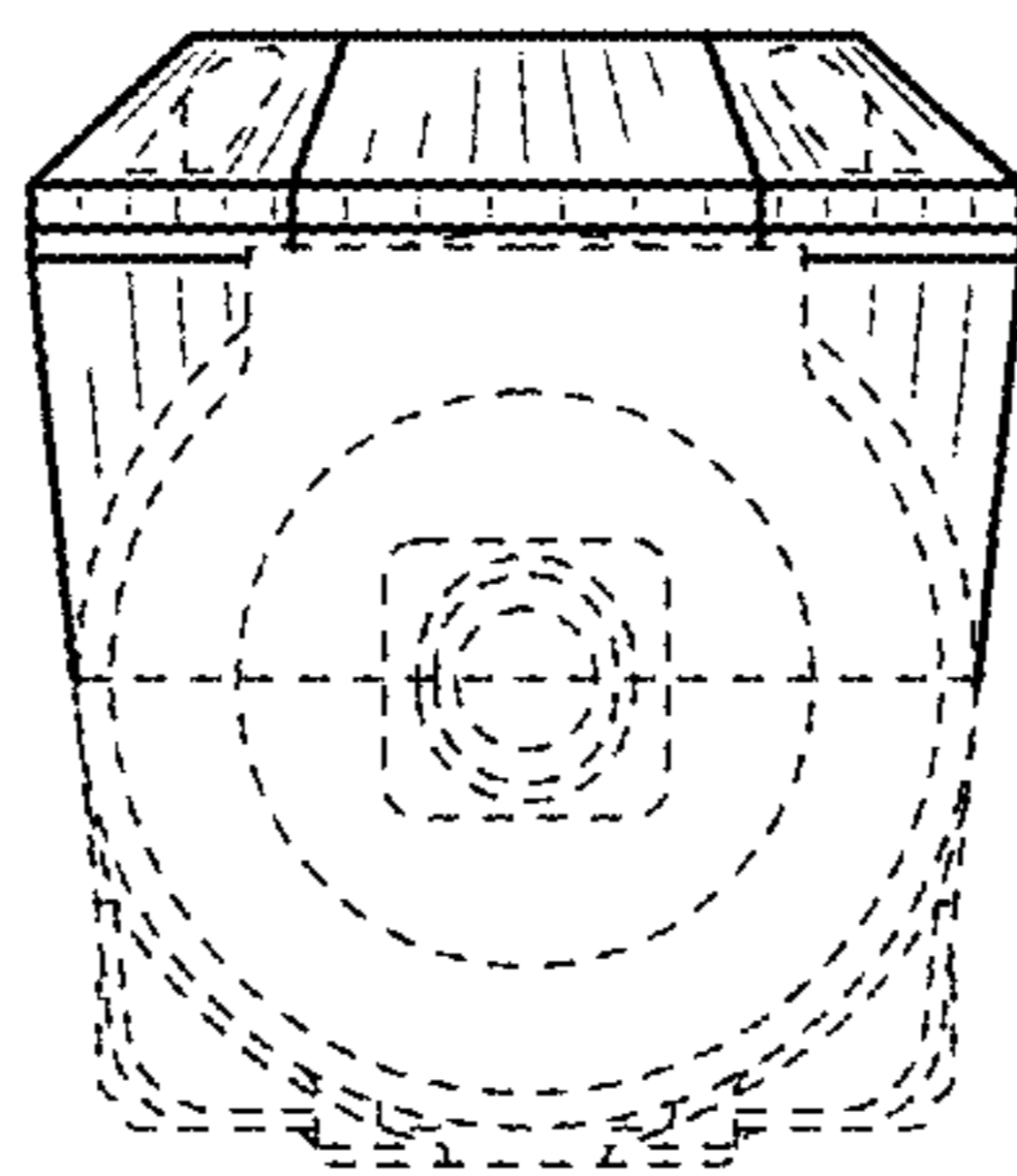


FIG. 7