



US00D889713S

(12) **United States Design Patent**
Tolley

(10) **Patent No.:** **US D889,713 S**

(45) **Date of Patent:** **** Jul. 7, 2020**

(54) **HAND MOUNTED LIGHTING DEVICE WITH MIRROR**

(71) Applicant: **Paul Tolley**, Congleton (GB)

(72) Inventor: **Paul Stephen Tolley**, Congleton (GB)

(**) Term: **15 Years**

(21) Appl. No.: **35/506,493**

(22) Filed: **Sep. 27, 2018**

(80) **Hague Agreement Data**

Int. Filing Date: **Sep. 27, 2018**

Int. Reg. No.: **DM/103677**

Int. Reg. Date: **Sep. 27, 2018**

Int. Reg. Pub. Date: **Mar. 29, 2019**

(51) **LOC (12) Cl.** **26-02**

(52) **U.S. Cl.**
USPC **D26/37**

(58) **Field of Classification Search**
USPC D26/37-39, 46, 49, 51
CPC F21V 33/00; F21V 14/025; F21V 21/046;
F21V 2101/02; F21S 8/00; F21S 8/024;
F21S 8/026; F21S 8/031; F21S 8/033;
F21S 8/035-037; F21S 8/04; F21S 8/043;
F21S 8/063

See application file for complete search history.

(56) **References Cited**

U.S. PATENT DOCUMENTS

D361,143 S * 8/1995 Helvey D26/39
D362,920 S * 10/1995 Schwartz D26/39

D533,954 S * 12/2006 Opolka D26/39
D571,942 S * 6/2008 Christianson D26/39
D623,783 S * 9/2010 Christianson D26/39
D625,863 S * 10/2010 Kingston D26/39
D662,239 S * 6/2012 Szymanski D26/39
D699,380 S * 2/2014 Weaver D26/39
D699,875 S * 2/2014 Christianson D26/39
D744,135 S * 11/2015 Menjor D26/39
D752,259 S * 3/2016 Hine D26/39
D752,261 S * 3/2016 Ma D26/39
D753,327 S * 4/2016 Miki D26/37
D758,629 S * 6/2016 Matthews D26/39
D803,442 S * 11/2017 Green D26/39
D824,059 S * 7/2018 Inskeep D26/39
D861,212 S * 9/2019 Windom D26/39
2017/0363258 A1 * 12/2017 Tolley A41D 19/0024

* cited by examiner

Primary Examiner — Natasha Vujcic

(74) *Attorney, Agent, or Firm* — William H. Bollman

(57) **CLAIM**

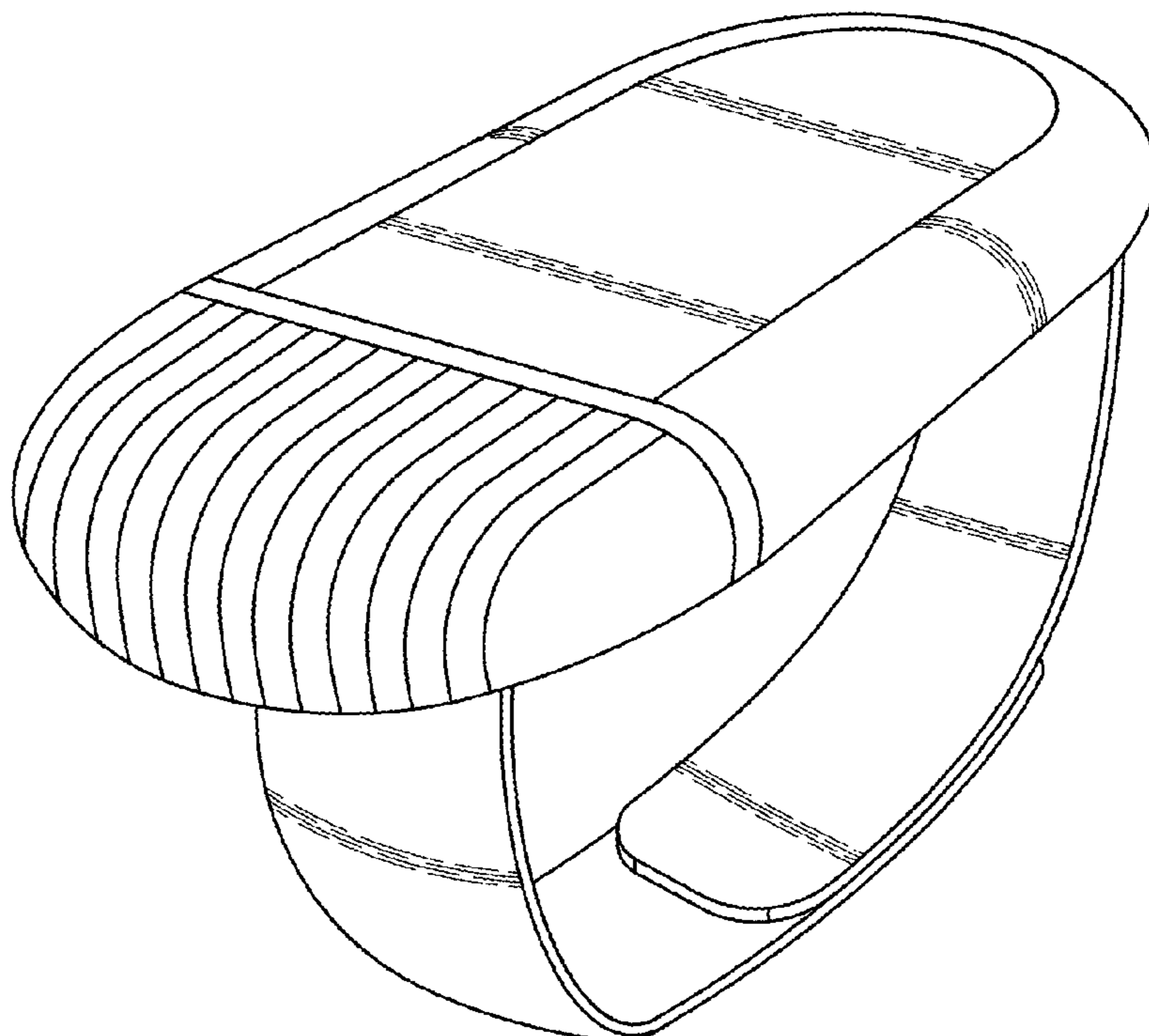
The ornamental design for a hand mounted lighting device with mirror, as shown and described.

DESCRIPTION

1. Hand mounted lighting device with mirror

- 1.1 : Top
- 1.2 : Back
- 1.3 : Bottom
- 1.4 : Left
- 1.5 : Front
- 1.6 : Right
- 1.7 : Perspective

1 Claim, 4 Drawing Sheets



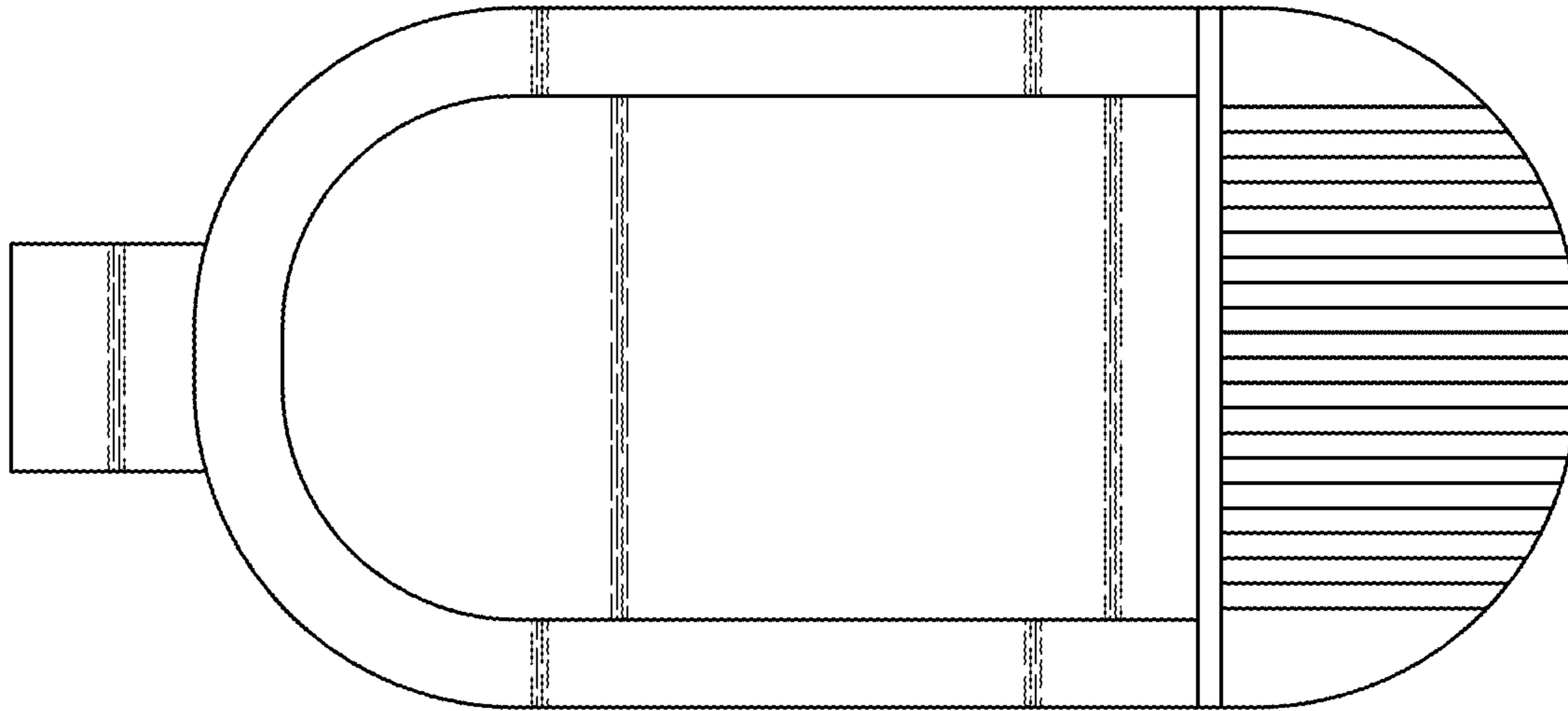


FIG. 1.1

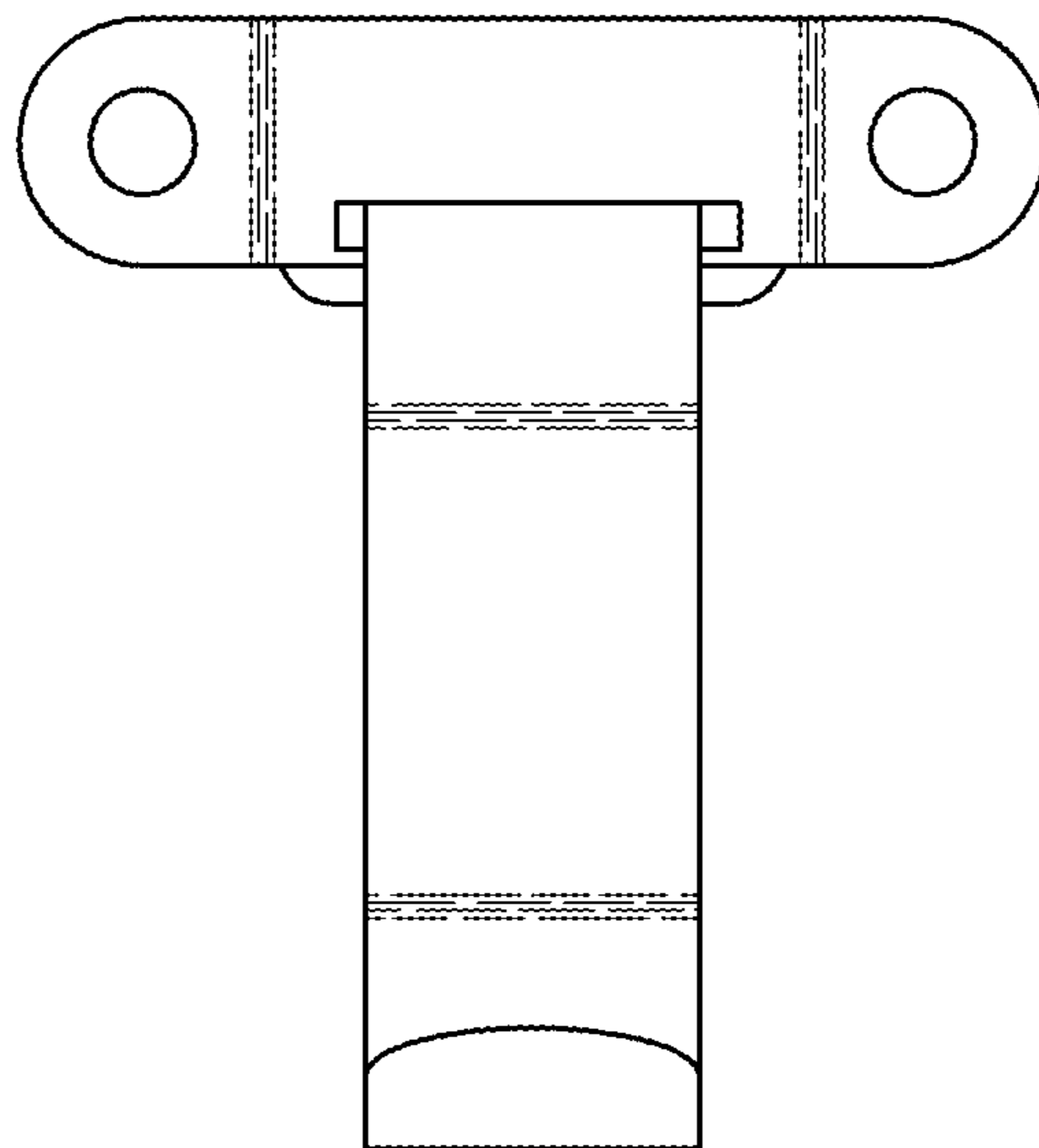


FIG. 1.2

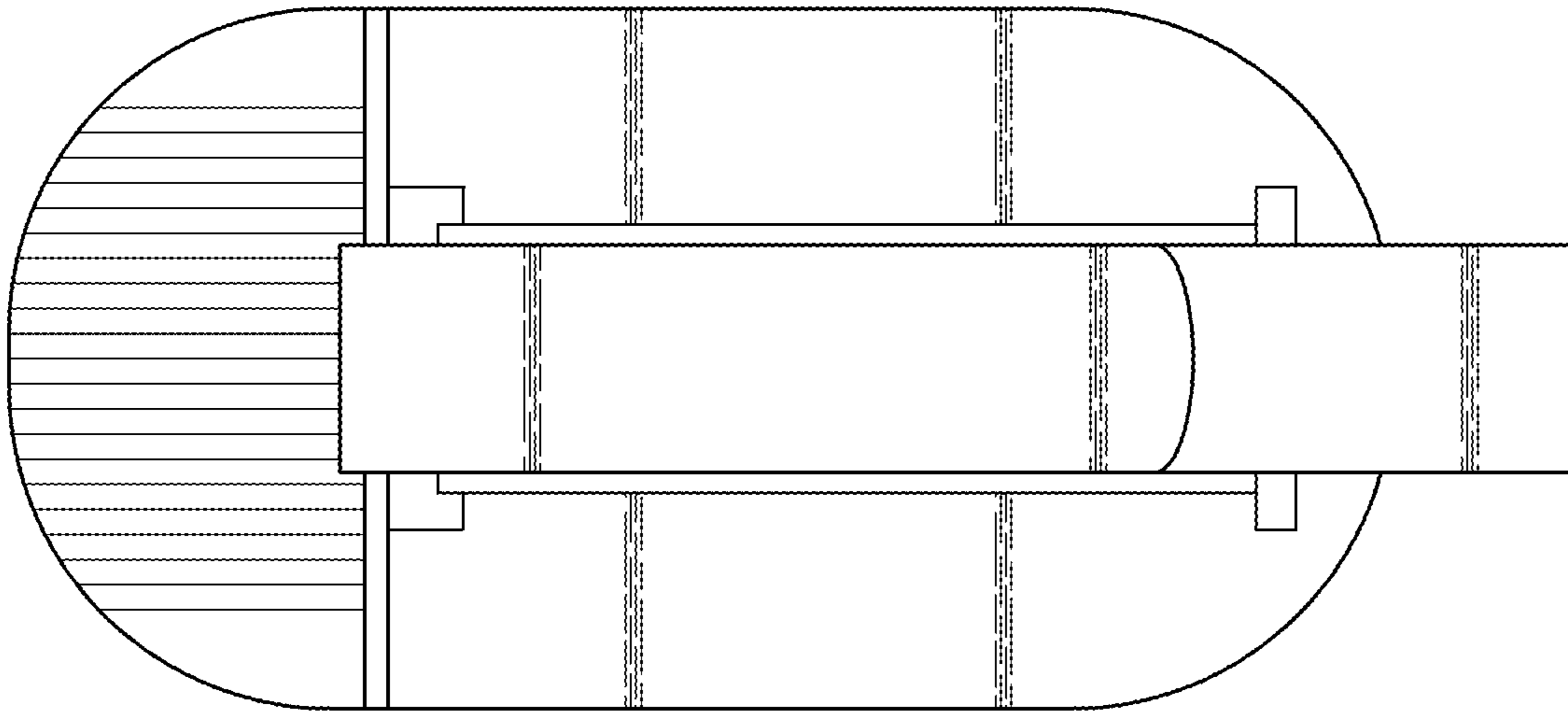


FIG. 1.3

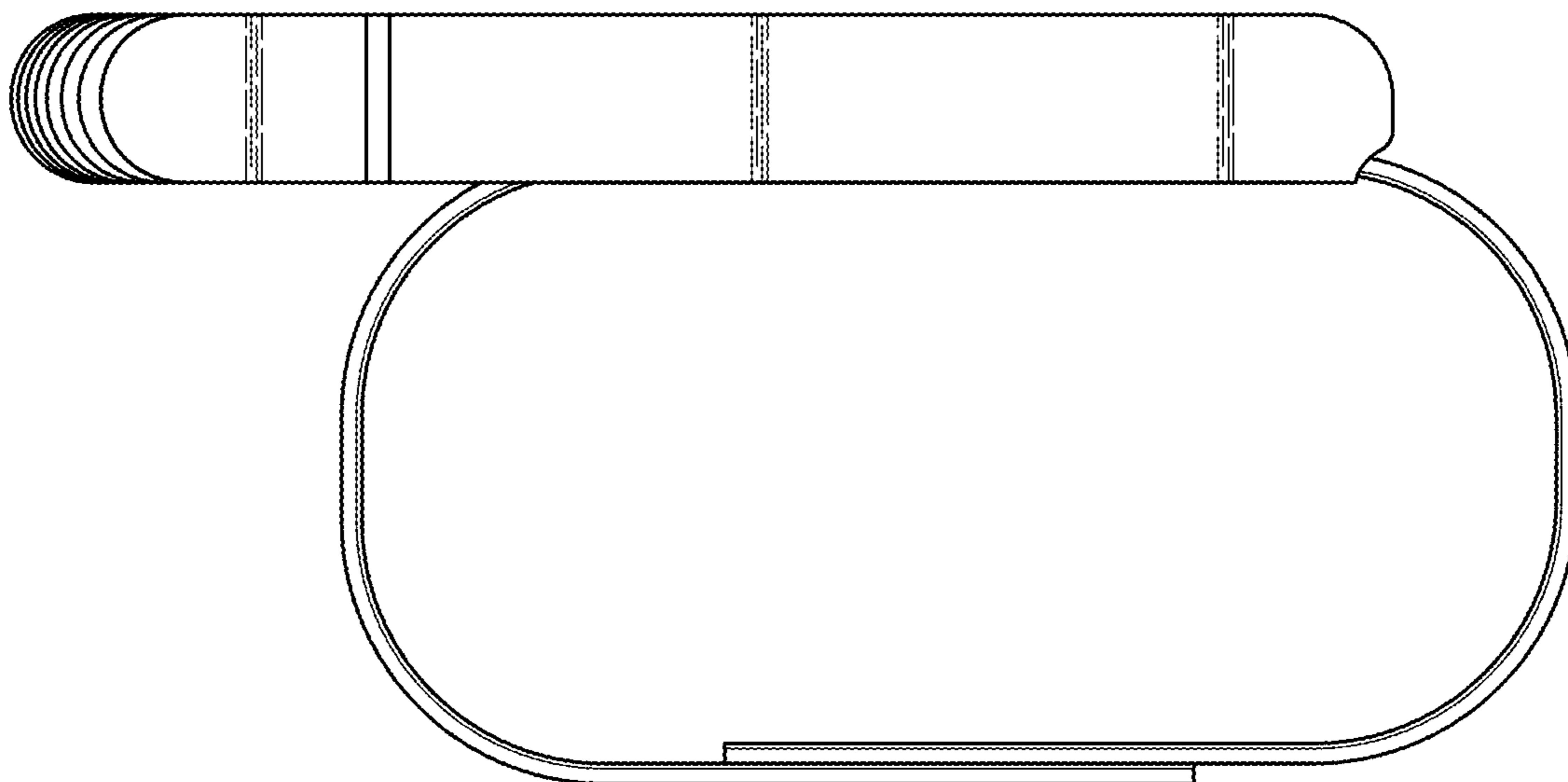


FIG. 1.4

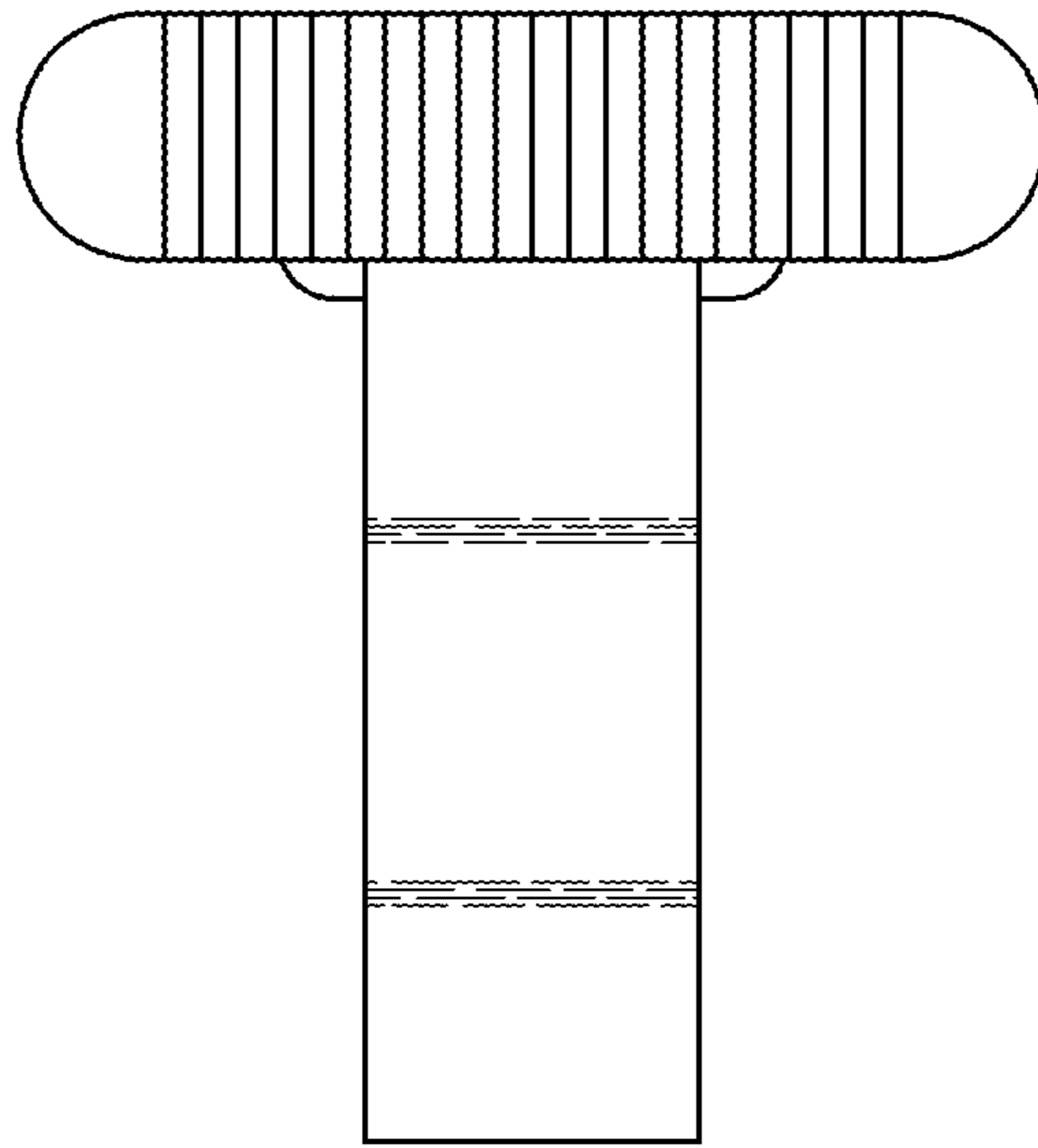


FIG. 1.5

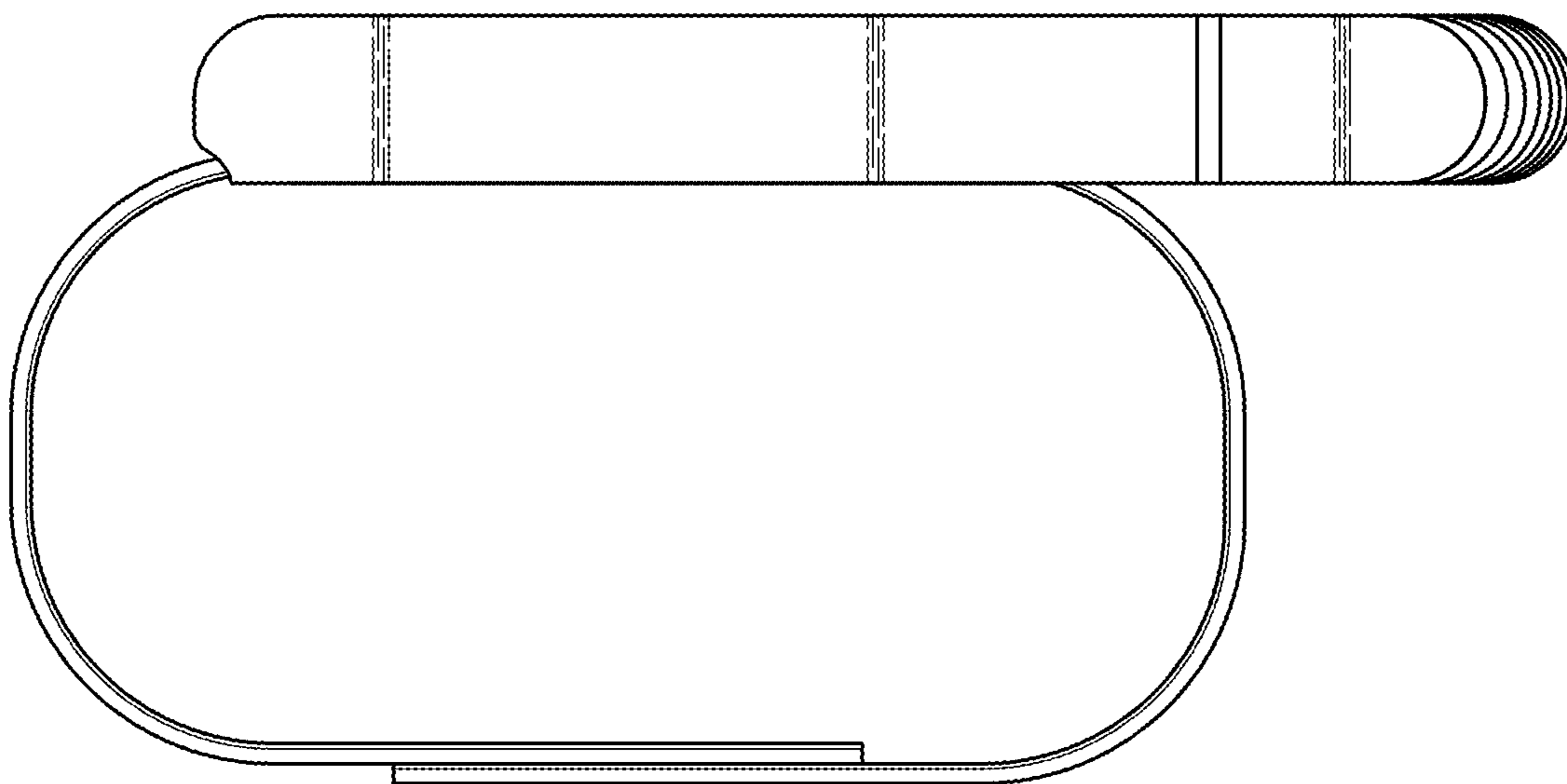


FIG. 1.6

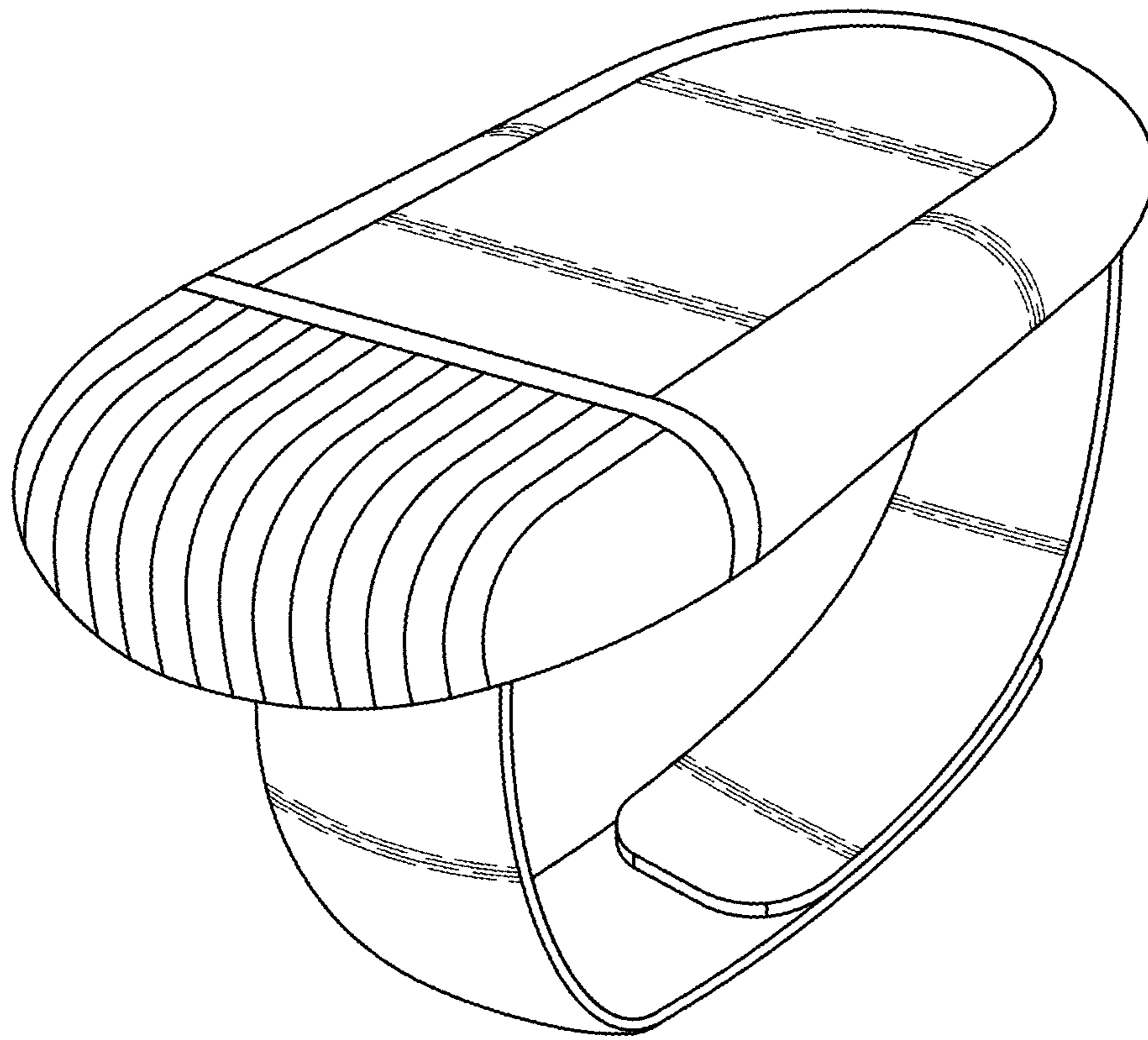


FIG. 1.7