



US00D889712S

(12) **United States Design Patent** (10) **Patent No.:** **US D889,712 S**
Liu (45) **Date of Patent:** **** Jul. 7, 2020**

(54) **LAMP**
(71) Applicant: **Dongguan Chuan OptoElectronics Limited**, Dongguan (CN)
(72) Inventor: **Yiquan Liu**, Dongguan (CN)
(73) Assignee: **Dongguan Chuan OptoElectronics Limited**, Dongguan (CN)
(**) Term: **15 Years**

D713,076 S * 9/2014 von Waldthausen D26/37
D831,248 S * 10/2018 Kuhls D26/37
D855,227 S * 7/2019 Becker D26/37
D858,830 S * 9/2019 Grandadam D26/37
D861,937 S * 10/2019 Hu D26/37

* cited by examiner

Primary Examiner — Brian N. Vinson
(74) *Attorney, Agent, or Firm* — Westbridge IP LLC

(21) Appl. No.: **29/668,702**
(22) Filed: **Nov. 1, 2018**
(51) **LOC (12) Cl.** **26-03**
(52) **U.S. Cl.**
USPC **D26/37**
(58) **Field of Classification Search**
USPC D26/60, 37, 24, 93, 106
CPC F21L 2003/00; F21L 4/00; F21L 4/005;
F21L 4/02; F21L 4/025; F21L 4/027;
F21L 4/04; F21L 4/08; F21L 2005/00;
F21L 7/00; F21L 11/00; F21L 13/00;
F21L 13/04; F21L 13/08; F21L 14/02;
F21L 17/00; F21L 19/00
See application file for complete search history.

(57) **CLAIM**

The ornamental design for a lamp, as shown and described.

DESCRIPTION

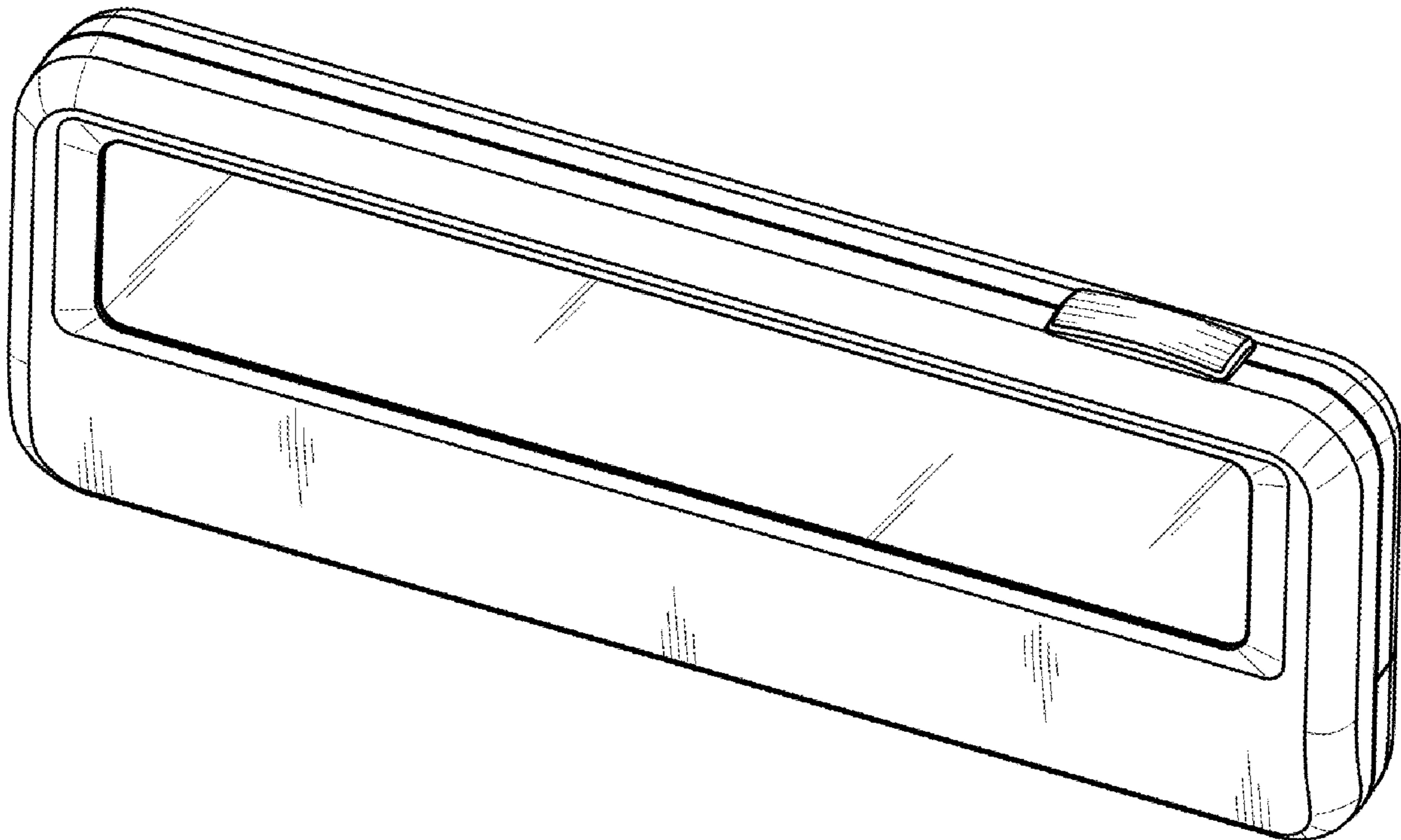
FIG. 1 is a first perspective view of a lamp showing my new design;
FIG. 2 is a second perspective view thereof;
FIG. 3 is a front view thereof;
FIG. 4 is a rear view thereof;
FIG. 5 is a left side view thereof;
FIG. 6 is a right side view thereof;
FIG. 7 is a top view thereof; and,
FIG. 8 is a bottom view thereof.
The diagonal lines in the drawings represent reflective surfaces.

(56) **References Cited**

U.S. PATENT DOCUMENTS

D615,676 S * 5/2010 Lee D26/37
D699,378 S * 2/2014 DiLuciano D26/37

1 Claim, 8 Drawing Sheets



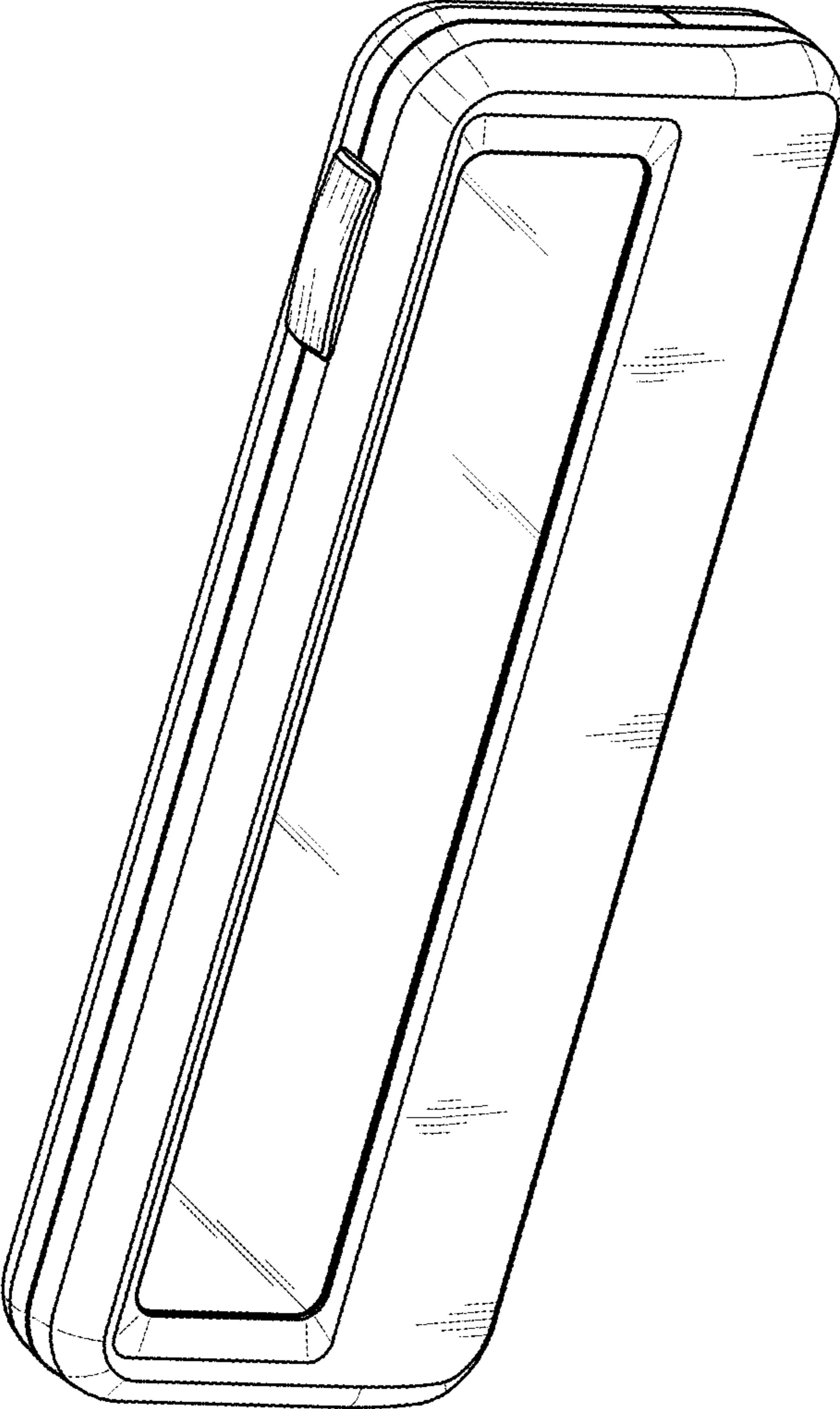


FIG. 1

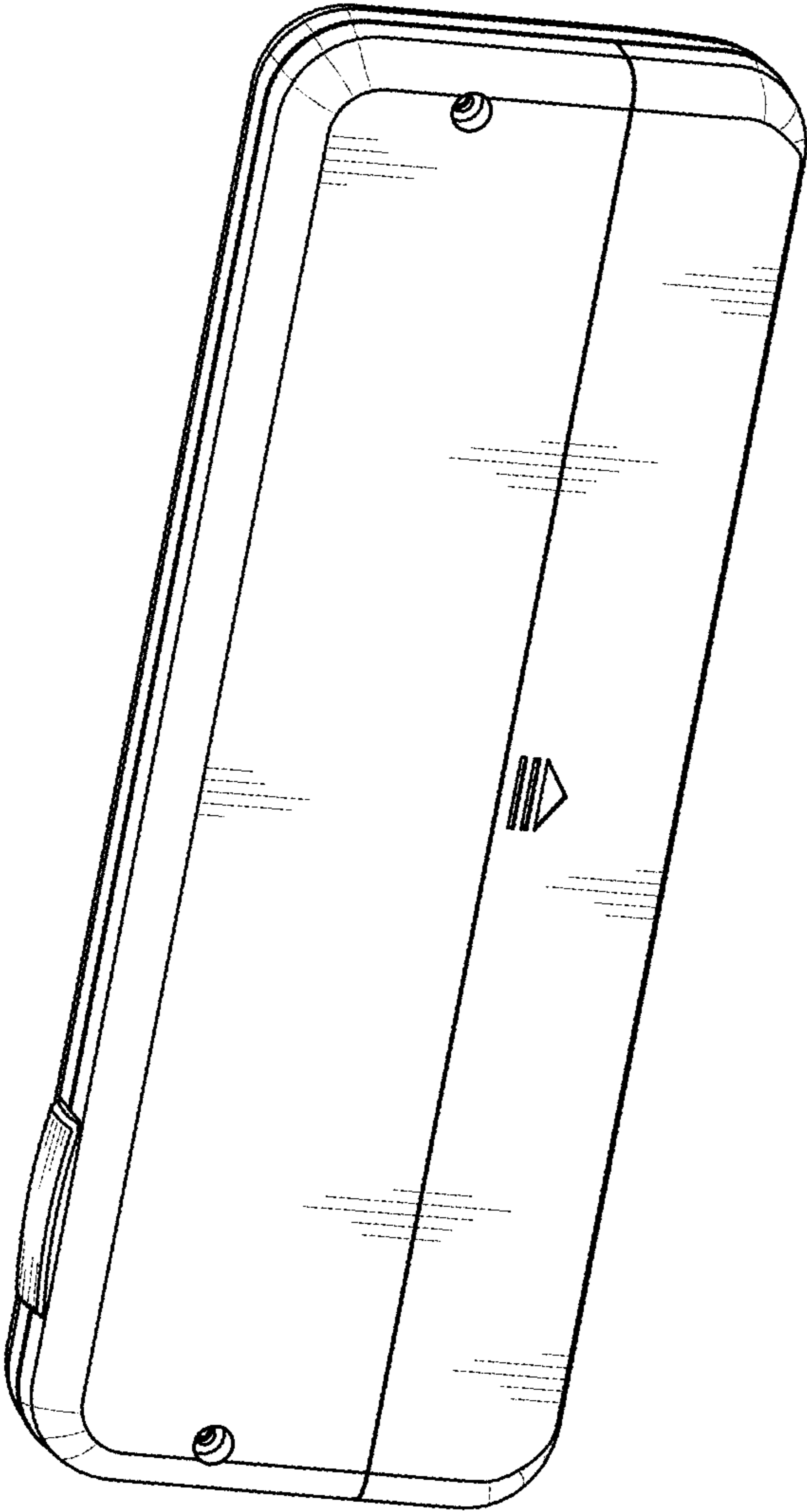


FIG. 2

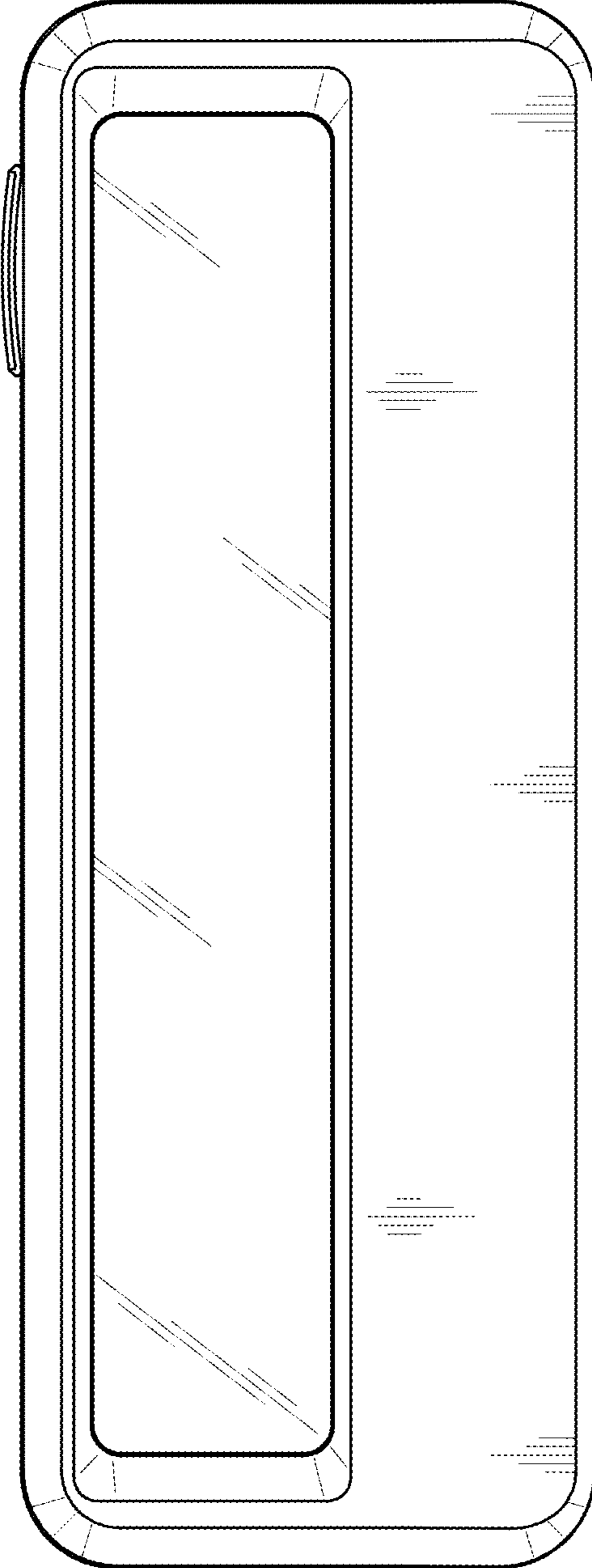


FIG. 3

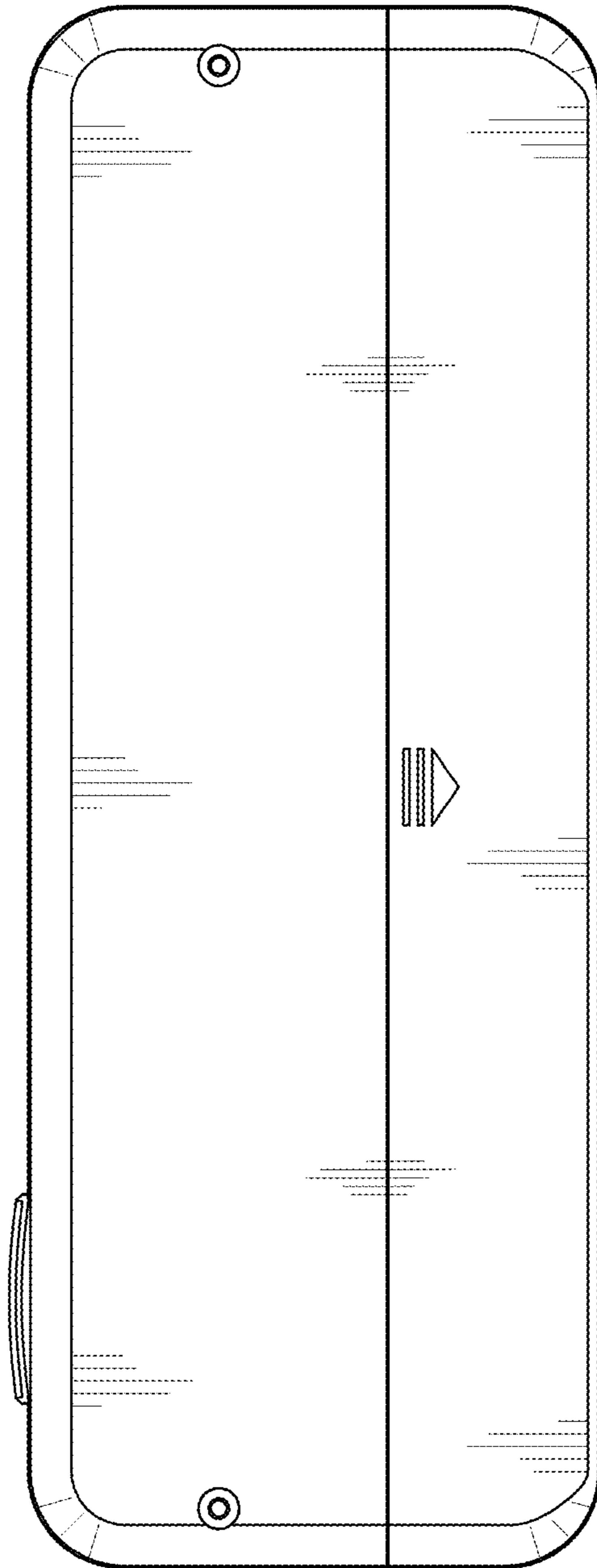


FIG. 4

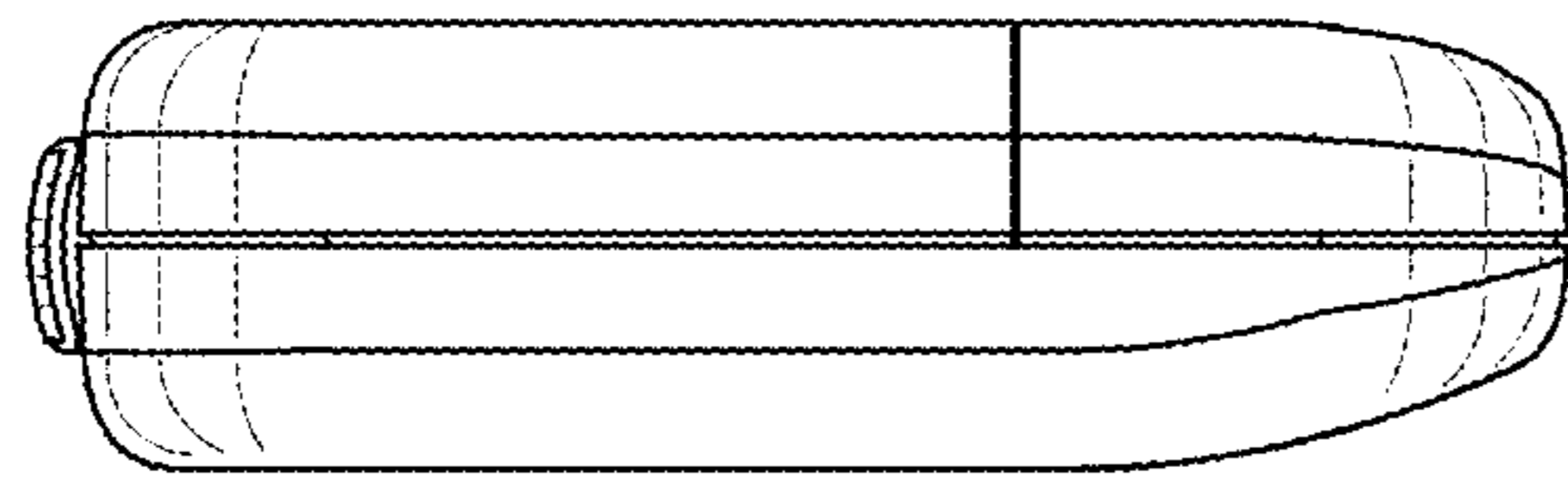


FIG. 5

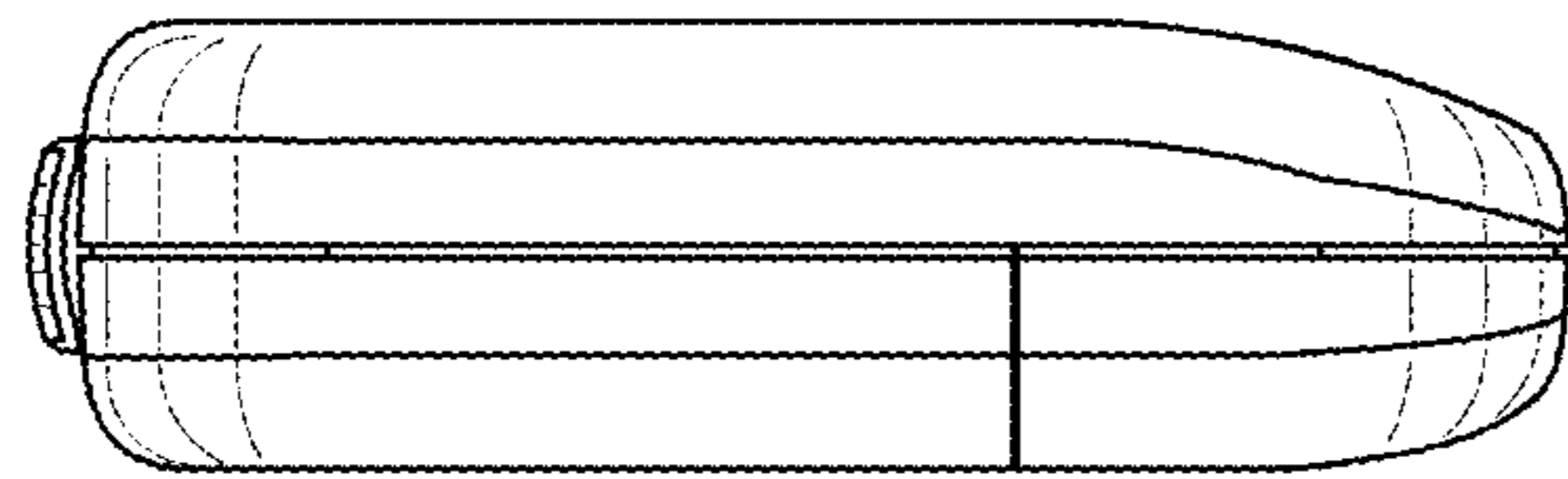


FIG. 6

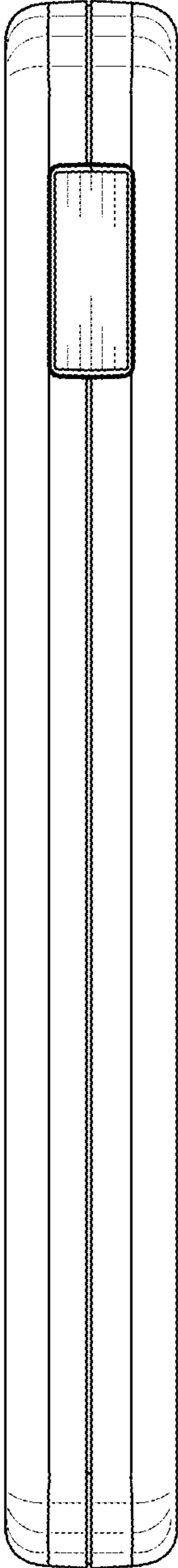


FIG. 7

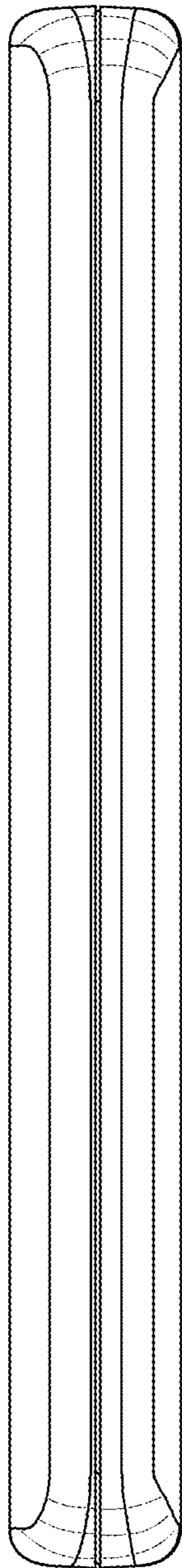


FIG. 8