



US00D889710S

(12) **United States Design Patent**  
**Yeh**

(10) **Patent No.:** **US D889,710 S**

(45) **Date of Patent:** **\*\* Jul. 7, 2020**

(54) **THIRD BRAKE LED LIGHT BASE**

D459,010 S \* 6/2002 Holmberg ..... D26/31  
D850,679 S \* 6/2019 Lin ..... D26/31

(71) Applicant: **JIANGSU CHEDA AUTO ACCESSORIES CO., LTD,**  
Changzhou, Jiangsu (CN)

\* cited by examiner

(72) Inventor: **Chun-Hung Yeh,** Taiwan (CN)

*Primary Examiner* — Marcus A Jackson

(73) Assignee: **JIANGSU CHEDA AUTO ACCESSORIES CO., LTD,**  
Changzhou (CN)

(74) *Attorney, Agent, or Firm* — Wayne & Ken, LLC;  
Tony Hom

(\*\*) Term: **15 Years**

(57) **CLAIM**

The ornamental design for a third brake LED light base, as shown and described.

(21) Appl. No.: **29/679,025**

(22) Filed: **Jan. 31, 2019**

**DESCRIPTION**

(51) **LOC (12) Cl.** ..... **26-06**

(52) **U.S. Cl.**  
USPC ..... **D26/31**

(58) **Field of Classification Search**  
USPC ..... D26/28–36, 139  
CPC ..... F21S 48/00; F21S 48/10; F21S 48/115;  
F21S 48/225; F21S 48/1233; F21S  
48/1266; F21S 48/1388; F21S 48/2268;  
F21V 21/04; F21V 29/004; B60Q 9/13;  
B60Q 9/135; B60Q 9/1375

See application file for complete search history.

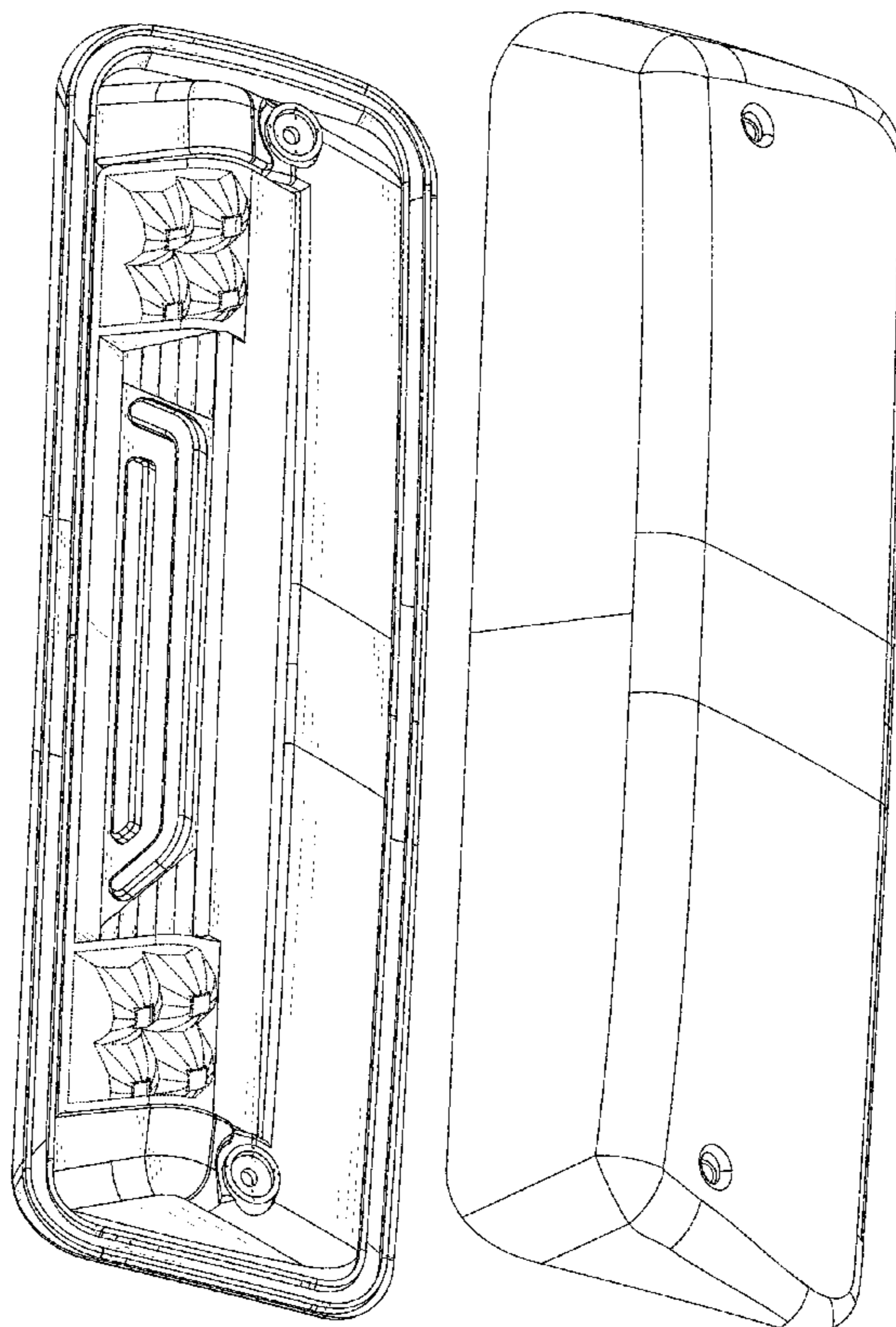
FIG. 1 is a perspective view of a third brake LED light base showing my new design;  
FIG. 2 is another perspective view thereof;  
FIG. 3 is a front elevation view thereof;  
FIG. 4 is a back elevation view thereof;  
FIG. 5 is a left side view thereof;  
FIG. 6 is a right side view thereof;  
FIG. 7 is a bottom plan view thereof.  
FIG. 8 is a using state diagram when an LED light bar is fitted; and,  
FIG. 9 is a using state diagram when a cover is closed.  
A top plan view is omitted, which is a mirror image of the bottom plan view.  
The broken lines in the drawing depict environmental subject matter only and form no part of the claimed design.

(56) **References Cited**

**U.S. PATENT DOCUMENTS**

D400,992 S \* 11/1998 Ruminski ..... D26/31

**1 Claim, 9 Drawing Sheets**



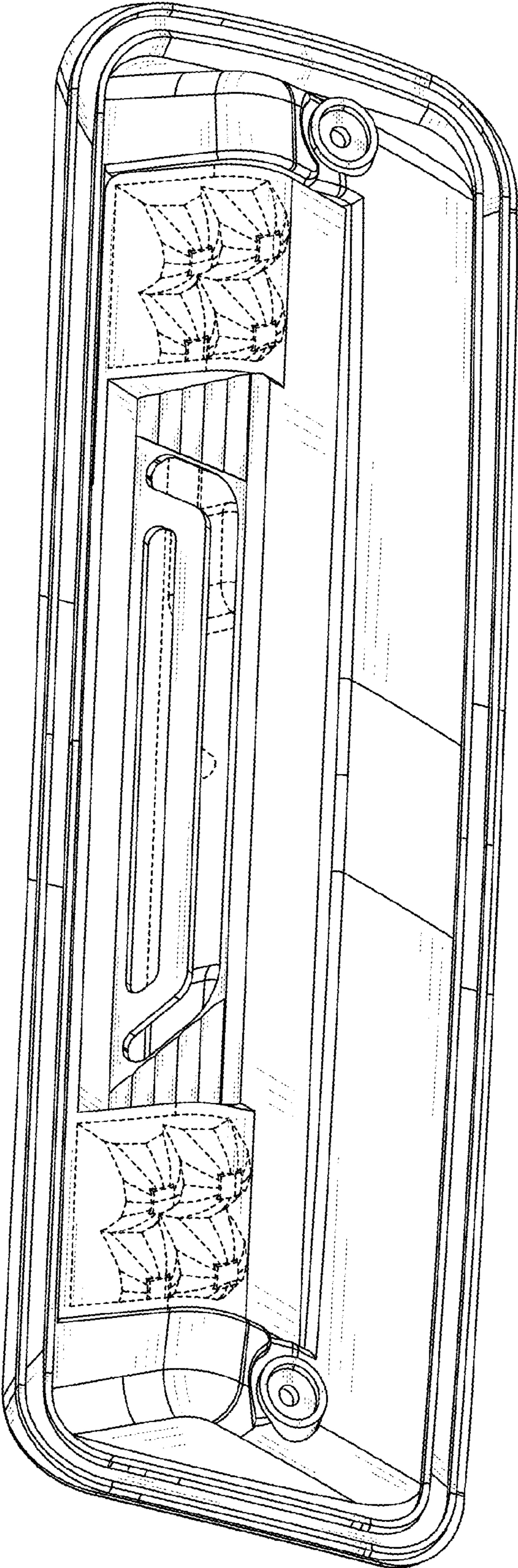


FIG. 1

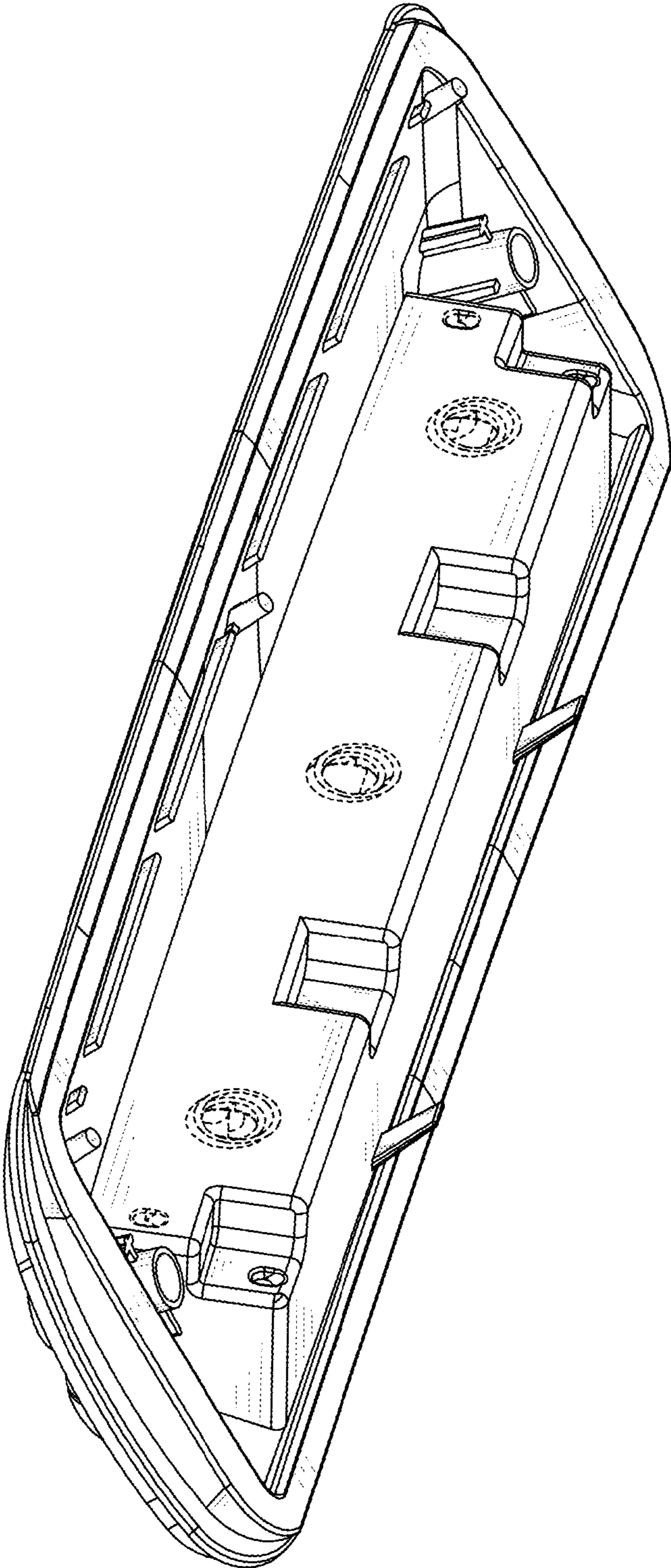


FIG. 2

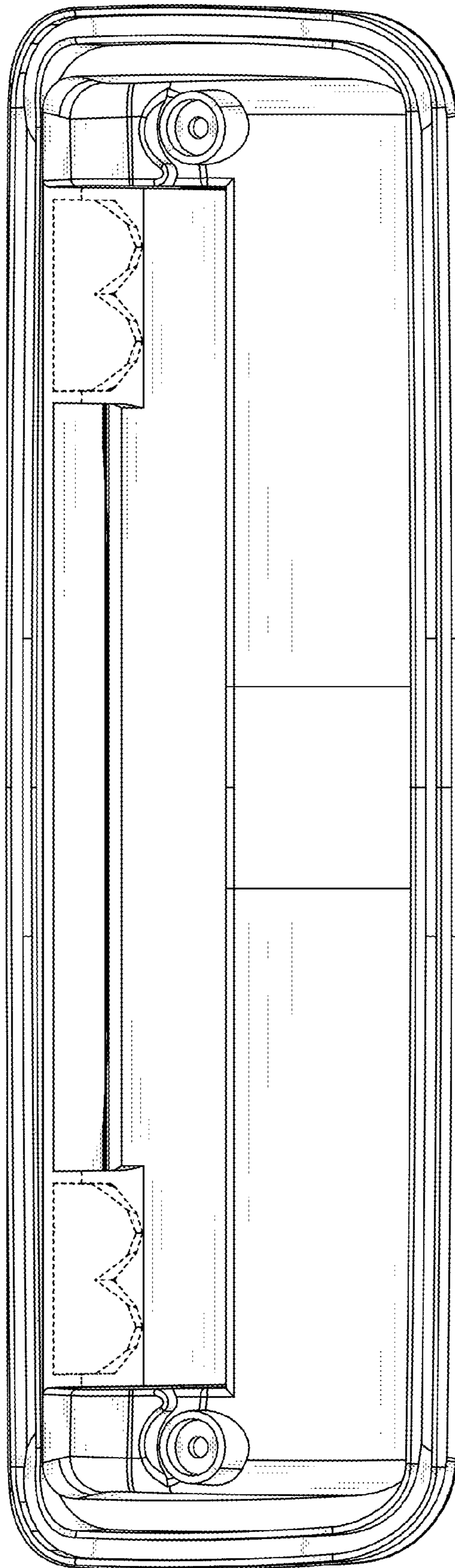


FIG. 3

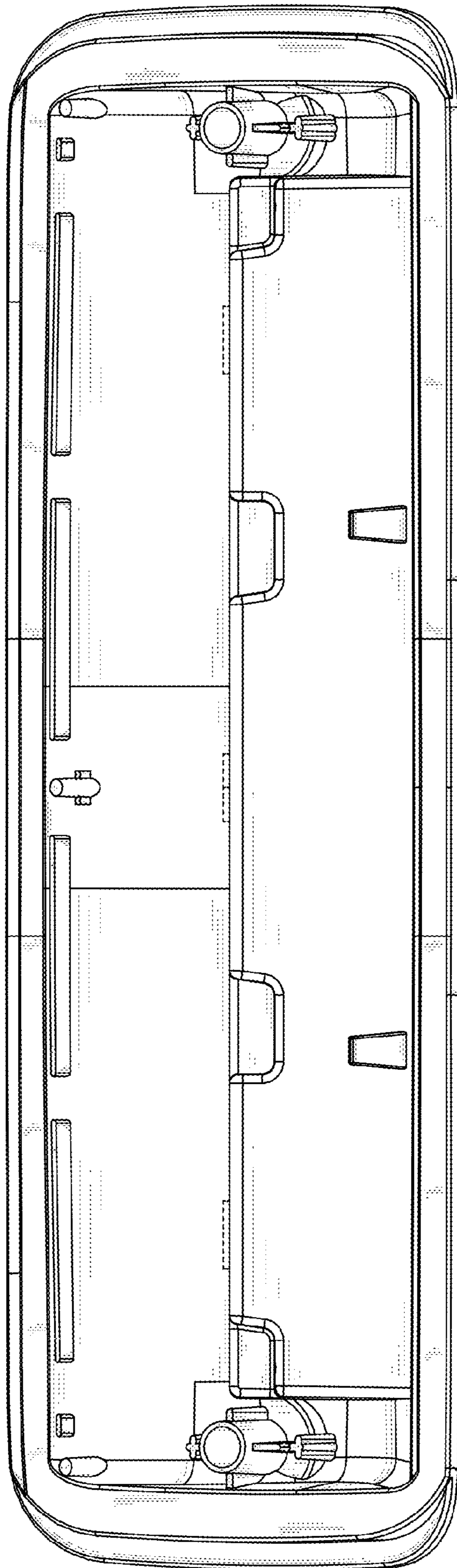


FIG. 4

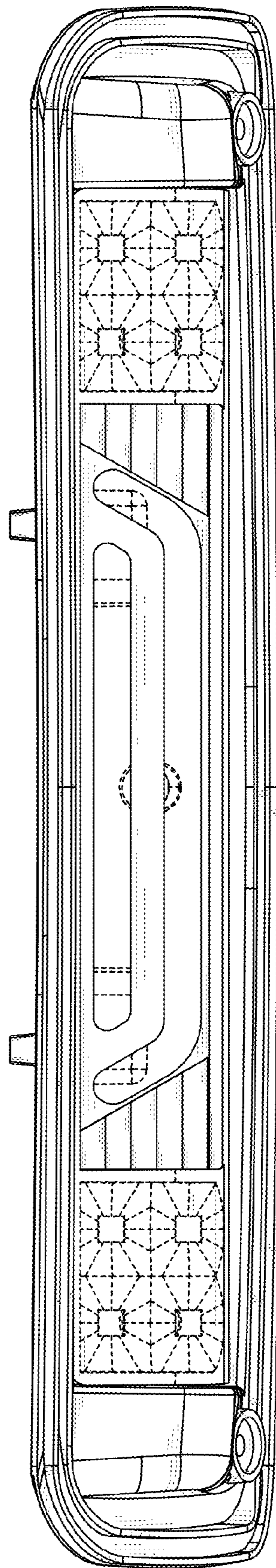


FIG. 5

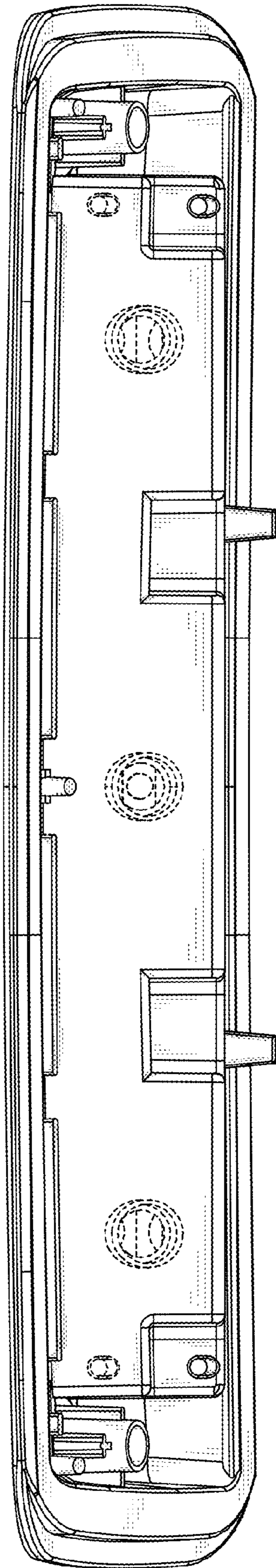


FIG. 6

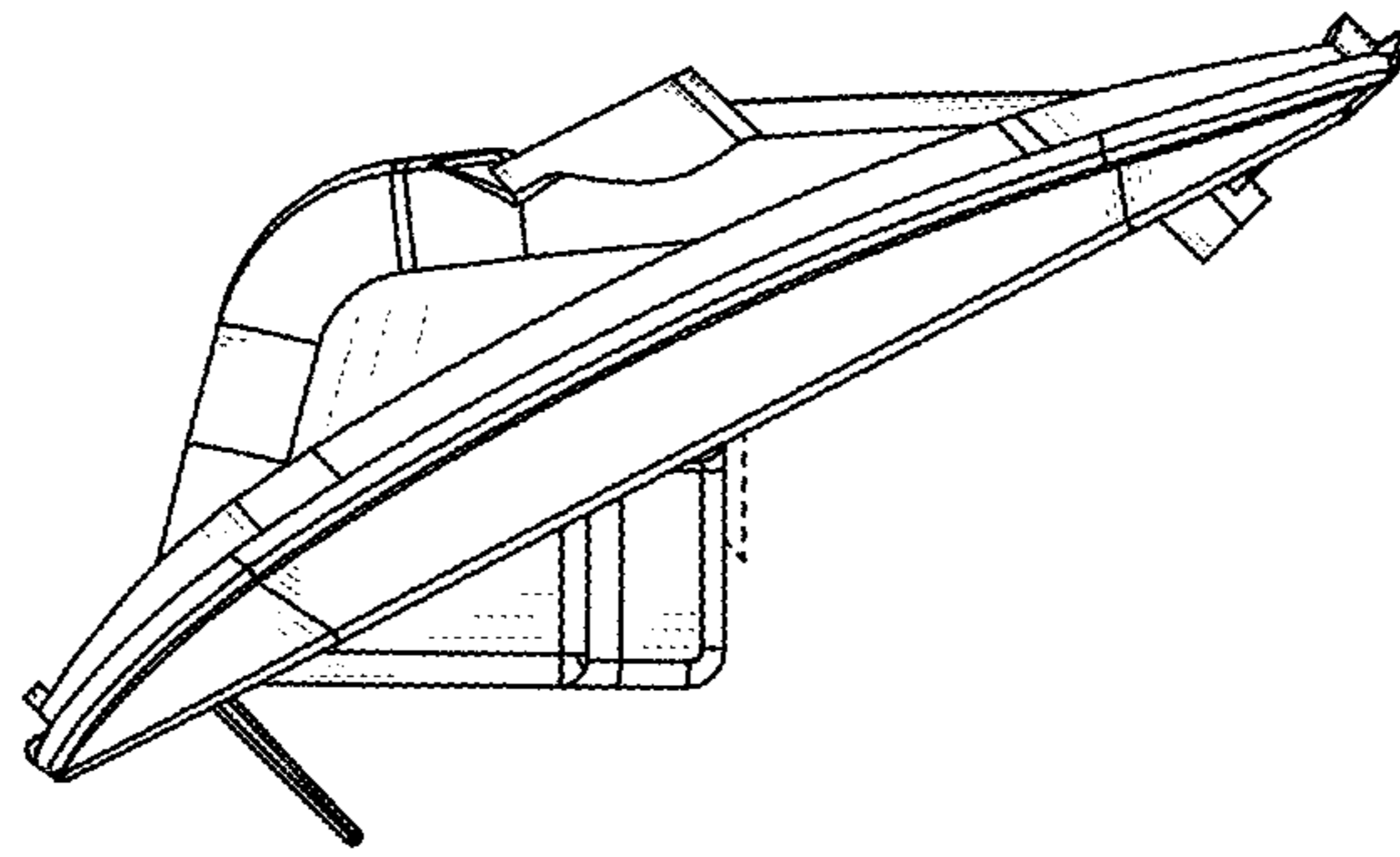


FIG. 7



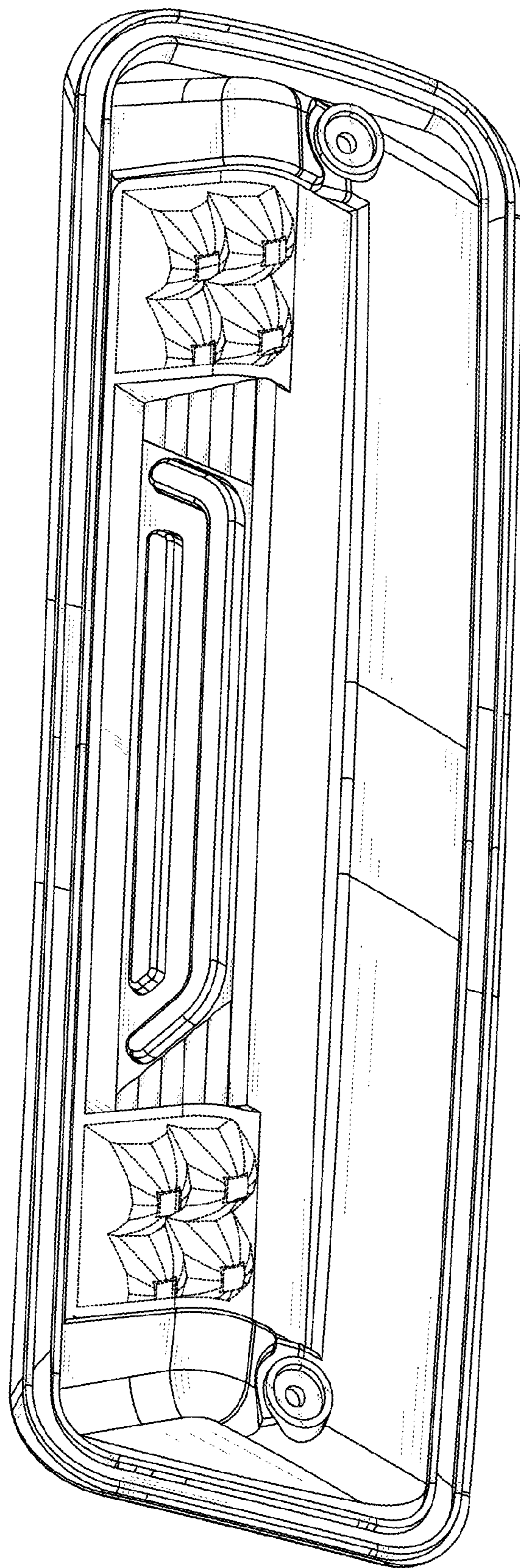


FIG. 8

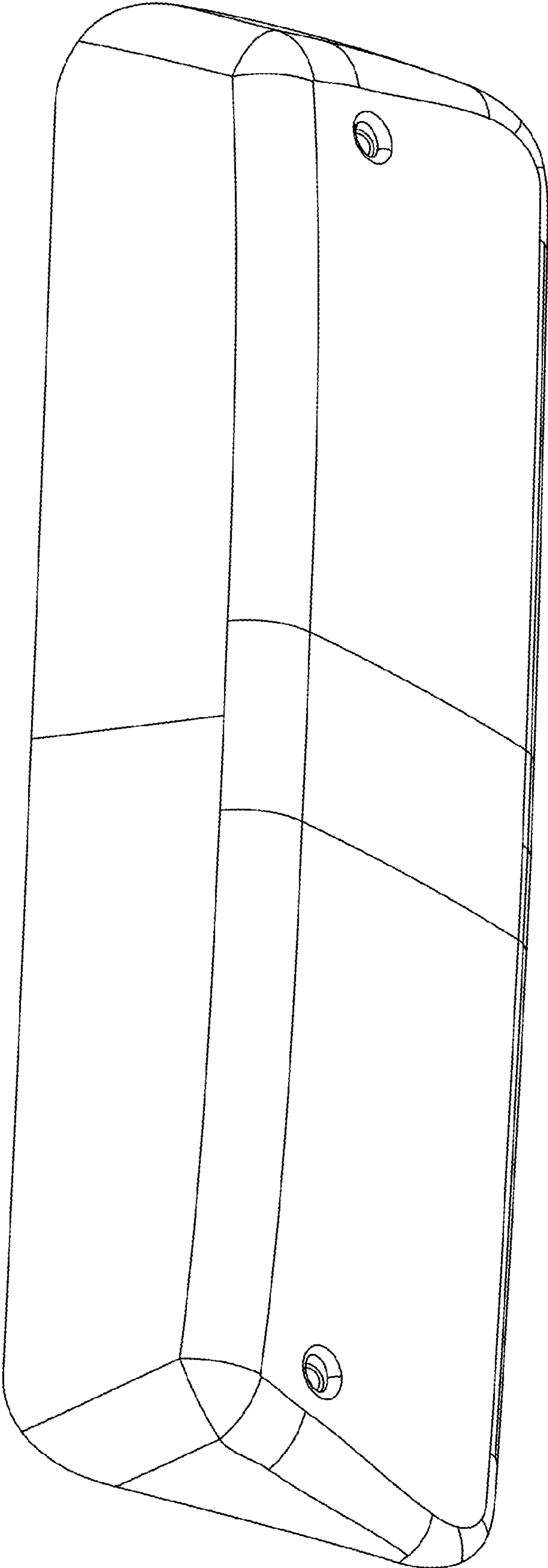


FIG. 9