



US00D889709S

(12) **United States Design Patent** (10) **Patent No.:** **US D889,709 S**
Lim et al. (45) **Date of Patent:** **** Jul. 7, 2020**

(54) **HEAD LAMP FOR AN AUTOMOBILE**

(56) **References Cited**

(71) Applicants: **Hyundai Motor Company**, Seoul (KR); **Kia Motors Corporation**, Seoul (KR)

U.S. PATENT DOCUMENTS

D604,874 S *	11/2009	Golden	D26/28
D744,678 S *	12/2015	Lai	D26/28
D745,725 S *	12/2015	McMahan	D26/28
D749,246 S *	2/2016	Thole	D26/28
D749,757 S *	2/2016	Han	D26/28
D759,275 S *	6/2016	Hwang	D26/28
D765,293 S *	8/2016	Schneider	D26/28
D807,547 S *	1/2018	Lin	D26/28
D823,497 S *	7/2018	Kim	D26/28
D842,511 S *	3/2019	Kang	D26/28
D867,636 S *	11/2019	Kong	D26/28
D868,322 S *	11/2019	Kong	D26/28
D868,323 S *	11/2019	Kim	D26/28
D868,324 S *	11/2019	Kim	D26/28
D872,917 S *	1/2020	Lee	D26/28
D874,042 S *	1/2020	Lee	D26/28

(72) Inventors: **Dae Hwan Lim**, Ansan-si (KR); **Byung Ho Kong**, Hwaseong-si (KR)

(73) Assignees: **Hyundai Motor Company**, Seoul (KR); **Kia Motors Corporation**, Seoul (KR)

(**) Term: **15 Years**

(21) Appl. No.: **35/506,873**

(22) Filed: **Dec. 7, 2018**

(80) **Hague Agreement Data**

Int. Filing Date: **Dec. 7, 2018**
Int. Reg. No.: **DM/200331**
Int. Reg. Date: **Dec. 7, 2018**
Int. Reg. Pub. Date: **Jun. 14, 2019**

(51) **LOC (12) Cl.** **26-06**

(52) **U.S. Cl.**
USPC **D26/28**

(58) **Field of Classification Search**
USPC D26/28
CPC F21S 48/00; F21S 48/10; F21S 48/115;
F21S 48/225; F21S 48/1233; F21S
48/1266; F21S 48/1388; F21S 48/2266;
F21V 21/04; B60Q 1/30; B60Q 1/2607;
B60Q 1/2696; B62J 6/00; B62J 6/04

See application file for complete search history.

* cited by examiner

Primary Examiner — Natasha Vujcic
(74) *Attorney, Agent, or Firm* — Mintz Levin Cohn Ferris
Glovsky and Popeo, P.C.; Peter F. Corless; Carolina E.
Säve

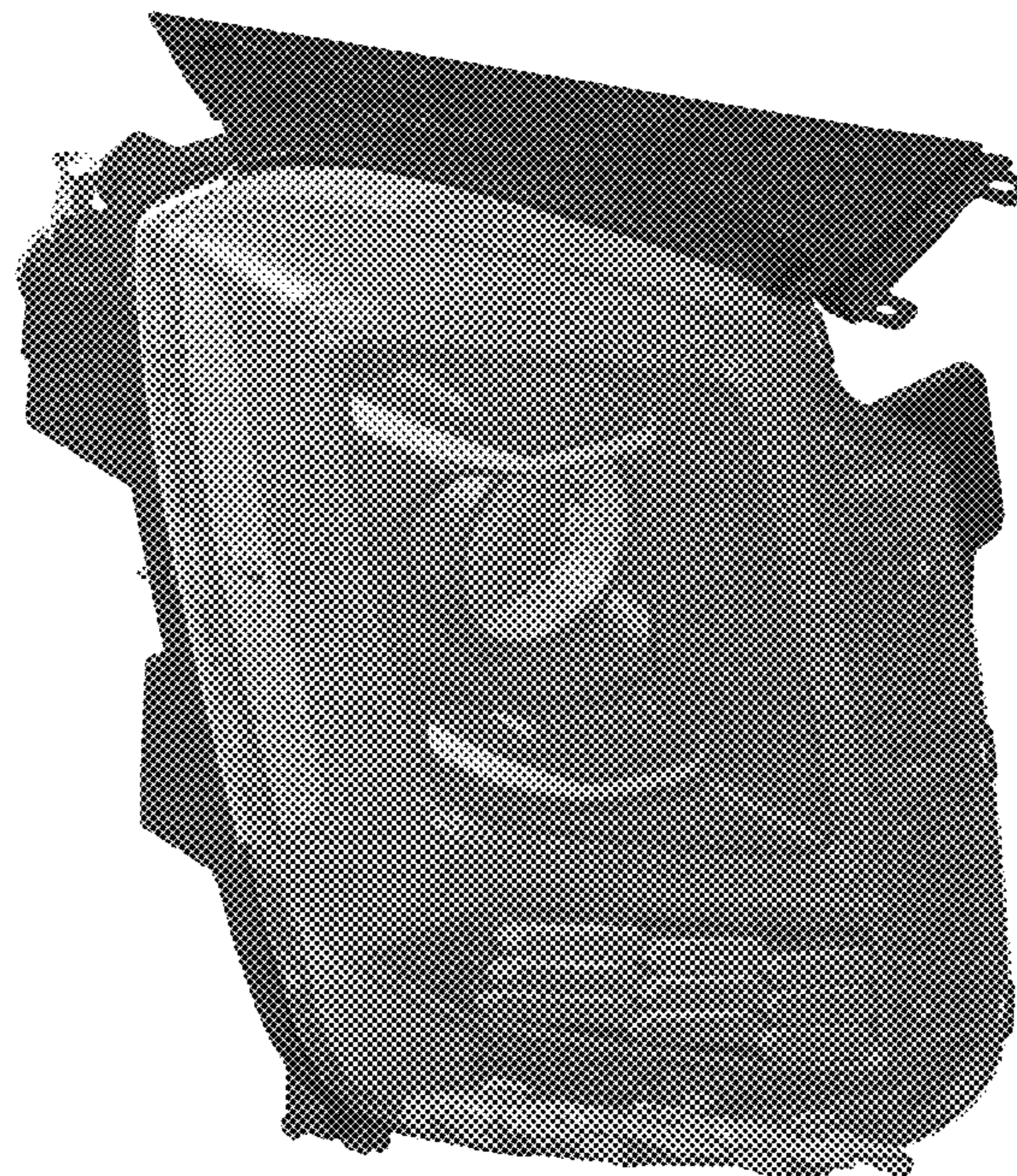
(57) **CLAIM**

The ornamental design for a head lamp for an automobile,
as shown and described.

DESCRIPTION

1. Head lamp for an automobile
- 1.1 is a front view.
- 1.2 is a front perspective view.
- 1.3 is a rear view.
- 1.4 is a top view.
- 1.5 is a bottom view.
- 1.6 is a right side view.
- 1.7 is a left side view.

1 Claim, 7 Drawing Sheets



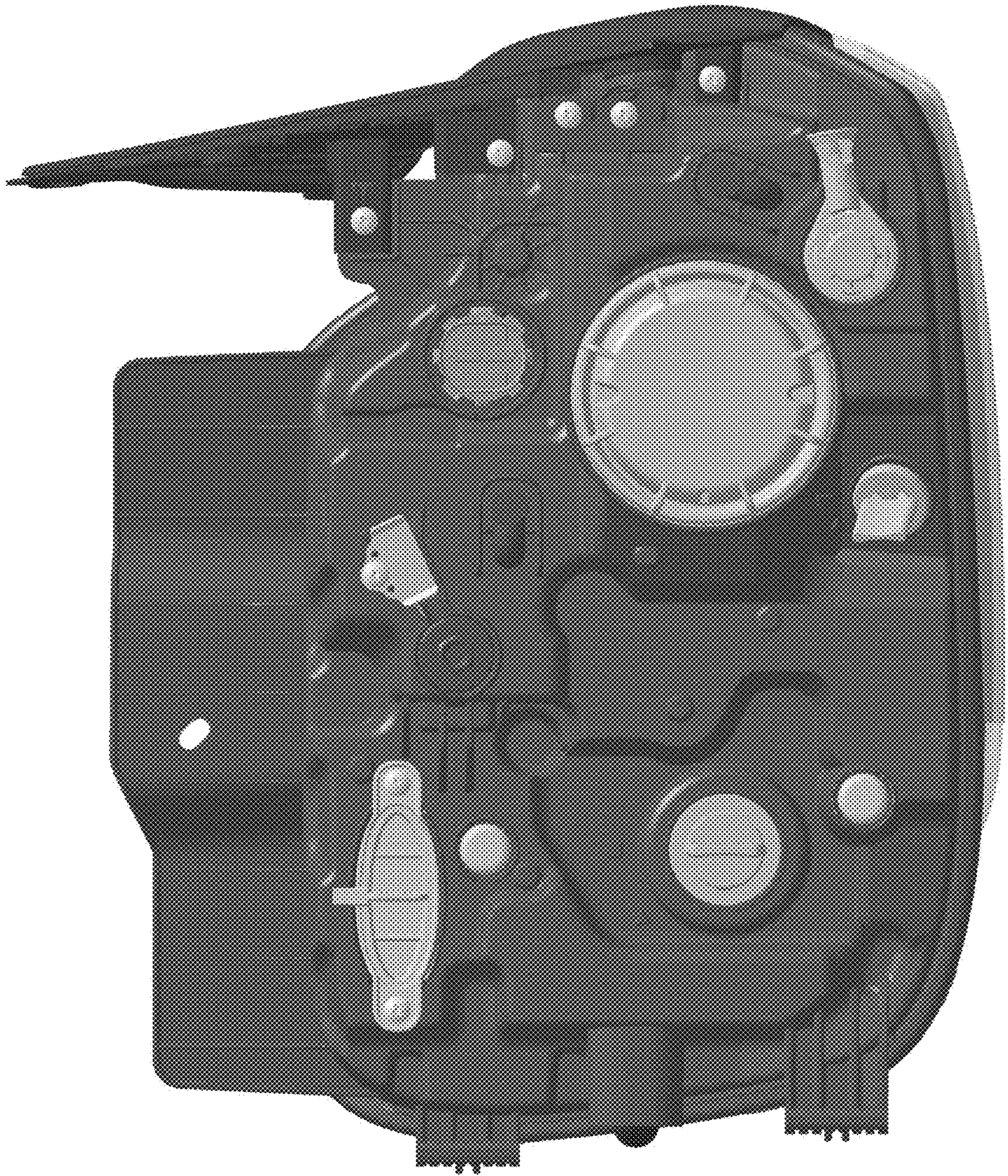
1.1



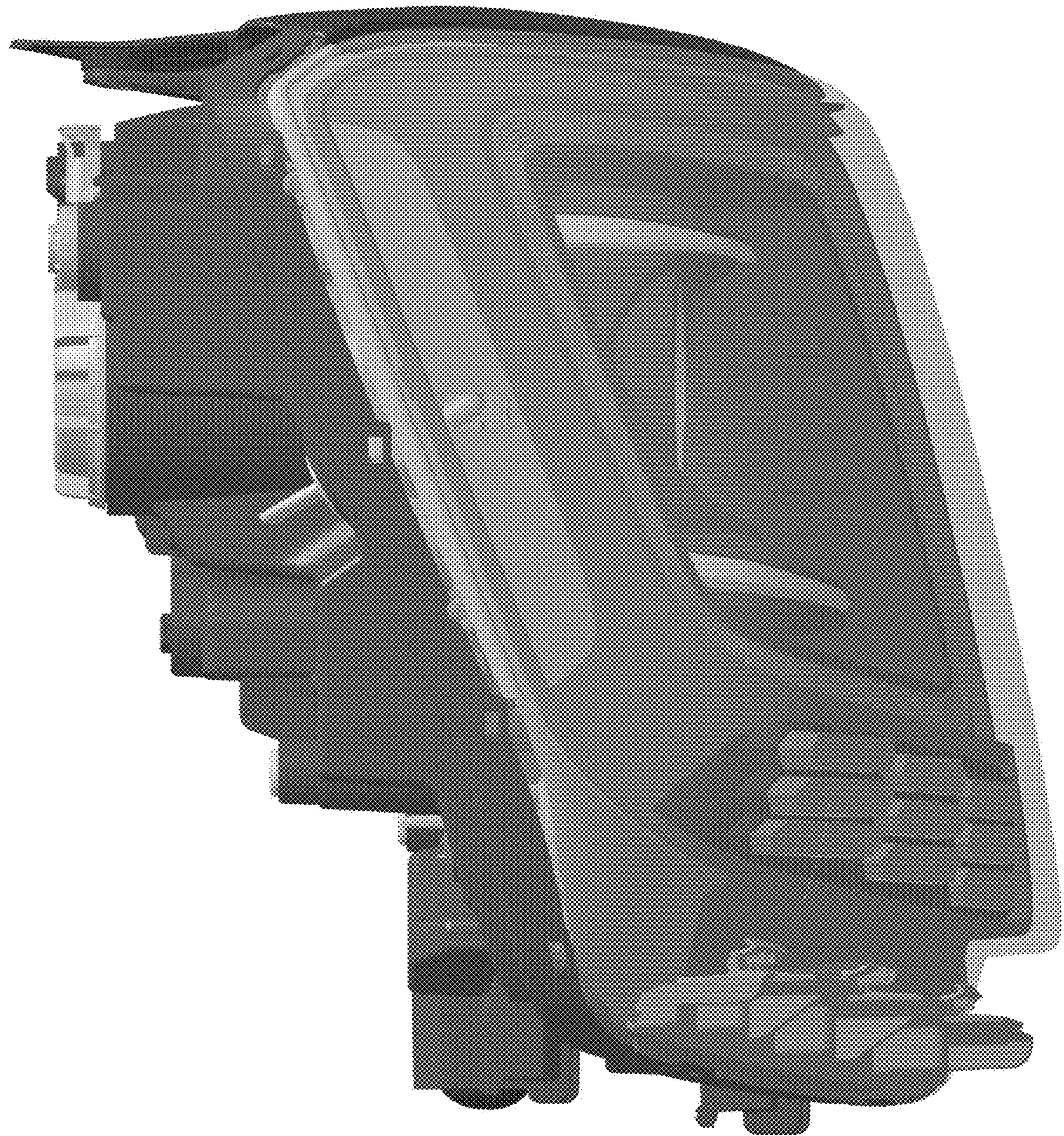
1.2



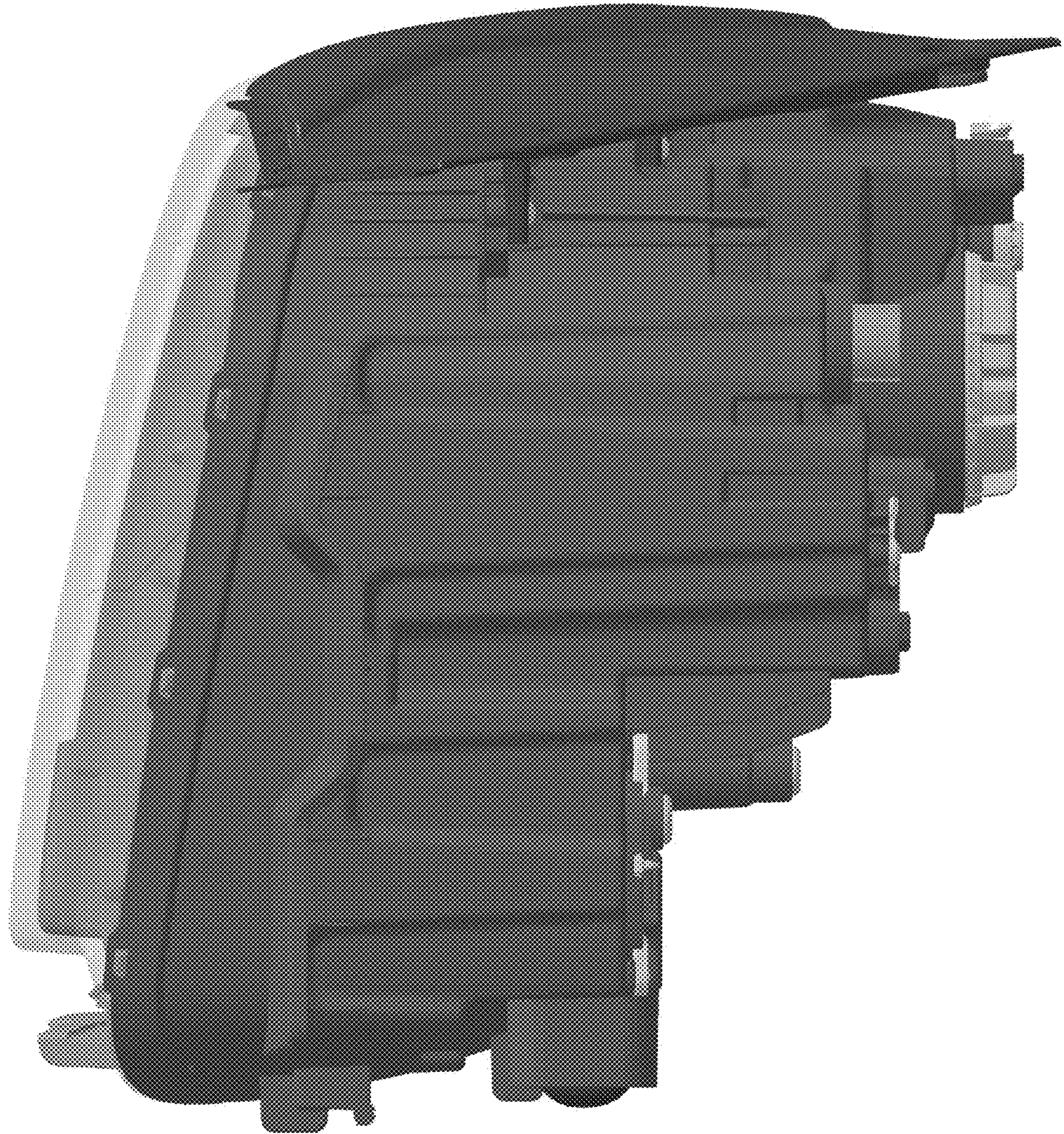
1.3



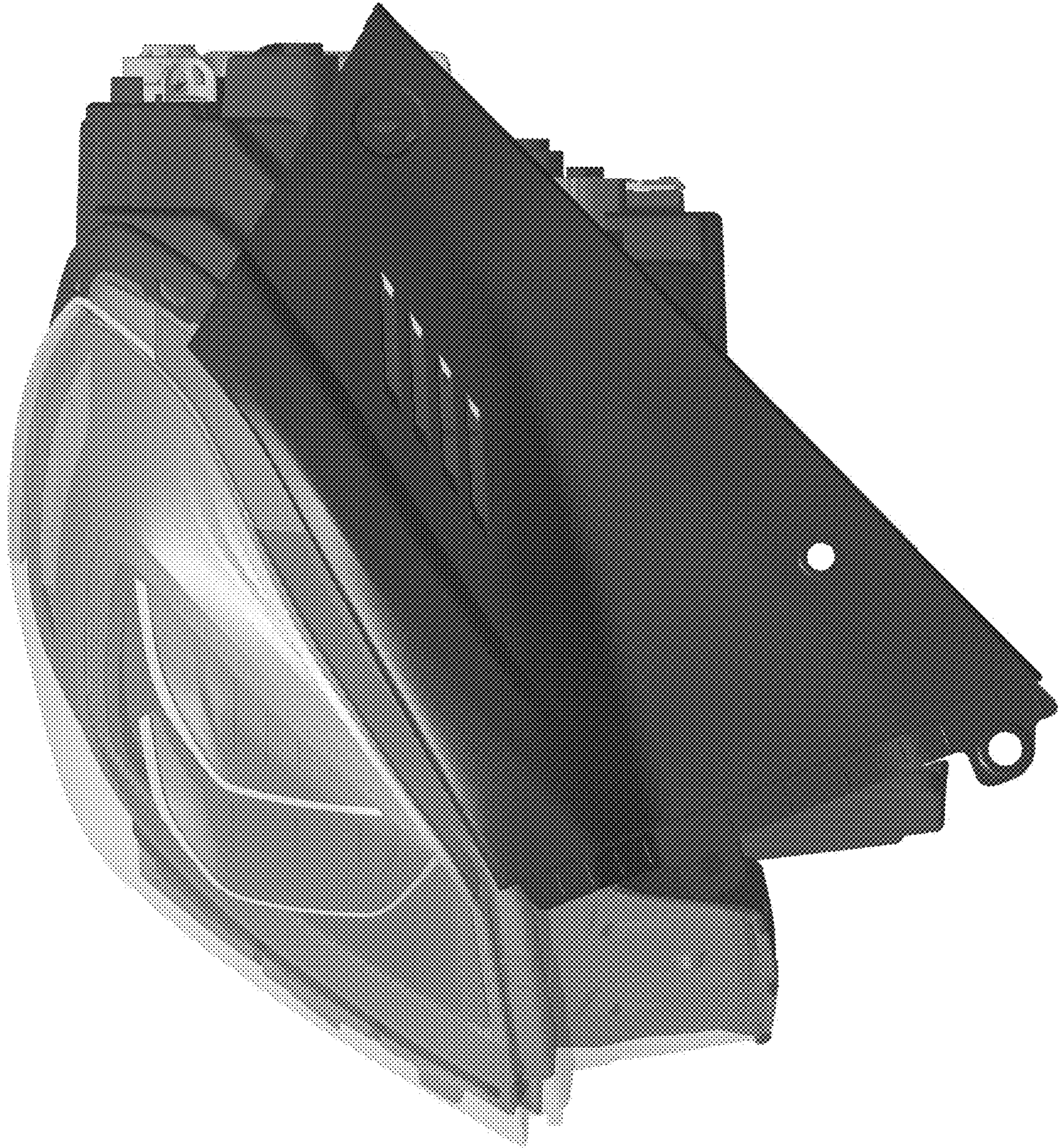
1.4



1.5



1.6



1.7

