



US00D889706S

(12) **United States Design Patent**
Hu

(10) **Patent No.:** **US D889,706 S**

(45) **Date of Patent:** **** Jul. 7, 2020**

(54) **LED TAILLIGHT FOR A MOTORCYCLE**

(71) Applicant: **Chun Hu**, Guangzhou (CN)

(72) Inventor: **Chun Hu**, Guangzhou (CN)

(**) Term: **15 Years**

(21) Appl. No.: **29/687,201**

(22) Filed: **Apr. 11, 2019**

(51) **LOC (12) Cl.** **26-06**

(52) **U.S. Cl.**
USPC **D26/28**

(58) **Field of Classification Search**
USPC D26/28-36, 139
CPC F21S 48/00; F21S 48/10; F21S 48/115;
F21S 48/225; F21S 48/1233; F21S
48/1266; F21S 48/1388; F21S 48/2268;
F21V 21/04; F21V 29/004; B60Q 9/13;
B60Q 9/135; B60Q 9/1375

See application file for complete search history.

(56) **References Cited**

U.S. PATENT DOCUMENTS

D596,767 S *	7/2009	Idei	D26/28
D600,374 S *	9/2009	Brew	D26/28
D601,728 S *	10/2009	Kogo	D26/28
D605,793 S *	12/2009	Weil	D26/28
D617,021 S *	6/2010	Ishiguri	D26/28
D693,038 S *	11/2013	Kojima	D26/28

* cited by examiner

Primary Examiner — Marcus A Jackson

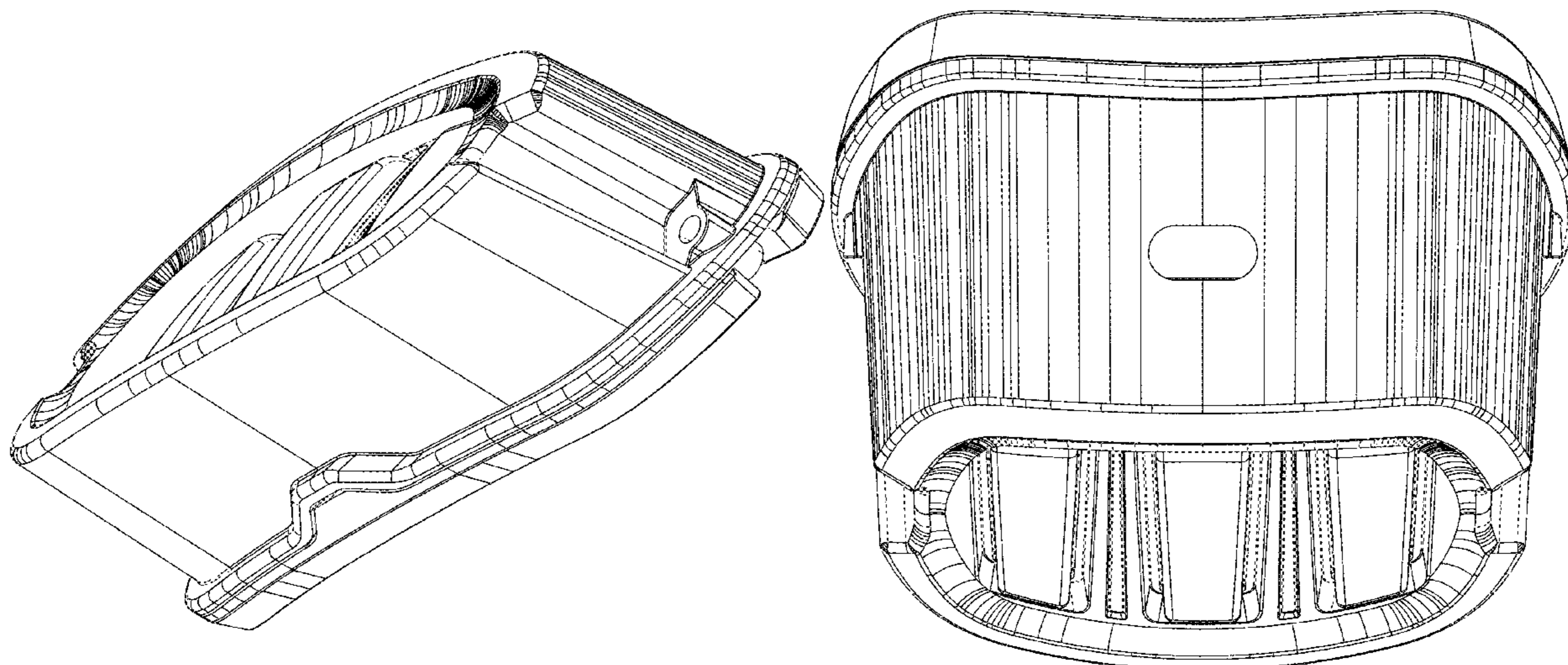
(57) **CLAIM**

The ornamental design for LED taillight for a motorcycle, as shown and described.

DESCRIPTION

FIG. 1 to FIG. 8 are eight views from eight directions.

1 Claim, 8 Drawing Sheets



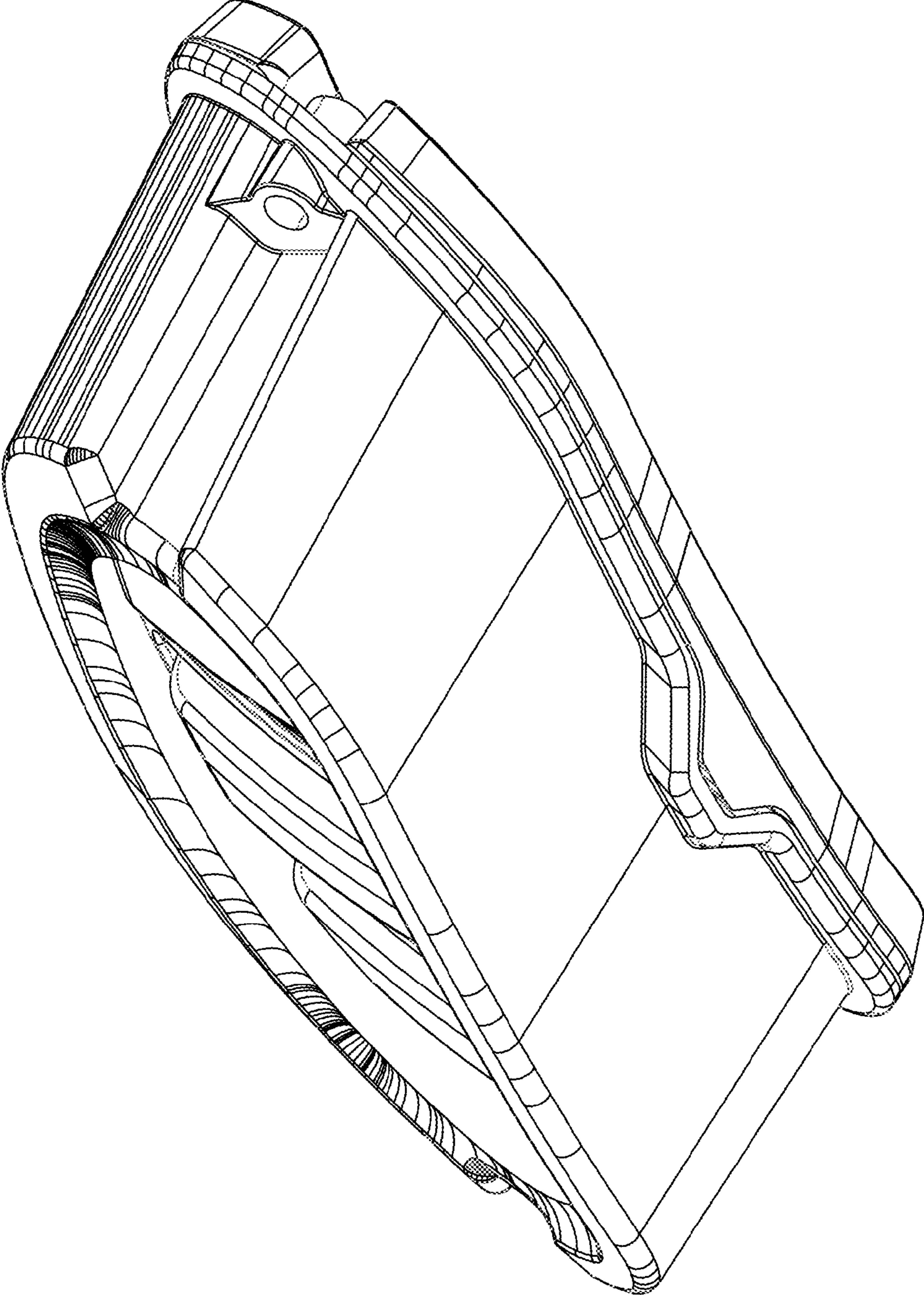


FIG. 1

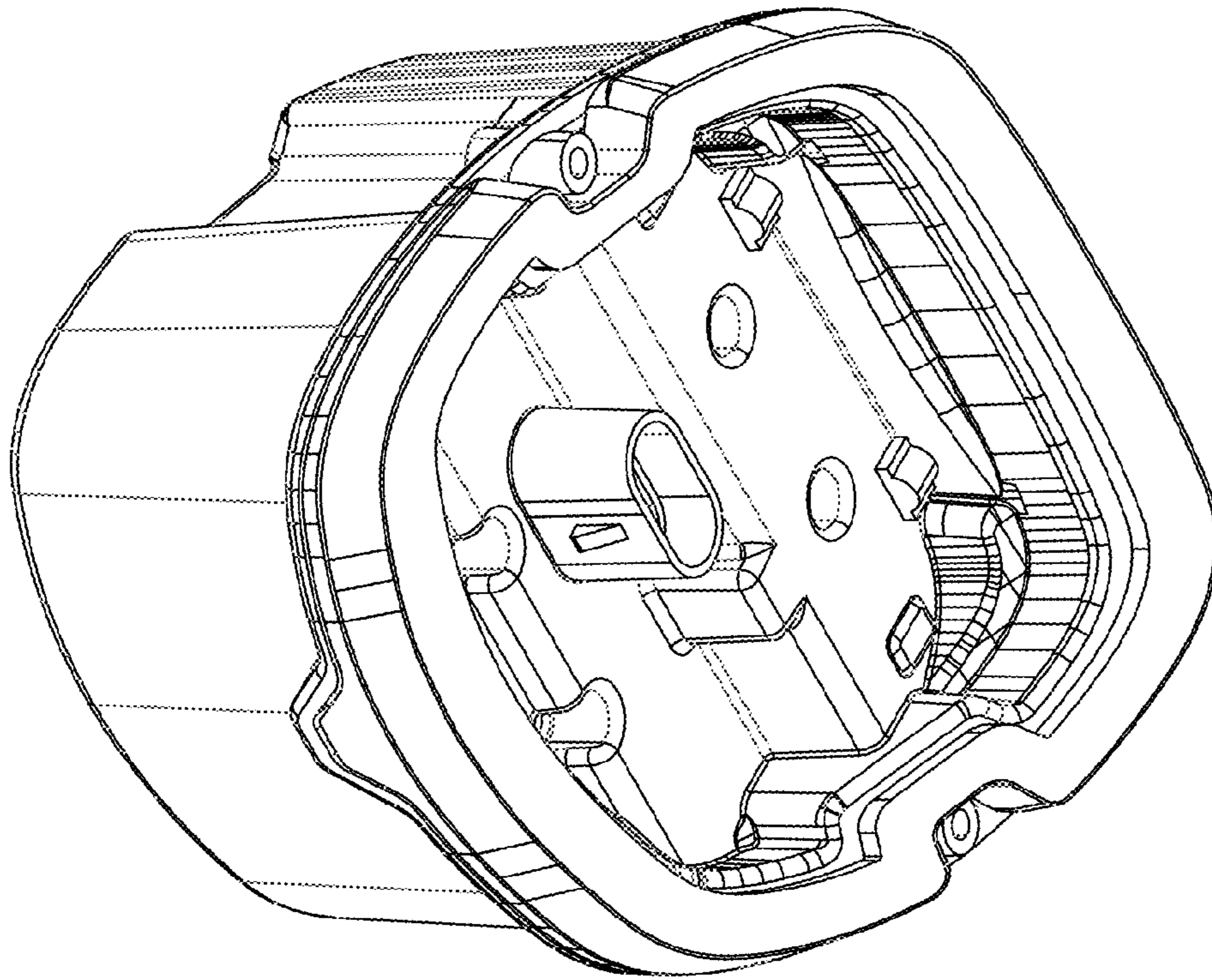


FIG. 2

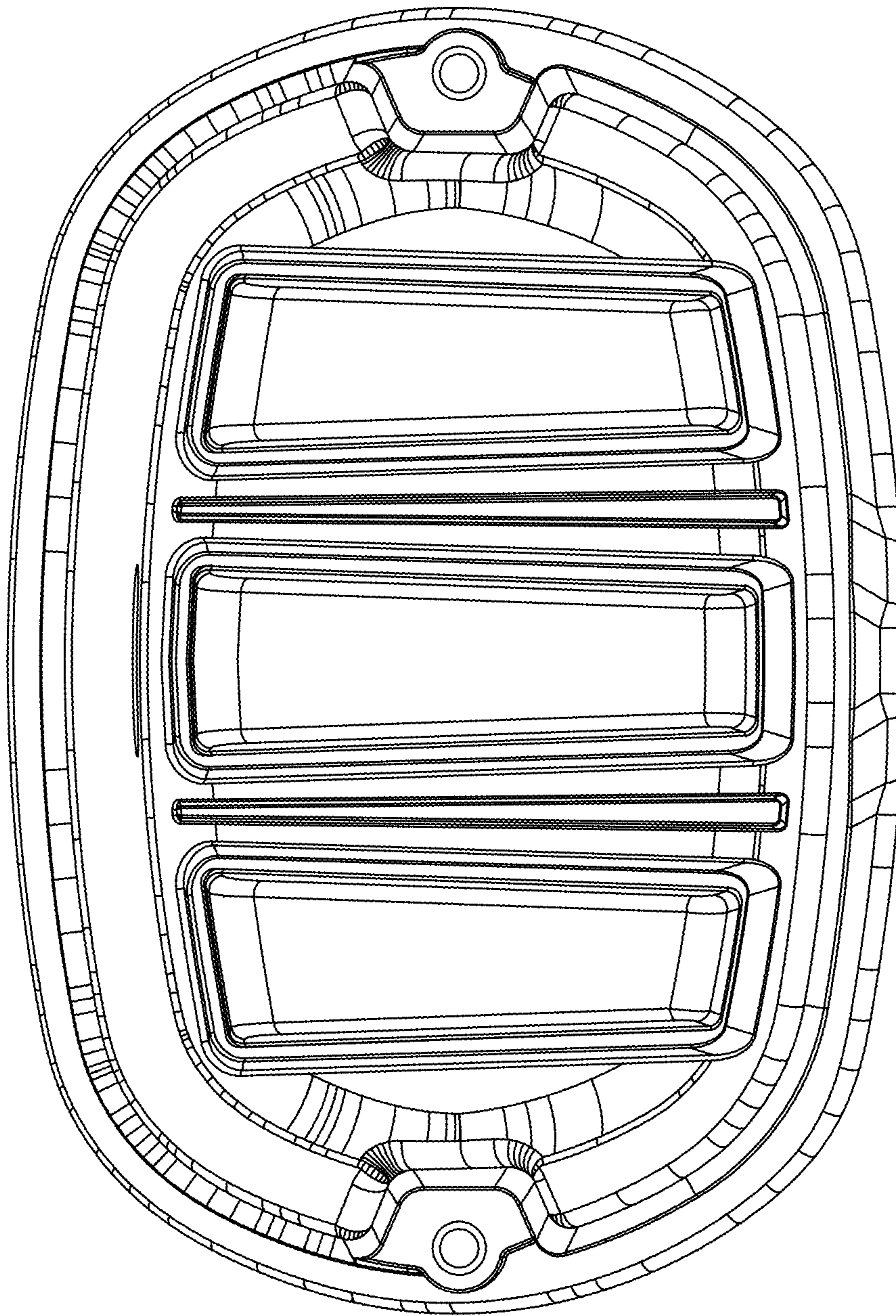


FIG. 3

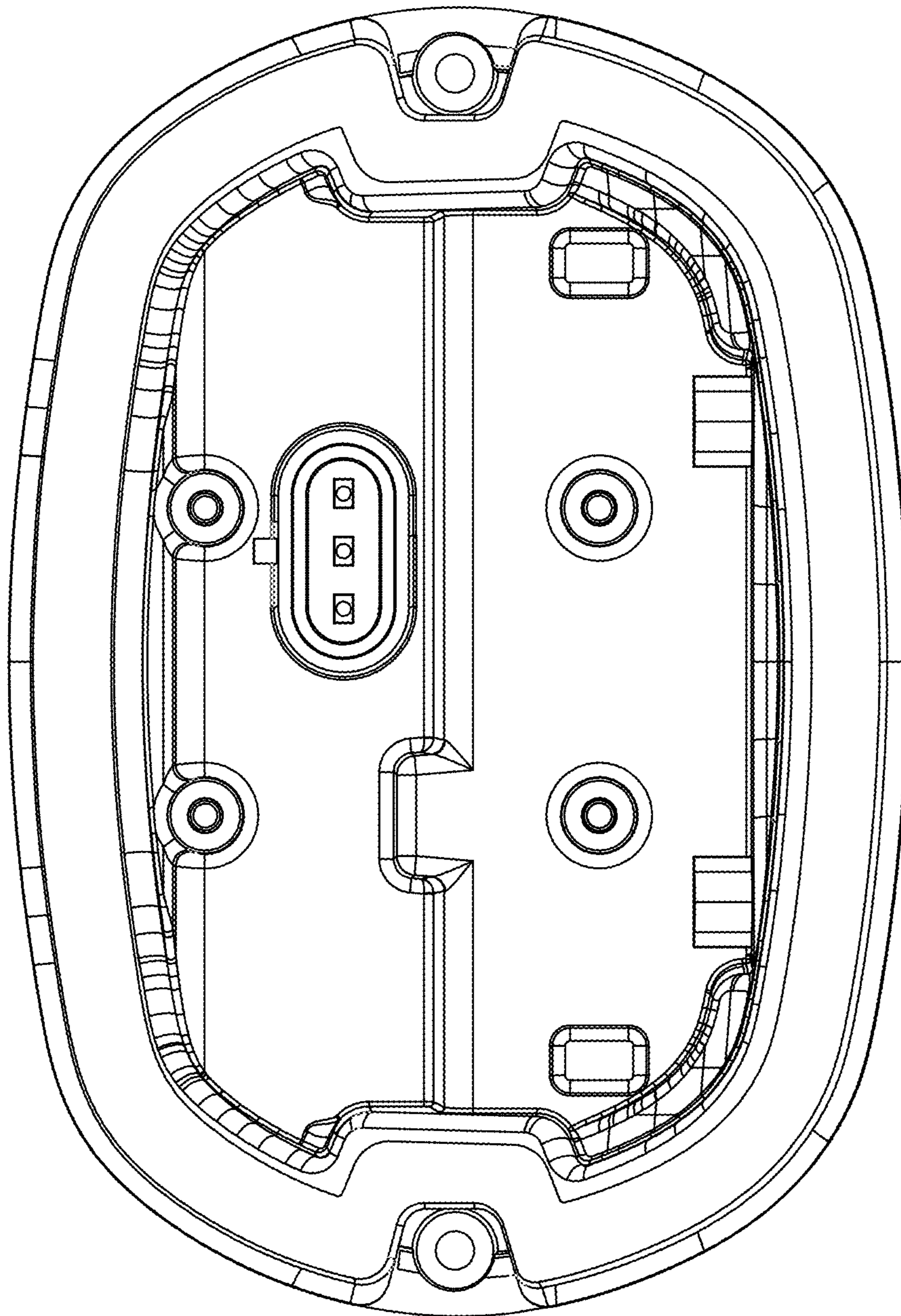


FIG.4

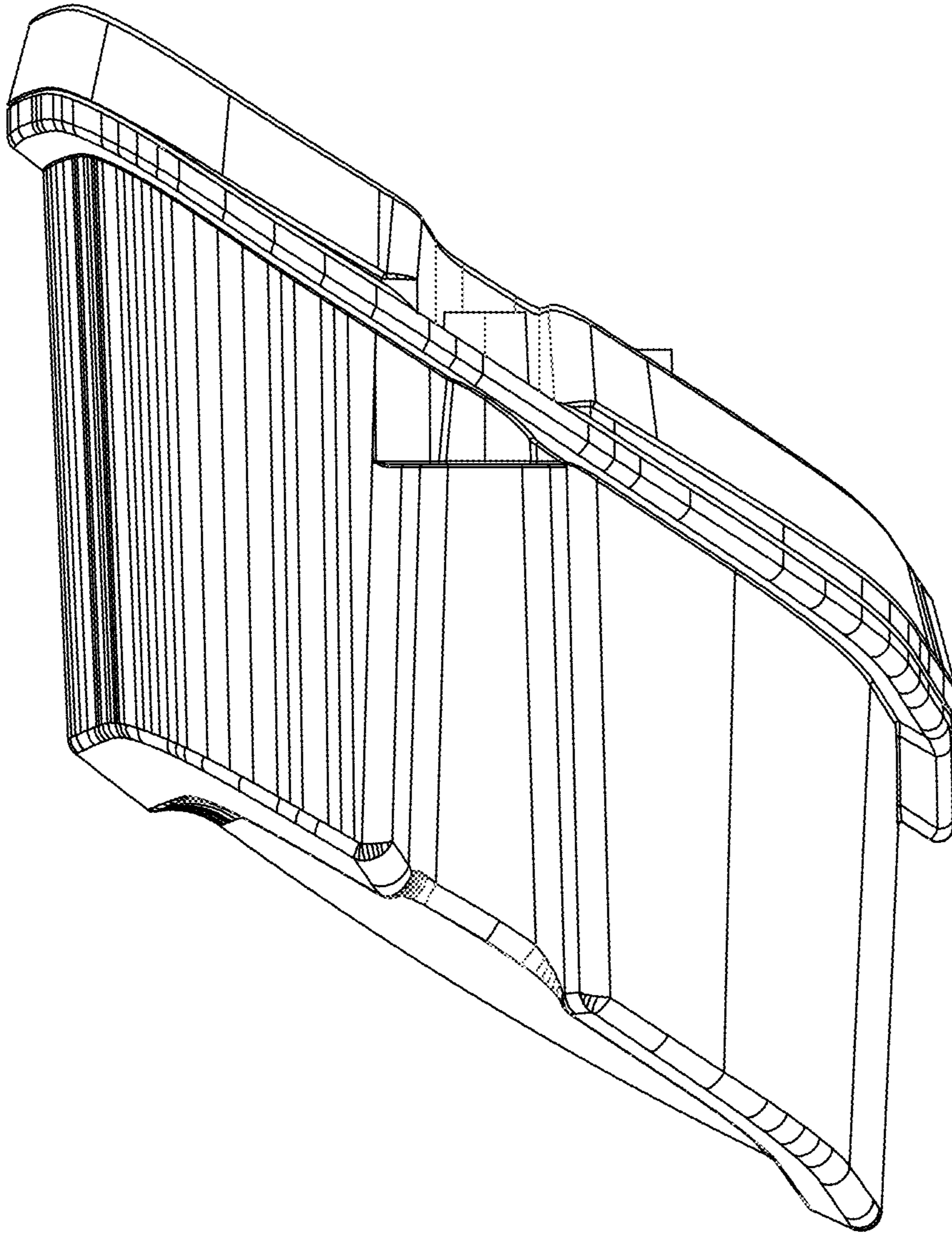


FIG. 5

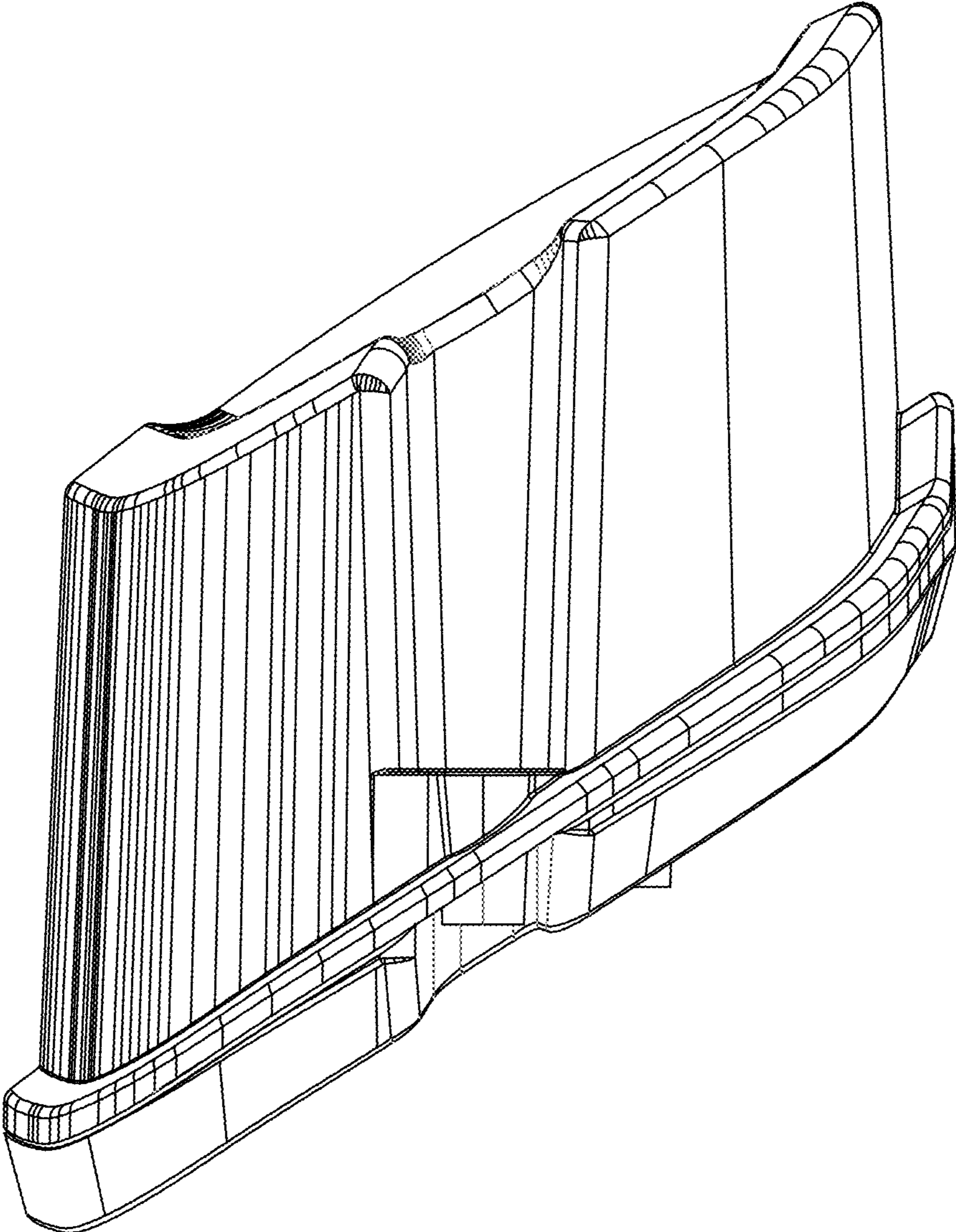


FIG. 6

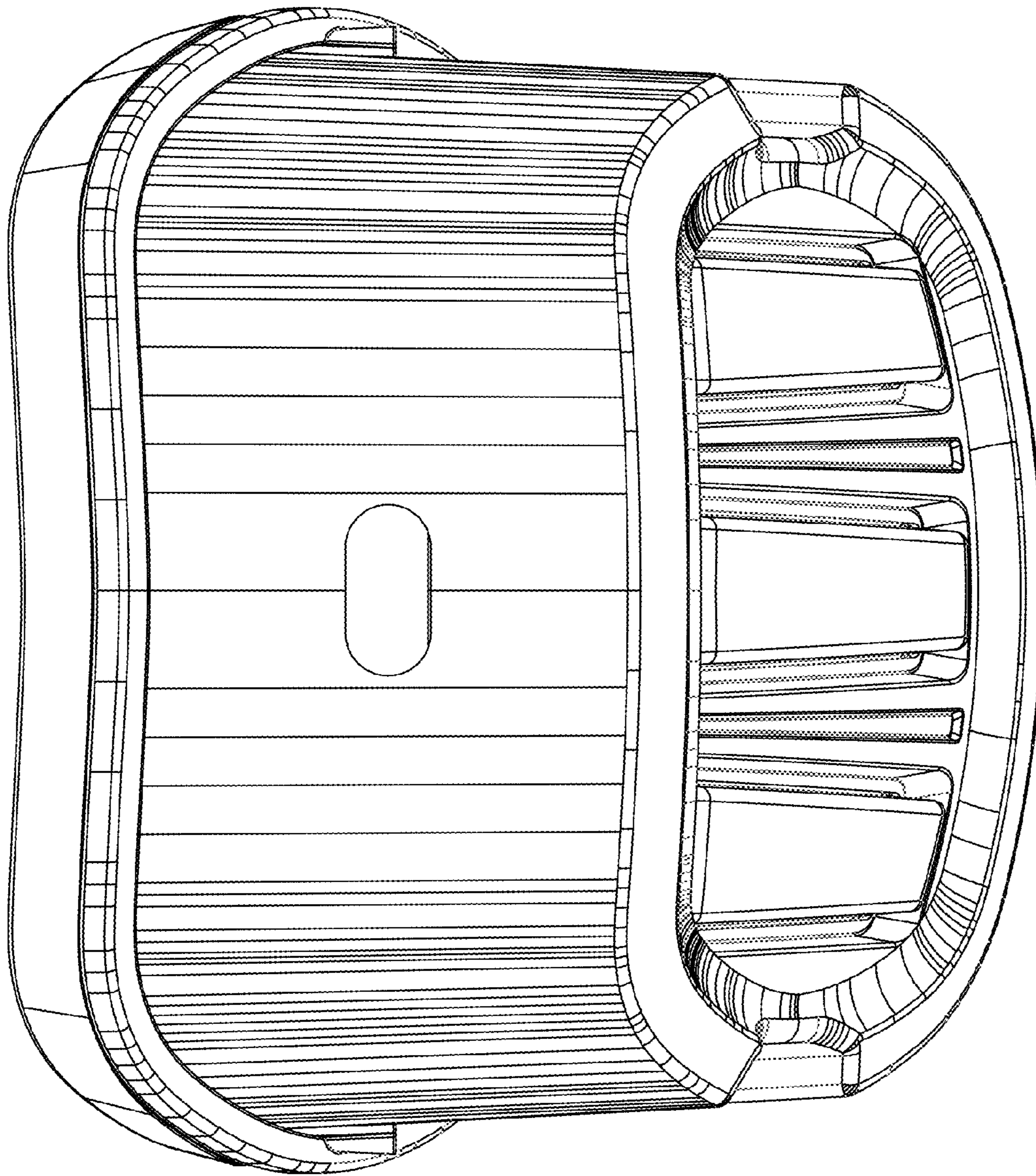


FIG. 7

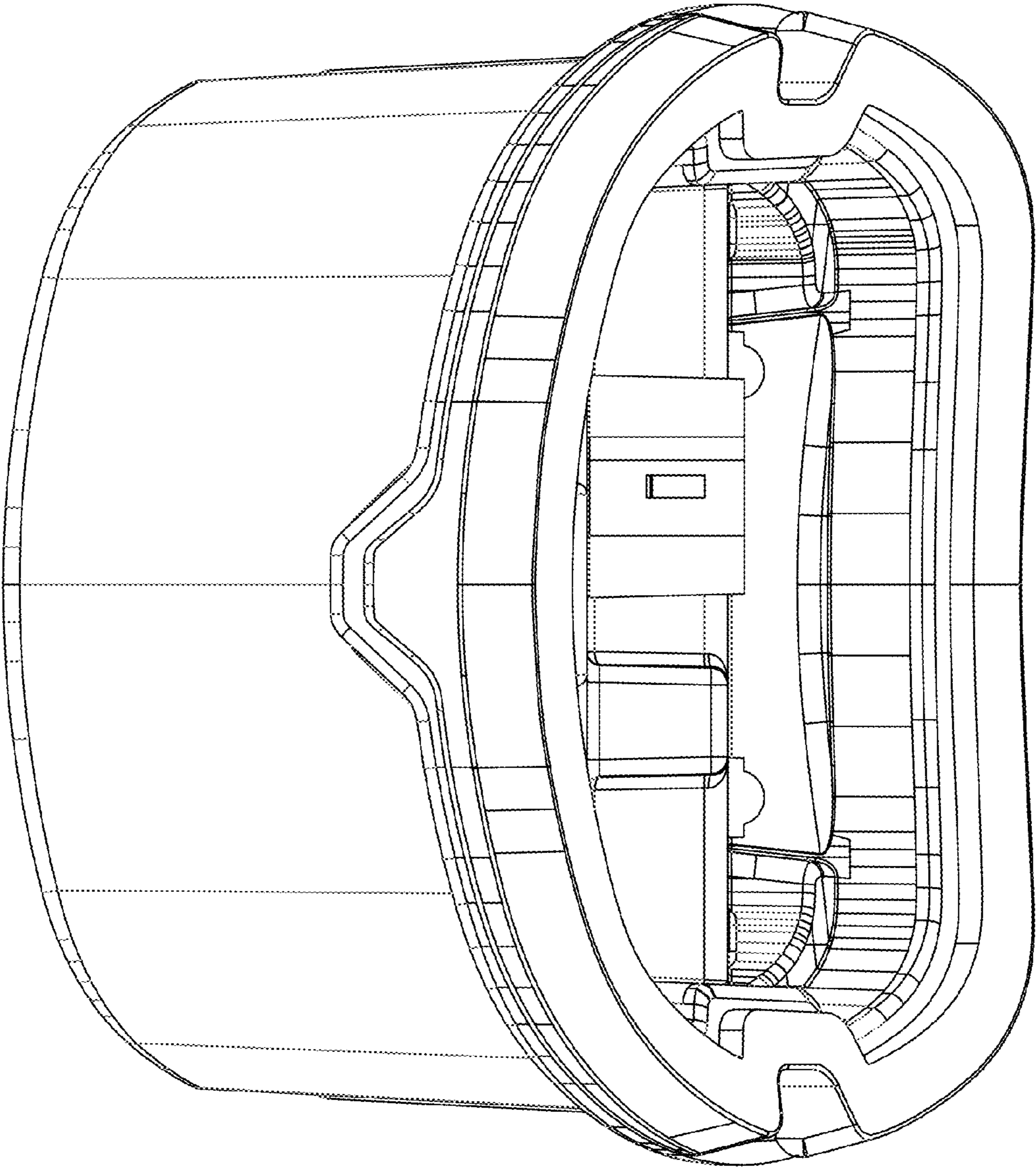


FIG. 8