



US00D889701S

(12) **United States Design Patent**
Matsuno

(10) **Patent No.:** **US D889,701 S**

(45) **Date of Patent:** **** Jul. 7, 2020**

(54) **REAR COMBINATION LAMP FOR A MOTOR VEHICLE**

D701,631 S * 3/2014 Goto D26/28
D716,478 S * 10/2014 Loeb D26/28
D728,137 S * 4/2015 Ha D26/28

(71) Applicant: **Keisuke Matsuno**, Nagoya (JP)

(72) Inventor: **Keisuke Matsuno**, Nagoya (JP)

(73) Assignee: **Toyota Jidosha Kabushiki Kaisha**,
Toyota-shi, Aichi-ken (JP)

(**) Term: **15 Years**

(21) Appl. No.: **29/680,572**

(22) Filed: **Feb. 18, 2019**

(30) **Foreign Application Priority Data**

Aug. 22, 2018 (JP) 2018-018197

(51) **LOC (12) Cl.** **26-06**

(52) **U.S. Cl.**
USPC **D26/28**

(58) **Field of Classification Search**

USPC D26/28-36, 139

CPC F21S 48/00; F21S 48/10; F21S 48/115;
F21S 48/225; F21S 48/1233; F21S
48/1266; F21S 48/1388; F21S 48/2268;
F21V 21/04; F21V 29/004; B60Q 9/13;
B60Q 9/135; B60Q 9/1375

See application file for complete search history.

(56) **References Cited**

U.S. PATENT DOCUMENTS

D655,429 S * 3/2012 Fushimi D26/28
D657,482 S * 4/2012 Kong D26/28
D692,599 S * 10/2013 Kim D26/28

OTHER PUBLICATIONS

Netcarshow.com; URL: https://www.netcarshow.com/lexus12017-lc_500/; Model: Lexus LC500 (2017); Mfg.: Toyota; available on at least Jan. 24, 2018.

Netcarshow.com; URL: <https://www.netcarshow.com/nissan/2014-note/>; Model: Nissan Note (2014); Mfg.: Nissan; available on at least Jan. 24, 2018.

* cited by examiner

Primary Examiner — Marcus A Jackson

(74) *Attorney, Agent, or Firm* — Finnegan, Henderson, Farabow, Garrett & Dunner, L.L.P.

(57) **CLAIM**

The ornamental design for a rear combination lamp for a motor vehicle, as shown and described.

DESCRIPTION

FIG. 1 is a front perspective view of a rear combination lamp for a motor vehicle showing my new design;

FIG. 2 is a front view thereof;

FIG. 3 is a rear view thereof;

FIG. 4 is a right side view thereof;

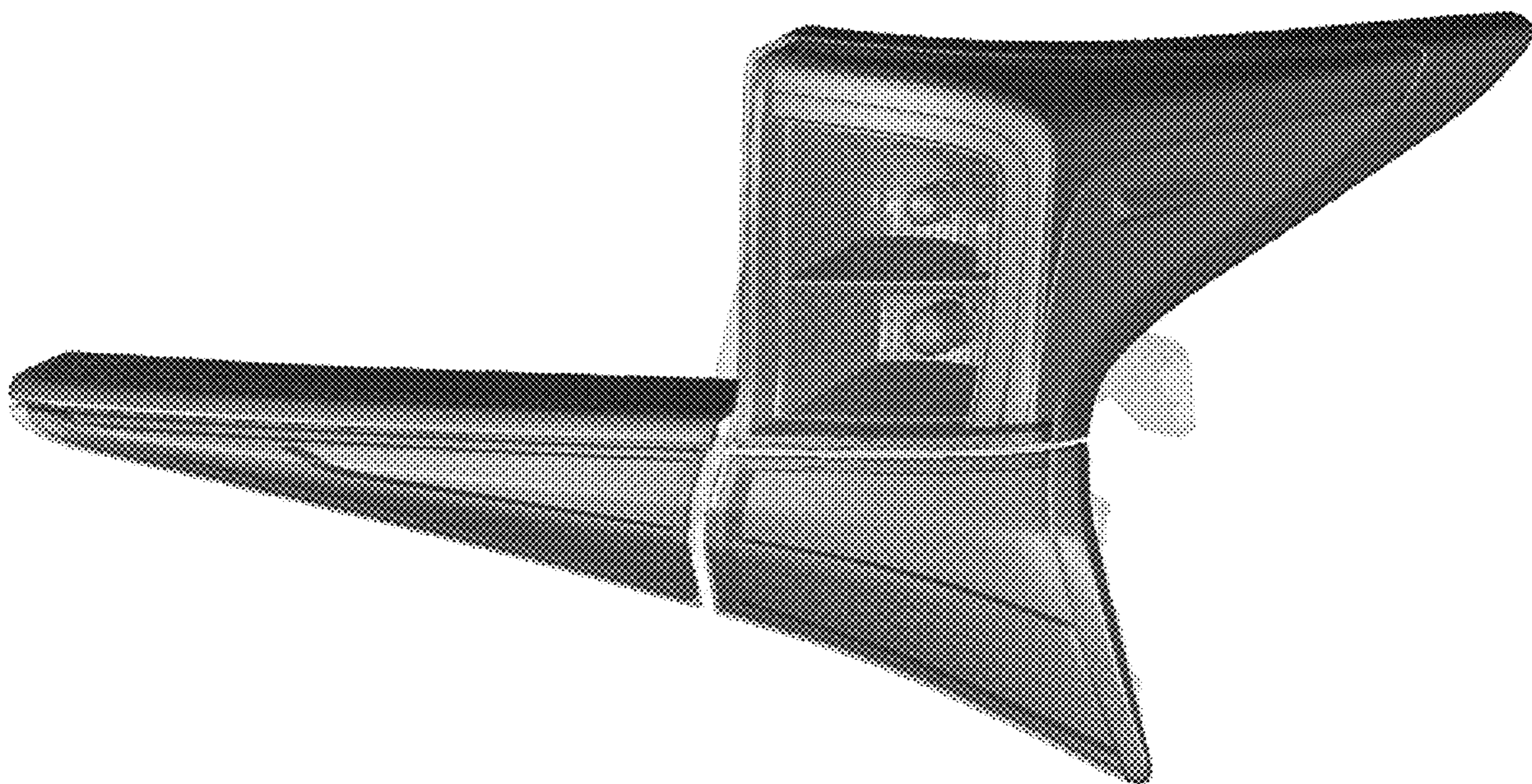
FIG. 5 is a left side view thereof;

FIG. 6 is a top view thereof; and,

FIG. 7 is a bottom view thereof.

My design includes a mirror image of the embodiment depicted. The de-emphasized and halftone portions shown in the photographs illustrate environmental structure for the rear combination lamp for a motor vehicle that forms no part of the claimed design.

1 Claim, 7 Drawing Sheets



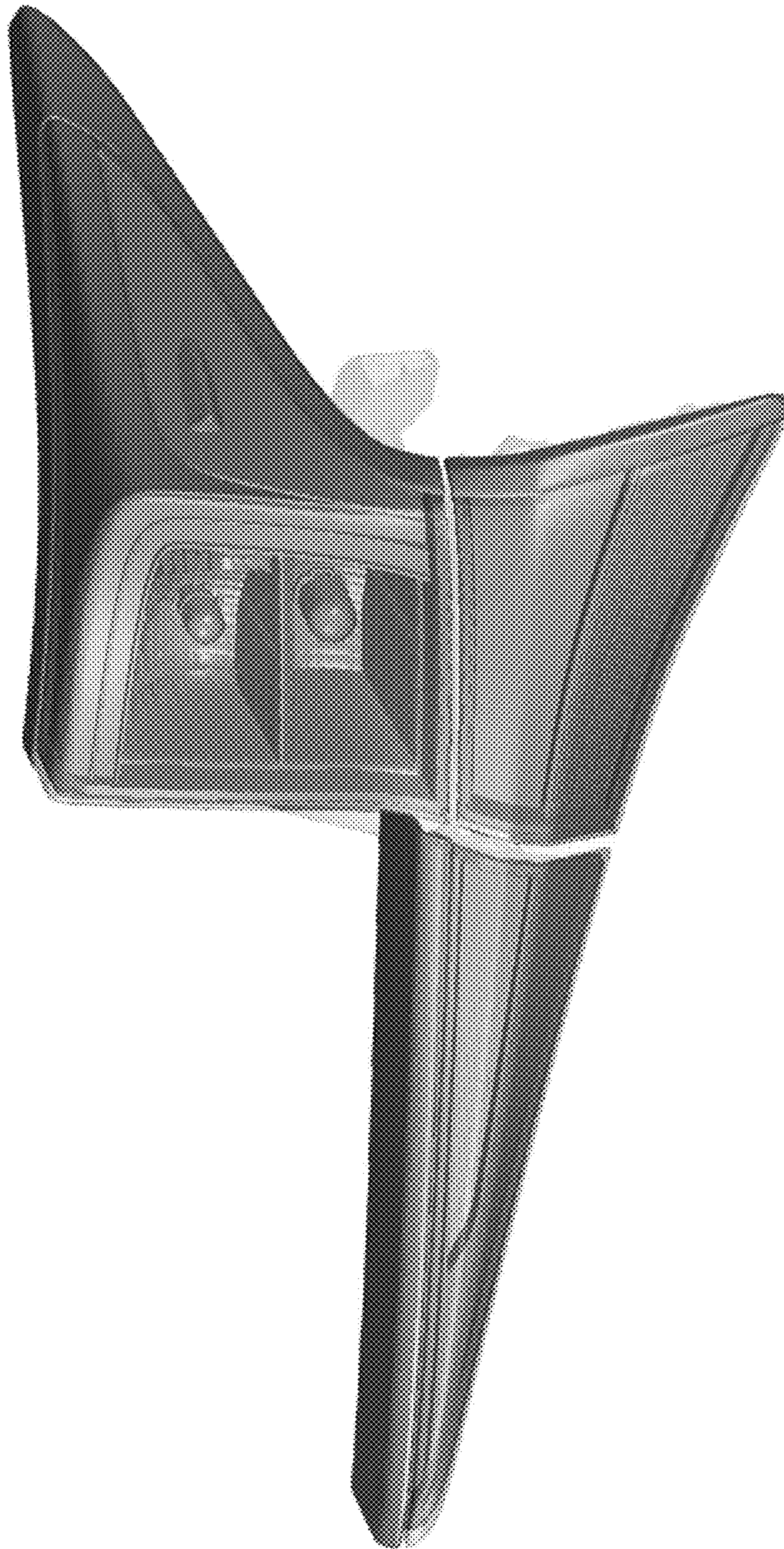


FIG. 1



FIG. 2

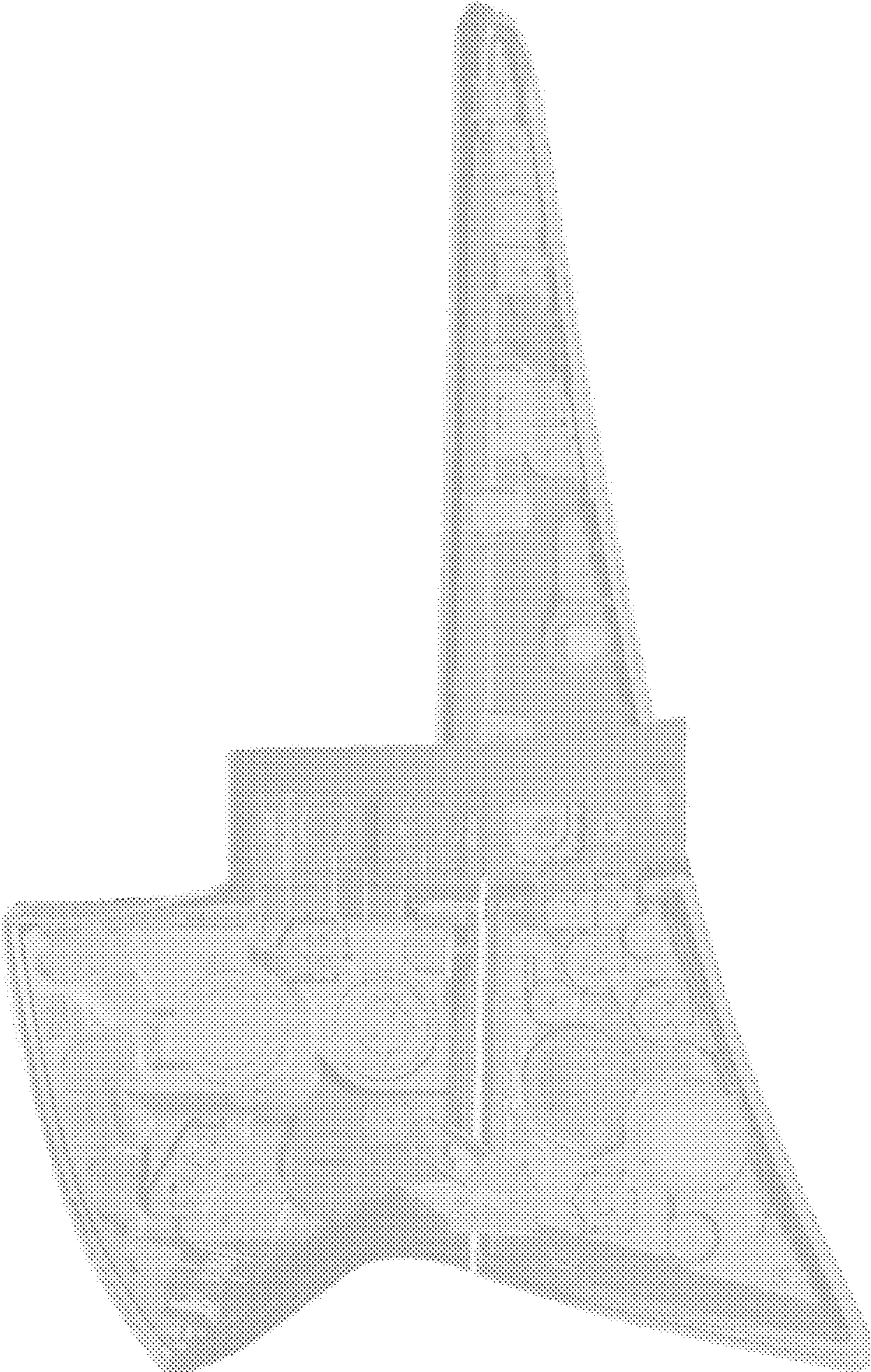


FIG. 3

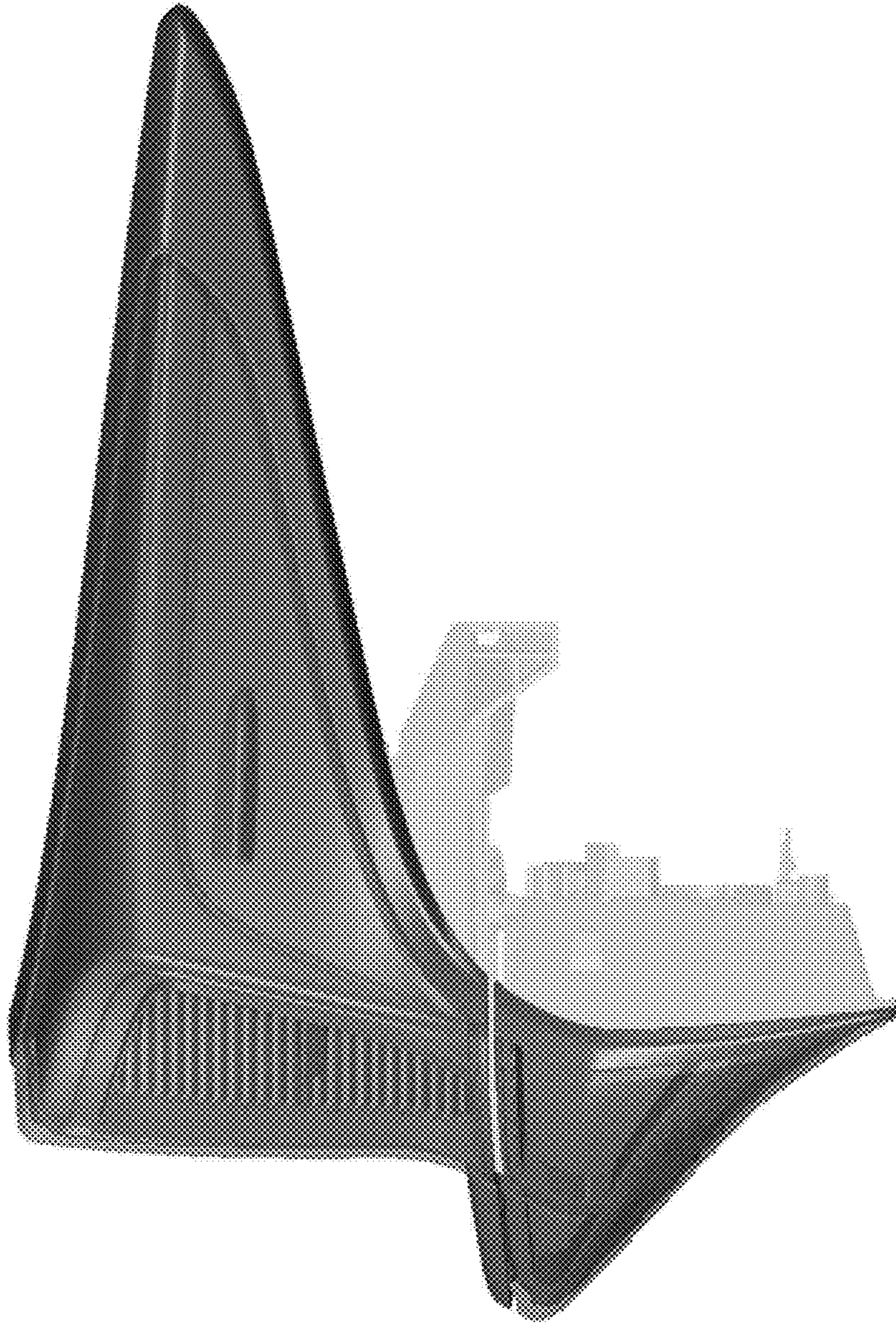


FIG. 4

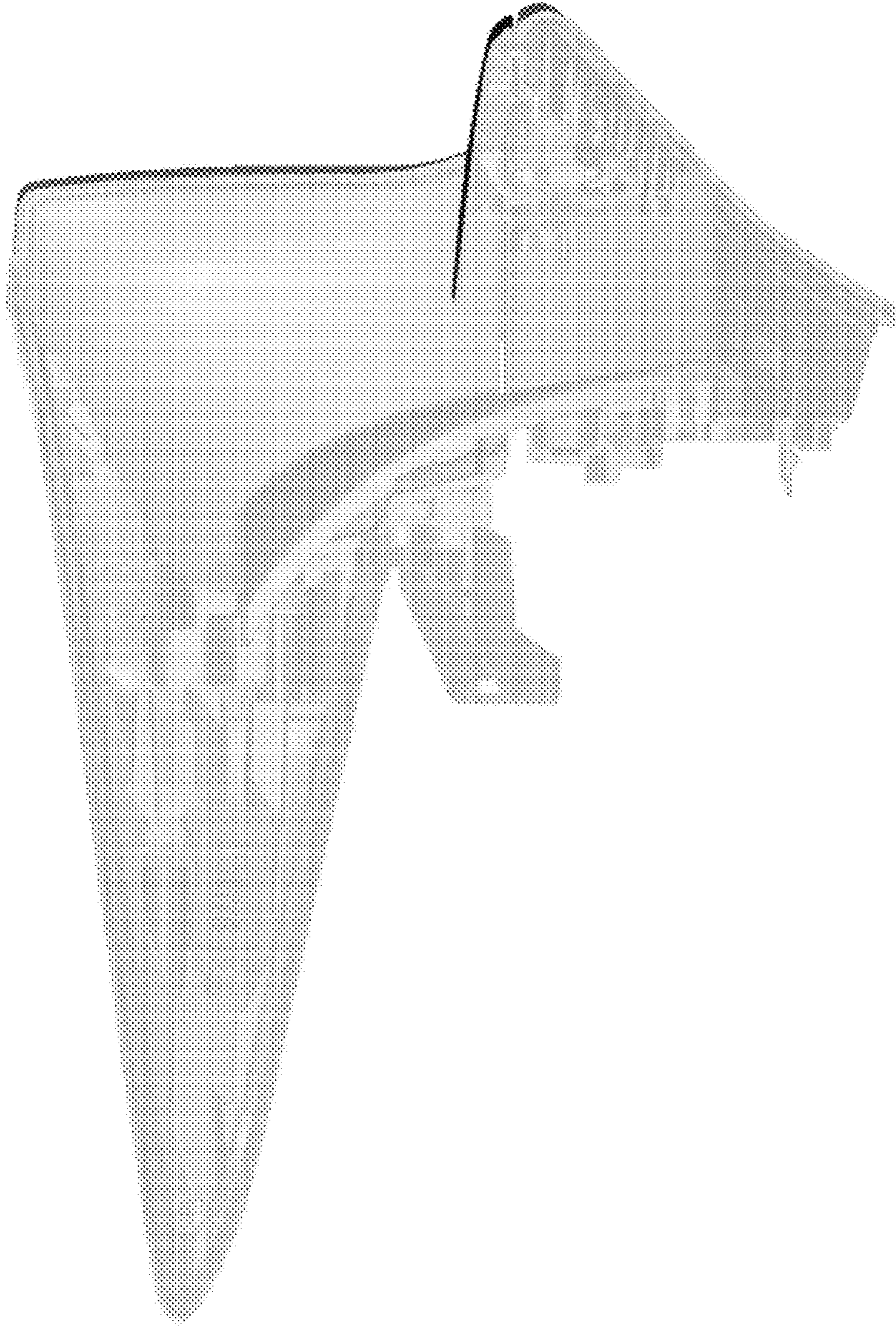


FIG. 5

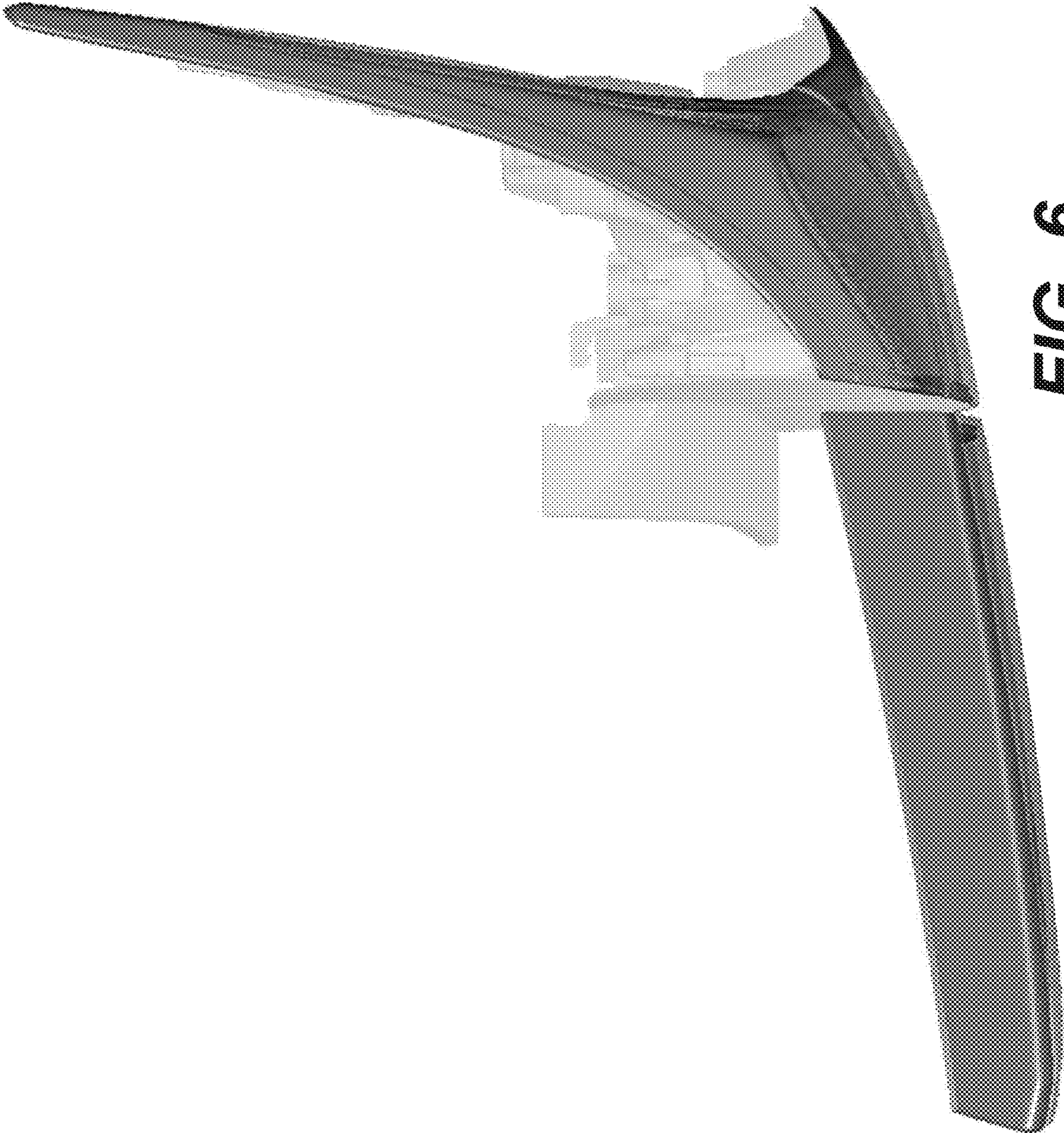


FIG. 6

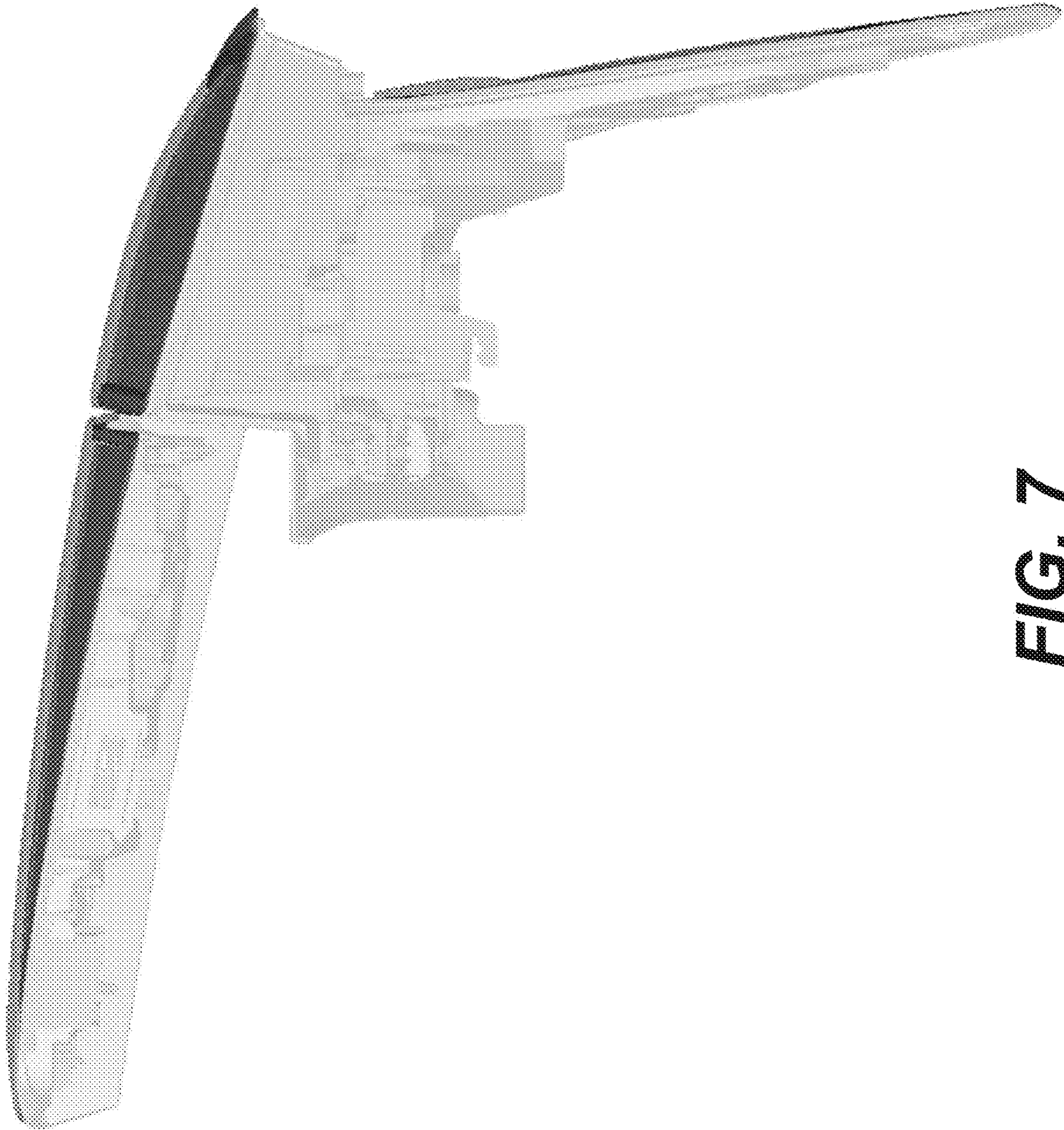


FIG. 7

UNITED STATES PATENT AND TRADEMARK OFFICE
CERTIFICATE OF CORRECTION

PATENT NO. : D889,701 S
APPLICATION NO. : 29/680572
DATED : July 7, 2020
INVENTOR(S) : Keisuke Matsuno

Page 1 of 1

It is certified that error appears in the above-identified patent and that said Letters Patent is hereby corrected as shown below:

On the Title Page

Column 2, approximately Line 3 thru 7, The "OTHER PUBLICATIONS" Section of Item (56) should read as follows:

Netcarshow.com; URL: https://www.netcarshow.com/lexus2017-lc_500/; Model: Lexus LC500 (2017); Mfg.: Toyota; available on at least Jan. 24, 2018.

Netcarshow.com; URL: <https://www.netcarshow.com/nissan/2014-note/>; Model: Nissan Note (2014); Mfg.: Nissan; available on at least Jan. 24, 2018.

Signed and Sealed this
Fourth Day of May, 2021



Drew Hirshfeld
*Performing the Functions and Duties of the
Under Secretary of Commerce for Intellectual Property and
Director of the United States Patent and Trademark Office*