



US00D889700S

(12) **United States Design Patent**
Wang et al.

(10) **Patent No.:** **US D889,700 S**
(45) **Date of Patent:** **** Jul. 7, 2020**

(54) **VEHICLE HEADLAMP**

(71) Applicant: **CH-AUTO TECHNOLOGY CO., LTD.**, Beijing (CN)
(72) Inventors: **Kejian Wang**, Beijing (CN); **Fanlei Meng**, Beijing (CN); **Julien Stephane Monborgne**, Beijing (CN)
(73) Assignee: **CH-AUTO TECHNOLOGY CO., LTD.**, Beijing (CN)

(**) Term: **15 Years**

(21) Appl. No.: **29/678,374**

(22) Filed: **Jan. 28, 2019**

(30) **Foreign Application Priority Data**

Jul. 30, 2018 (CN) 2018 3 0414087

(51) **LOC (12) Cl.** **26-06**

(52) **U.S. Cl.**
USPC **D26/28**

(58) **Field of Classification Search**
USPC D26/28-36, 139
CPC F21S 48/00; F21S 48/10; F21S 48/115;
F21S 48/225; F21S 48/1233; F21S 48/1266; F21S 48/1388; F21S 48/2268;
F21V 21/04; F21V 29/004; B60Q 9/13;
B60Q 9/135; B60Q 9/1375

See application file for complete search history.

(56) **References Cited**

U.S. PATENT DOCUMENTS

D528,133	S	*	9/2006	Brazier	D15/28
D528,685	S	*	9/2006	Yoshida	D26/28
D544,114	S	*	6/2007	Ohta	D26/28
D560,291	S	*	1/2008	Koyama	D26/28
D597,232	S	*	7/2009	Hanaoka	D26/28
D726,353	S	*	4/2015	Yagihashi	D26/28

* cited by examiner

Primary Examiner — Marcus A Jackson

(74) *Attorney, Agent, or Firm* — Hodgson Russ LLP

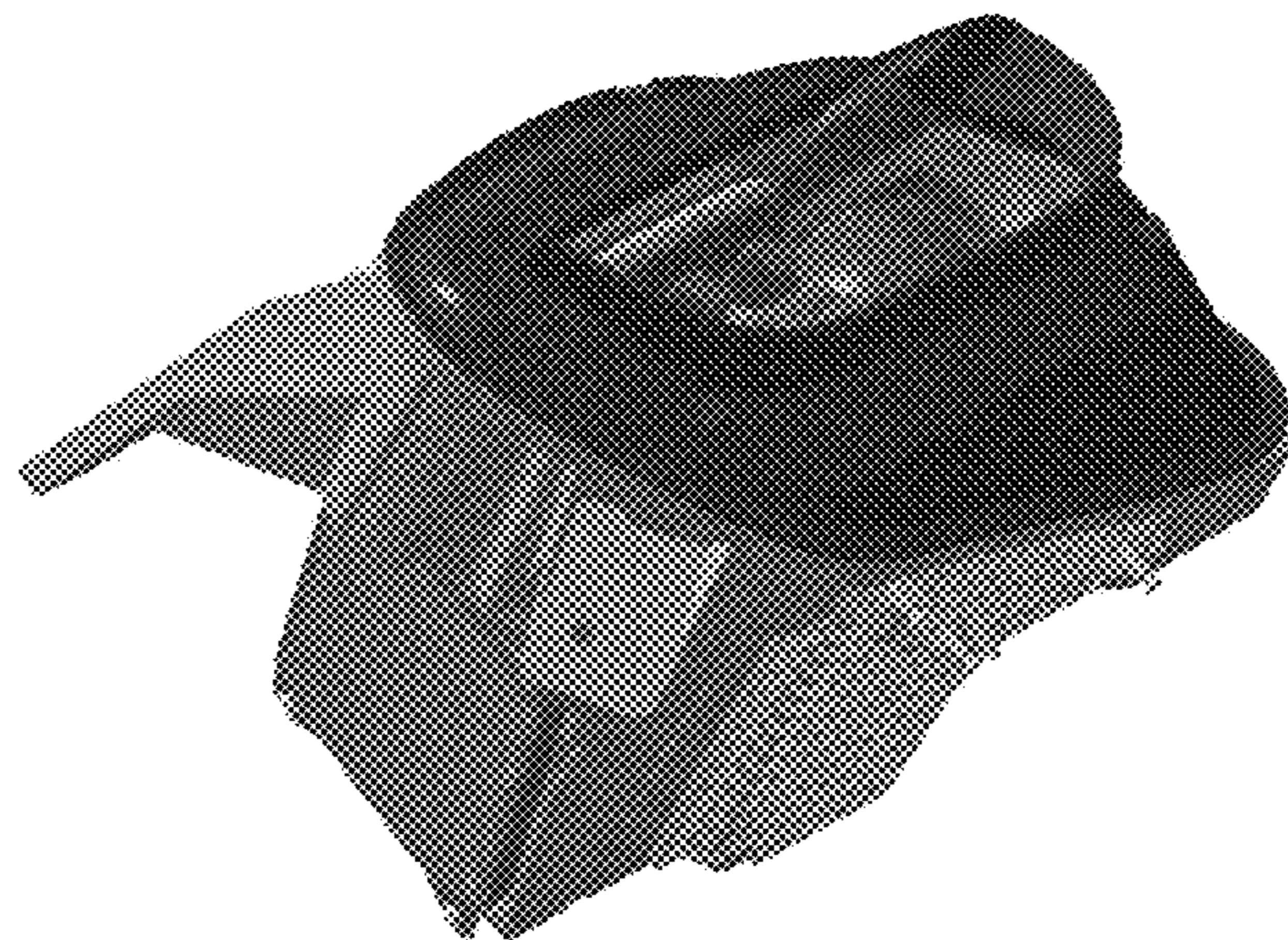
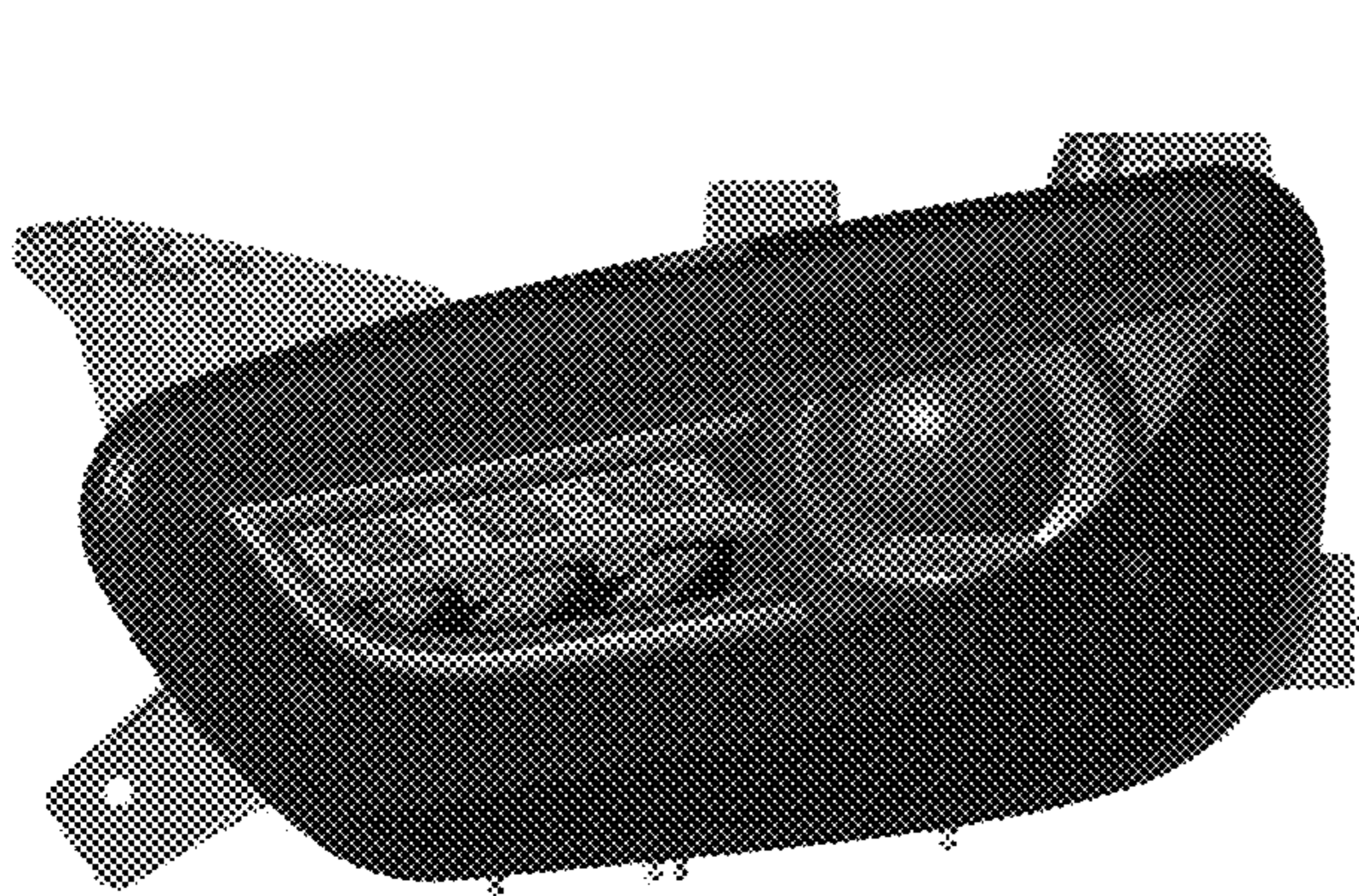
(57) **CLAIM**

The ornamental design for a vehicle headlamp, as shown and described.

DESCRIPTION

FIG. 1 is a front elevation view of a vehicle headlamp, showing our new design;
FIG. 2 is a rear elevation view thereof;
FIG. 3 is a right side elevation view thereof;
FIG. 4 is a left side elevation view thereof;
FIG. 5 is a top plan view thereof;
FIG. 6 is a bottom plan view thereof;
FIG. 7 is a top-left perspective view thereof;
FIG. 8 is a front-bottom-left perspective view thereof;
FIG. 9 is a front-bottom-right perspective view thereof;
FIG. 10 is a front-top-right perspective view thereof;
FIG. 11 is a front-top-left perspective view thereof; and,
FIG. 12 is a rear-top-left perspective view thereof.

1 Claim, 8 Drawing Sheets



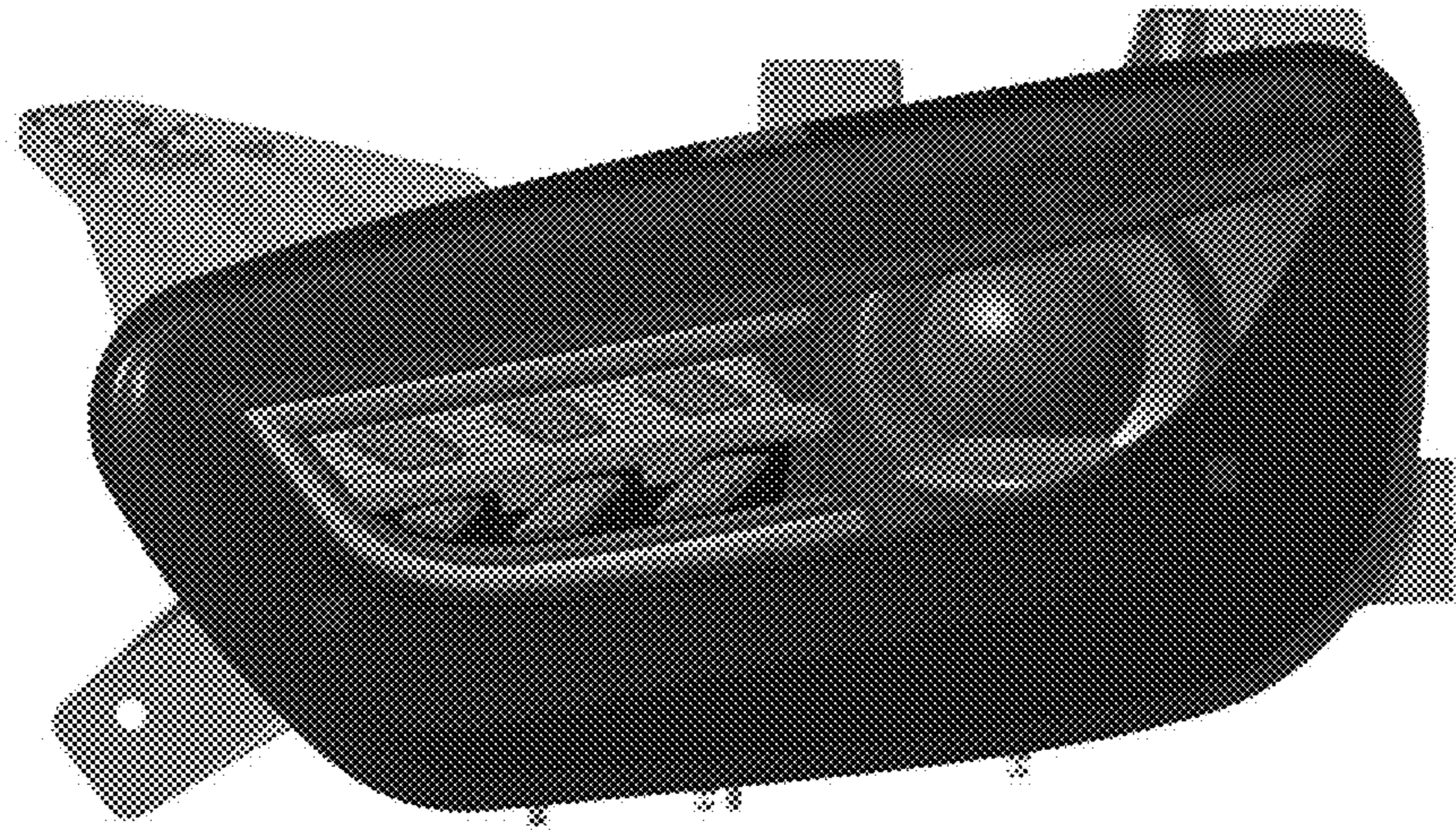


Fig. 1

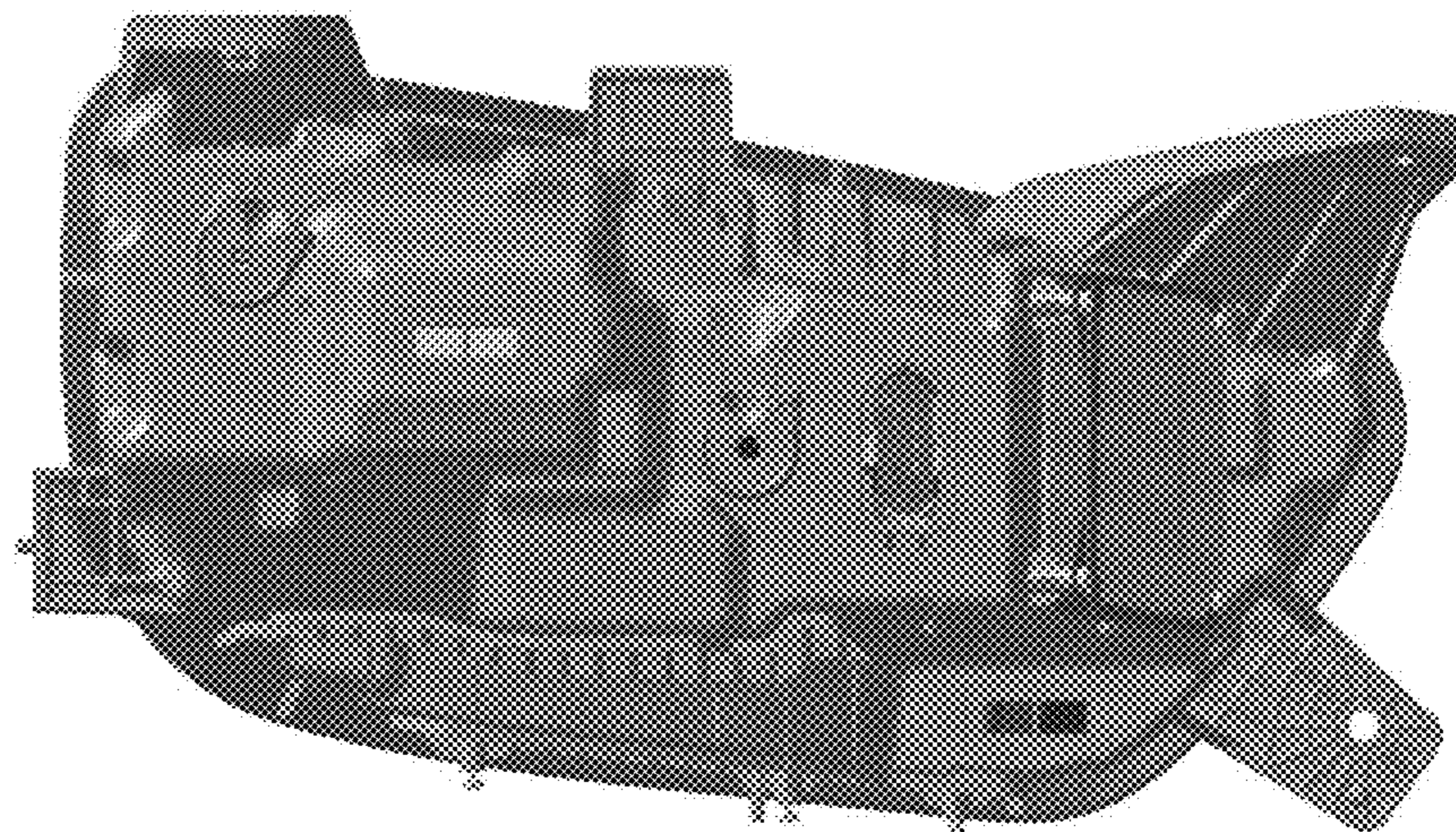


Fig. 2

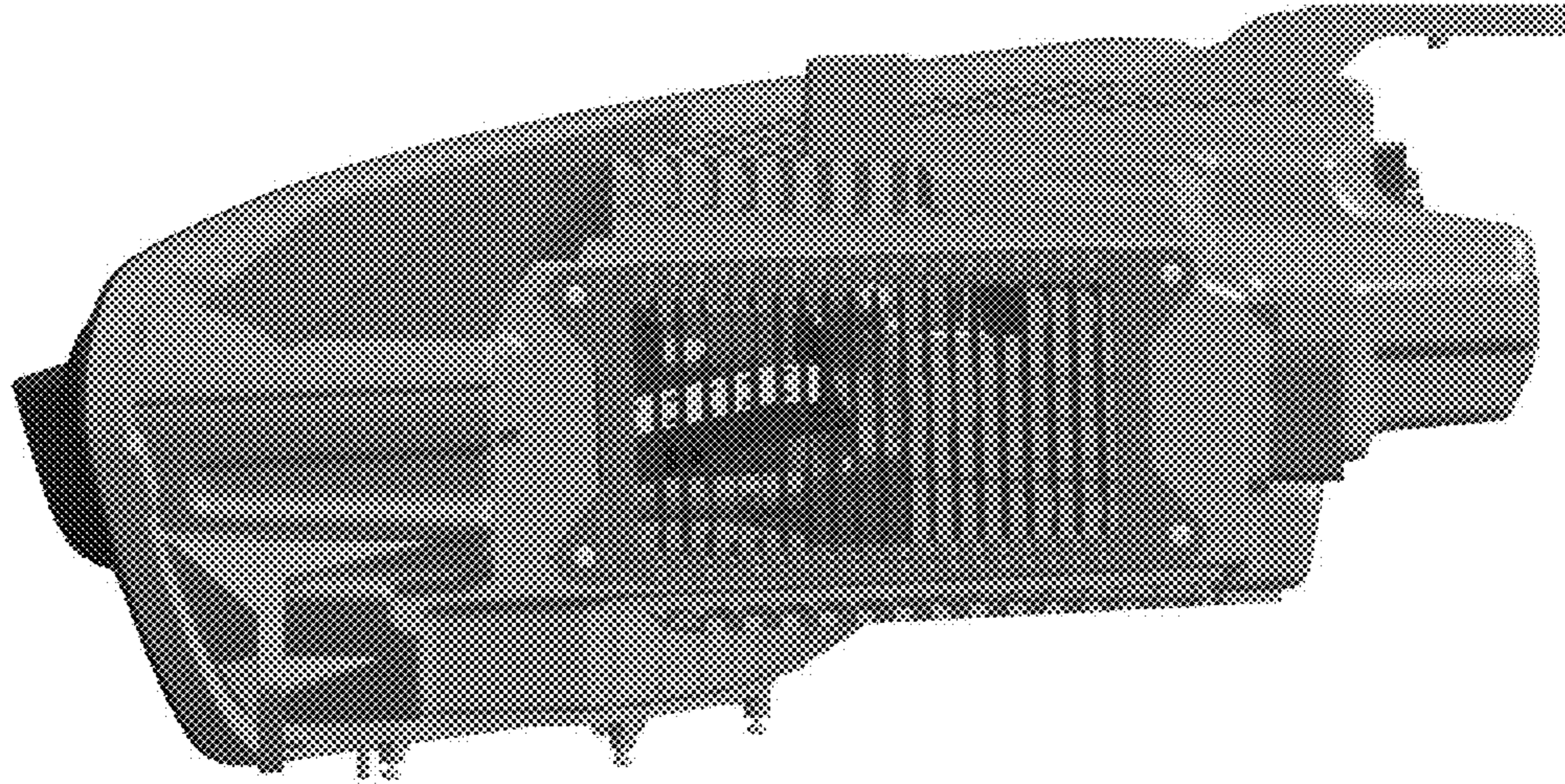


Fig. 3

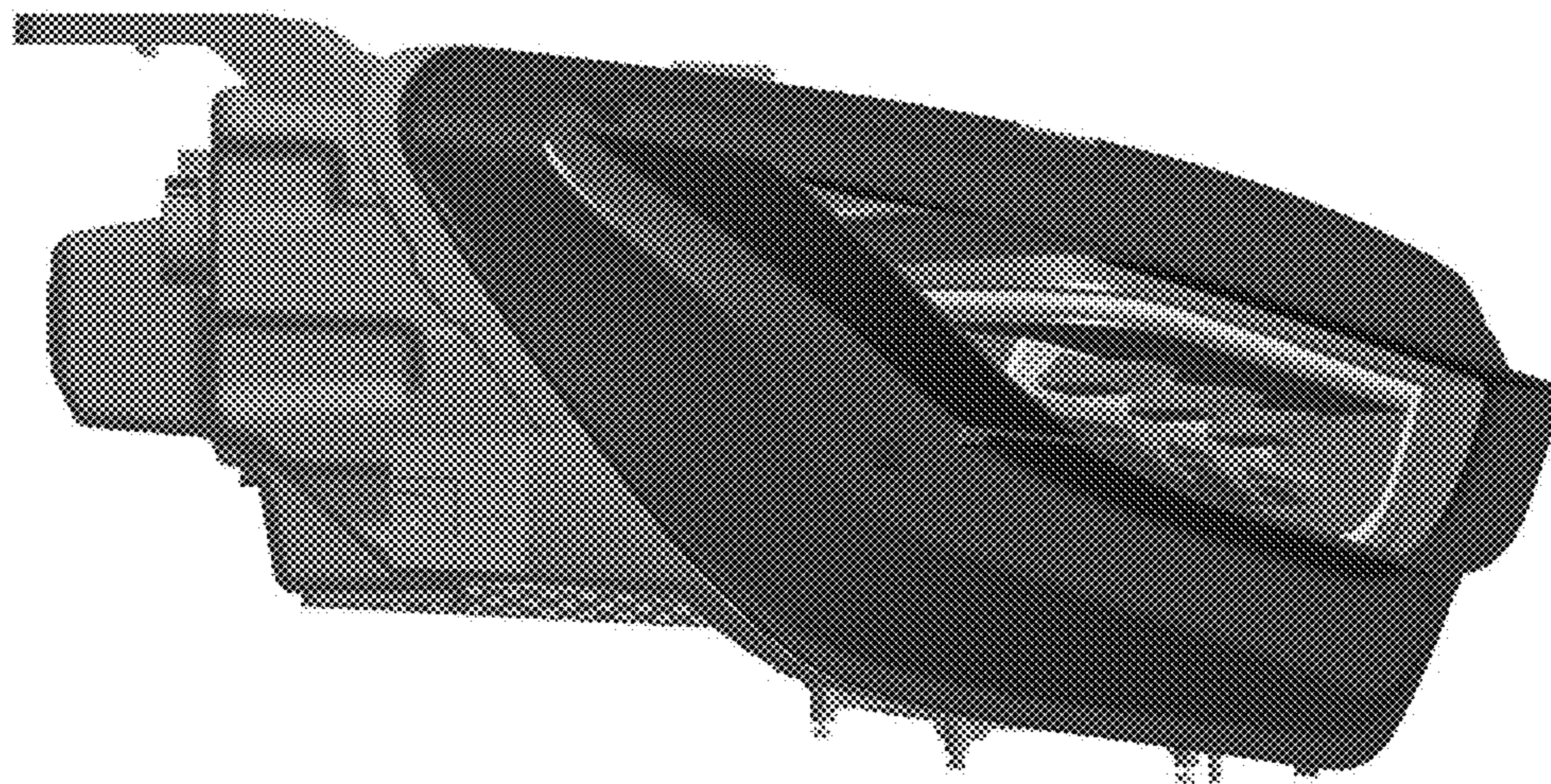


Fig. 4

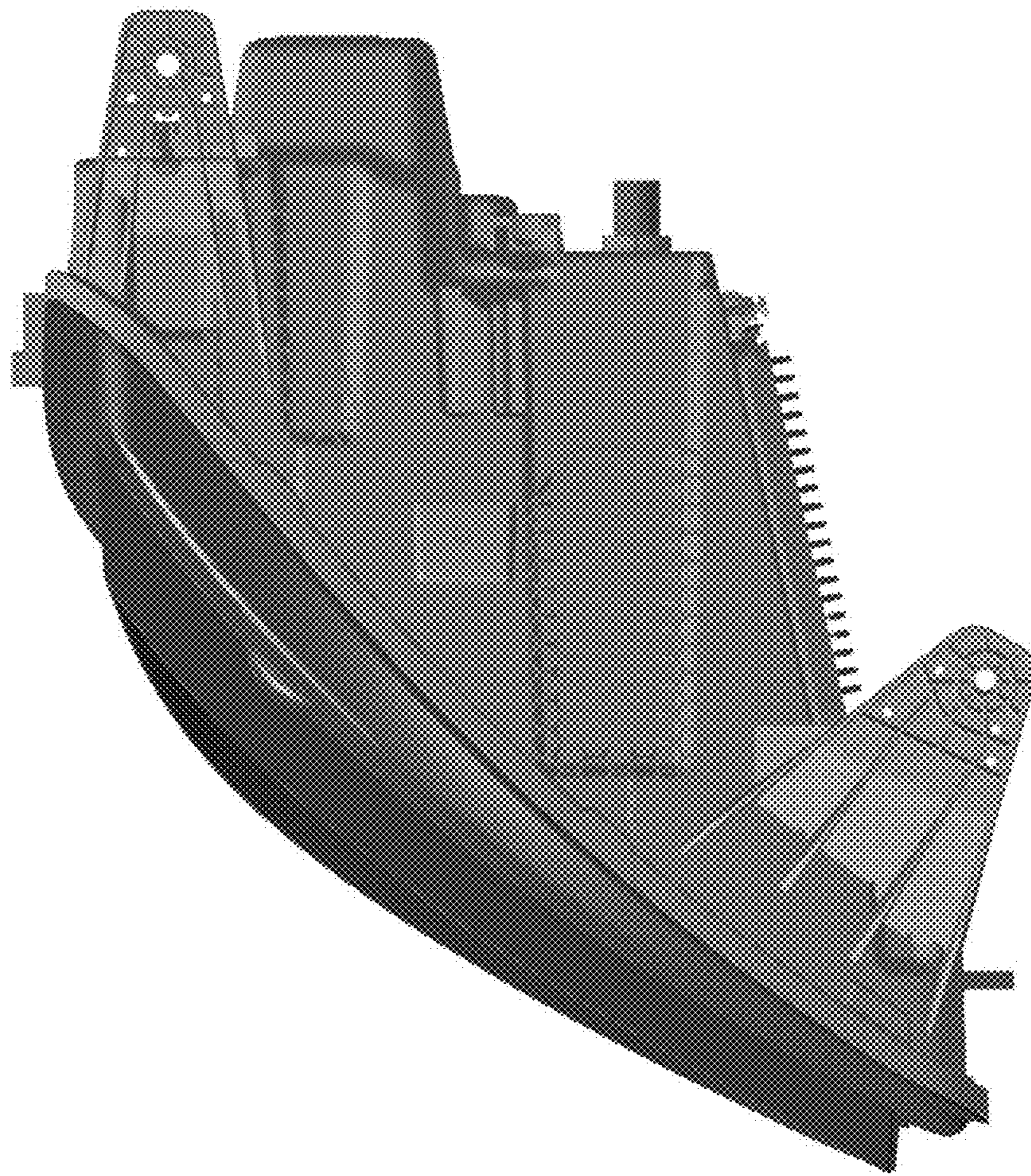


Fig. 5

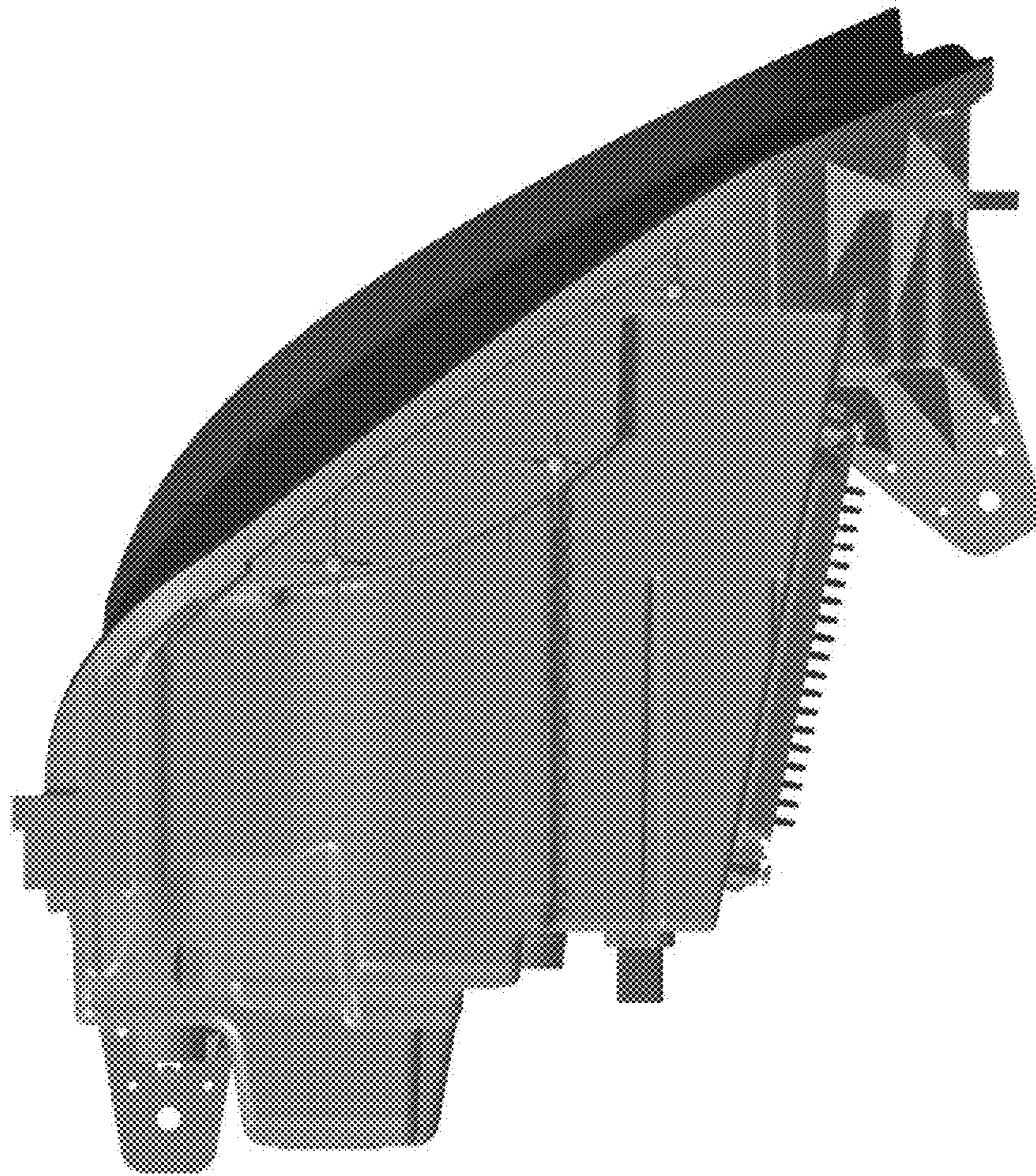


Fig. 6



Fig. 7

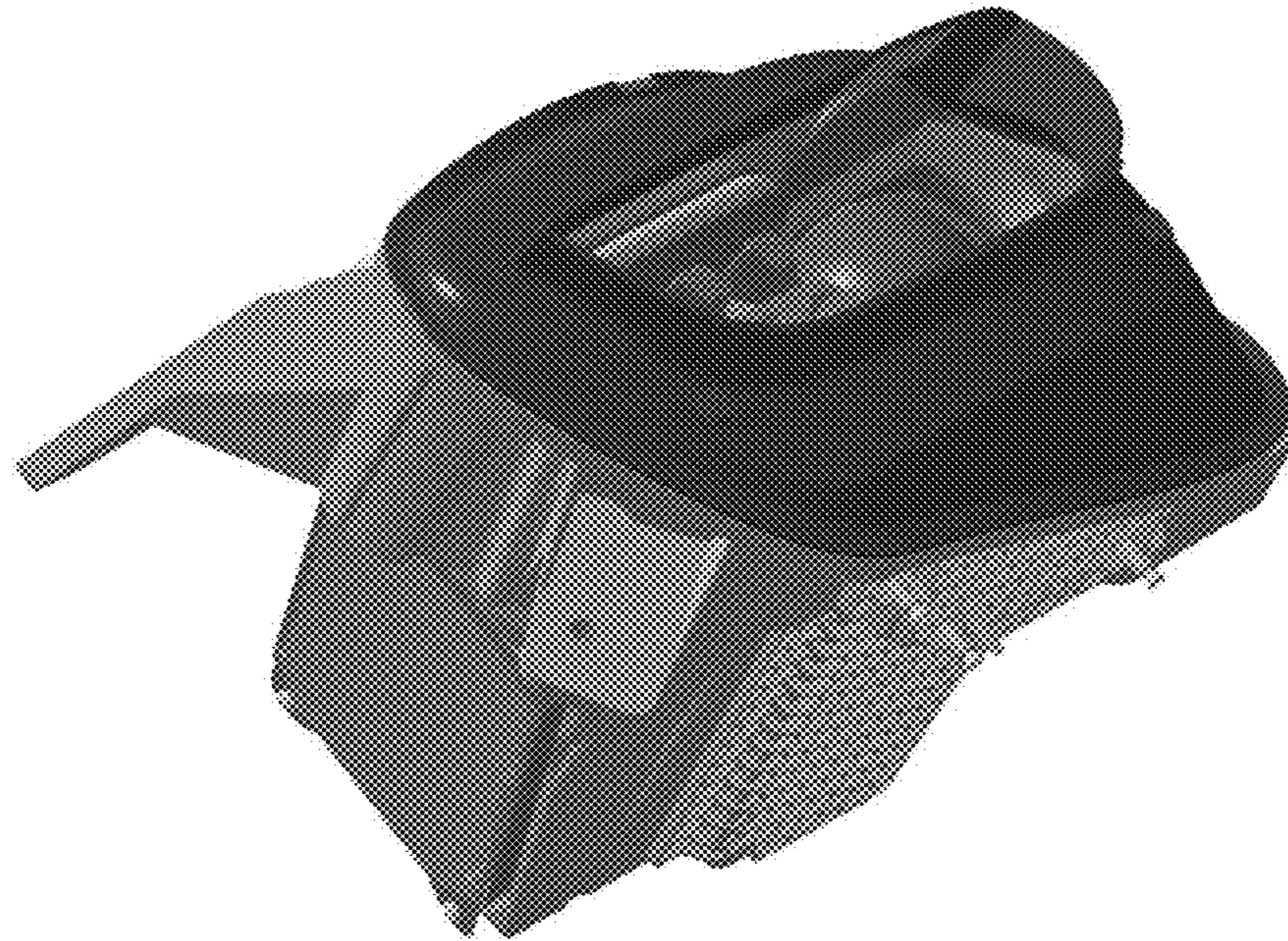


Fig. 8

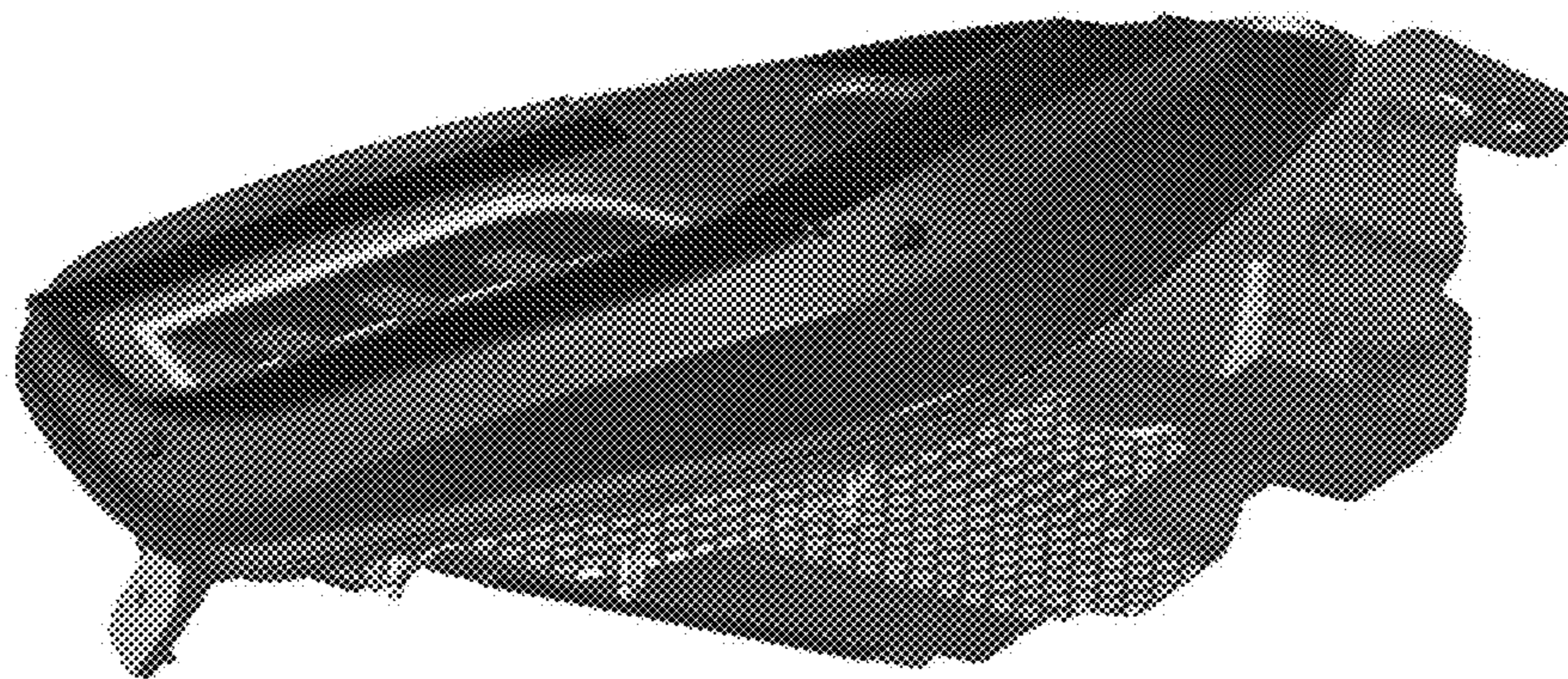


Fig. 9

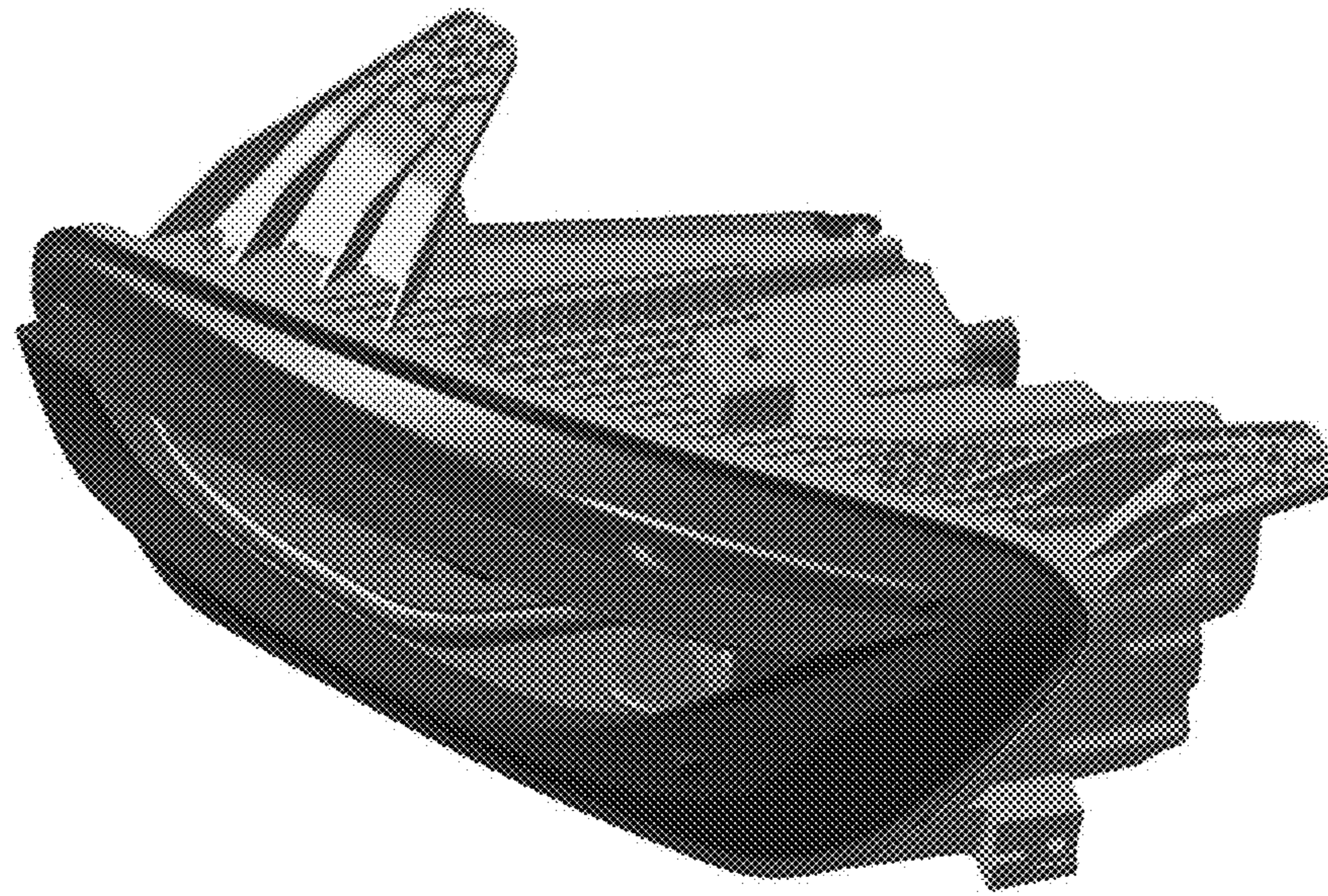


Fig. 10



Fig. 11

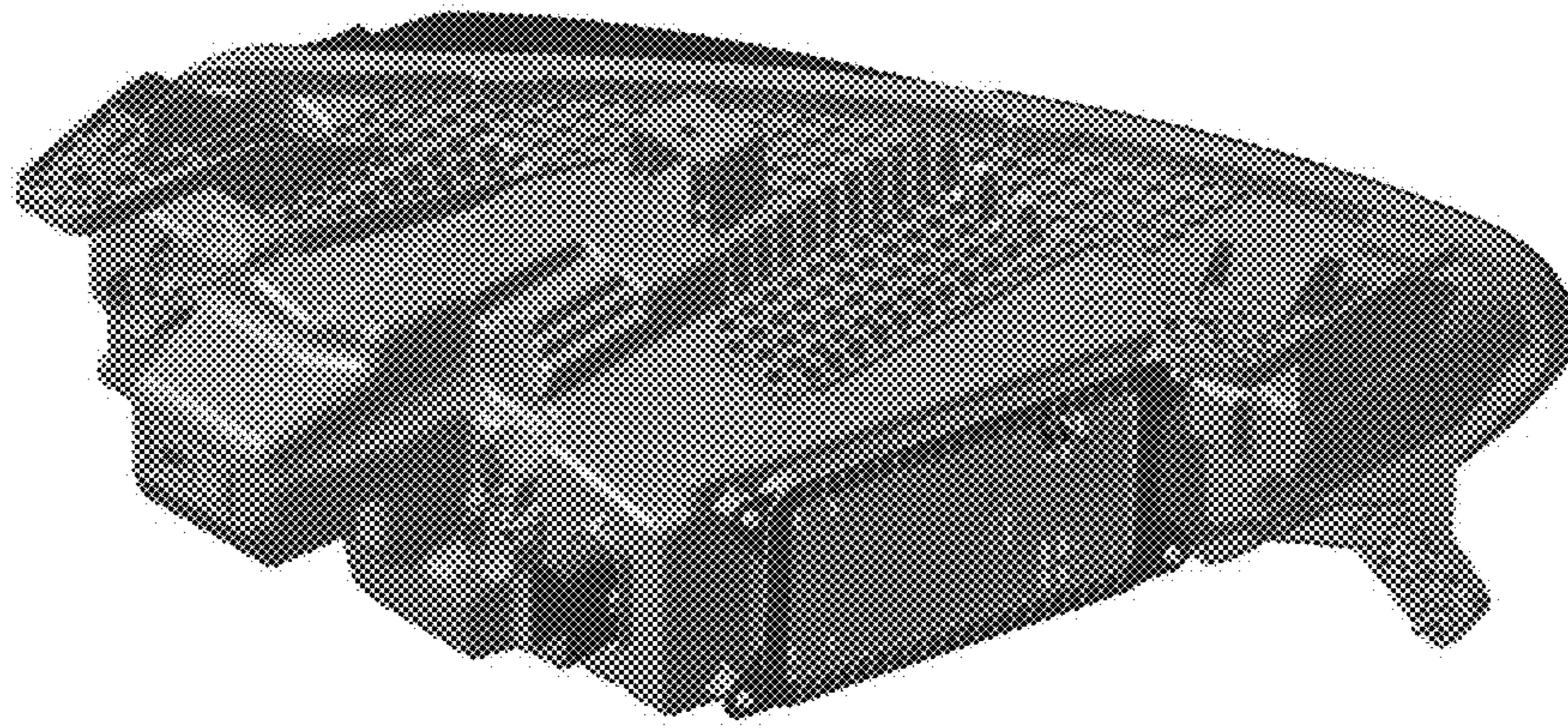


Fig. 12