



US00D889699S

(12) **United States Design Patent** (10) **Patent No.:** **US D889,699 S**
Woodhouse et al. (45) **Date of Patent:** **** Jul. 7, 2020**

(54) **VEHICLE HEADLIGHT**

(71) Applicant: **Ford Global Technologies, LLC**,
Dearborn, MI (US)

(72) Inventors: **David Woodhouse**, Troy, MI (US);
Kemal Curic, Irvine, CA (US); **Xitij Mistry**, Ann Arbor, MI (US); **Mark Kaski**, Royal Oak, MI (US)

(73) Assignee: **Ford Global Technologies, LLC**,
Dearborn, MI (US)

(**) Term: **15 Years**

(21) Appl. No.: **29/641,721**

(22) Filed: **Mar. 23, 2018**

(51) **LOC (12) Cl.** **26-06**

(52) **U.S. Cl.**
USPC **D26/28**

(58) **Field of Classification Search**
USPC D26/28-36, 139

(Continued)

(56) **References Cited**

U.S. PATENT DOCUMENTS

D708,375 S * 7/2014 Endo D26/28
D740,463 S * 10/2015 Ko D26/28

(Continued)

Primary Examiner — Marcus A Jackson

(57) **CLAIM**

The ornamental design for a vehicle headlight, as shown and described.

DESCRIPTION

FIG. 1 is a front elevational view of a first embodiment of a left vehicle headlight with an opaque lens, showing our new design;

FIG. 2 is a left side elevational view thereof;

FIG. 3 is a right side elevational view thereof;

FIG. 4 is a top plan view thereof;

FIG. 5 is a bottom plan view thereof;

FIG. 6 is a top, front, and left side perspective view thereof; and

FIG. 7 is a bottom, front, and left side perspective view thereof.

FIG. 8 is a front elevational view of the first embodiment of a left vehicle headlight with a clear lens, showing our new design;

FIG. 9 is a left side elevational view thereof;

FIG. 10 is a right side elevational view thereof;

FIG. 11 is a top plan view thereof;

FIG. 12 is a bottom plan view thereof;

FIG. 13 is a top, front, and left side perspective view thereof; and

FIG. 14 is a bottom, front, and left side perspective view thereof.

FIG. 15 is a front elevational view of a second embodiment of a left vehicle headlight with clear lens, showing our new design;

FIG. 16 is a left side elevational view thereof; and

FIG. 17 is a bottom, front, and left side perspective view thereof.

FIG. 18 is a front elevational view of a third embodiment of a left vehicle headlight with an opaque lens, showing our new design;

FIG. 19 is a left side elevational view thereof;

FIG. 20 is a right side elevational view thereof;

FIG. 21 is a top plan view thereof;

FIG. 22 is a bottom plan view thereof;

FIG. 23 is a top, front, and left side perspective view thereof; and

FIG. 24 is a bottom, front, and left side perspective view thereof.

FIG. 25 is a front elevational view of a third embodiment of a left vehicle headlight with a clear lens, showing our new design;

FIG. 26 is a left side elevational view thereof;

FIG. 27 is a right side elevational view thereof;

FIG. 28 is a top plan view thereof;

FIG. 29 is a bottom plan view thereof;

FIG. 30 is a top, front, and left side perspective view thereof; and,

(Continued)

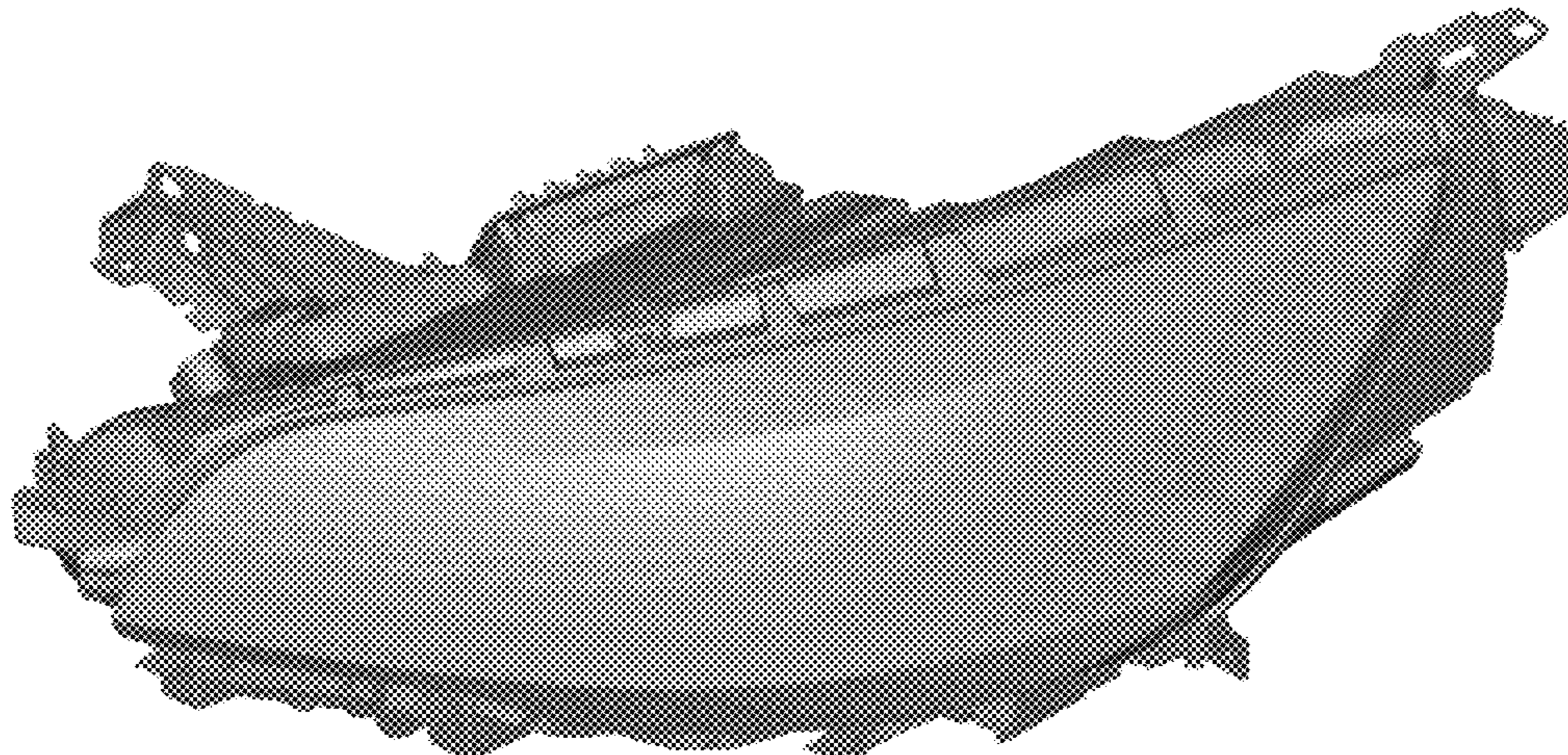


FIG. 31 is a bottom, front, and left side perspective view thereof.

1 Claim, 31 Drawing Sheets

(58) Field of Classification Search

CPC F21S 48/00; F21S 48/10; F21S 48/115;
F21S 48/225; F21S 48/1233; F21S
48/1266; F21S 48/1388; F21S 48/2268;
F21V 21/04; F21V 29/004; B60Q 9/13;
B60Q 9/135; B60Q 9/1375

See application file for complete search history.

(56) References Cited

U.S. PATENT DOCUMENTS

D760,408 S *	6/2016	Arroba	D26/28
D783,868 S *	4/2017	Munakata	D26/28
D814,080 S *	3/2018	Ha	D26/28
D819,851 S *	6/2018	Munakata	D26/28
D833,653 S *	11/2018	Sakai	D26/28

* cited by examiner

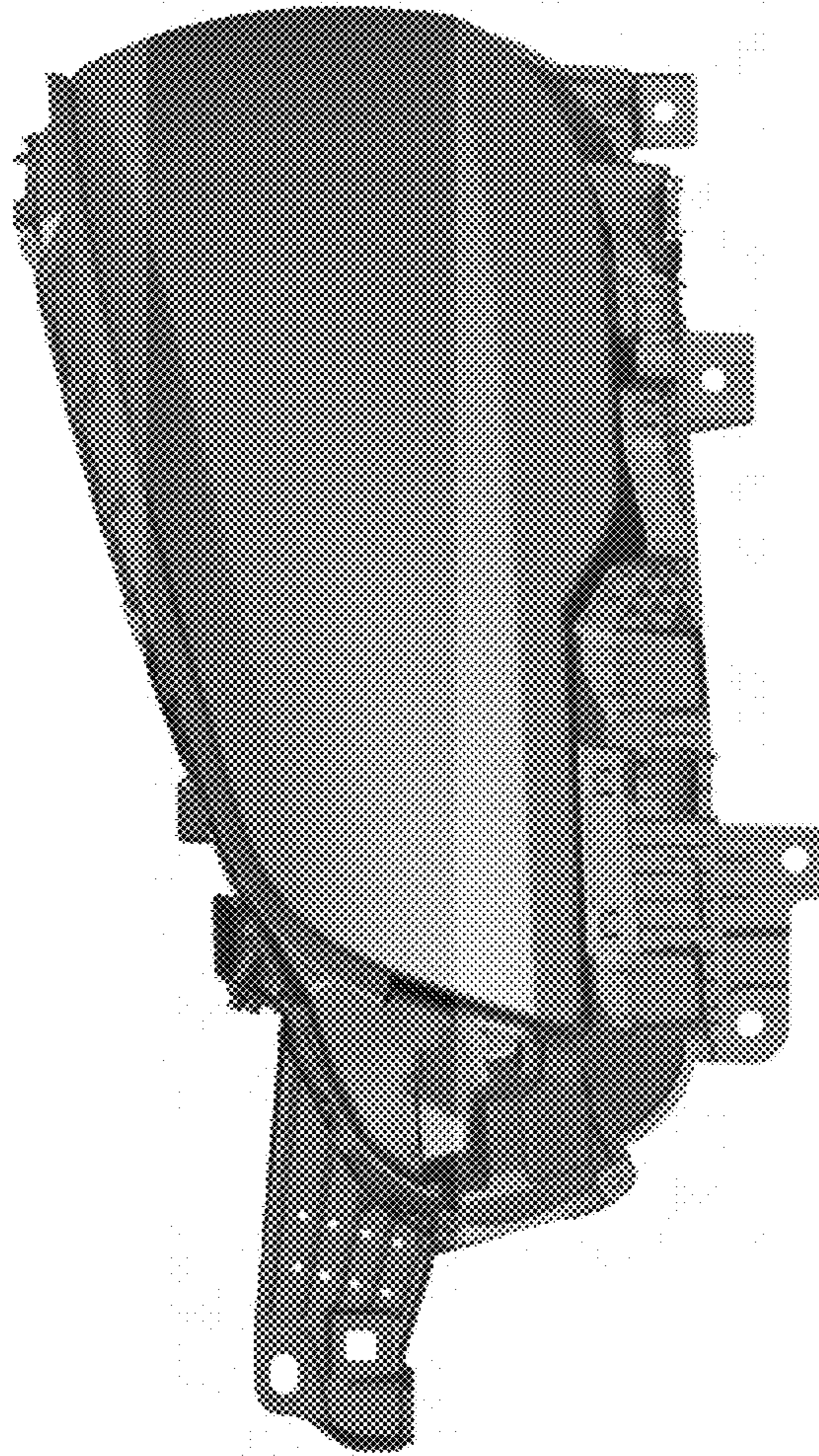


Fig. 1

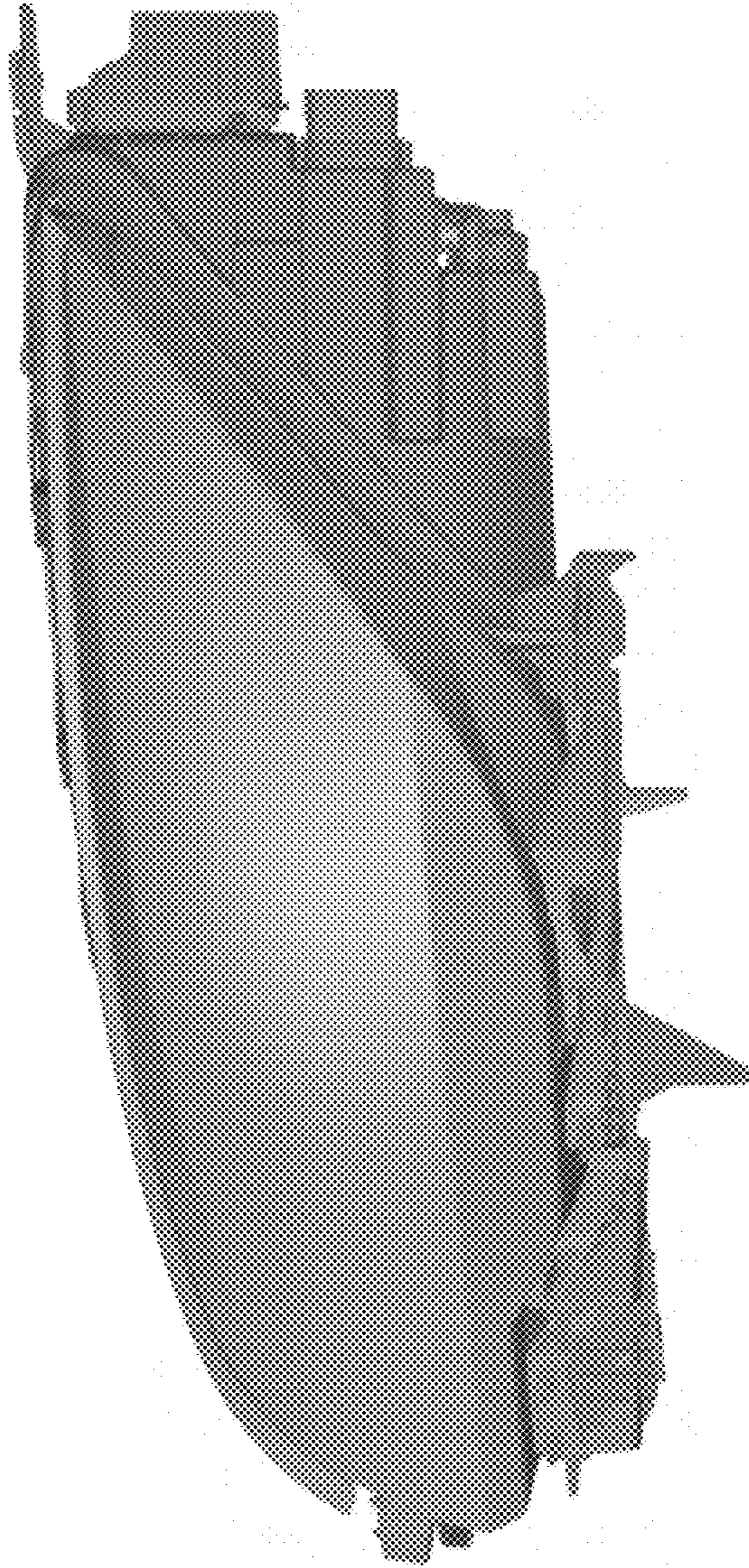


Fig. 2

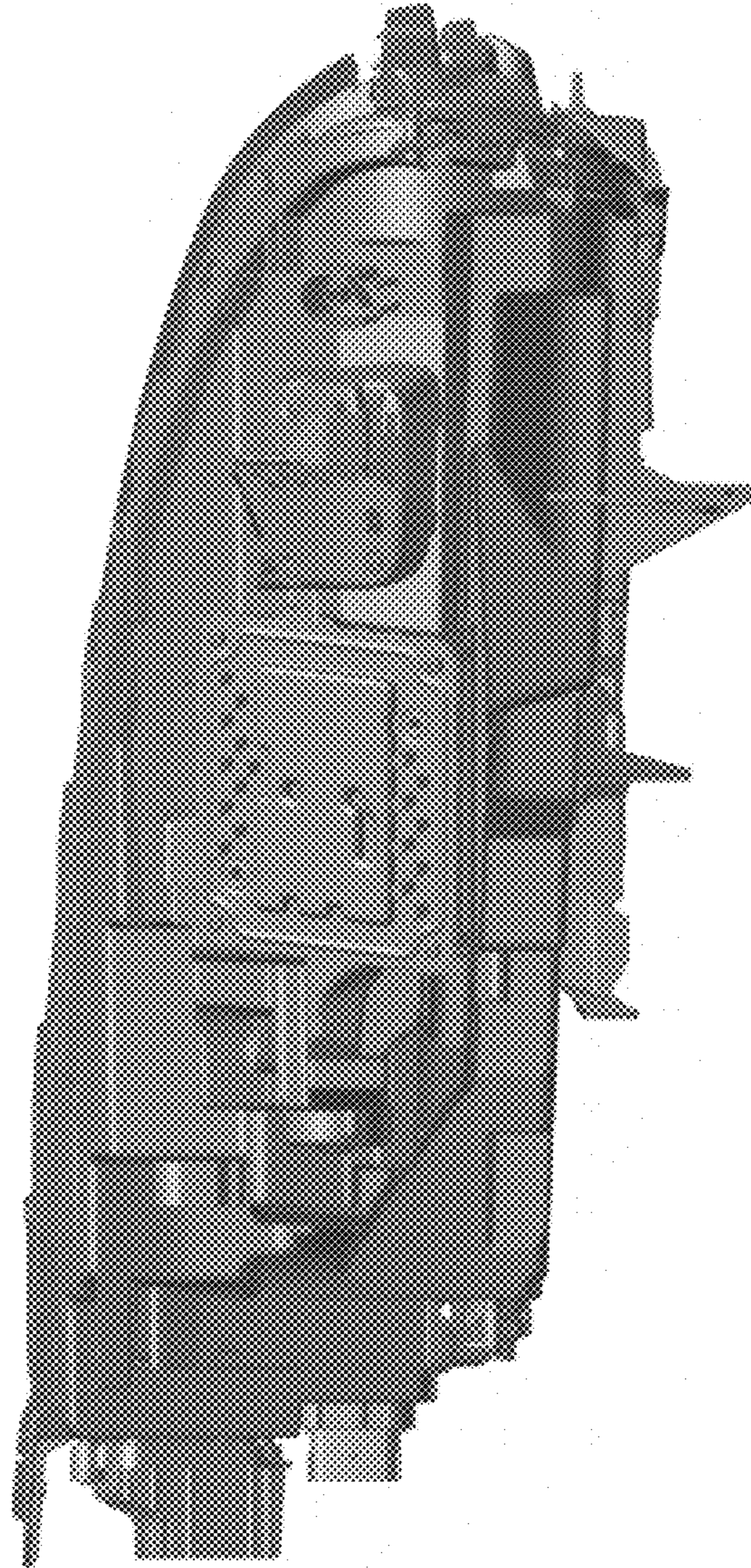


Fig. 3

Fig. 4

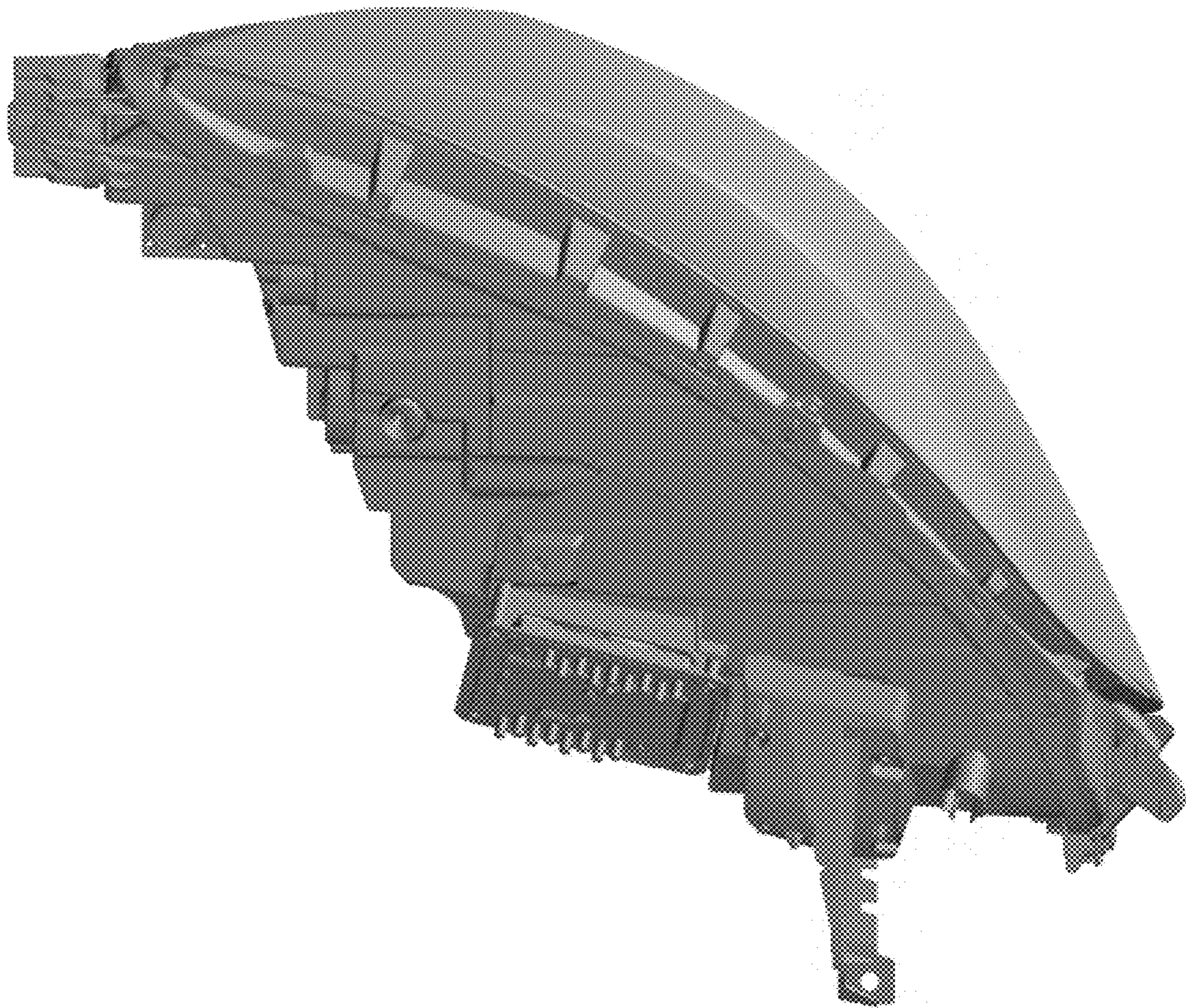
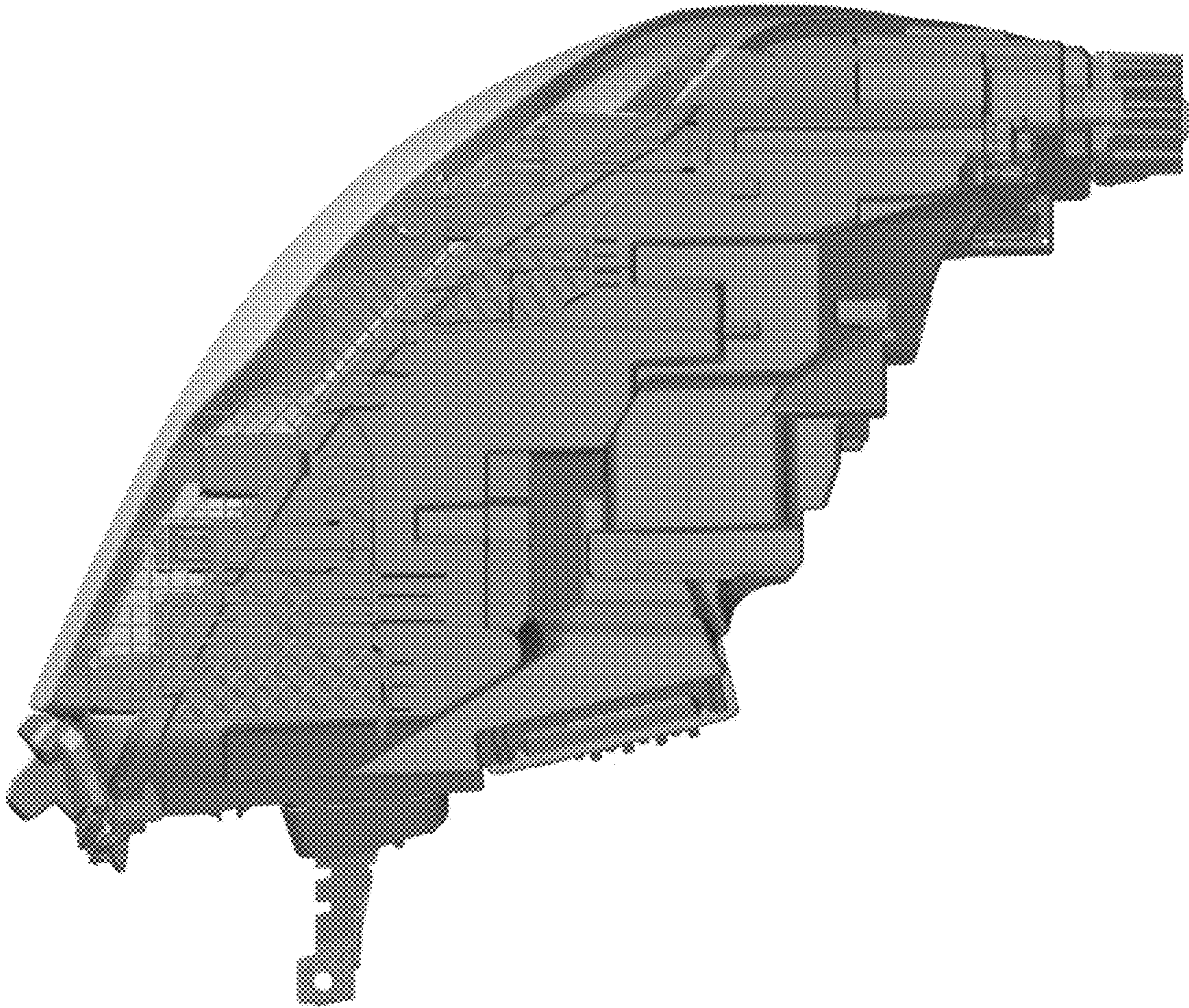


Fig. 5



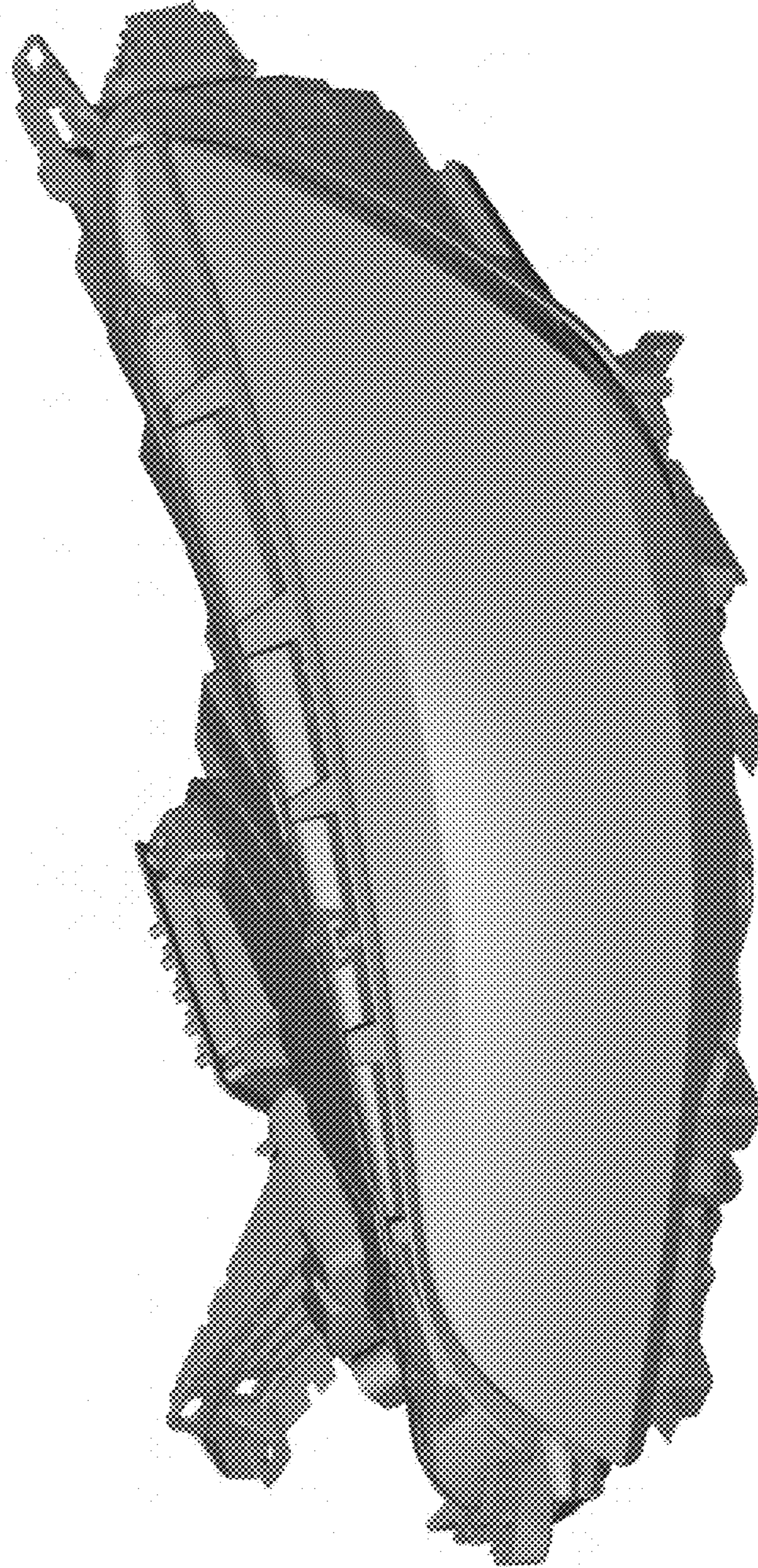


Fig. 6

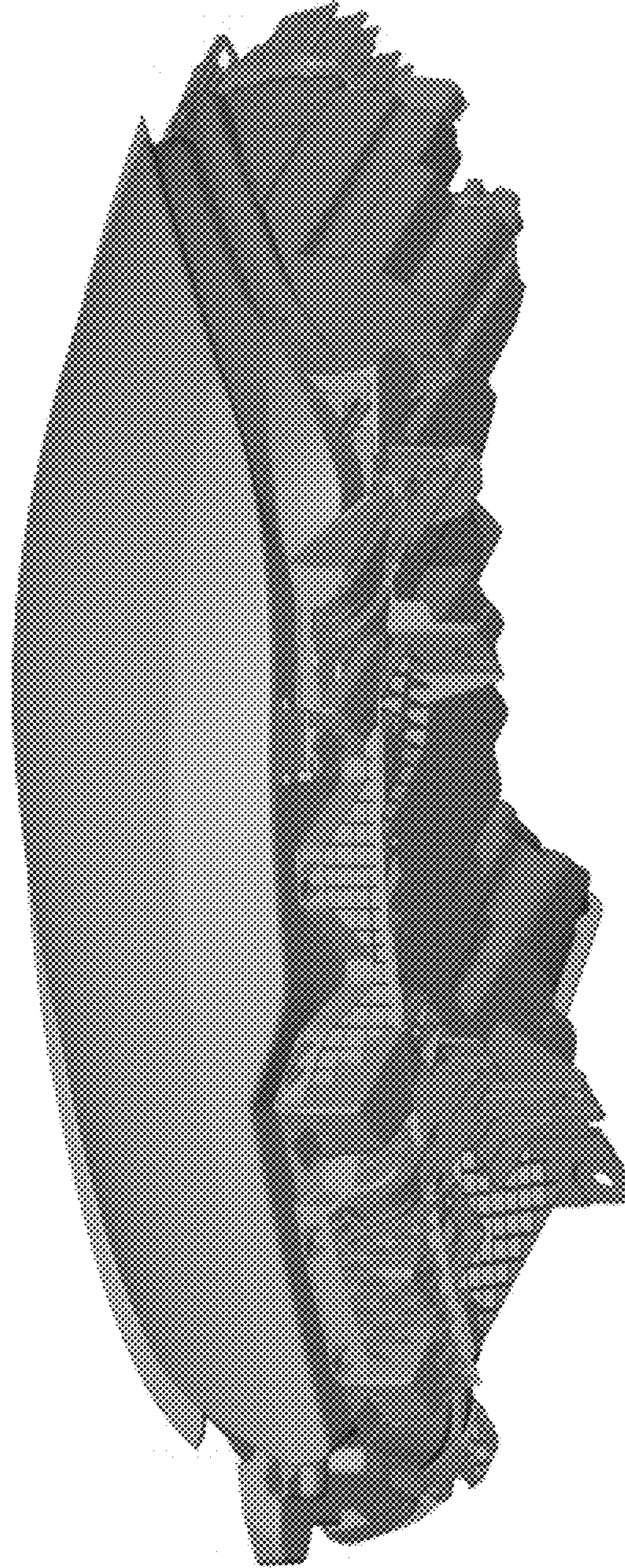


Fig. 7

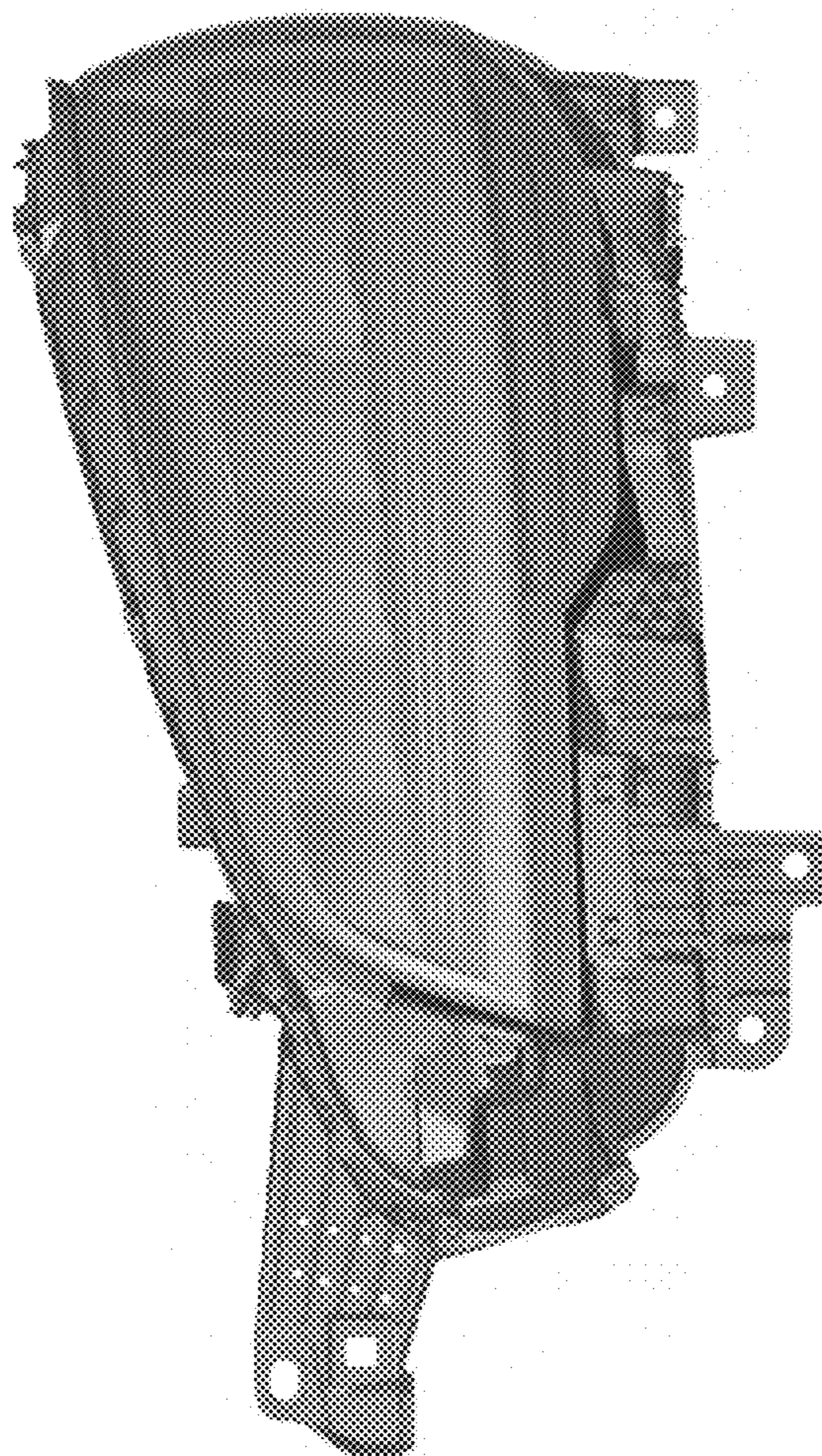


Fig. 8

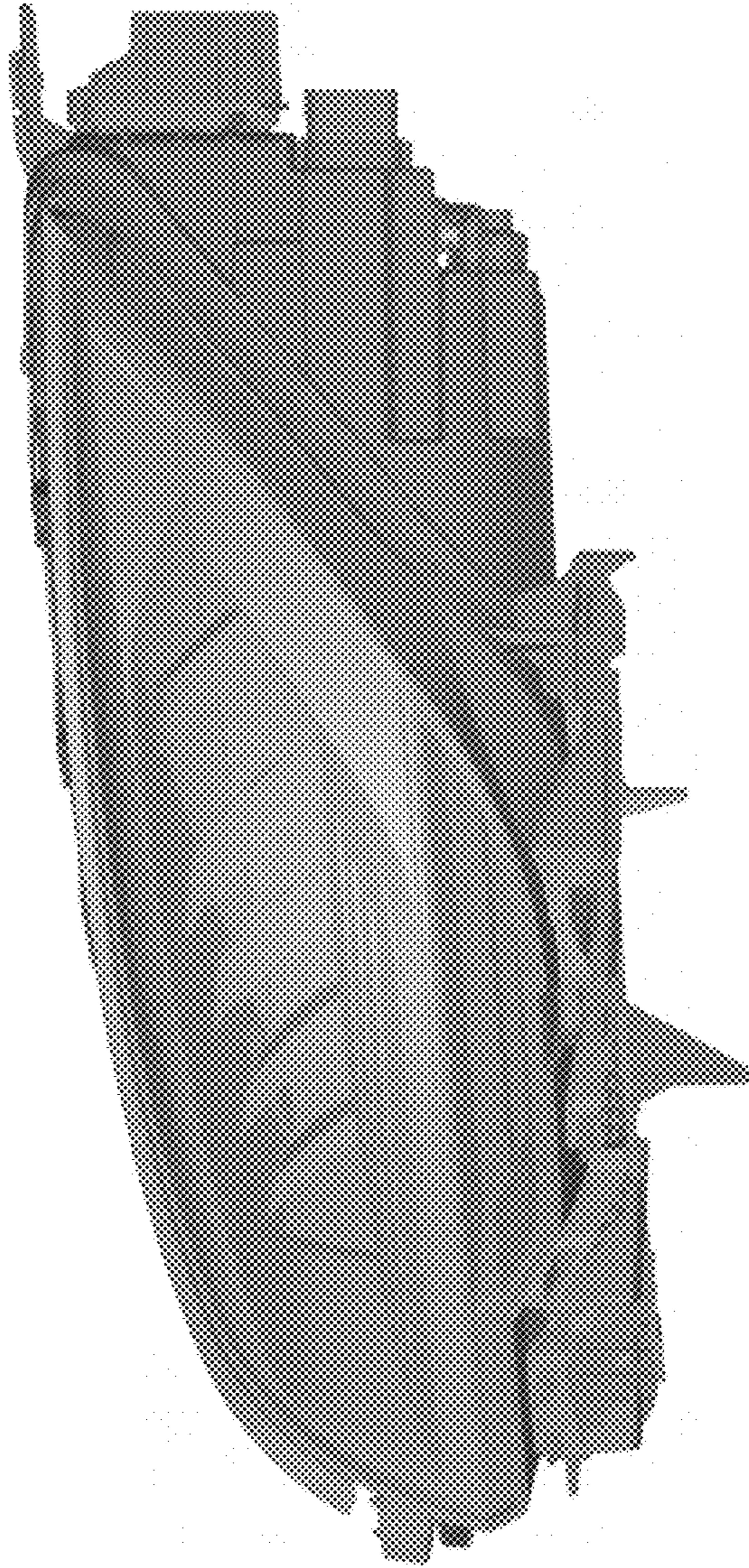


Fig. 9

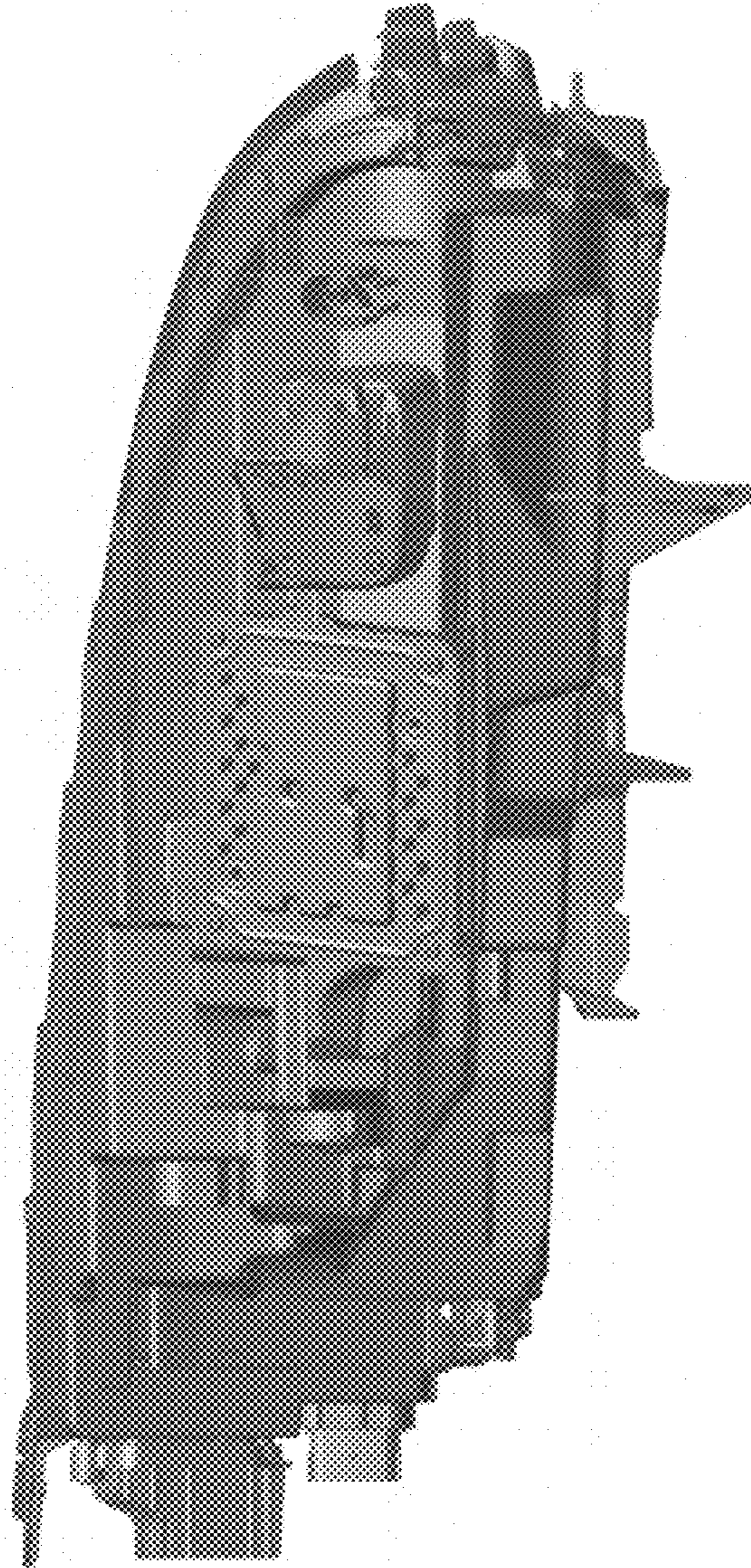


Fig. 10

Fig. 11

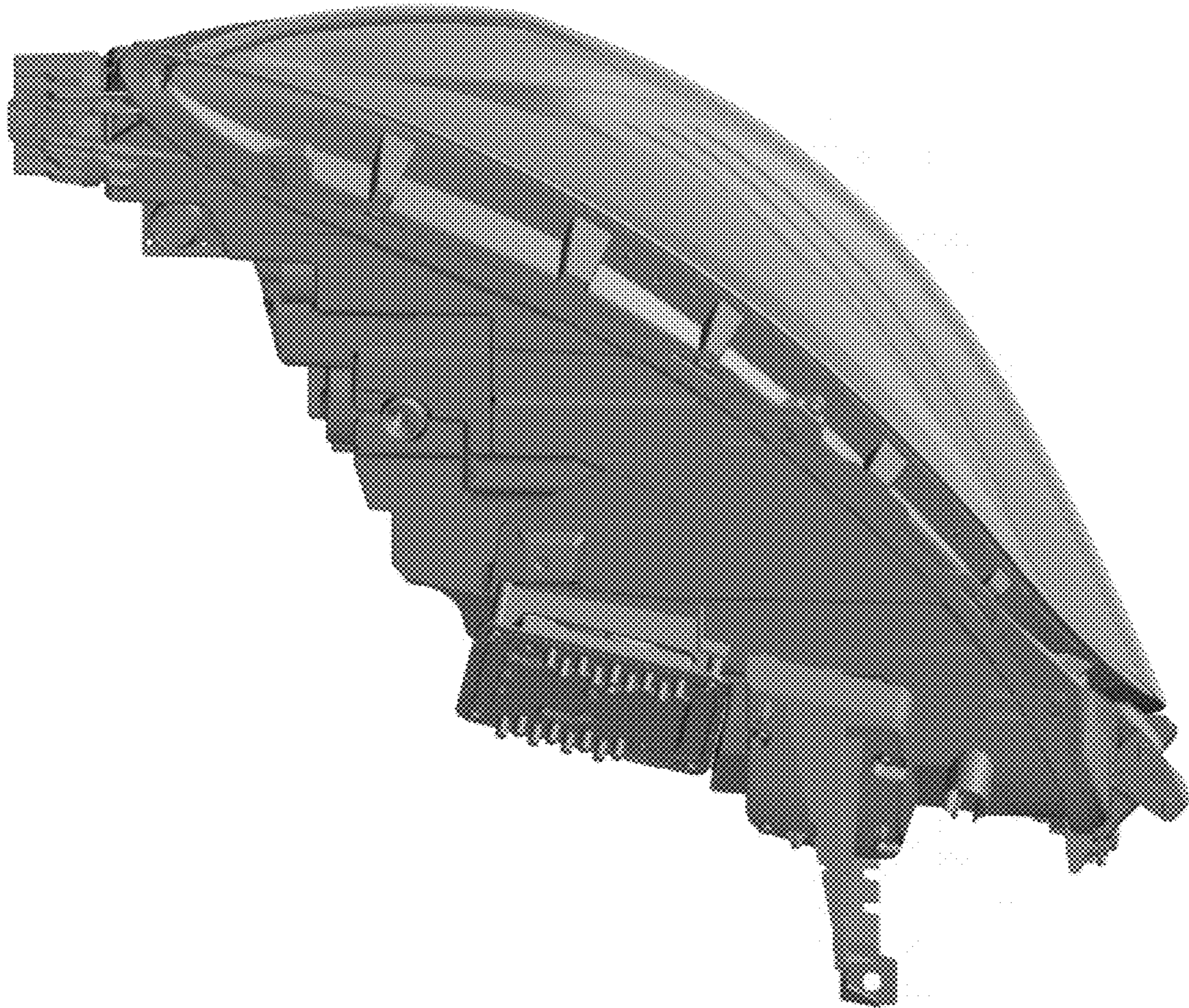
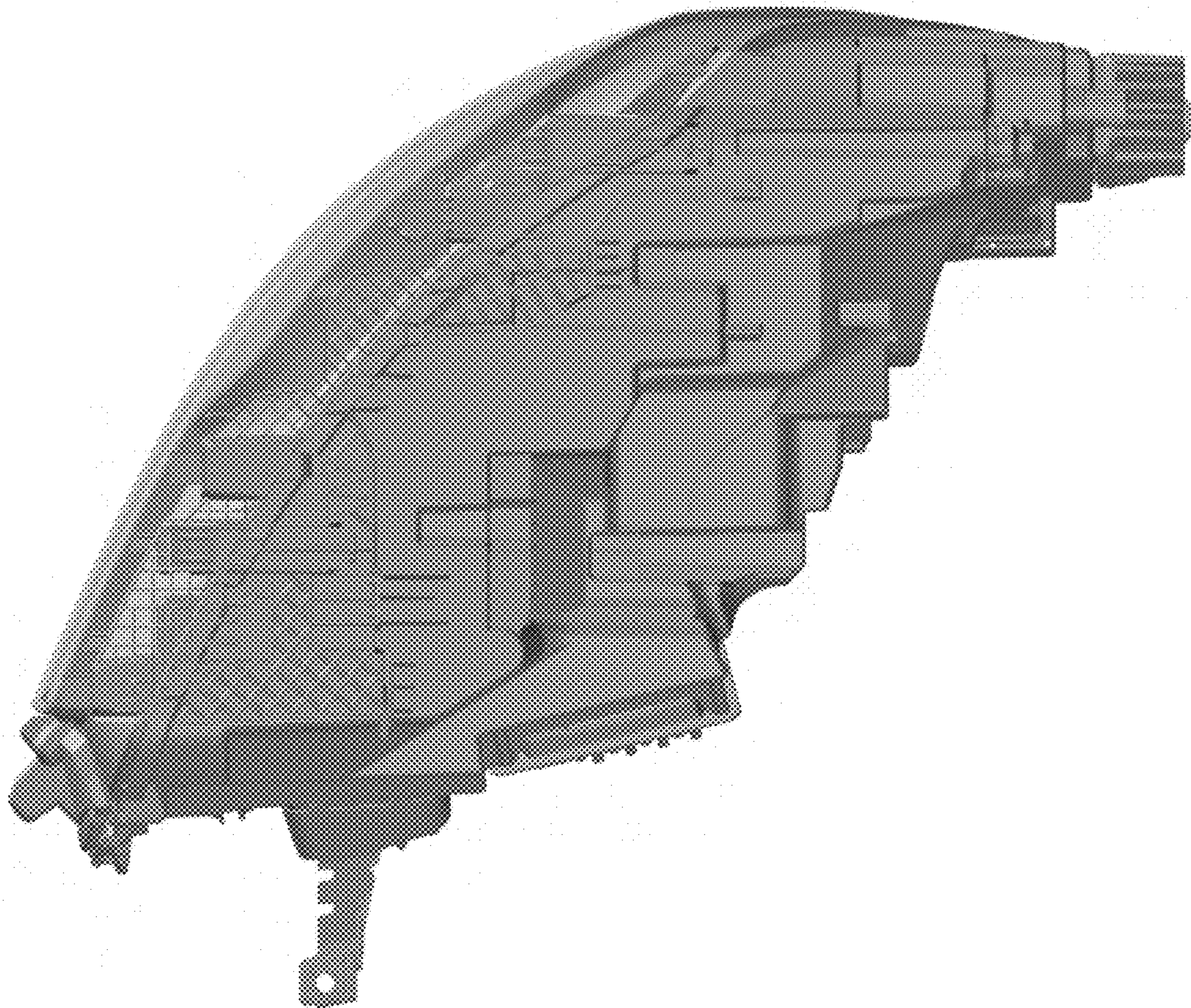


Fig. 12



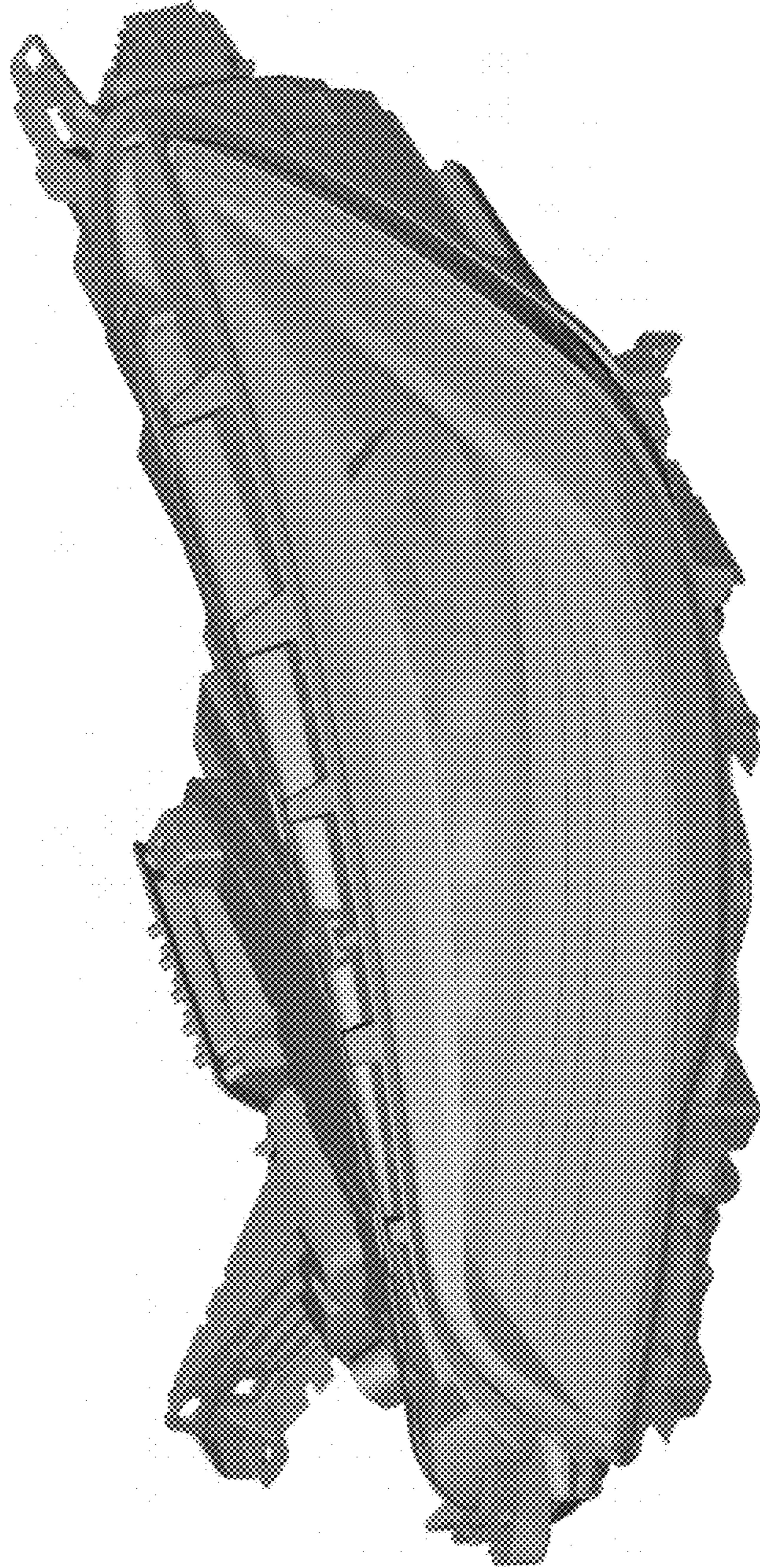


Fig. 13

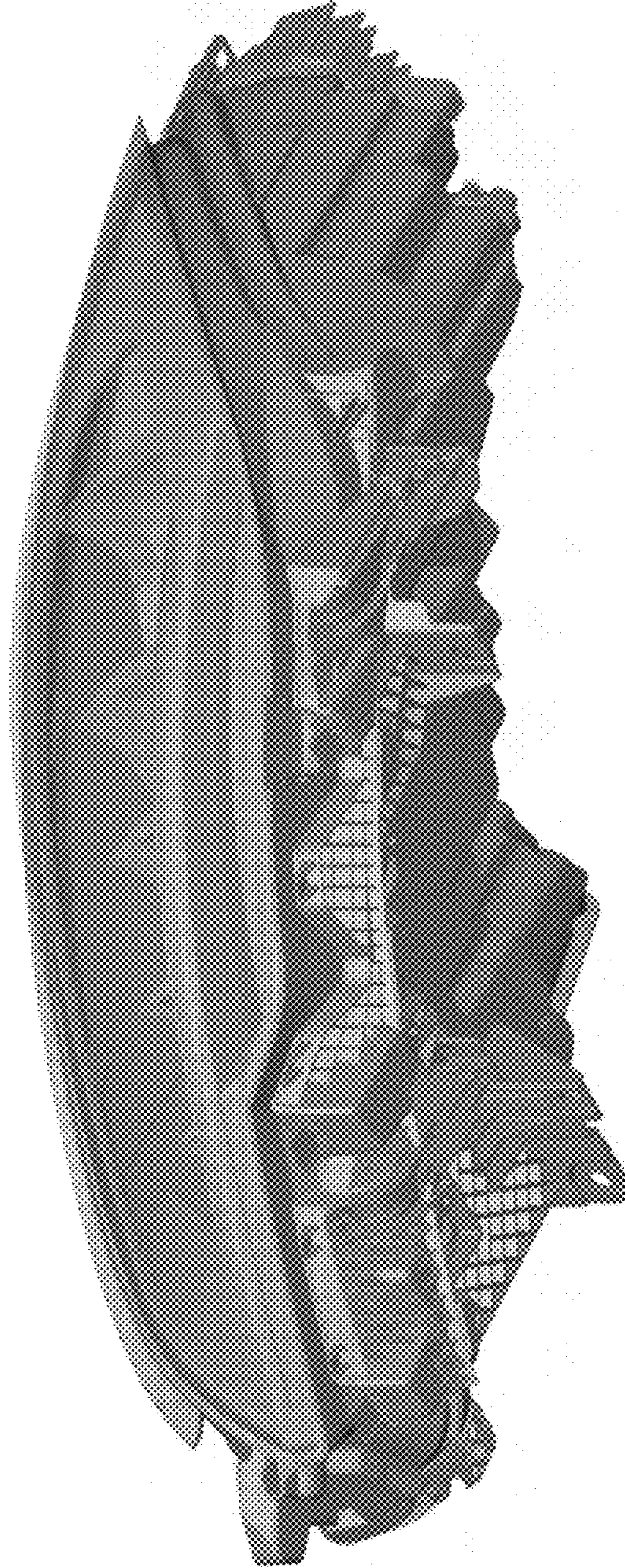


Fig. 14

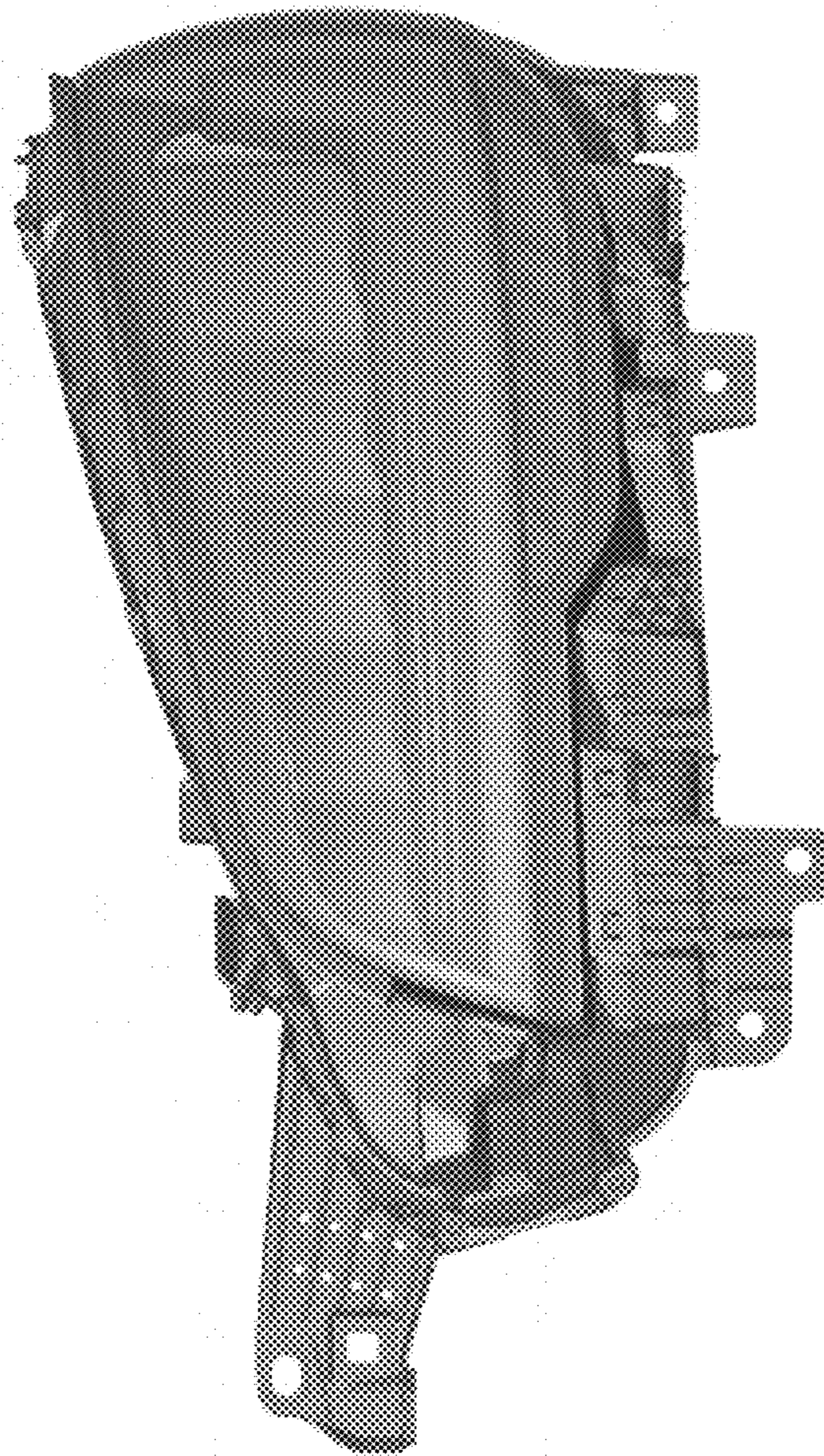


Fig. 15

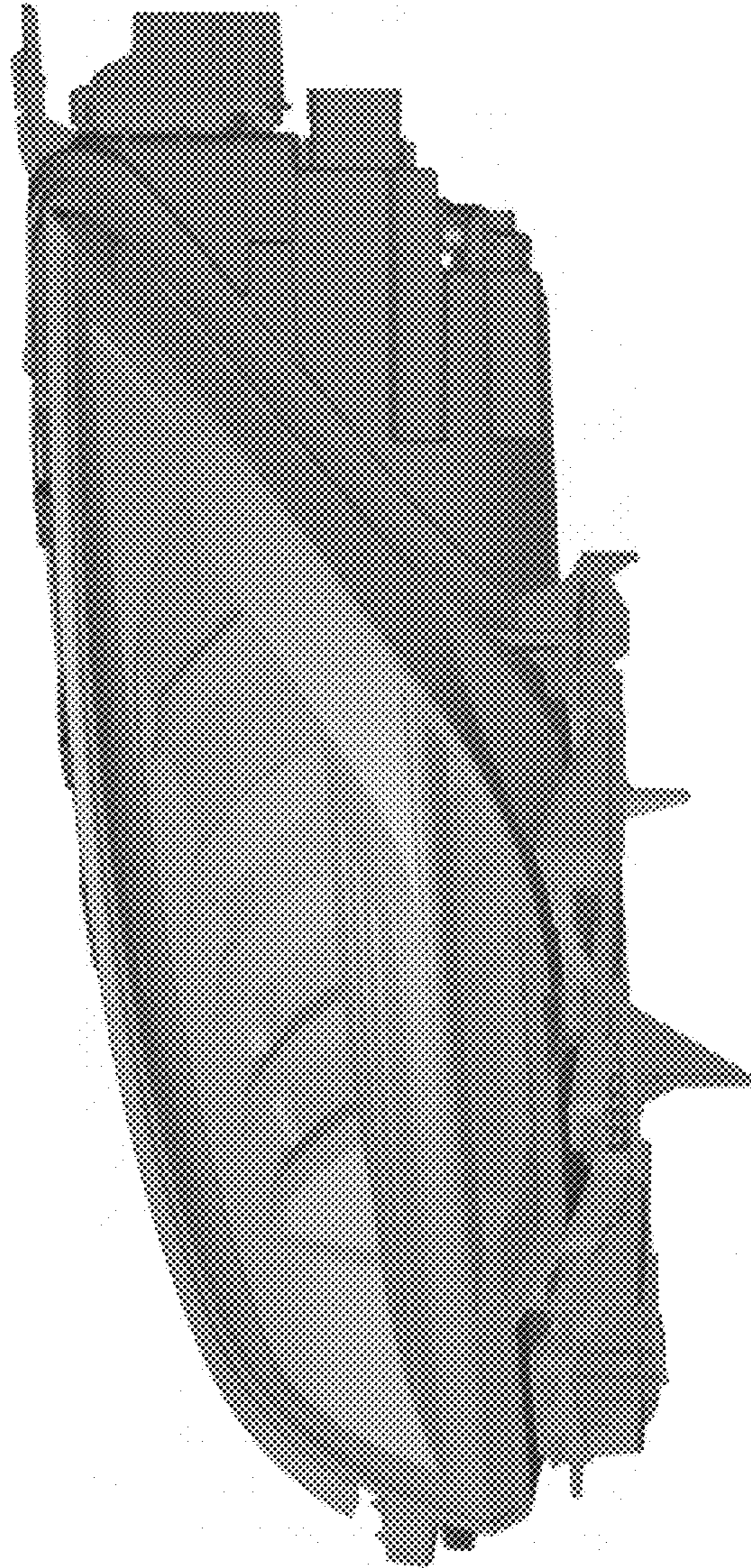


Fig. 16

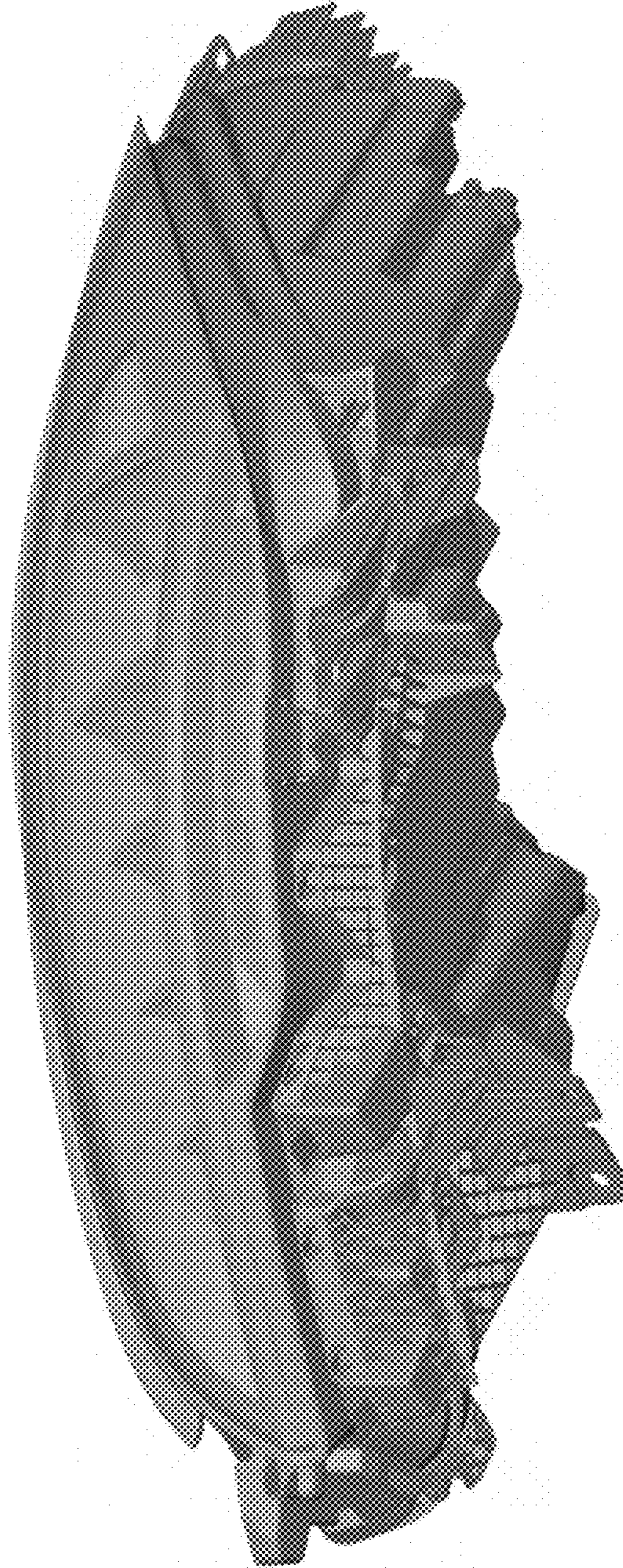


Fig. 17

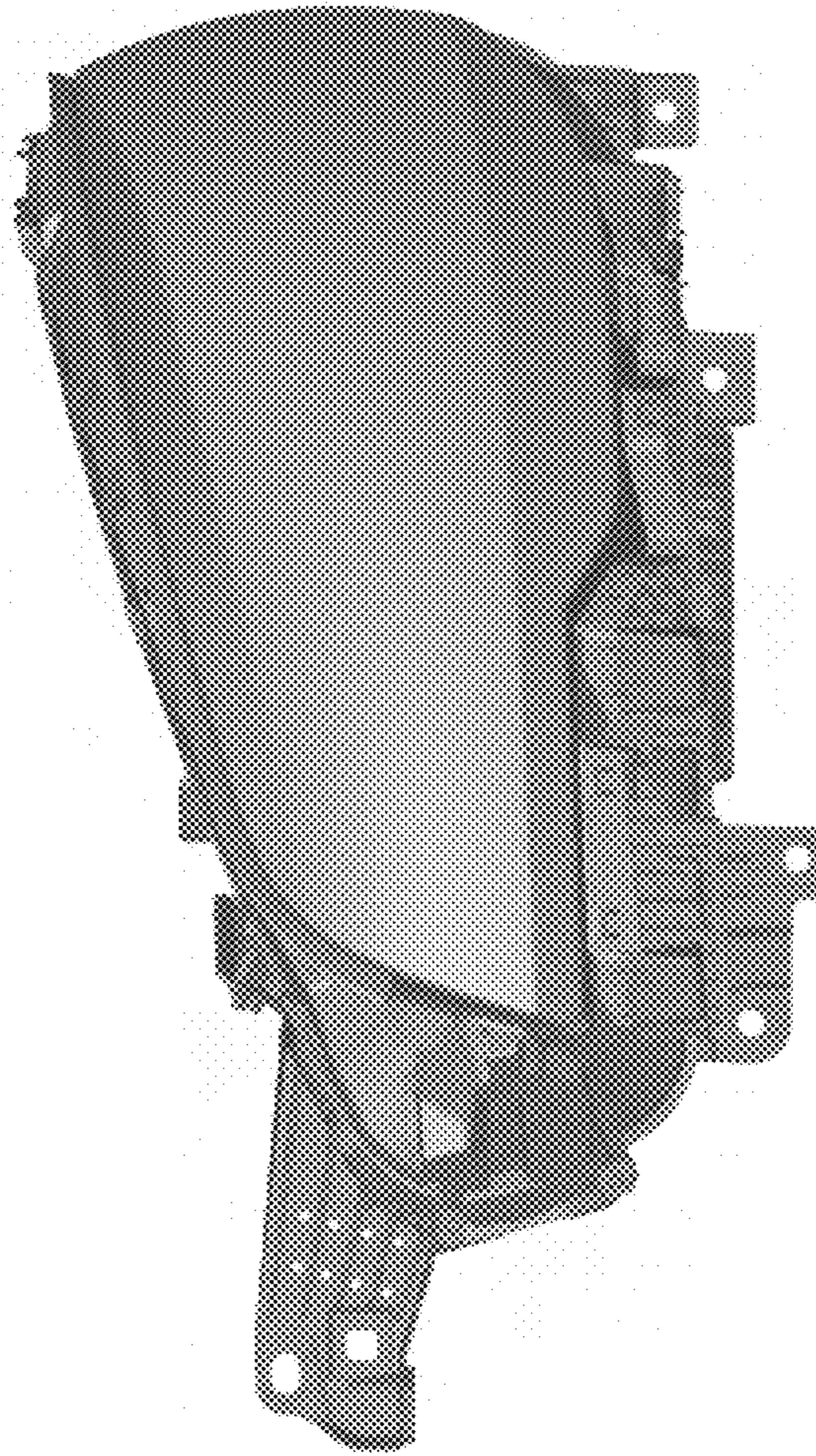


Fig. 18

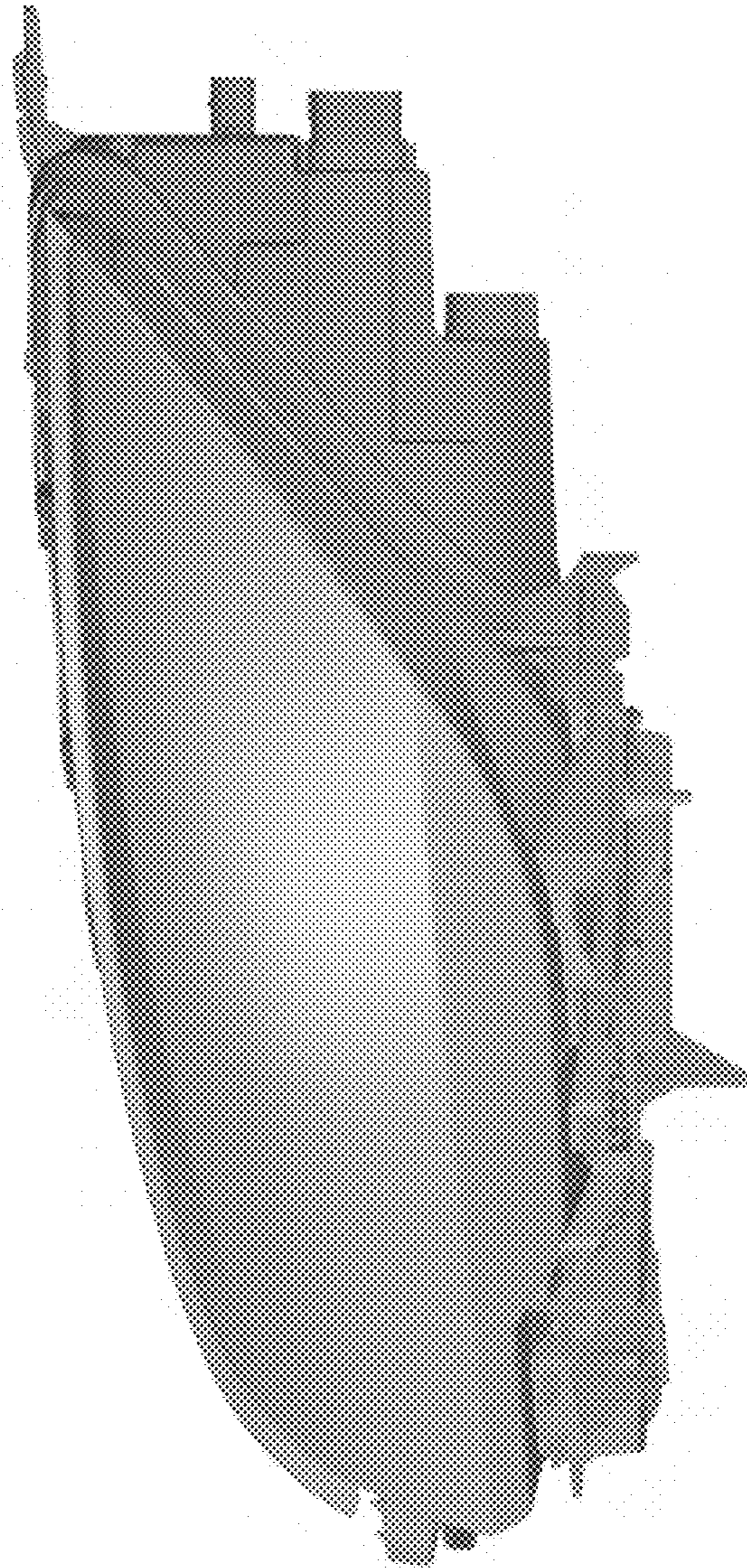


Fig. 19

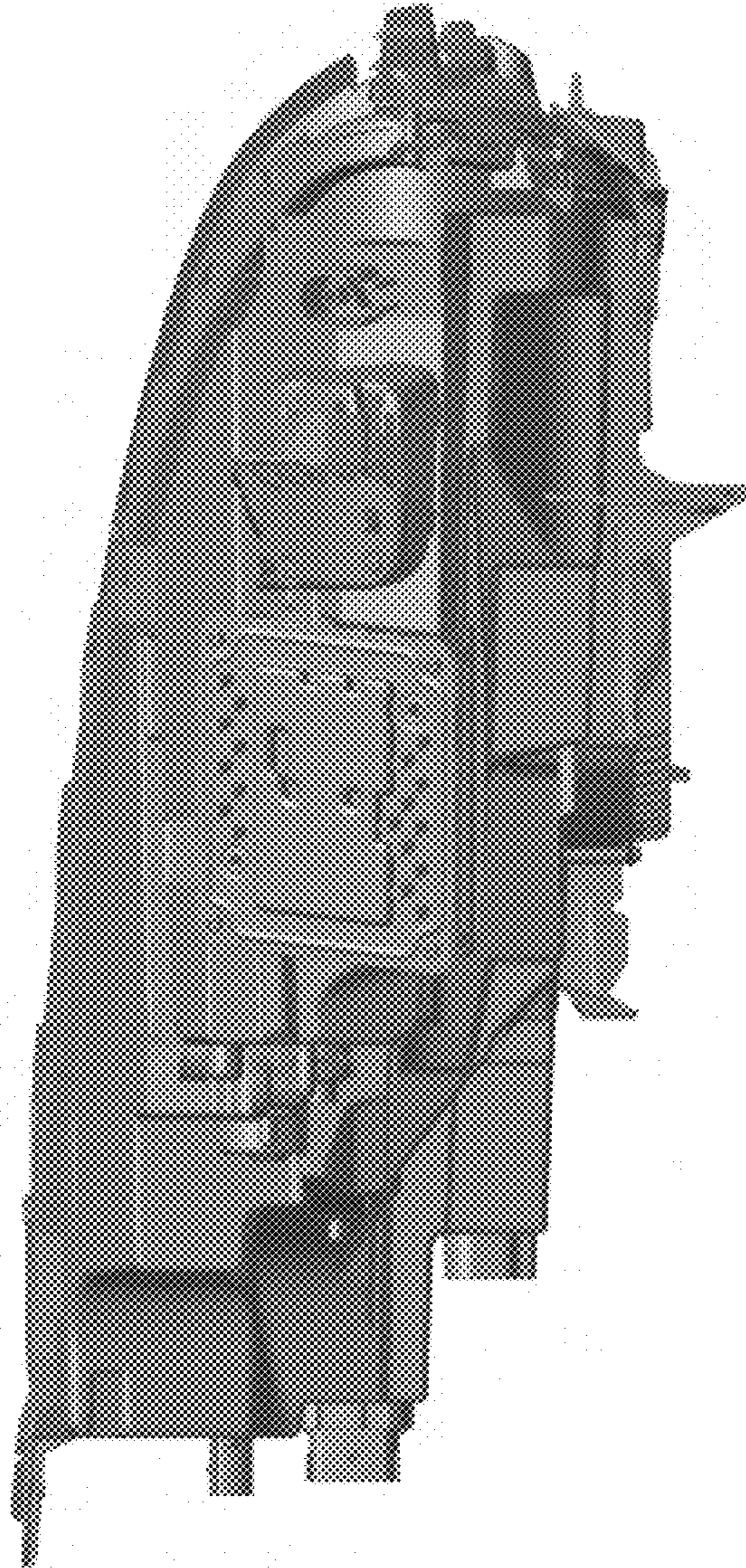


Fig. 20

Fig. 21

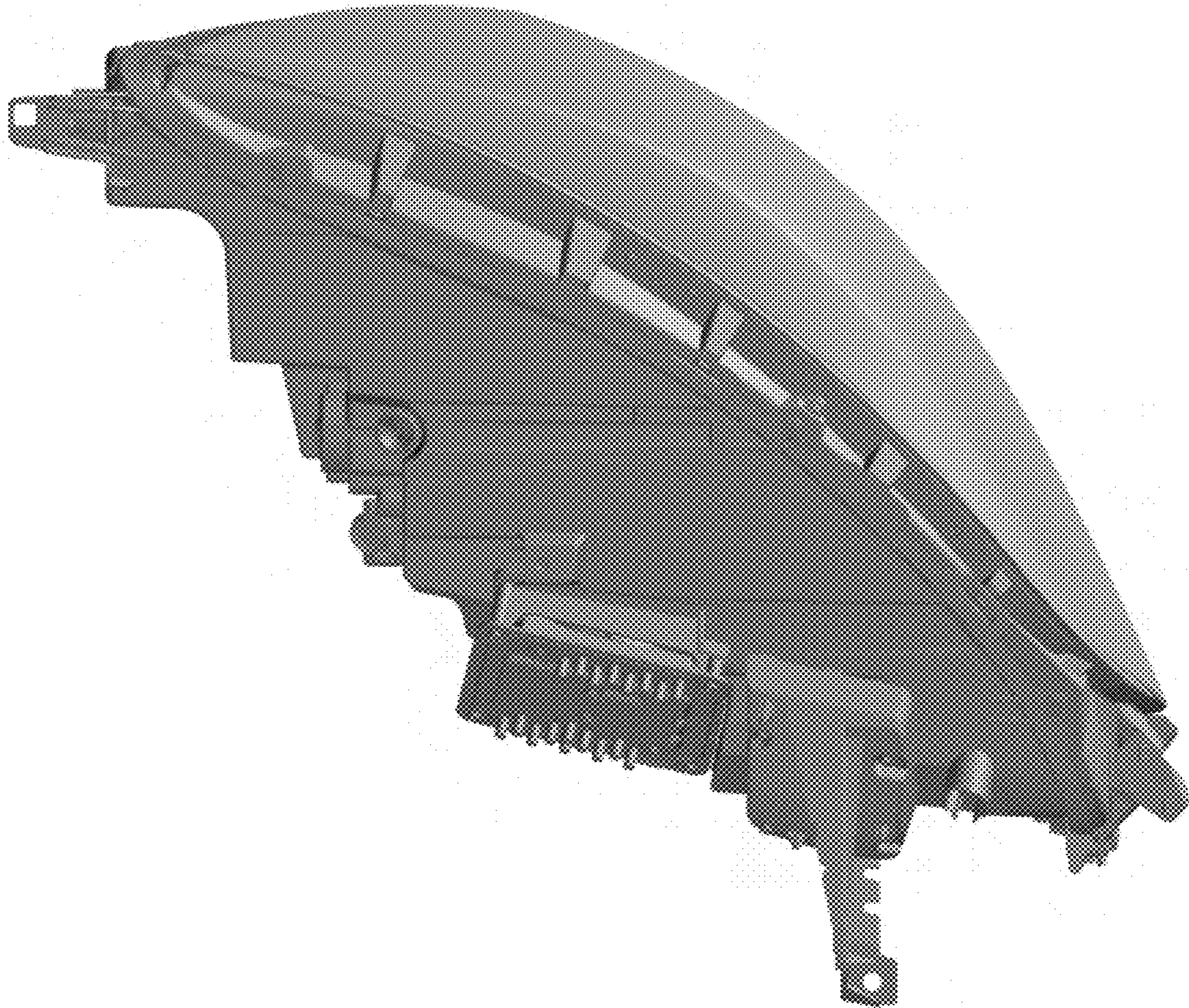
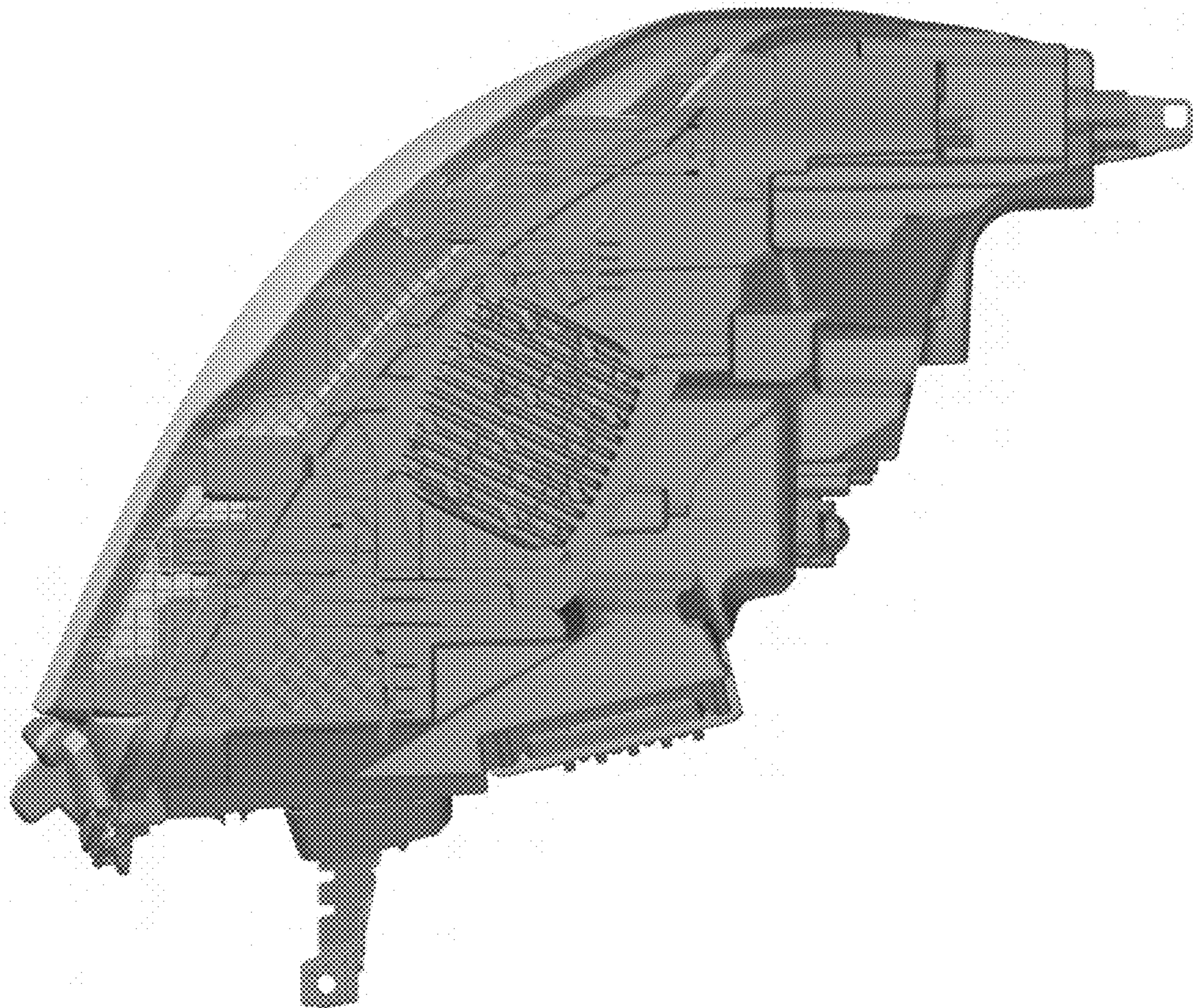


Fig. 22



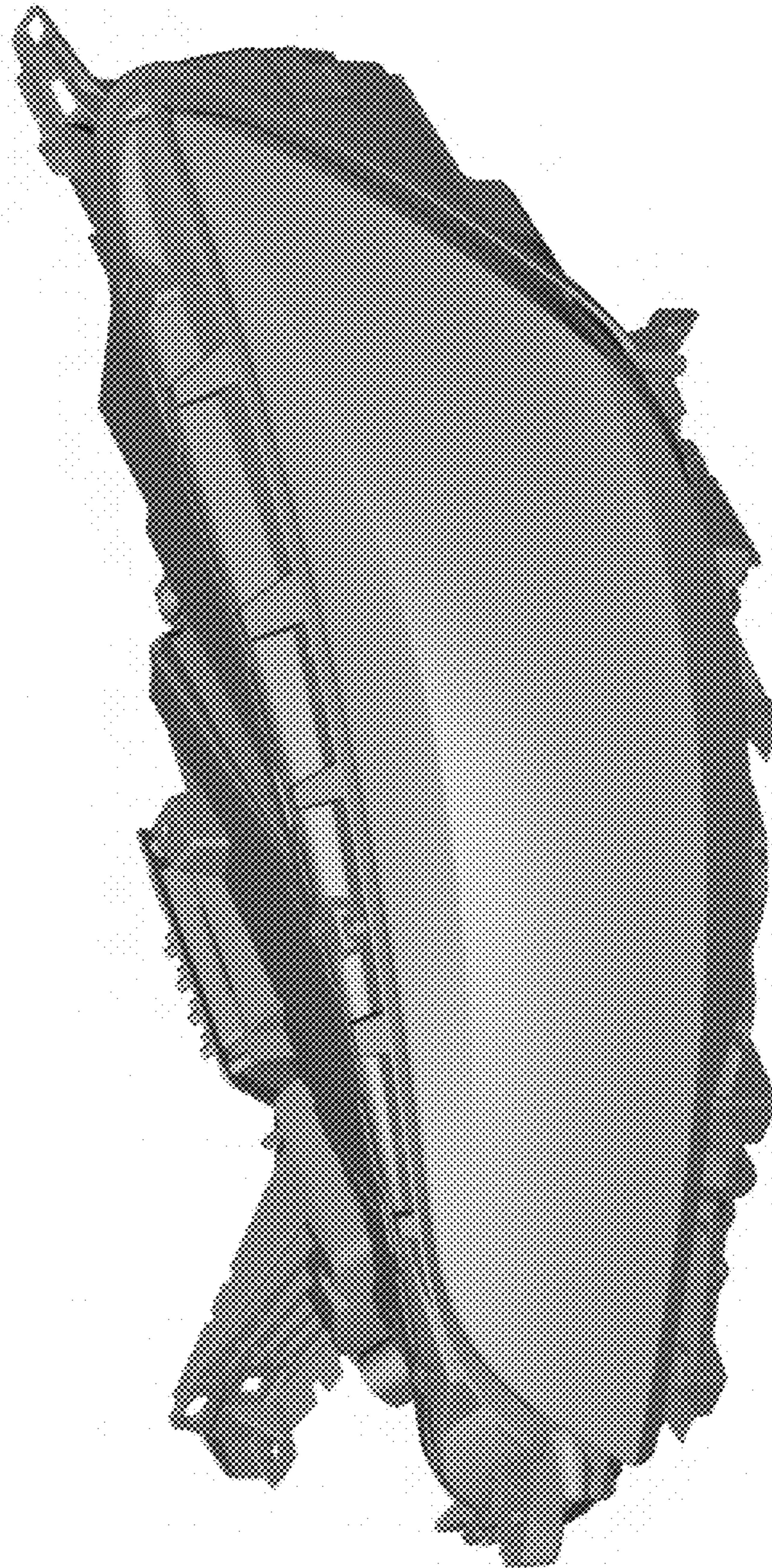


Fig. 23

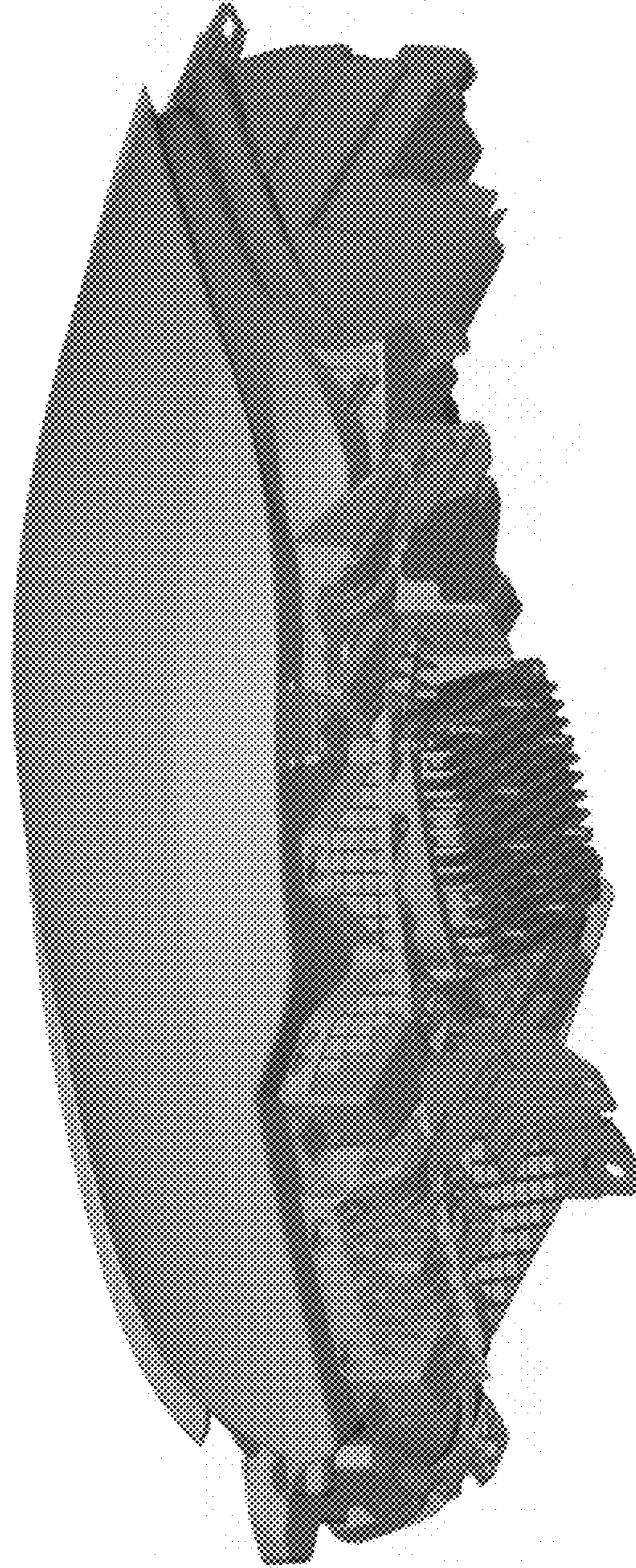


Fig. 24

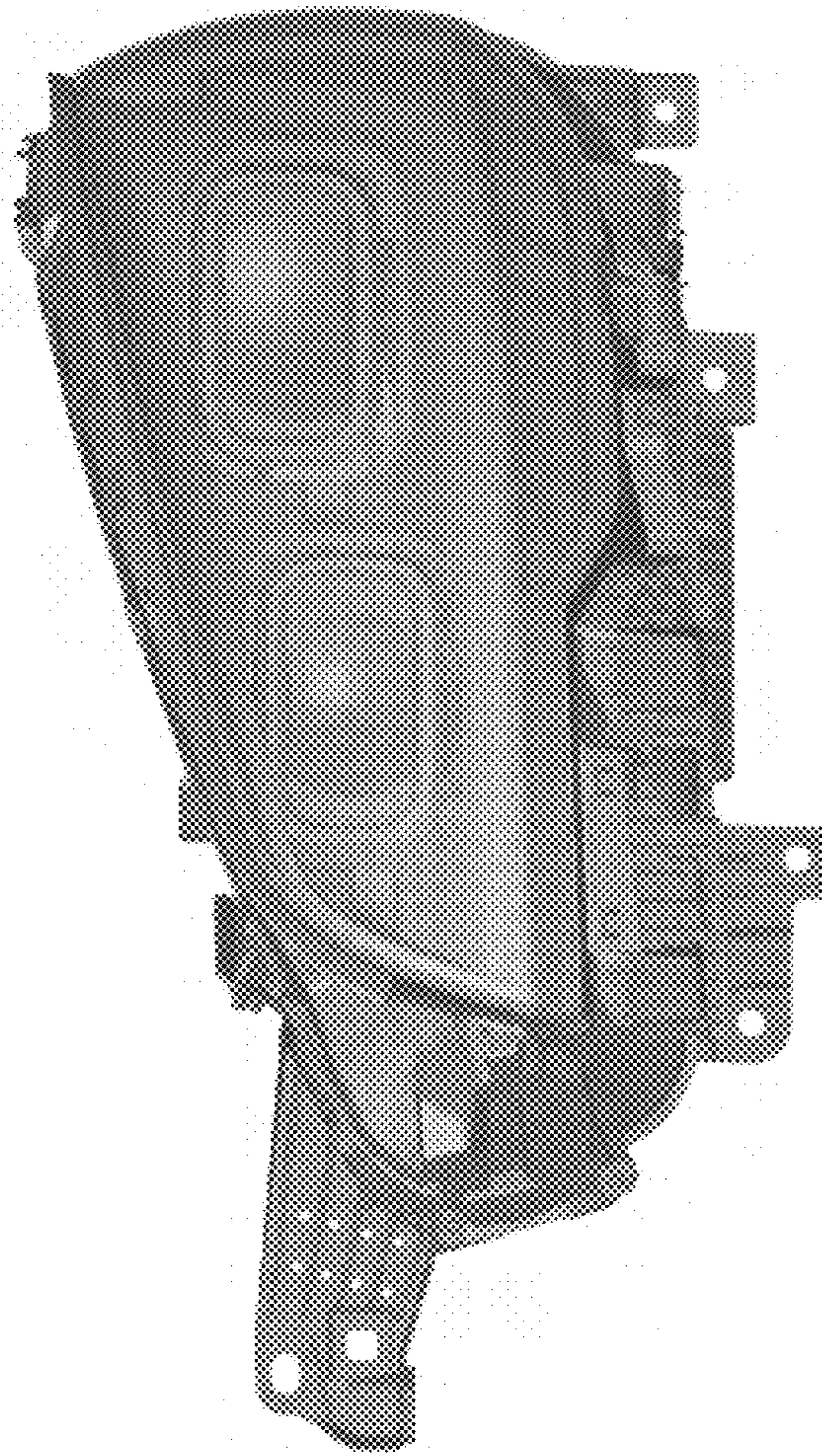


Fig. 25

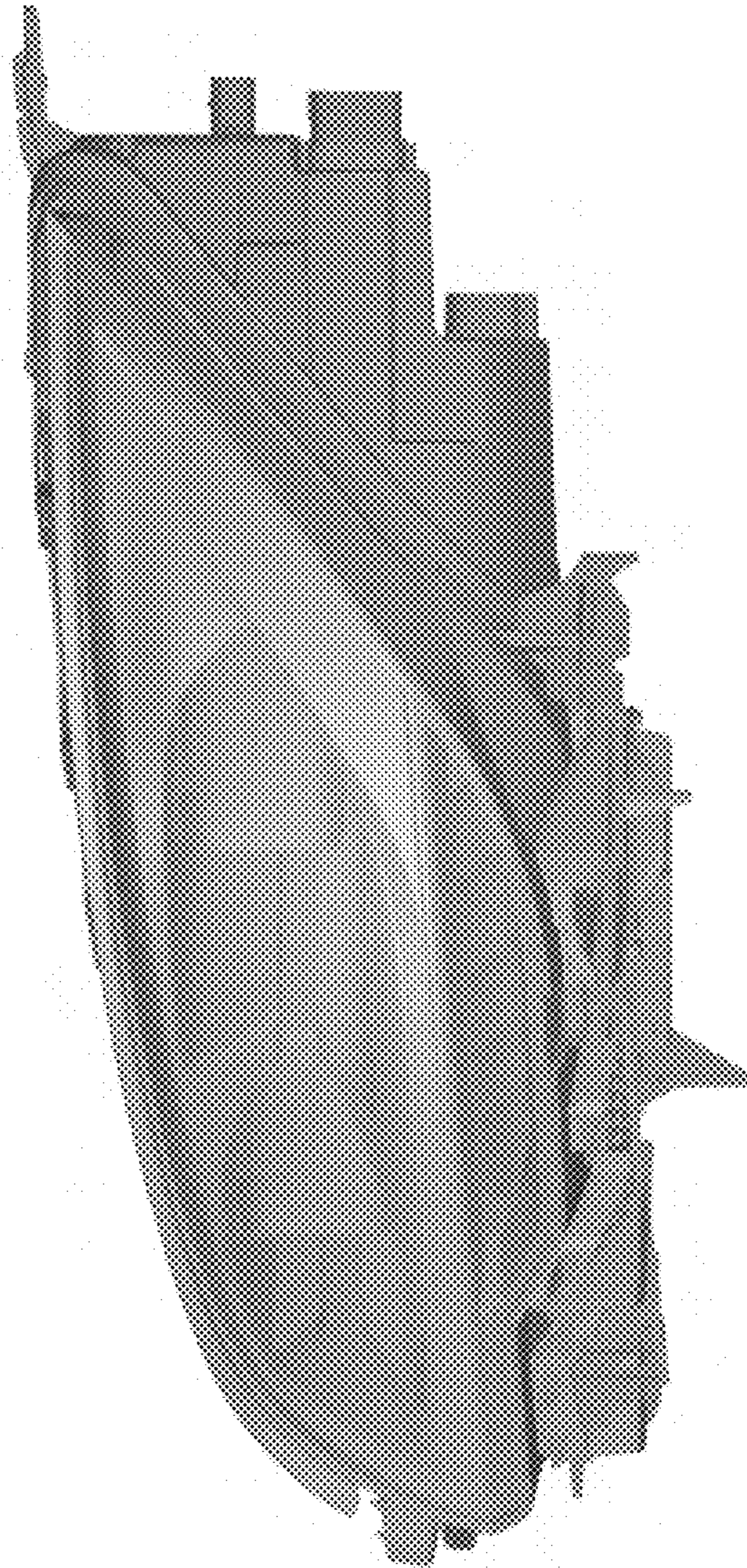


Fig. 26

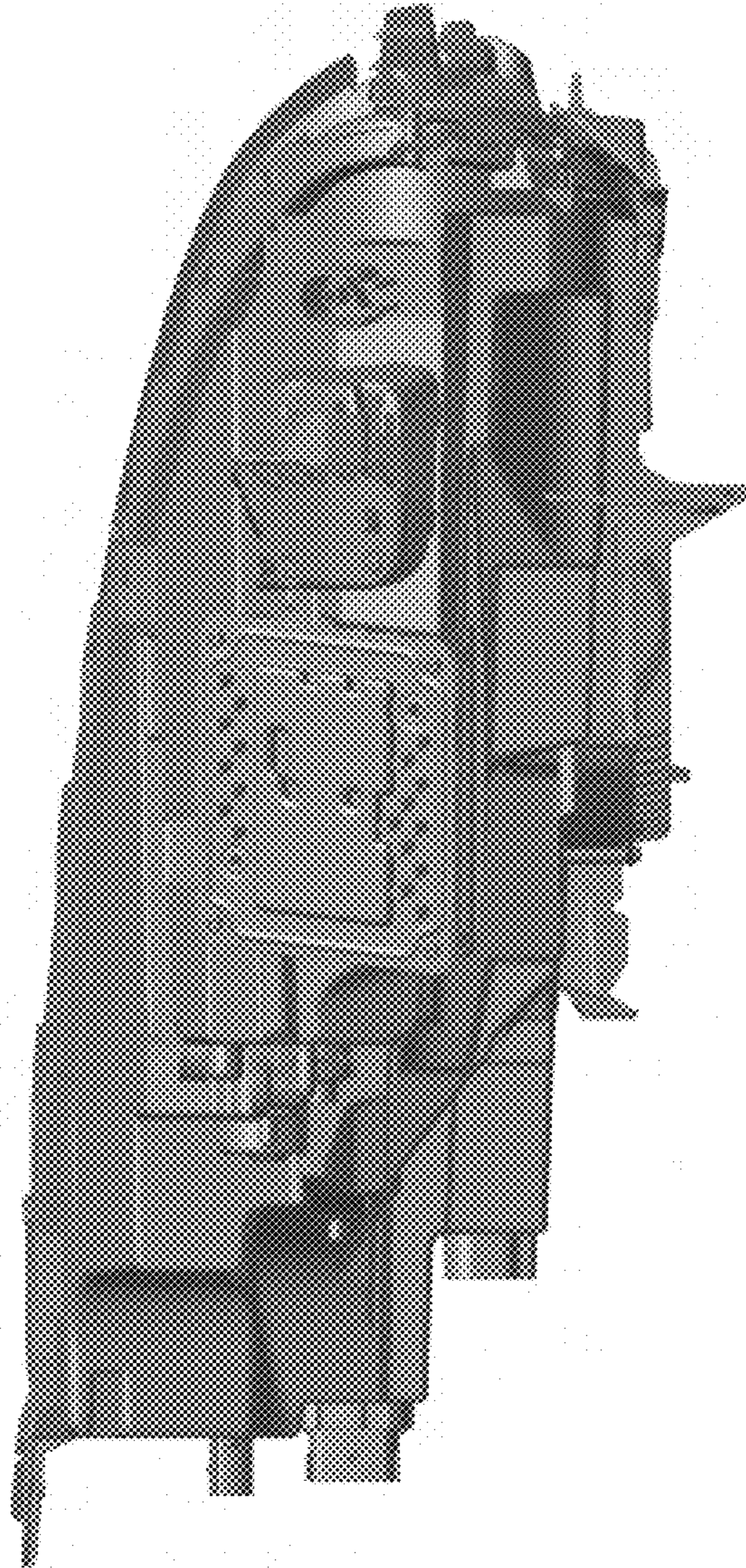


Fig. 27

Fig. 28

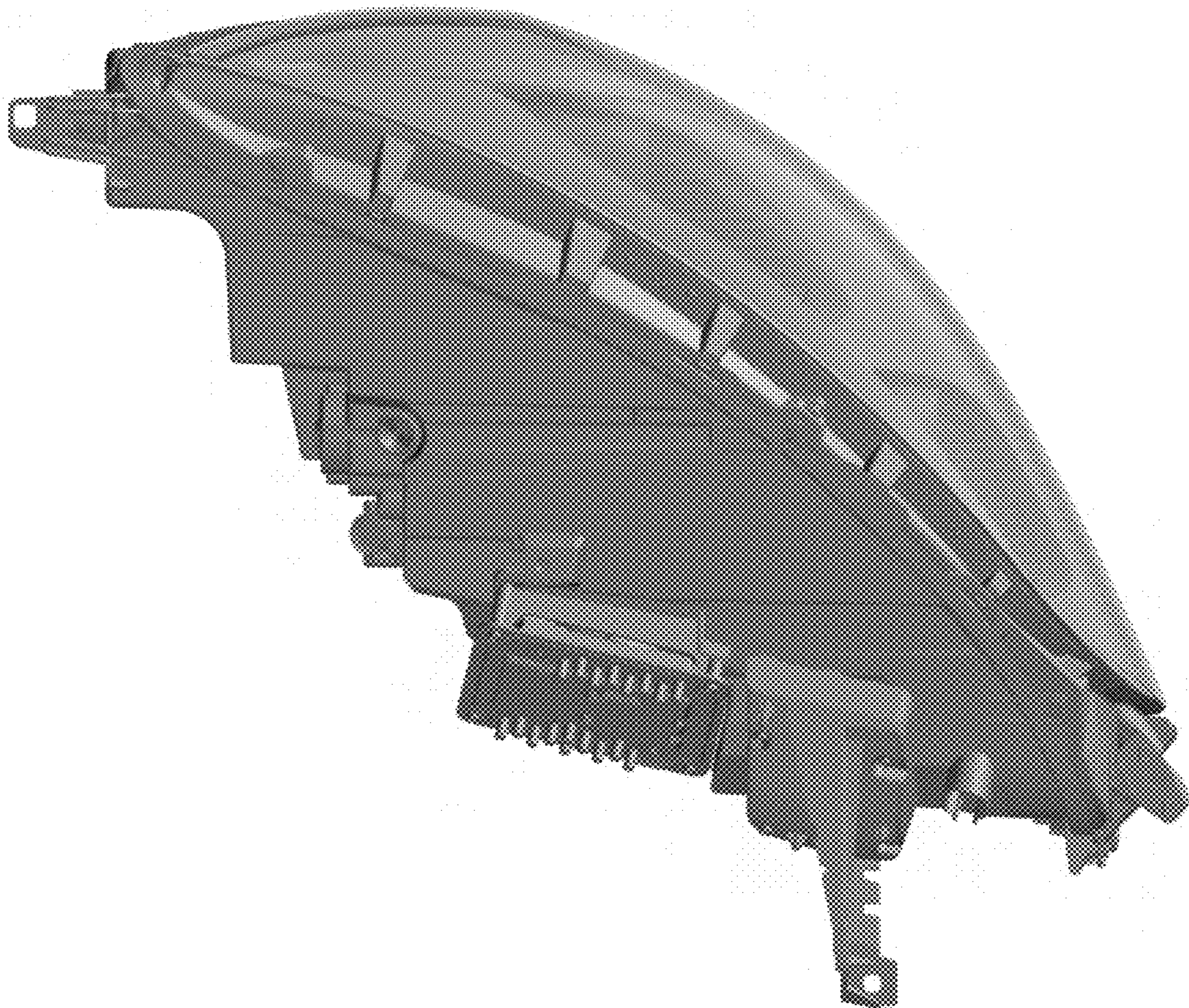
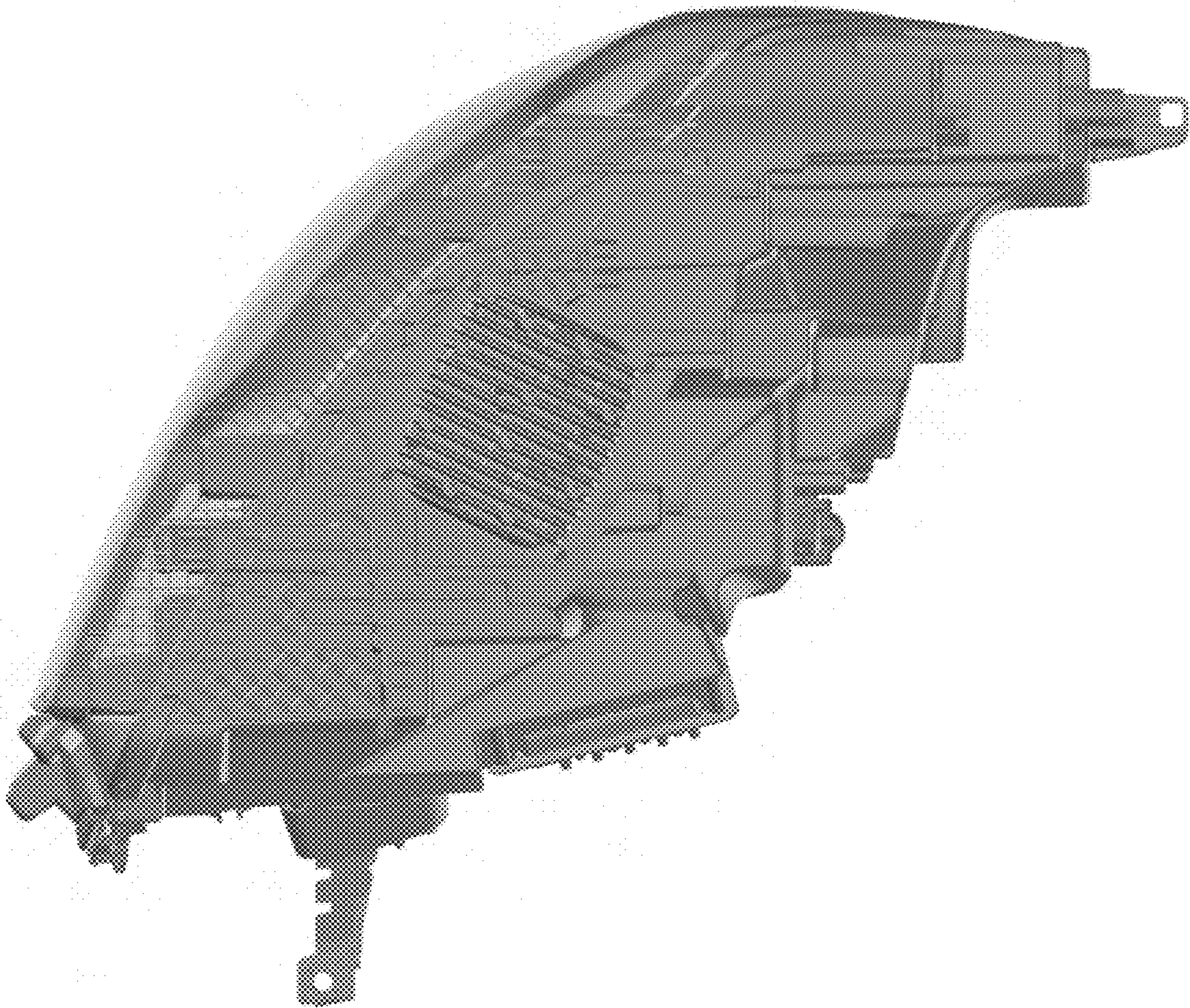


Fig. 29



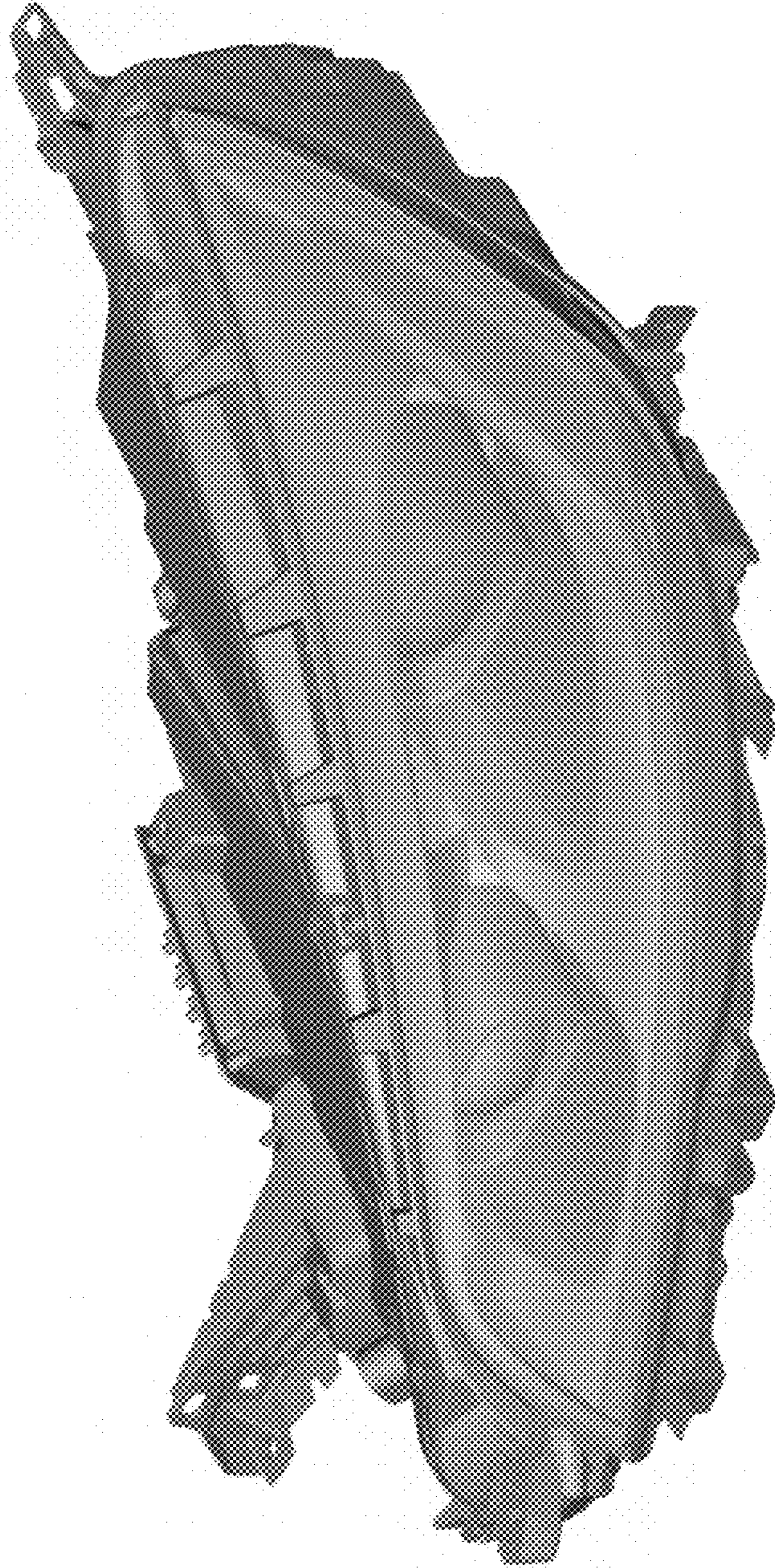


Fig. 30

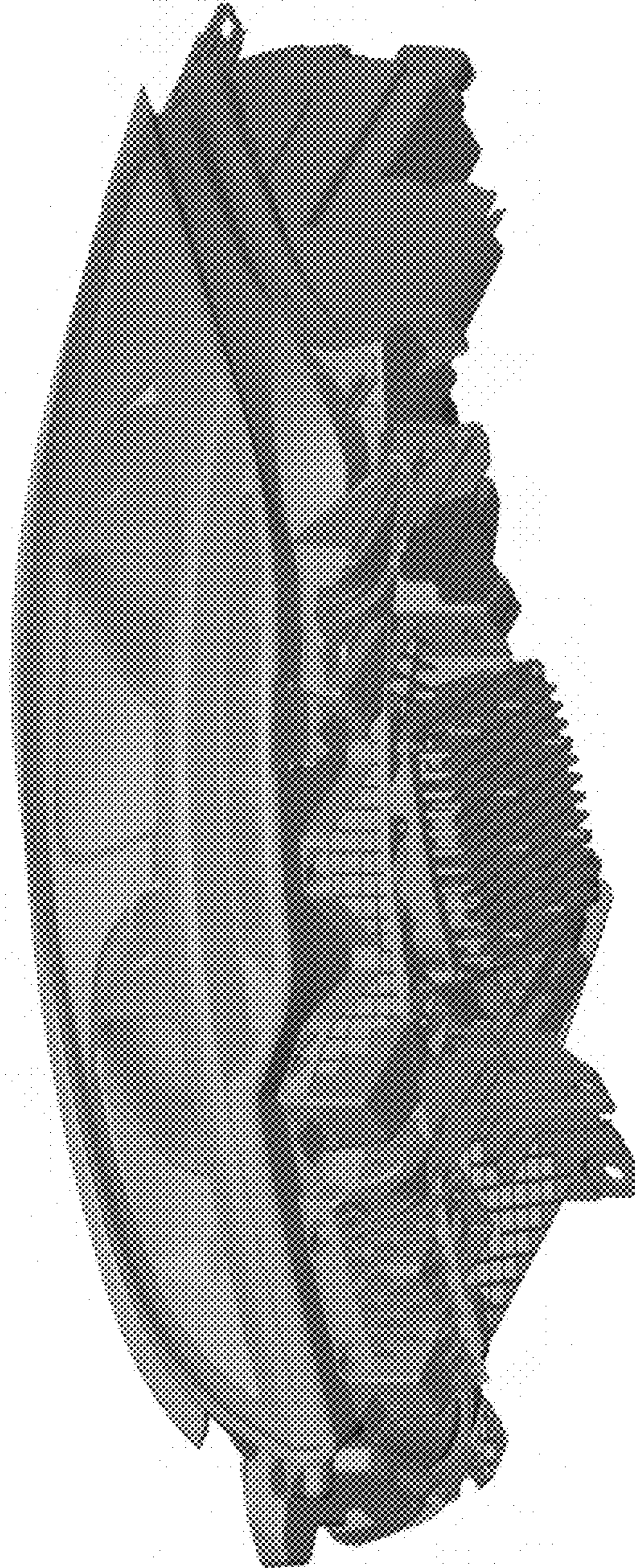


Fig. 31