



US00D889694S

(12) **United States Design Patent** (10) **Patent No.:** **US D889,694 S**
Burgio (45) **Date of Patent:** **** Jul. 7, 2020**

(54) **PAVER SUPPORT**

(71) Applicant: **Frank Burgio**, Staten Island, NY (US)

(72) Inventor: **Frank Burgio**, Staten Island, NY (US)

(**) Term: **15 Years**

(21) Appl. No.: **29/670,003**

(22) Filed: **Nov. 13, 2018**

(51) **LOC (12) Cl.** **25-01**

(52) **U.S. Cl.**
USPC **D25/199**

(58) **Field of Classification Search**
USPC D8/349, 352, 354, 355, 356, 358, 359,
D8/375, 380, 499; D10/62, 66, 69, 74;
D25/199
CPC E04F 15/02044; E04F 15/02183; E04F
15/02447; E04F 15/02464; E01C 3/006;
E01C 11/12; E04D 11/005; E04D 11/007
See application file for complete search history.

(56) **References Cited**

U.S. PATENT DOCUMENTS

5,442,882	A *	8/1995	Repasky	E04D 11/007
					248/188.4
6,604,330	B2 *	8/2003	Repasky	E04D 11/005
					411/395
D557,830	S *	12/2007	Lee	D25/199
7,386,955	B1 *	6/2008	Repasky	E04D 11/005
					248/188.4
D665,657	S *	8/2012	Pelc	D8/354
9,677,690	B2 *	6/2017	Lalancette	F16L 3/04

D861,197	S *	9/2019	Lee	D25/199
2002/0157339	A1 *	10/2002	Repasky	E04D 11/005
					52/506.06
2008/0134591	A1 *	6/2008	Repasky	E04D 11/005
					52/126.5

OTHER PUBLICATIONS

Hanover 1002-pav on high-tab https://www.hanoverpavers.com/images/PDFs/1002-ped_sys.pdf Nov. 27, 2013 (Year: 2013).*

* cited by examiner

Primary Examiner — Leanne Was-Englehart
(74) *Attorney, Agent, or Firm* — Gearhart Law LLC

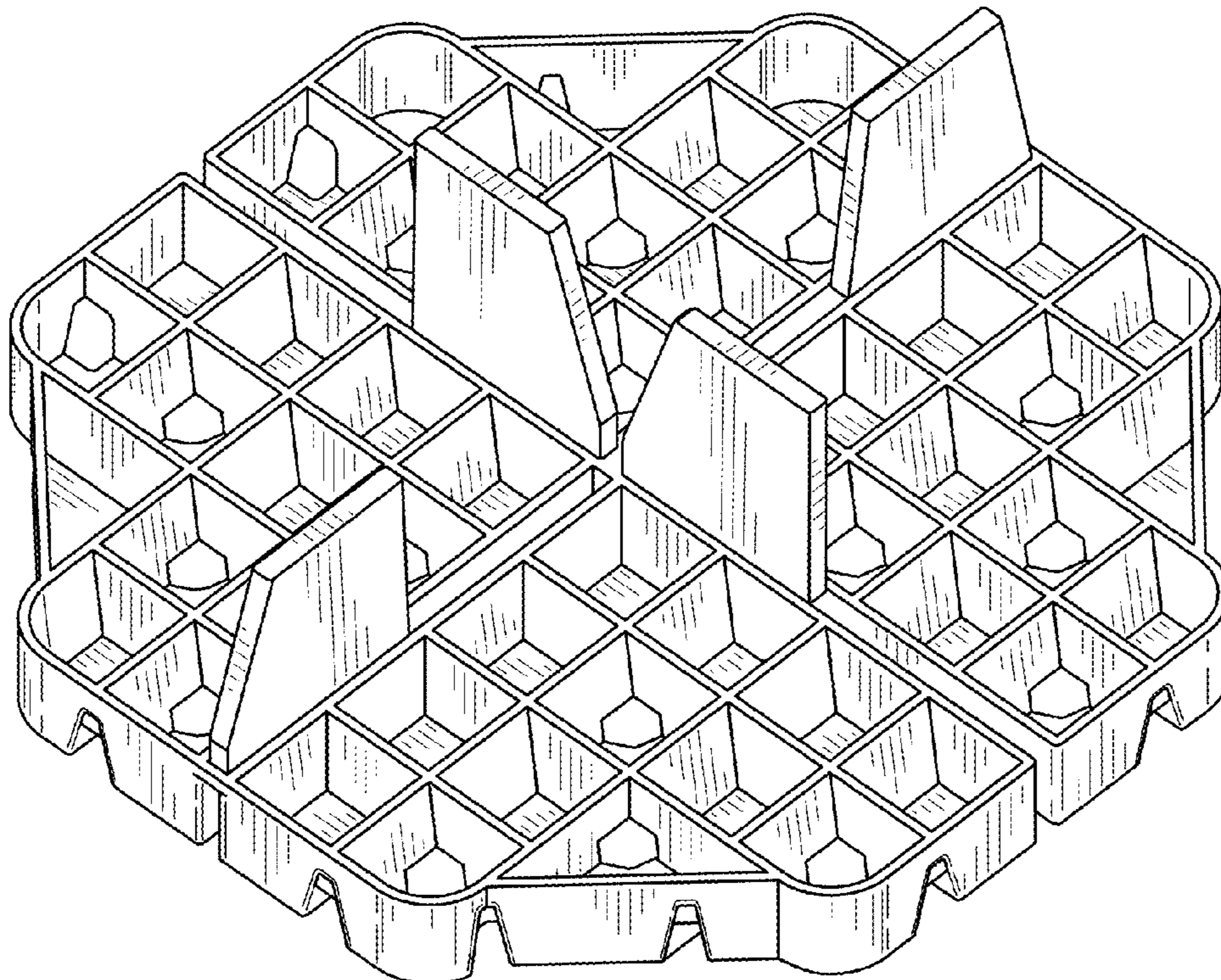
(57) **CLAIM**

The ornamental design for a paver support, as shown and described.

DESCRIPTION

FIG. 1 is a perspective view of the paver support.
FIG. 2 is a first side view thereof.
FIG. 3 is a second side view thereof.
FIG. 4 is a front view thereof.
FIG. 5 is a back view thereof.
FIG. 6 is a top view thereof; and,
FIG. 7 is a bottom view thereof.
The broken lines depict portions of the paver support that form no part of the claimed design.

1 Claim, 5 Drawing Sheets



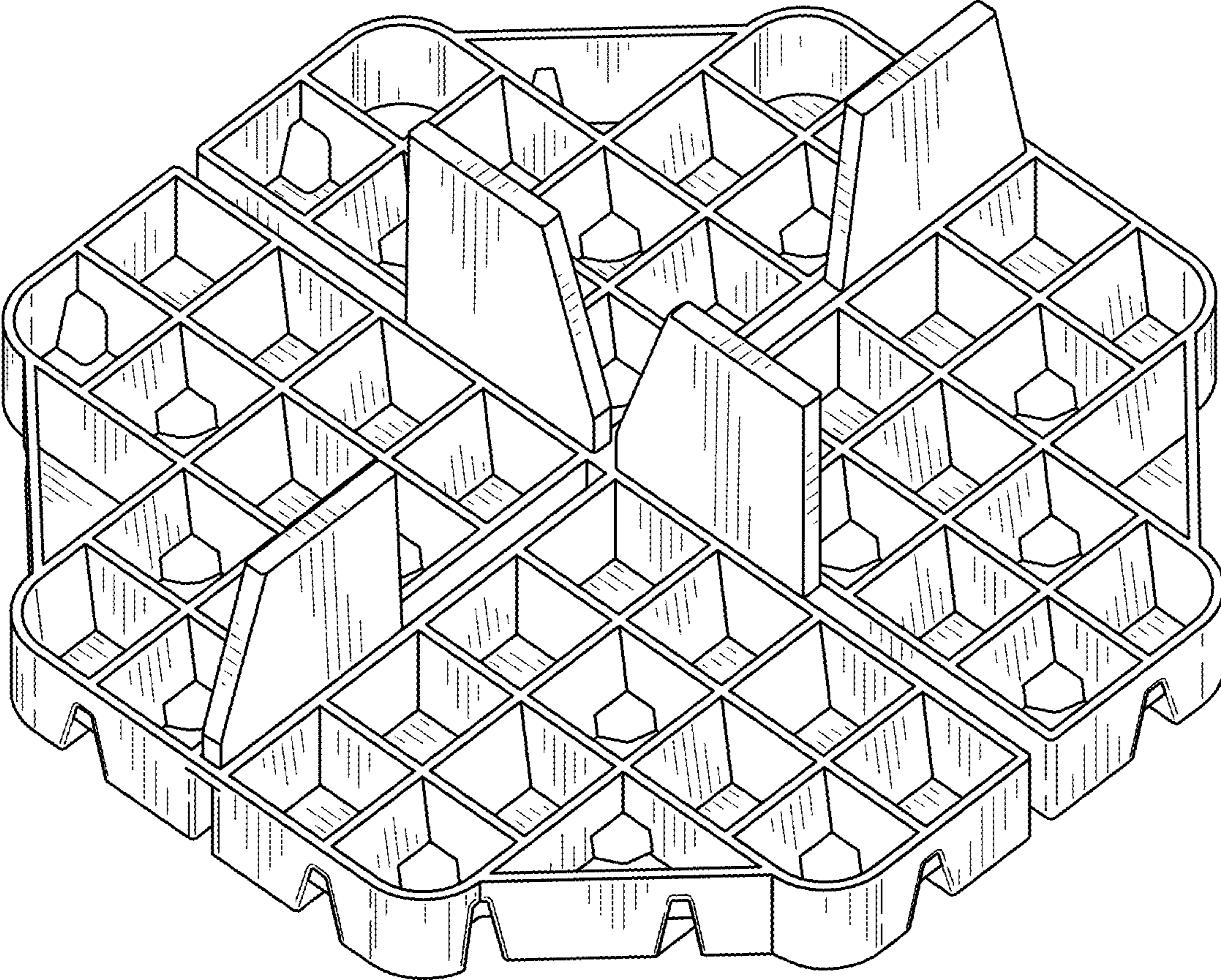


FIG. 1

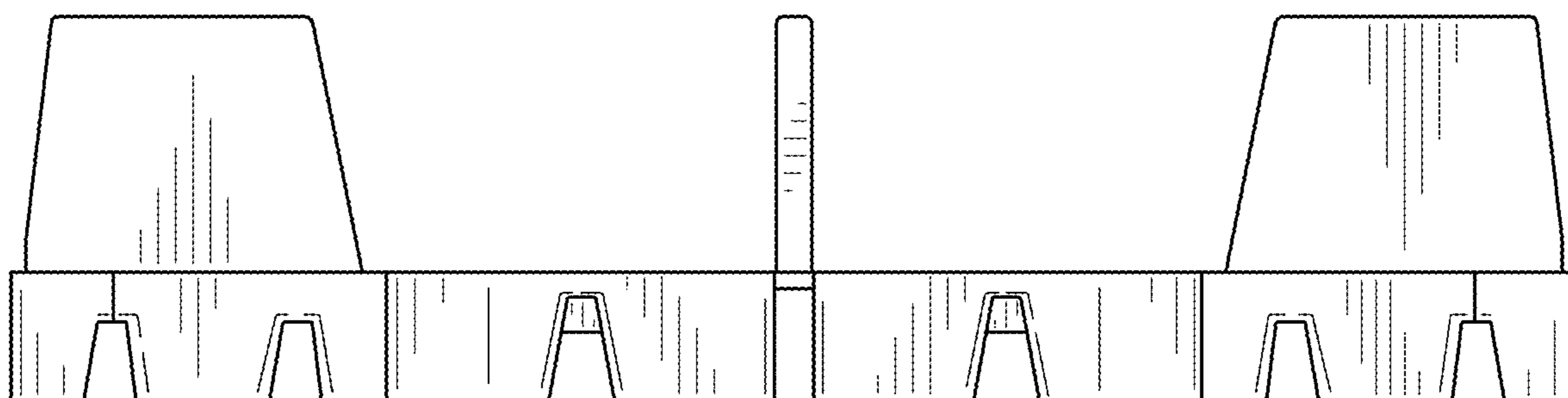


FIG. 2

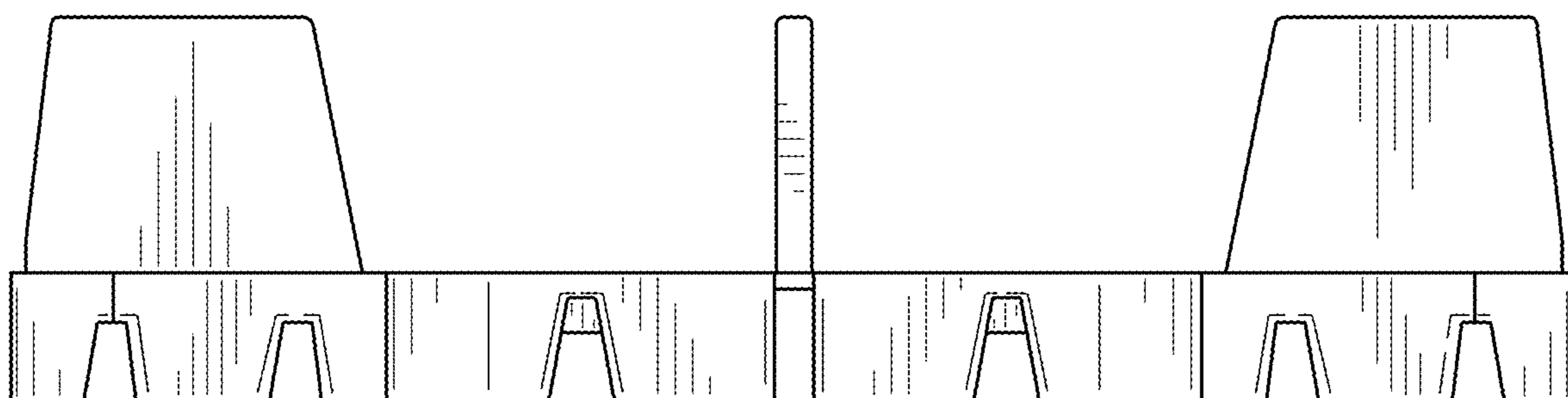


FIG. 3

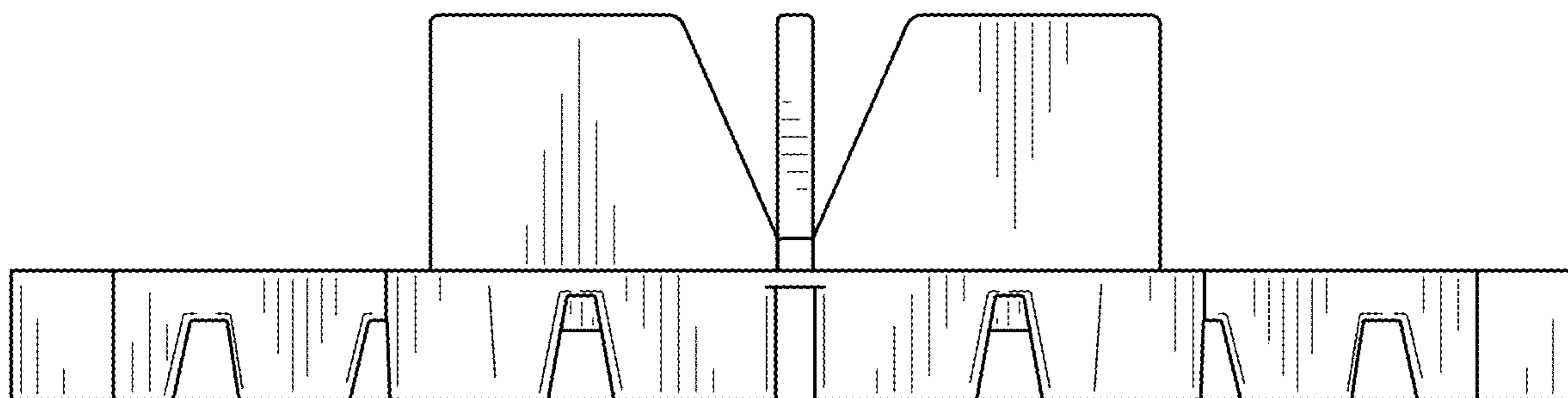


FIG. 4

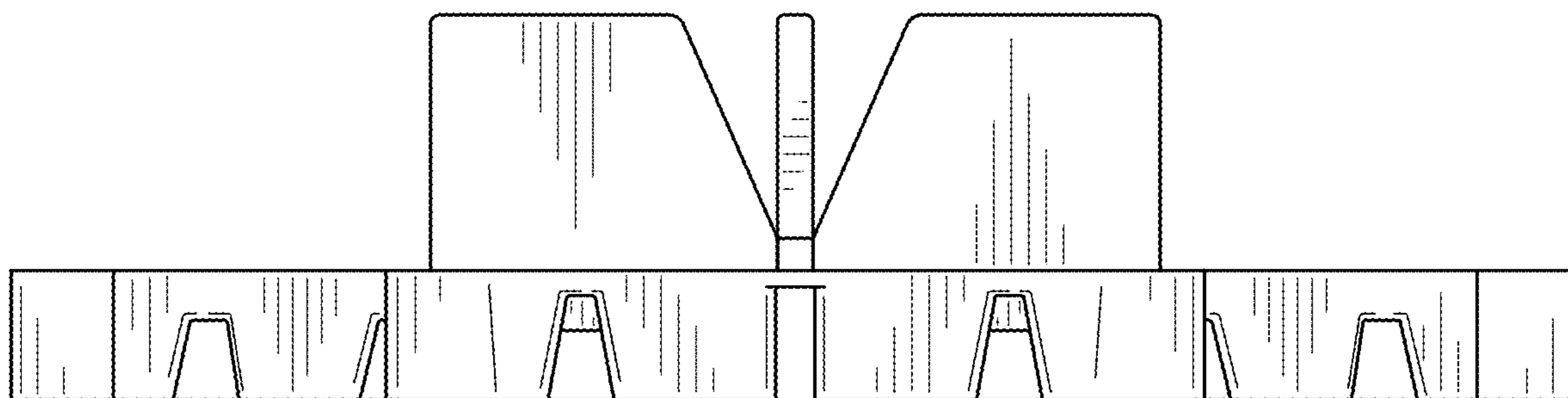


FIG. 5

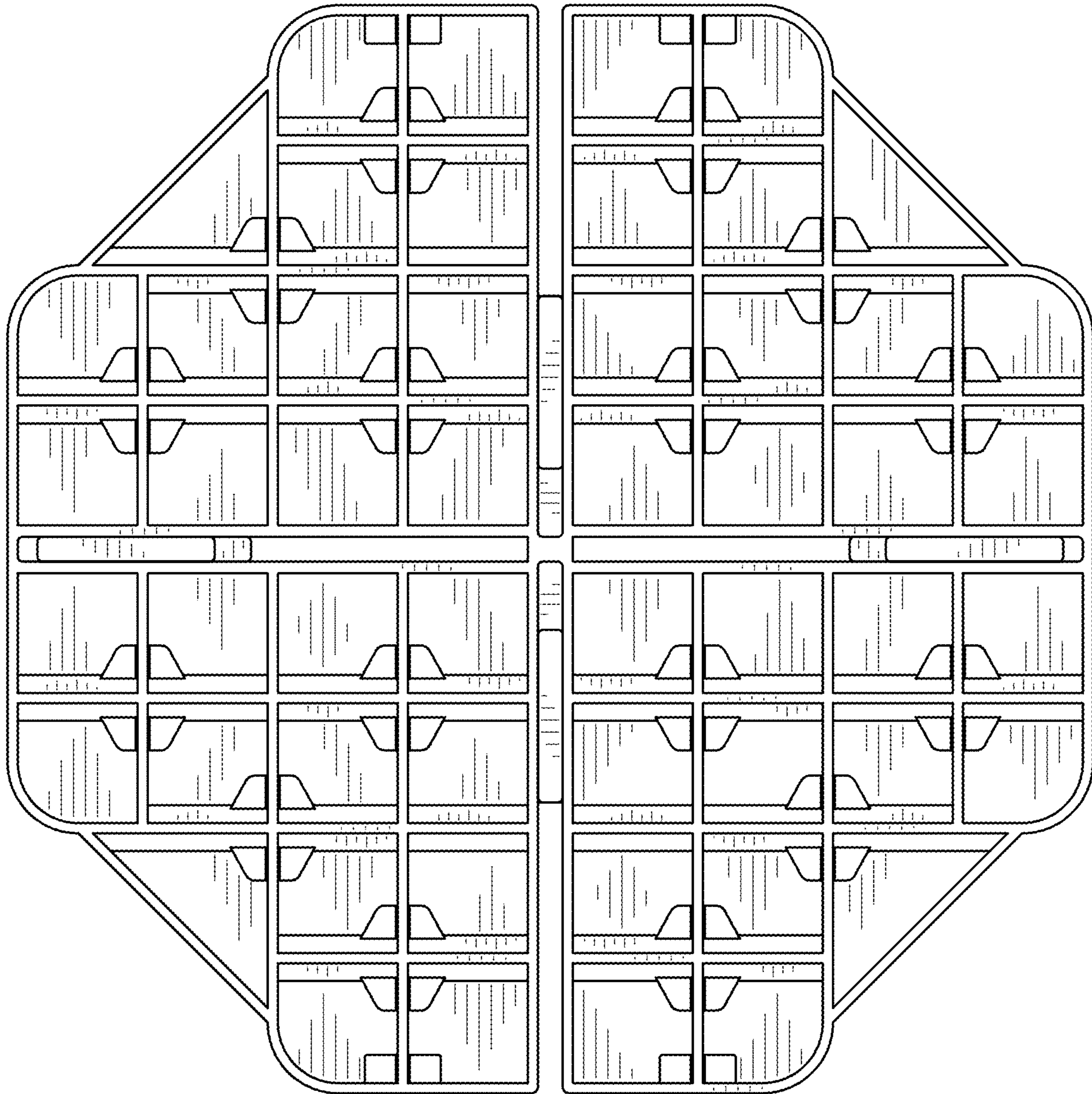


FIG. 6

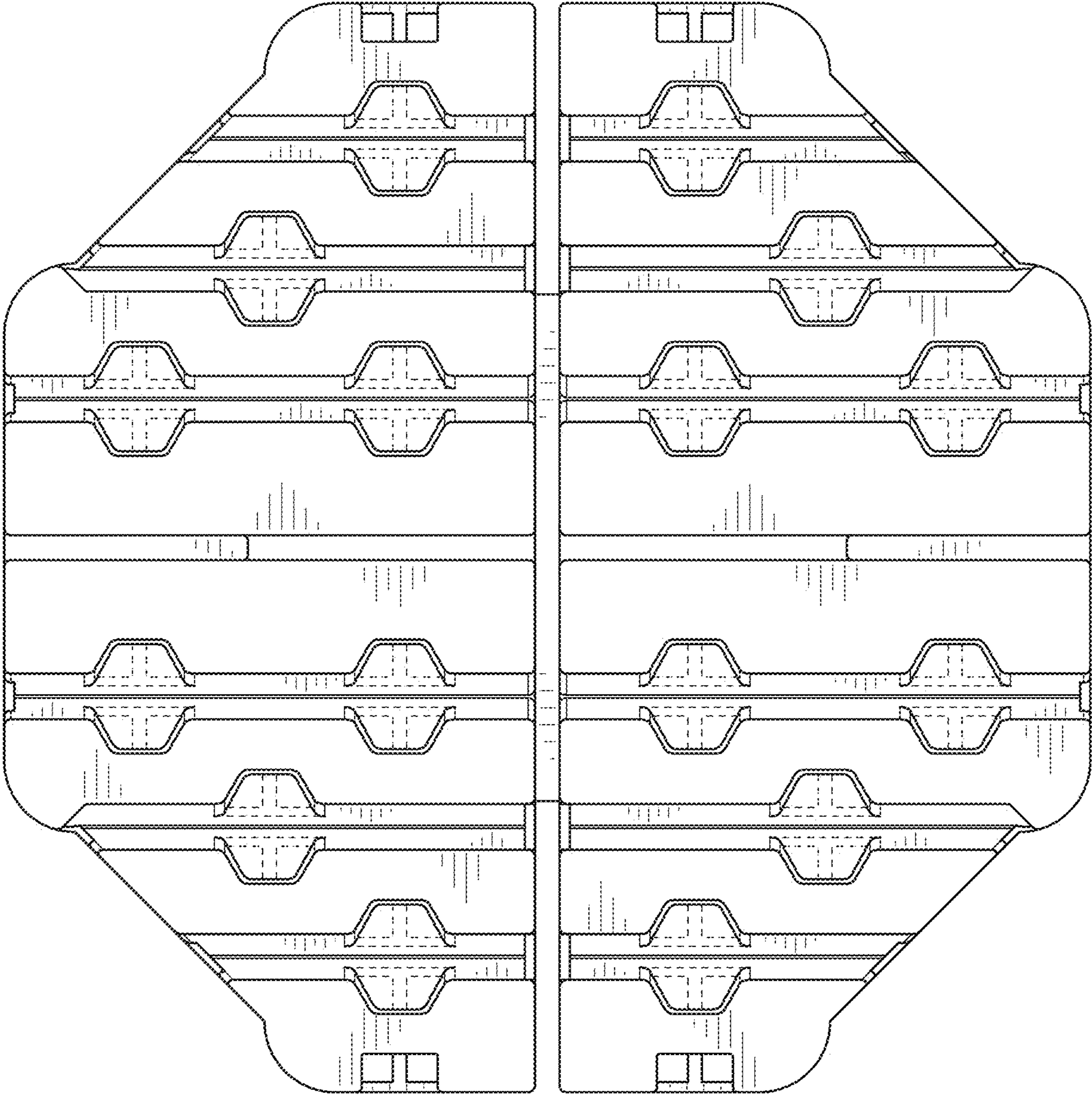


FIG. 7