



US00D889692S

(12) **United States Design Patent** (10) **Patent No.:** **US D889,692 S**
Tavella (45) **Date of Patent:** **** Jul. 7, 2020**

- (54) **COMBINED SEAWALL AND PILASTER REPAIR DEVICE**
- (71) Applicant: **Richard Tavella**, Norwalk, CT (US)
- (72) Inventor: **Richard Tavella**, Norwalk, CT (US)
- (**) Term: **15 Years**
- (21) Appl. No.: **29/592,150**
- (22) Filed: **Jan. 27, 2017**

- 4,023,374 A 5/1977 Colbert et al.
- 4,439,070 A 3/1984 Dimmick
- 4,613,254 A 9/1986 Liebig
- 4,983,072 A 1/1991 Bell, Jr.
- 5,226,751 A 7/1993 Doleshal
- 5,562,364 A 10/1996 Darder-Alomar
- (Continued)

Related U.S. Application Data

- (63) Continuation of application No. 14/804,322, filed on Jul. 20, 2015, now abandoned, which is a continuation-in-part of application No. 13/964,783, filed on Aug. 12, 2013, now abandoned.
- (51) **LOC (12) Cl.** **25-01**
- (52) **U.S. Cl.**
USPC **D25/126**
- (58) **Field of Classification Search**
USPC D25/126, 127, 128, 129, 130, 131, 132, D25/133, 134, 135, 138, 140, 143, 144, D25/148, 157, 158, 159, 160, 161, 162, D25/68, 119; D8/354, 349, 353, 363, D8/366, 373, 376, 380, 381, 400; D6/324, 327, 512, 554, 556
CPC .. B09B 1/00; B09B 1/008; B09C 1/00; B29C 63/06; B29C 66/431; B29L 2031/10; B32B 2419/00; B32B 5/18; E02B 17/0017; E02B 17/0026; E02D 11/00; E02D 2300/0021; E02D 29/02; E02D 29/0266; E02D 5/03; E04G 23/0218
See application file for complete search history.

References Cited

U.S. PATENT DOCUMENTS

- 574,641 A 1/1897 Streator
- 3,397,260 A 8/1968 Lamberton

OTHER PUBLICATIONS

USPTO's Non-Final Office Action in related U.S. Appl. No. 13/964,783, dated Aug. 13, 2014.

Primary Examiner — Samantha Q Lawrence
(74) *Attorney, Agent, or Firm* — Winthrop & Weinstine, P.A.

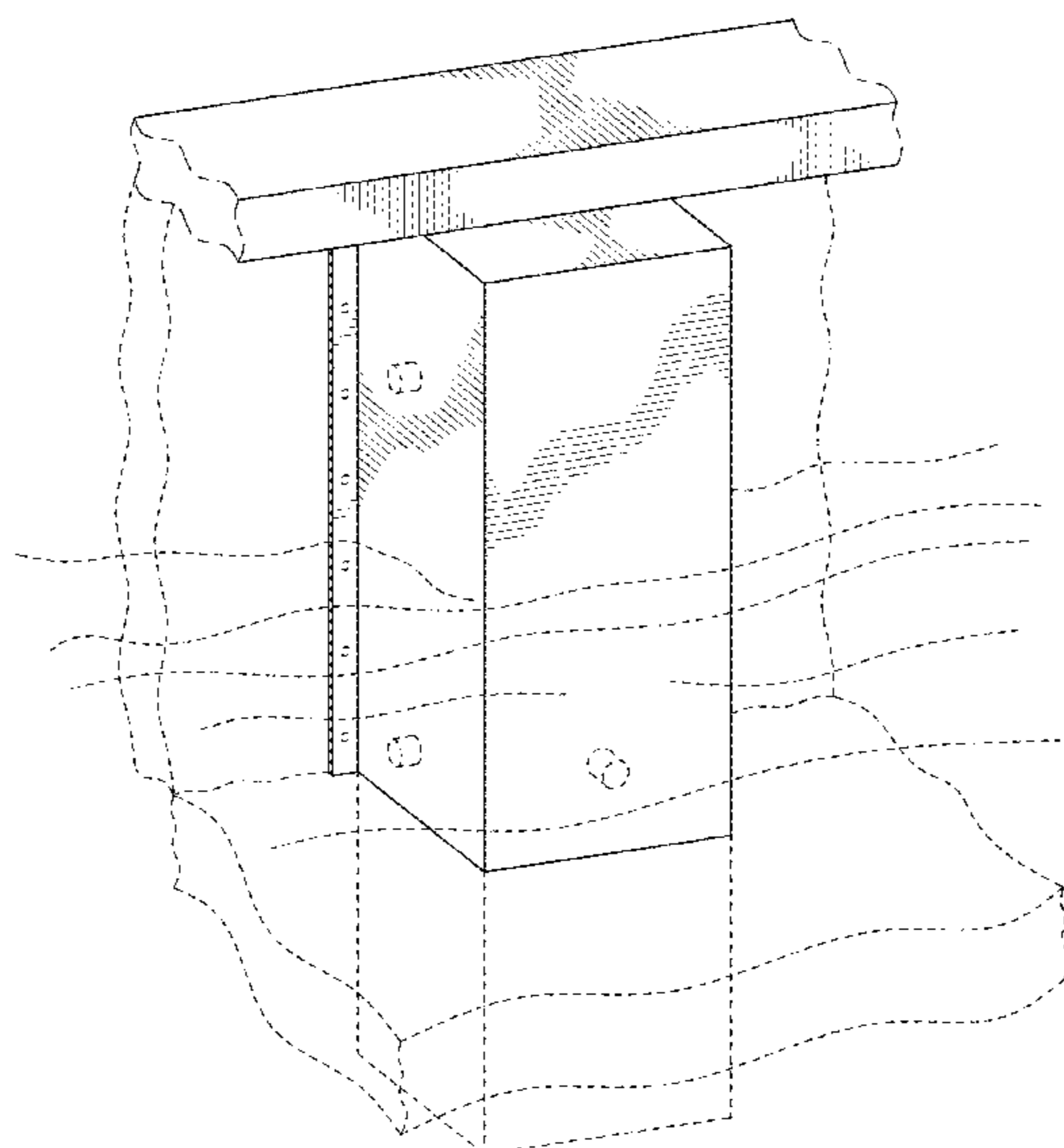
(57) **CLAIM**

The ornamental design for a combined seawall and pilaster repair device, as shown and described.

DESCRIPTION

FIG. 1 is a left perspective view of a first embodiment of the subject seawall and pilaster repair device.
 FIG. 2 is a right perspective view thereof.
 FIG. 3 is a top view thereof.
 FIG. 4 is a front view thereof.
 FIG. 5 is a left perspective view of a second embodiment of the subject seawall and pilaster repair device.
 FIG. 6 is a right perspective view thereof.
 FIG. 7 is a top view thereof; and,
 FIG. 8 is a front view thereof.
 The broken lines shown in FIGS. 1-8 illustrate environment and form no part of the claimed design. The broken lines showing the circular objects on the repair device in FIGS. 1-6 and FIG. 8 illustrate portions of the combined seawall and pilaster repair device and form no part of the claimed design. The dash-dot lines on the left and right sides of the seawall shown in FIGS. 1-8 illustrate boundary lines and form no part of the claimed design.

1 Claim, 8 Drawing Sheets



(56)

References Cited

U.S. PATENT DOCUMENTS

5,573,354 A 11/1996 Koch
 5,603,187 A * 2/1997 Merrin E04D 13/12
 52/58
 5,714,045 A 2/1998 Lasa et al.
 5,716,166 A 2/1998 Phillips et al.
 6,033,150 A 3/2000 Culen
 6,347,911 B1 2/2002 Blair et al.
 D469,342 S * 1/2003 Metzentine D8/373
 6,561,736 B1 5/2003 Doleshal
 6,575,667 B1 * 6/2003 Burt E02D 5/04
 405/274
 D503,330 S * 3/2005 Murphy D8/354
 D547,637 S * 7/2007 Blacker D8/354
 D548,064 S * 8/2007 Norton D8/380
 7,470,093 B2 12/2008 Mansfield
 D595,115 S * 6/2009 Royer D8/354
 D598,734 S * 8/2009 Miranda D8/363
 7,628,570 B2 12/2009 Davidsaver et al.
 D614,483 S * 4/2010 Leibe, III D8/400
 8,065,848 B2 * 11/2011 Carlson B32B 5/18
 264/271.1
 D665,656 S * 8/2012 Anzelmo D8/380
 8,419,317 B2 * 4/2013 Irvine E02D 5/02
 405/272

D709,358 S * 7/2014 Fugett D8/380
 D713,463 S * 9/2014 Dougherty D20/43
 D780,557 S * 3/2017 Foley D8/354
 D801,547 S * 10/2017 Lopez D25/68
 D802,164 S * 11/2017 Lopez D25/68
 9,816,281 B2 * 11/2017 Angelo E04G 23/0229
 9,845,584 B1 * 12/2017 Goldammer E02D 5/14
 9,850,658 B2 * 12/2017 Alcala Ordaz E04B 2/8635
 D811,853 S * 3/2018 Foley D8/354
 10,011,967 B2 * 7/2018 Kriegstein B29C 63/06
 10,024,046 B2 * 7/2018 Higginbotham E04B 5/12
 D825,315 S * 8/2018 Inzeo D8/349
 D842,684 S * 3/2019 House D8/354
 D843,819 S * 3/2019 House D8/366
 D843,820 S * 3/2019 House D8/366
 D843,823 S * 3/2019 Bouchard D8/382
 2002/0094239 A1 7/2002 Bradley et al.
 2003/0085482 A1 5/2003 Sincock et al.
 2004/0013901 A1 1/2004 Irvine et al.
 2011/0185659 A1 * 8/2011 Lorenz E04F 13/0805
 52/302.1
 2011/0280666 A1 11/2011 Varnam
 2013/0014453 A1 1/2013 Hargrave et al.
 2013/0294841 A1 11/2013 Fey
 2014/0298656 A1 10/2014 Ehsani

* cited by examiner

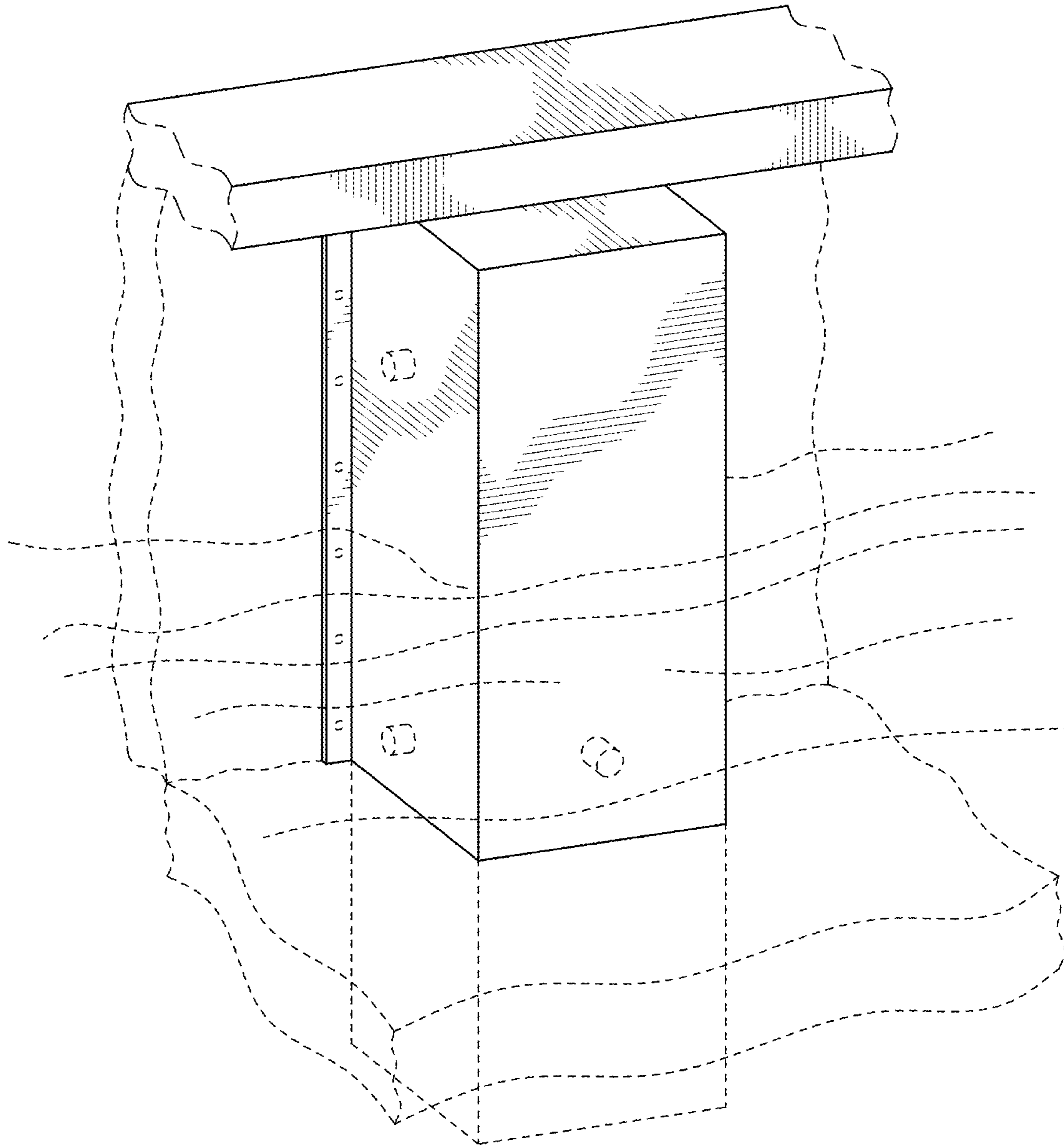


FIG. 1

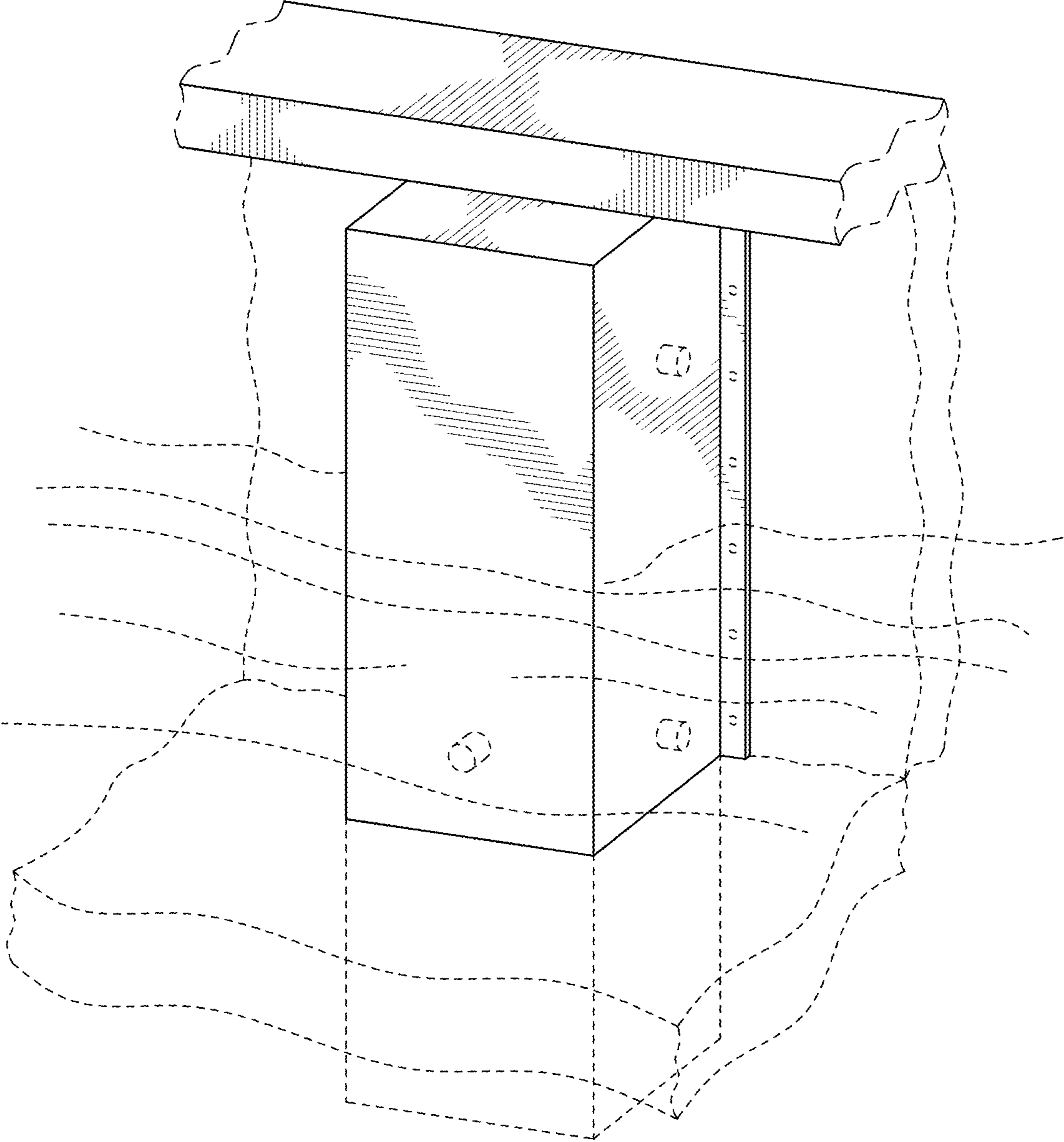


FIG.2

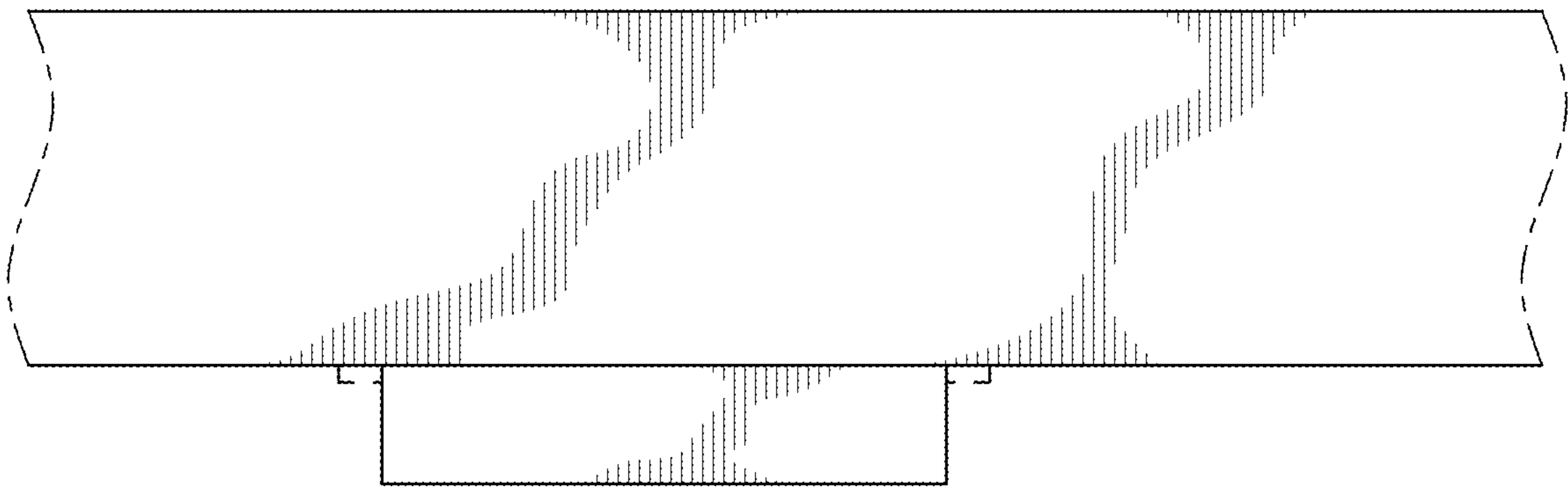


FIG.3

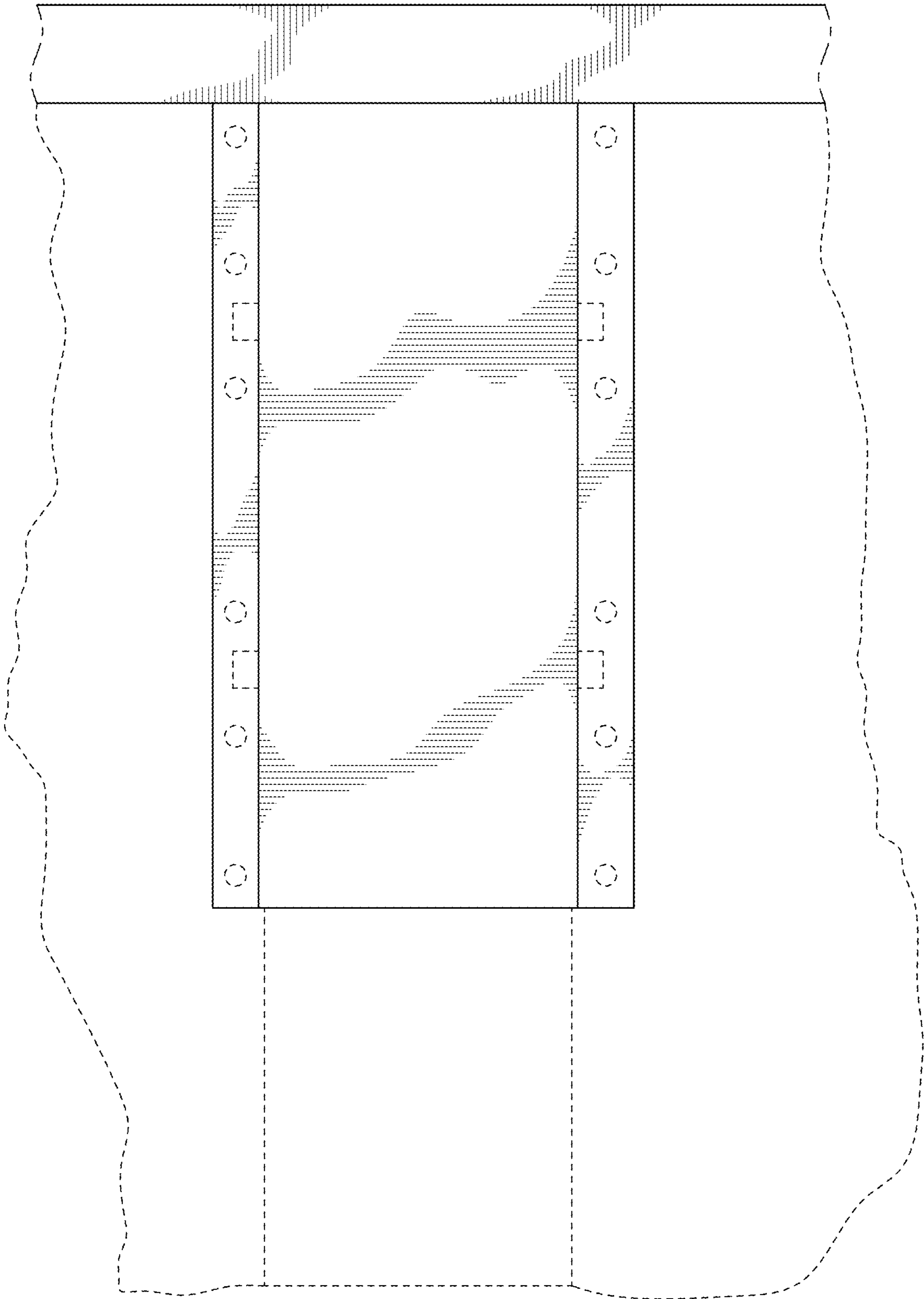


FIG.4

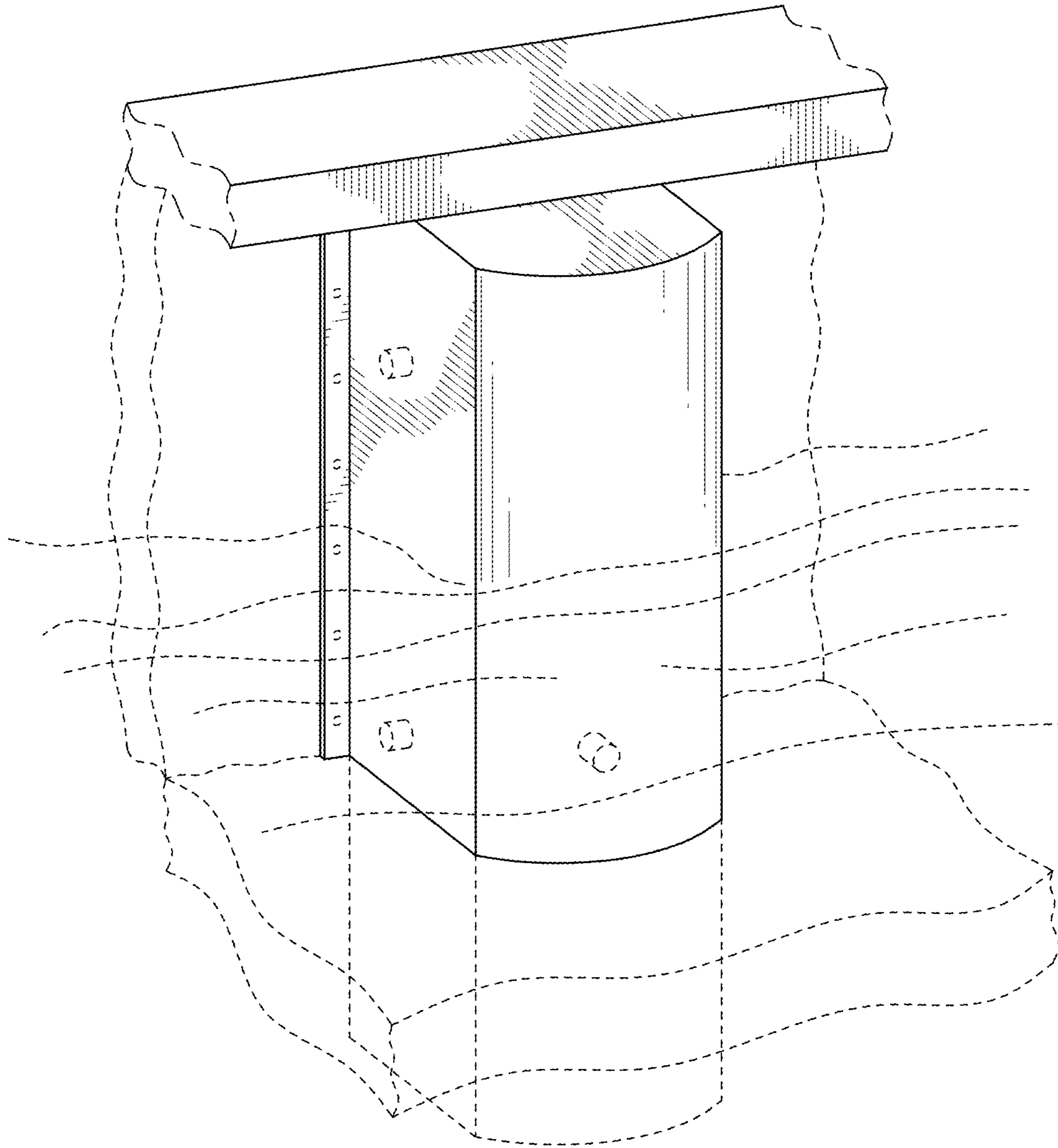


FIG. 5

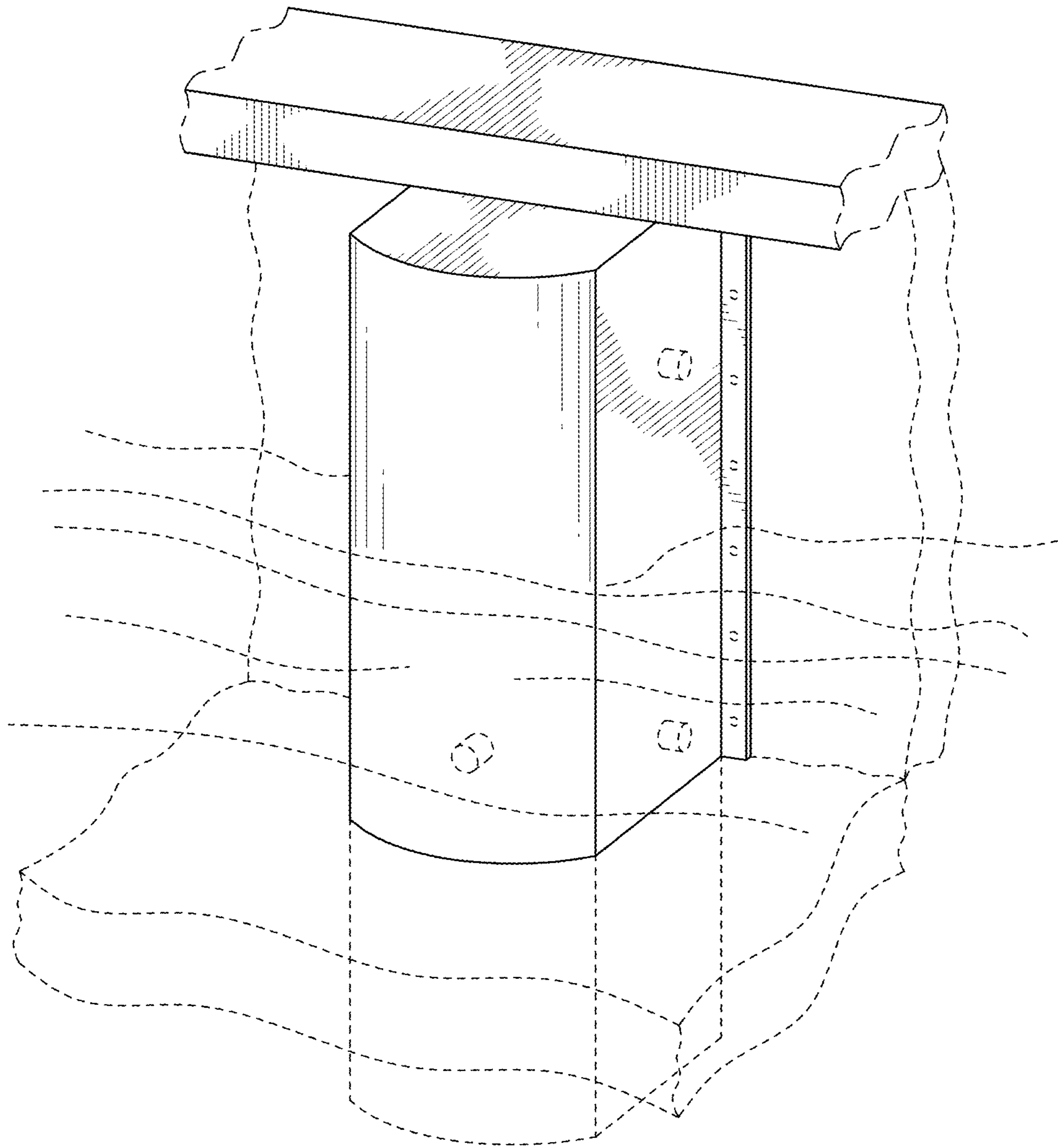


FIG. 6

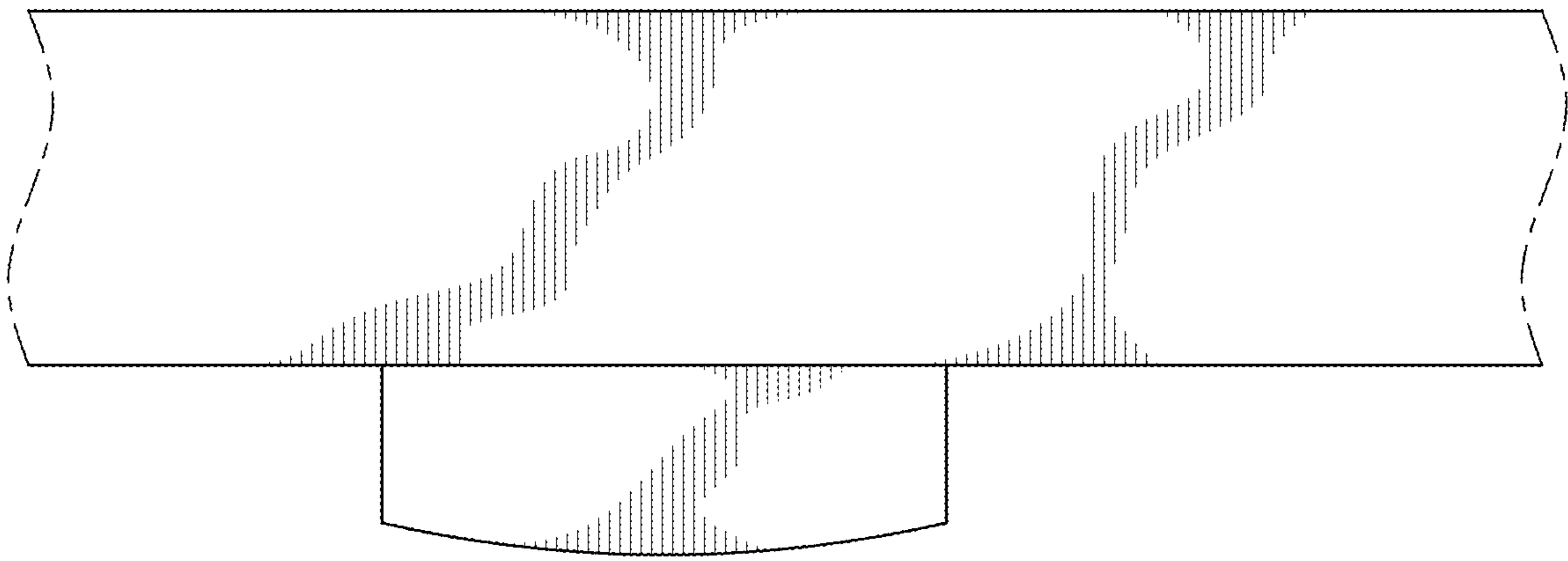


FIG. 7

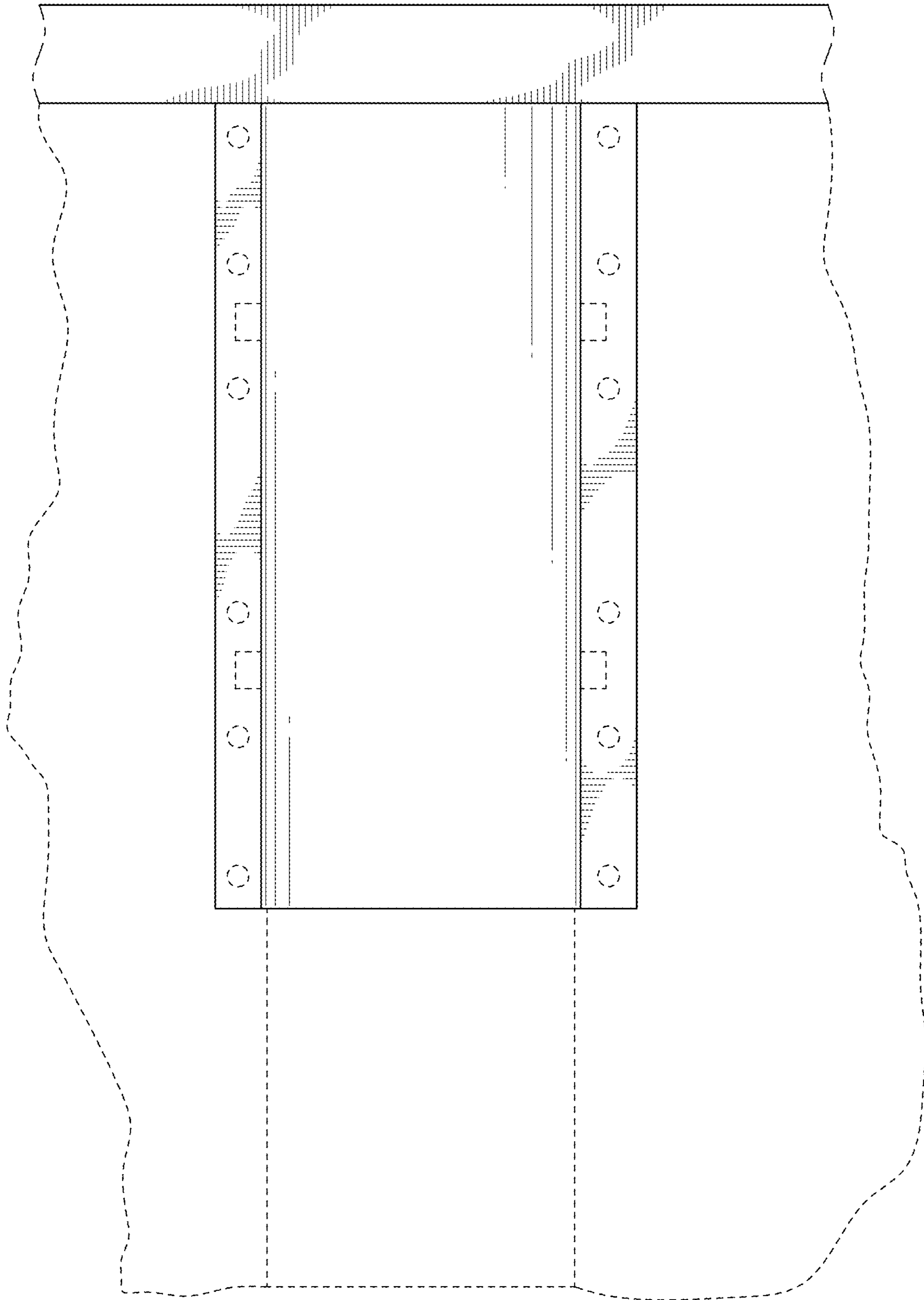


FIG.8