



US00D889690S

(12) **United States Design Patent**
Lang

(10) **Patent No.:** **US D889,690 S**
(45) **Date of Patent:** **** Jul. 7, 2020**

- (54) **LADDER**
- (71) Applicant: **JINHUA SHUNHE HOUSEHOLD PRODUCTS CO., LTD**, Jinhua (CN)
- (72) Inventor: **Bingxin Lang**, Yongkang (CN)
- (73) Assignee: **JINHUA SHUNHE HOUSEHOLD PRODUCTS CO., LTD**, Jinhua (CN)
- (**) Term: **15 Years**
- (21) Appl. No.: **29/729,011**
- (22) Filed: **Mar. 24, 2020**
- (51) **LOC (12) Cl.** **25-04**
- (52) **U.S. Cl.**
USPC **D25/65**
- (58) **Field of Classification Search**
USPC D25/62-65, 68, 69; 182/165, 104, 180.1, 182/22, 21, 115, 194, 129
CPC ... E06C 1/393; E06C 1/18; E06C 1/39; E06C 1/383; E06C 1/32; E06C 1/3835; A47C 12/00
See application file for complete search history.

D576,291 S *	9/2008	Latimer	D25/65
8,684,139 B2 *	4/2014	Leng	A47C 12/00
				182/129
9,926,742 B2 *	3/2018	Leng	E06C 1/39
D838,386 S *	1/2019	Woodward	D25/64
D872,876 S	1/2020	Leng		
2011/0209946 A1 *	9/2011	Leng	E06C 7/083
				182/129

* cited by examiner

Primary Examiner — Gino Colan

(57) **CLAIM**

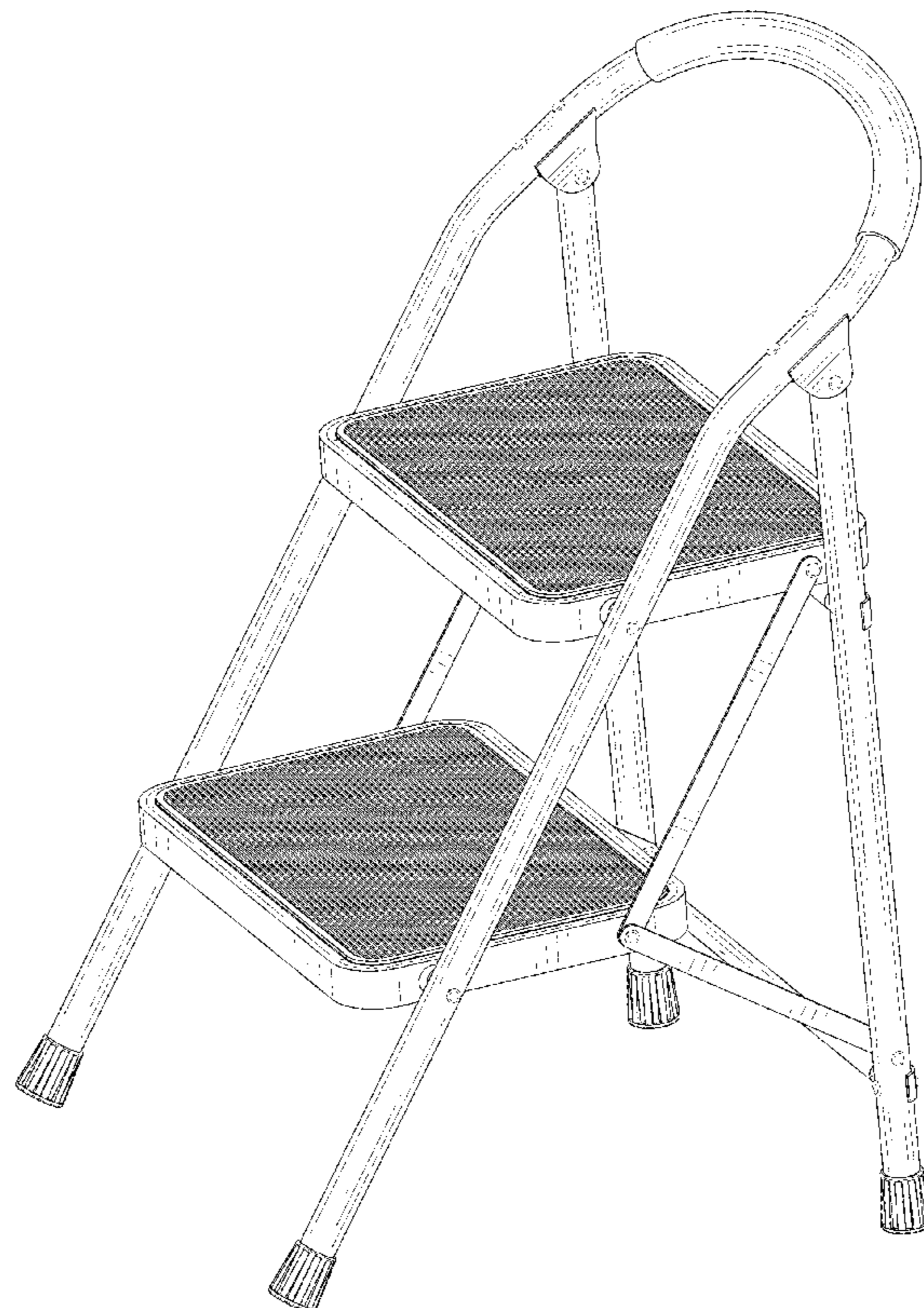
The ornamental design for a ladder, as shown and described.

DESCRIPTION

FIG. 1 is a perspective view of a ladder showing my new design;
 FIG. 2 is another perspective view thereof;
 FIG. 3 is a front elevational view thereof;
 FIG. 4 is a rear elevational view thereof;
 FIG. 5 is a left side elevational view thereof;
 FIG. 6 is a right side elevational view thereof;
 FIG. 7 is a top plan view thereof;
 FIG. 8 is a bottom plan view thereof;
 FIG. 9 is a perspective view of the ladder where the ladder is in a folded state;
 FIG. 10 is an enlarged view of portion 10 shown in FIG. 5; and,
 FIG. 11 is an enlarged view of portion 11 shown in FIG. 5.
 The broken lines in the drawings depict boundaries of the ladder that form no part of the claimed design.

1 Claim, 11 Drawing Sheets

- (56) **References Cited**
U.S. PATENT DOCUMENTS
D447,572 S * 9/2001 Rosko D25/65
D458,385 S * 6/2002 Rosko D25/64
D467,667 S 12/2002 Alim
D565,745 S * 4/2008 Meyers D25/65



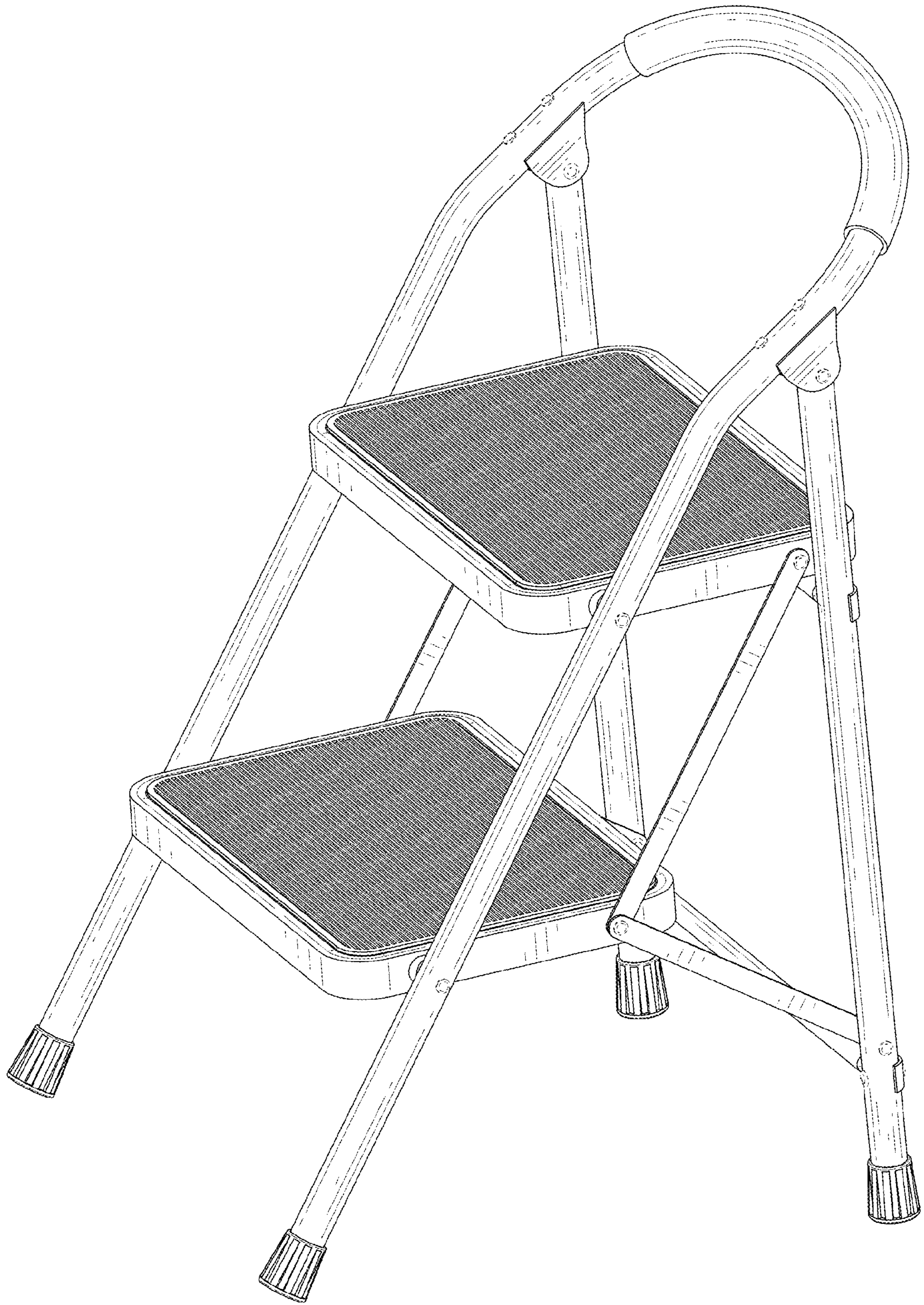


FIG. 1

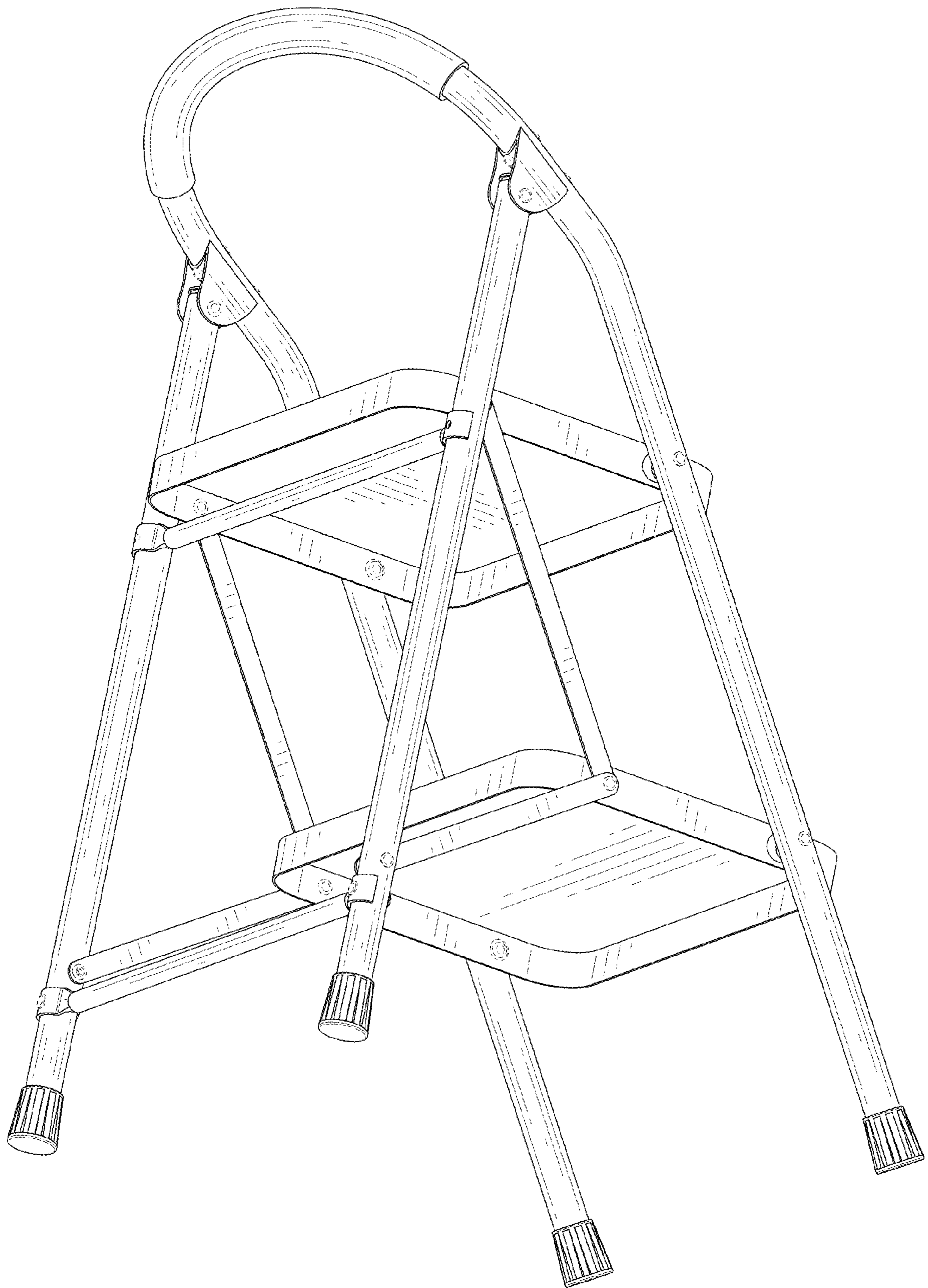


FIG. 2

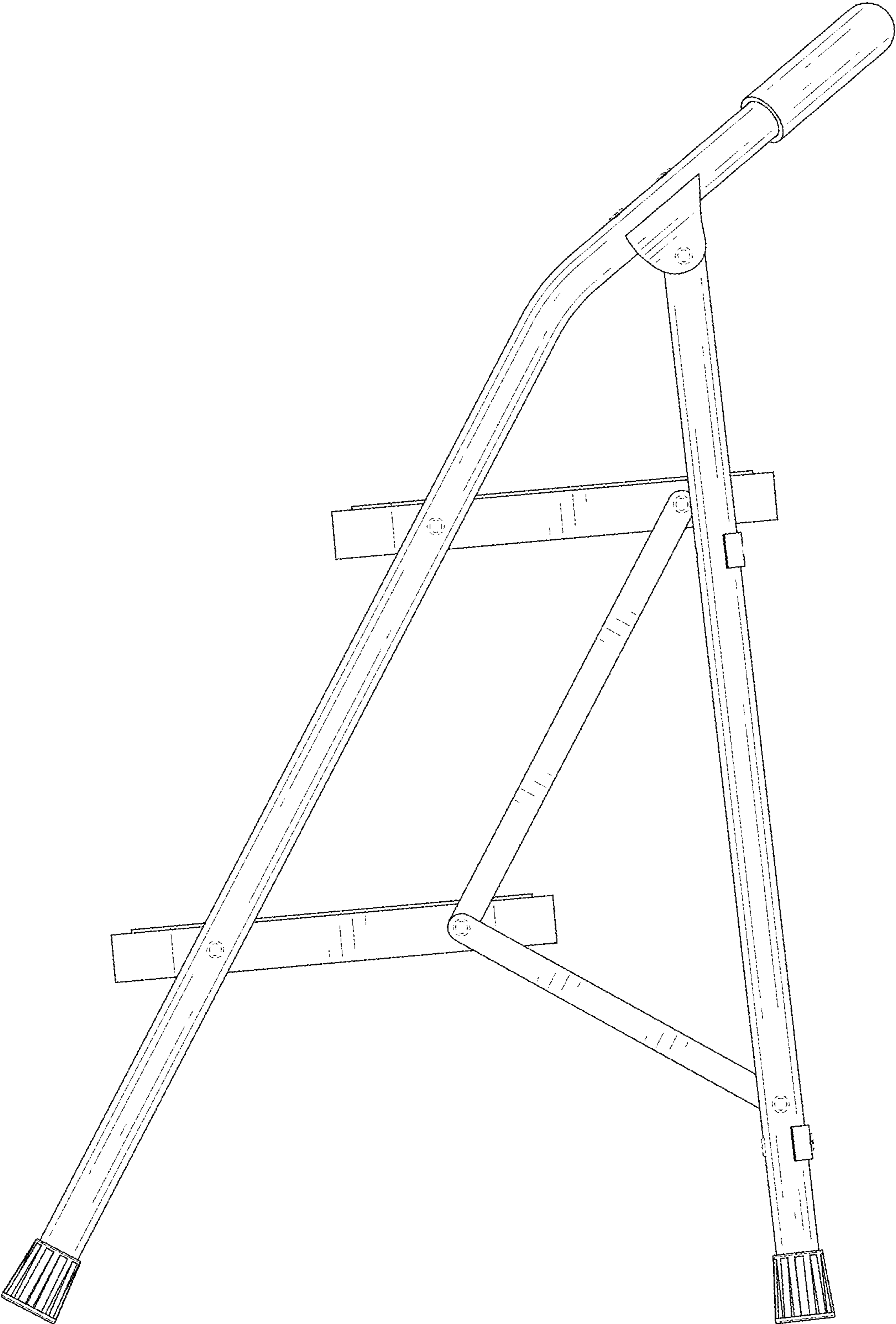


FIG. 3

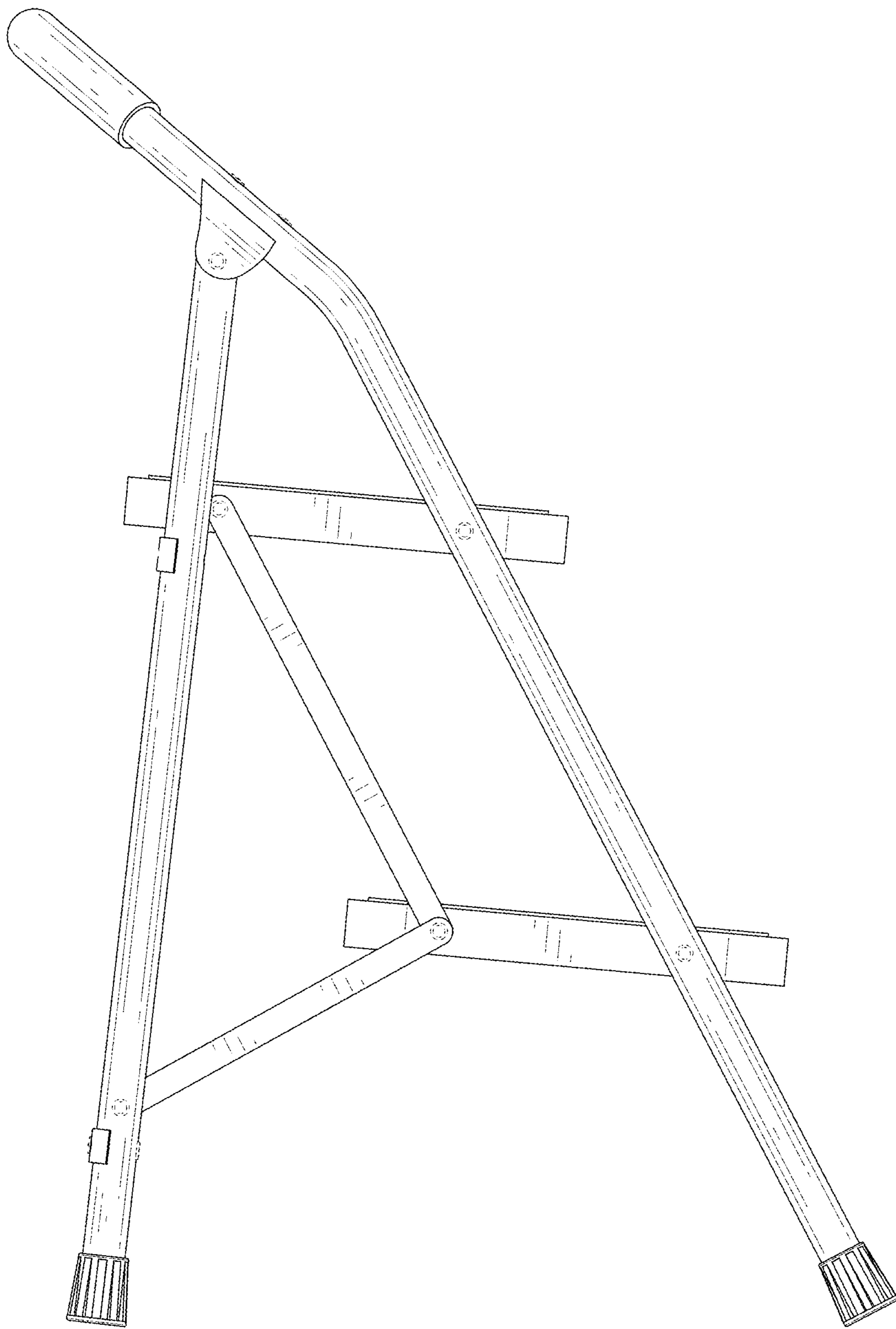


FIG. 4

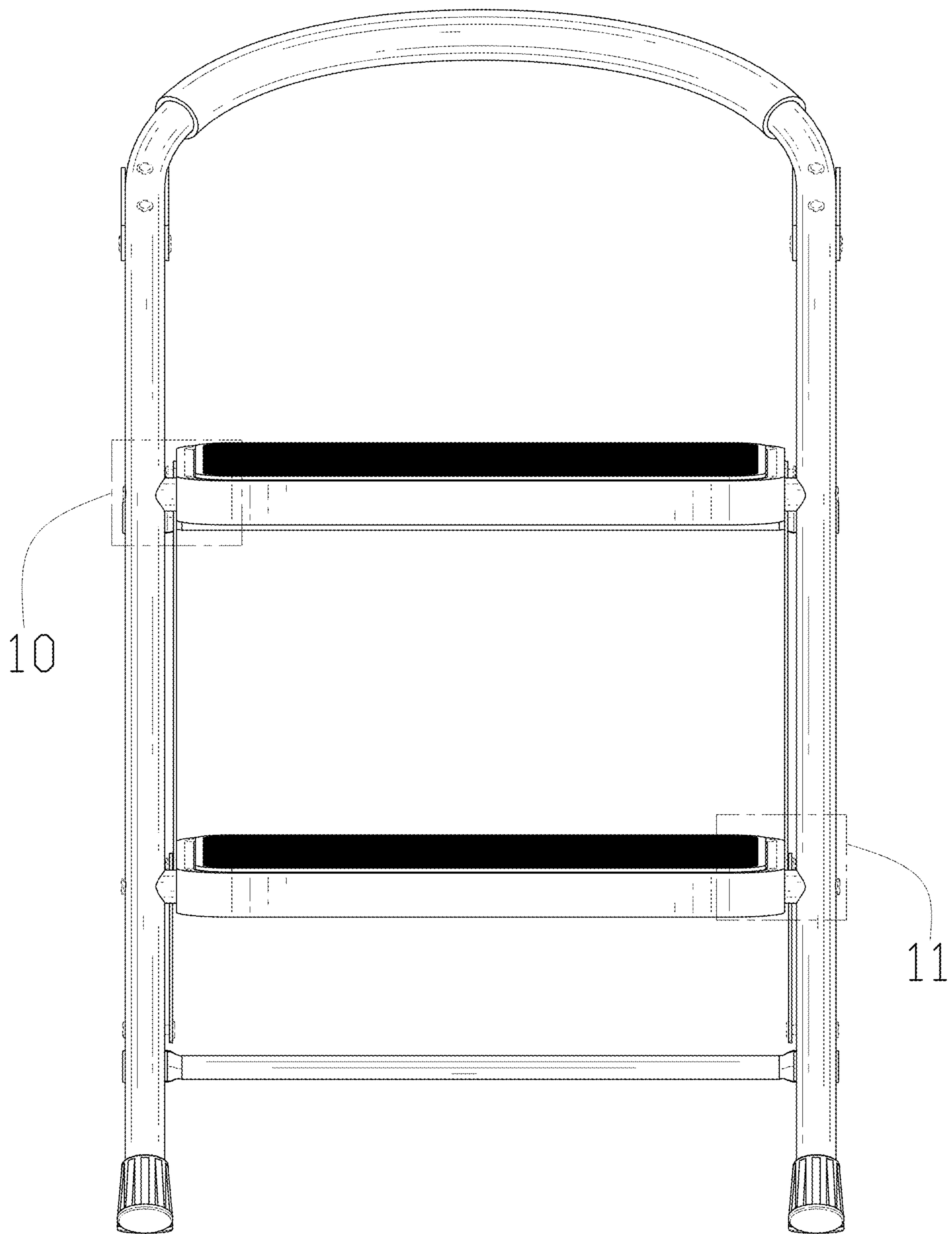


FIG. 5

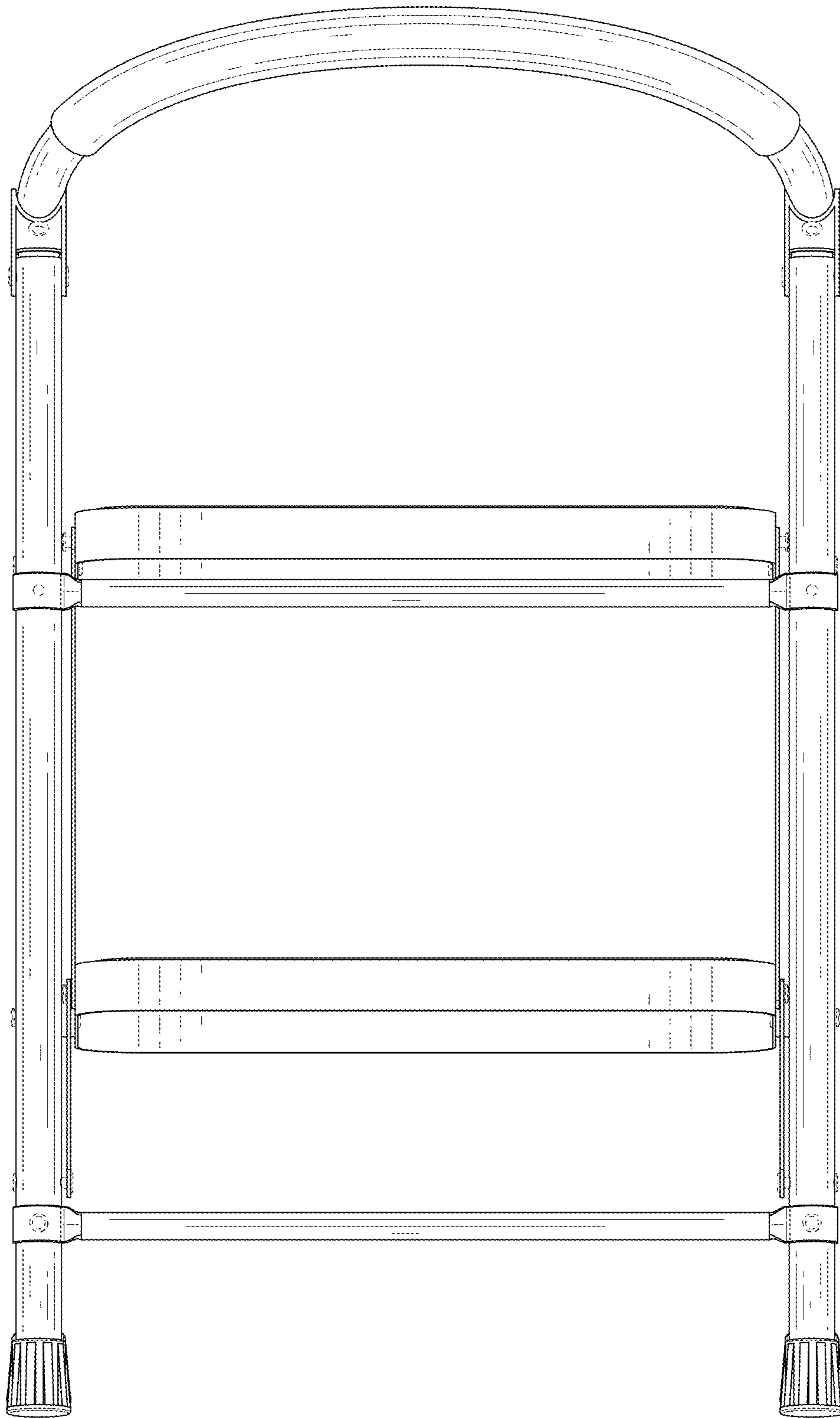


FIG. 6

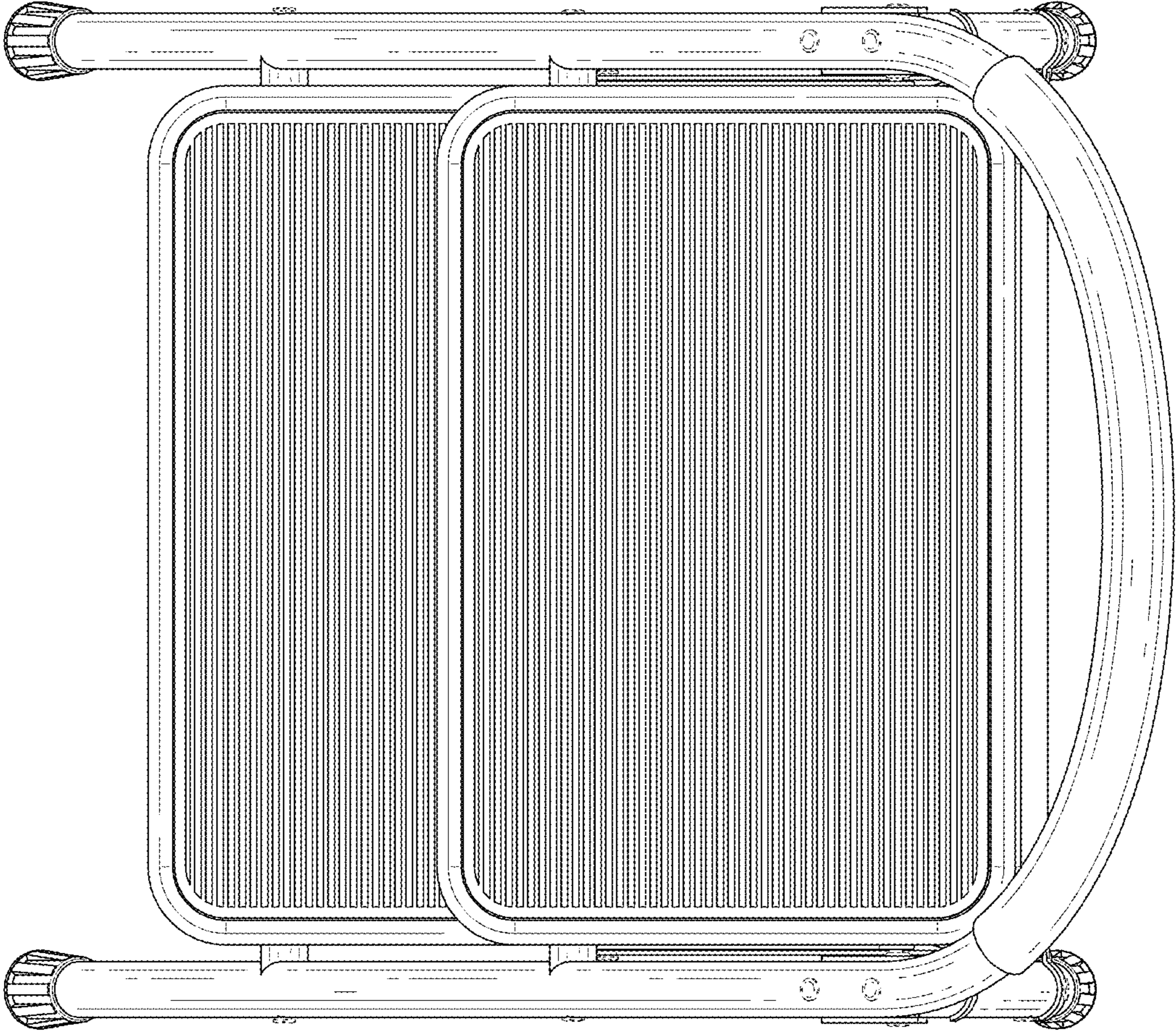


FIG. 7

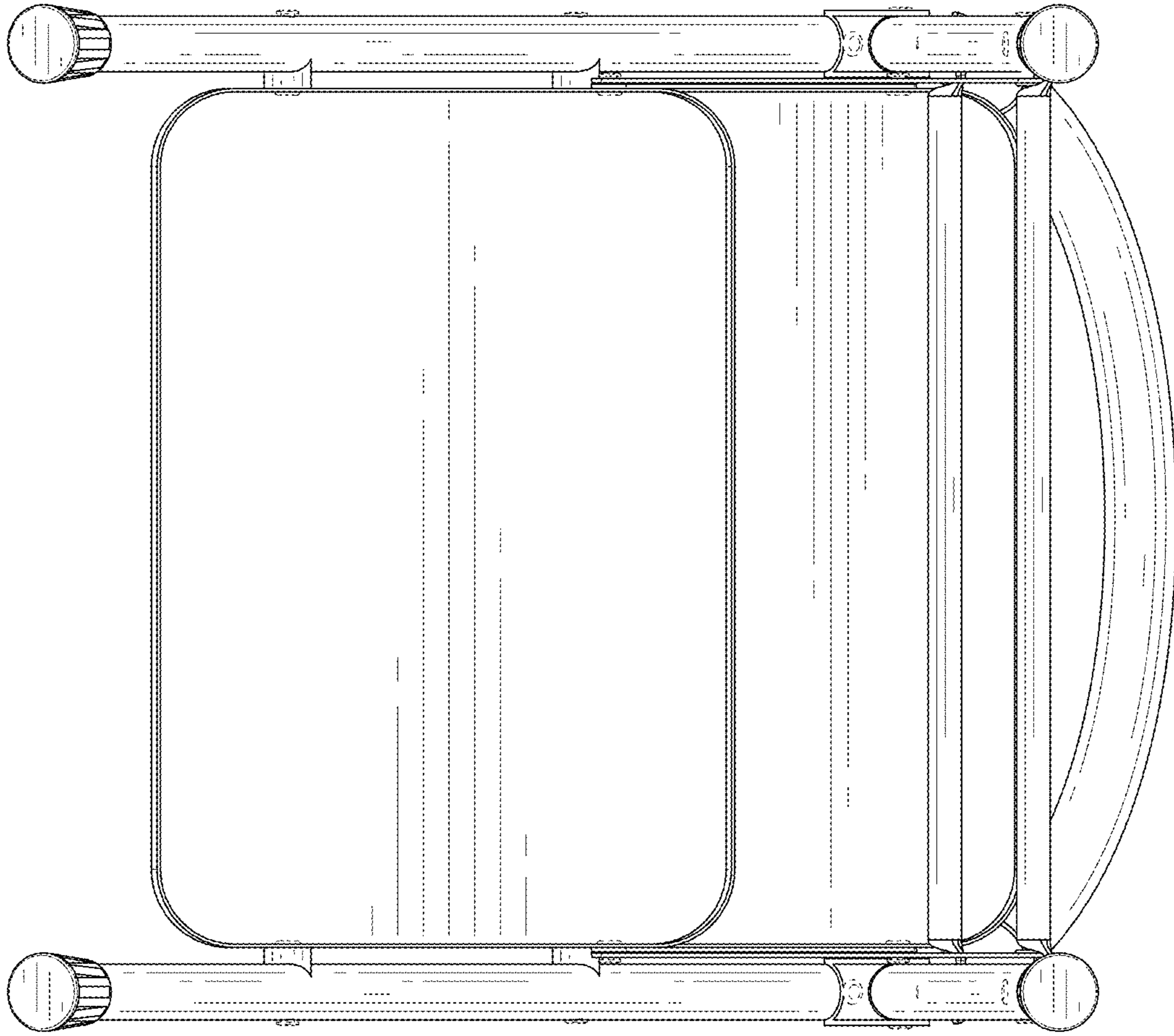


FIG. 8

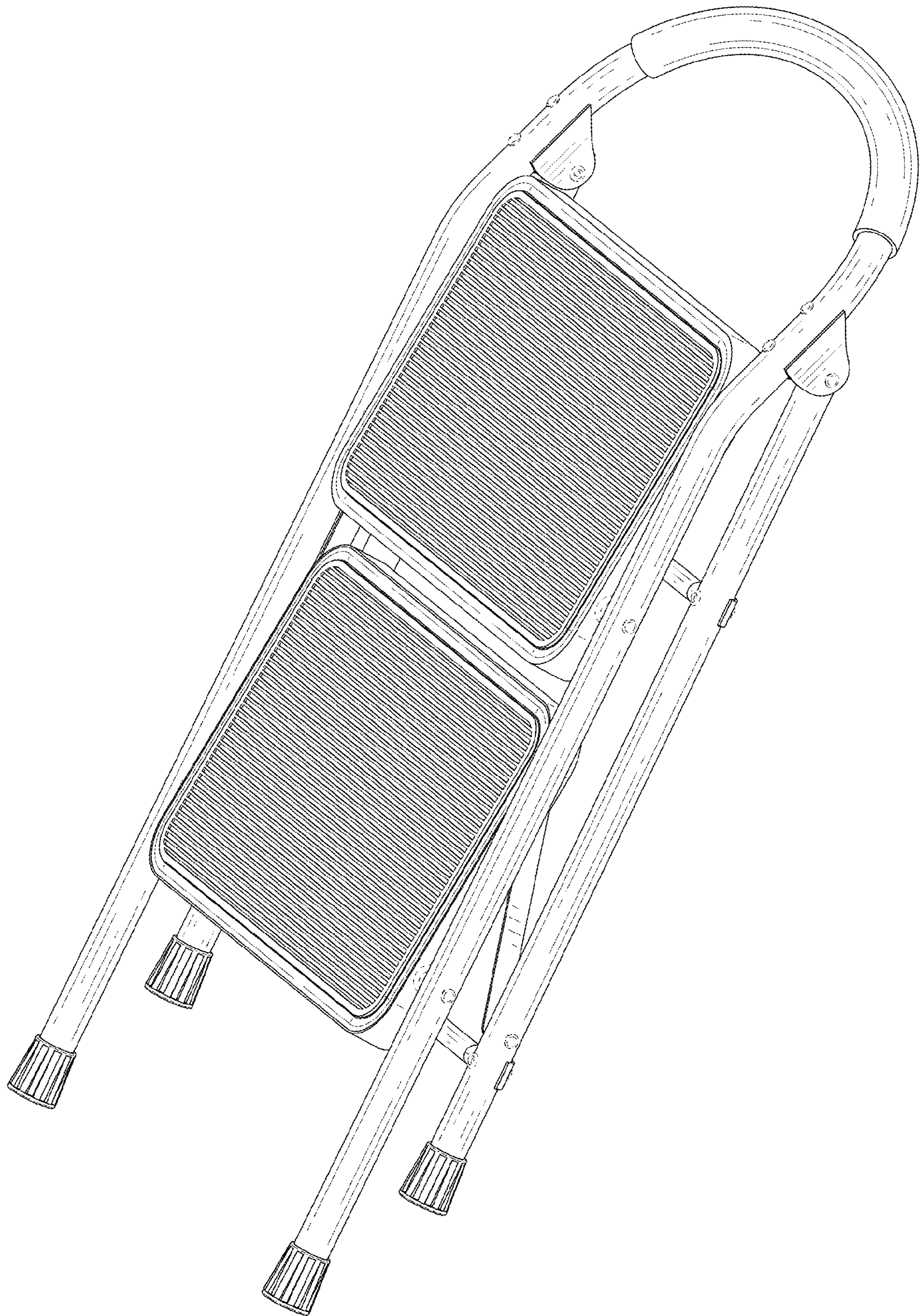


FIG. 9

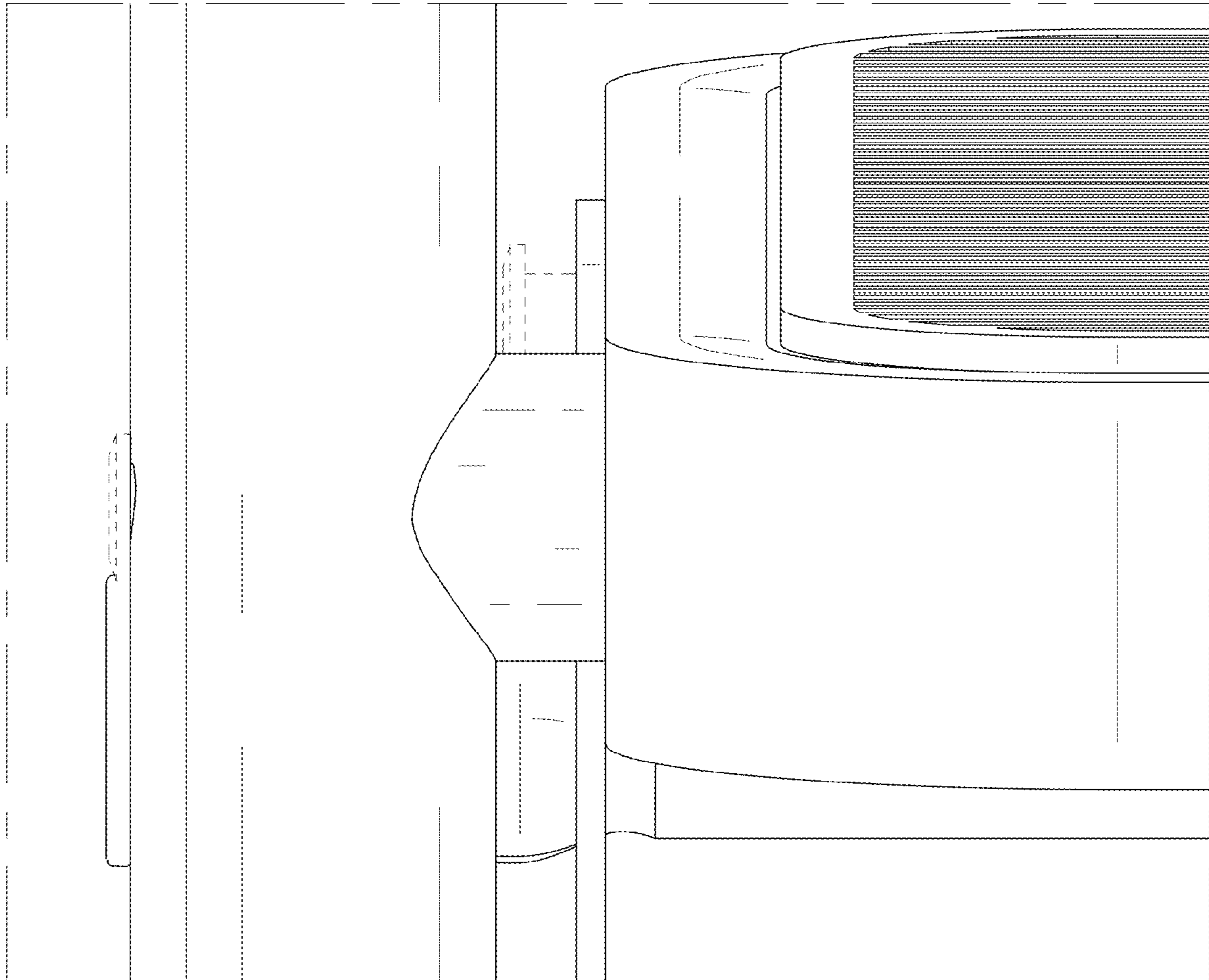


FIG. 10

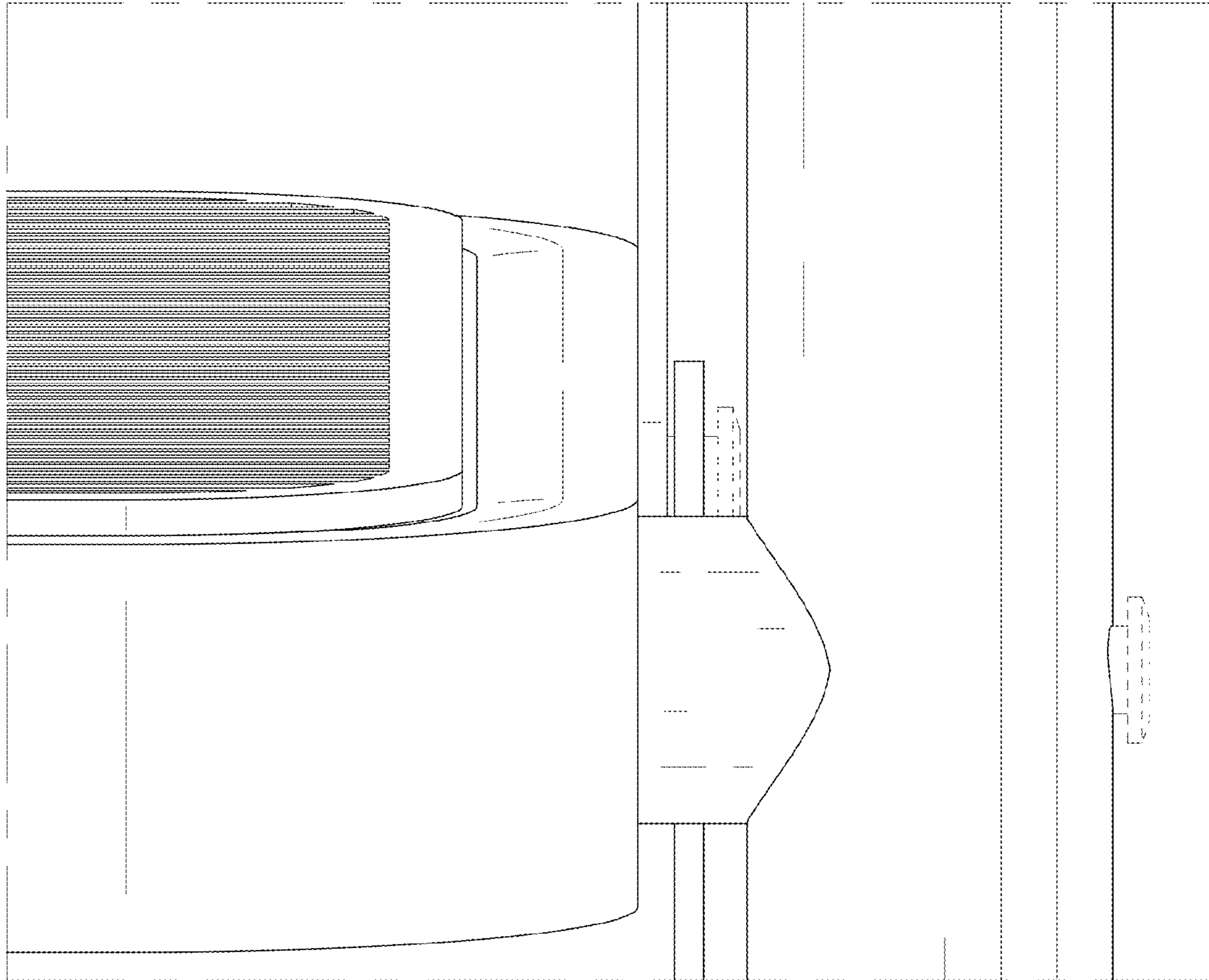


FIG. 11