



US00D889689S

(12) **United States Design Patent**
Russell et al.

(10) **Patent No.:** **US D889,689 S**
(45) **Date of Patent:** **** Jul. 7, 2020**

(54) **LADDER**
(71) Applicant: **Wing Enterprises, Incorporated,**
Springville, UT (US)
(72) Inventors: **Brian B. Russell,** Saratoga Springs, UT
(US); **N. Ryan Moss,** Mapleton, UT
(US); **B. Scott Maxfield,** Spanish Fork,
UT (US); **Steve L. Puertas,** Orem, UT
(US)
(73) Assignee: **WING ENTERPRISES, INC.,**
Springville, UT (US)

D466,225 S * 11/2002 Rosko D25/64
6,536,557 B2 * 3/2003 Gibson E06C 1/393
182/129
6,550,579 B2 * 4/2003 Gibson E06C 1/387
182/165
7,931,123 B2 * 4/2011 Moldthan E06C 1/387
182/129
8,002,084 B2 * 8/2011 Huang E06C 1/18
182/159
D797,955 S * 9/2017 Wilbur D25/65
10,221,624 B2 * 3/2019 Leng E06C 1/20
2002/0043431 A1 * 4/2002 Gibson E06C 1/387
182/161

(**) Term: **15 Years**

* cited by examiner

(21) Appl. No.: **29/625,664**

Primary Examiner — Gino Colan

(22) Filed: **Nov. 10, 2017**

(74) *Attorney, Agent, or Firm* — Dorsey & Whitney LLP

(51) **LOC (12) Cl.** **25-04**
(52) **U.S. Cl.**
USPC **D25/64**

(57) **CLAIM**

(58) **Field of Classification Search**
USPC D25/62–65, 68, 69; 182/165, 194, 93,
182/95, 121, 172, 125, 116, 102, 26,
182/228.2, 222, 129, 156, 127, 120, 104,
182/25, 117, 124, 163, 152, 162, 115,
182/21–23, 161, 133, 159; 248/210
CPC ... E06C 1/393; E06C 1/39; E06C 7/16; E06C
1/381; E06C 1/383
See application file for complete search history.

The ornamental design for a ladder, as shown and described.

(56) **References Cited**

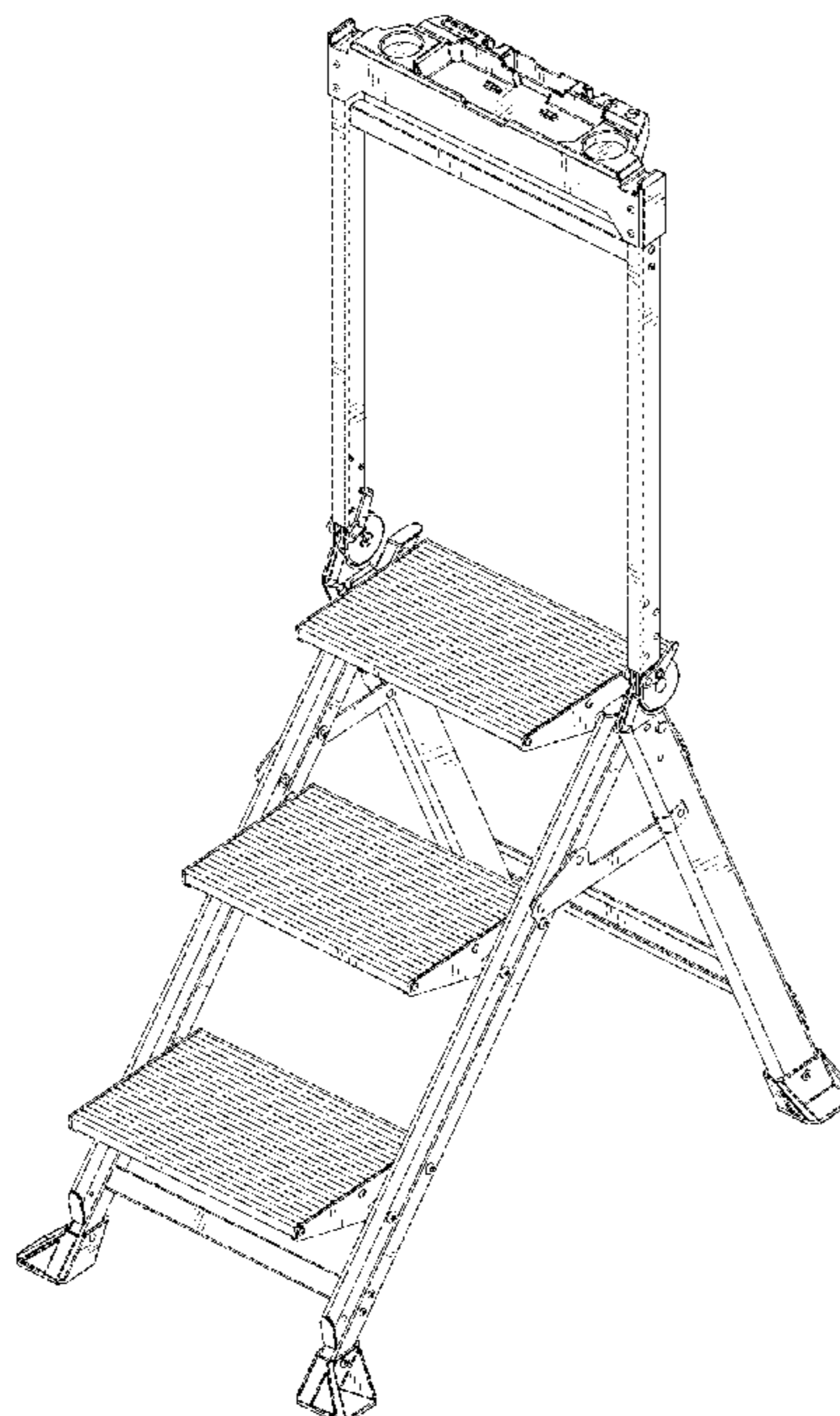
DESCRIPTION

U.S. PATENT DOCUMENTS

4,276,955 A * 7/1981 Hickman A47C 12/00
182/33
D444,574 S * 7/2001 Gibson D25/65

FIG. 1 is a perspective view of a ladder showing our new design;
FIG. 2 is a front elevation view thereof;
FIG. 3 is a rear elevation view thereof;
FIG. 4 is a left side elevation view thereof;
FIG. 5 is a right side elevation view thereof;
FIG. 6 is a top plan view thereof; and,
FIG. 7 is a bottom plan view thereof.

1 Claim, 6 Drawing Sheets



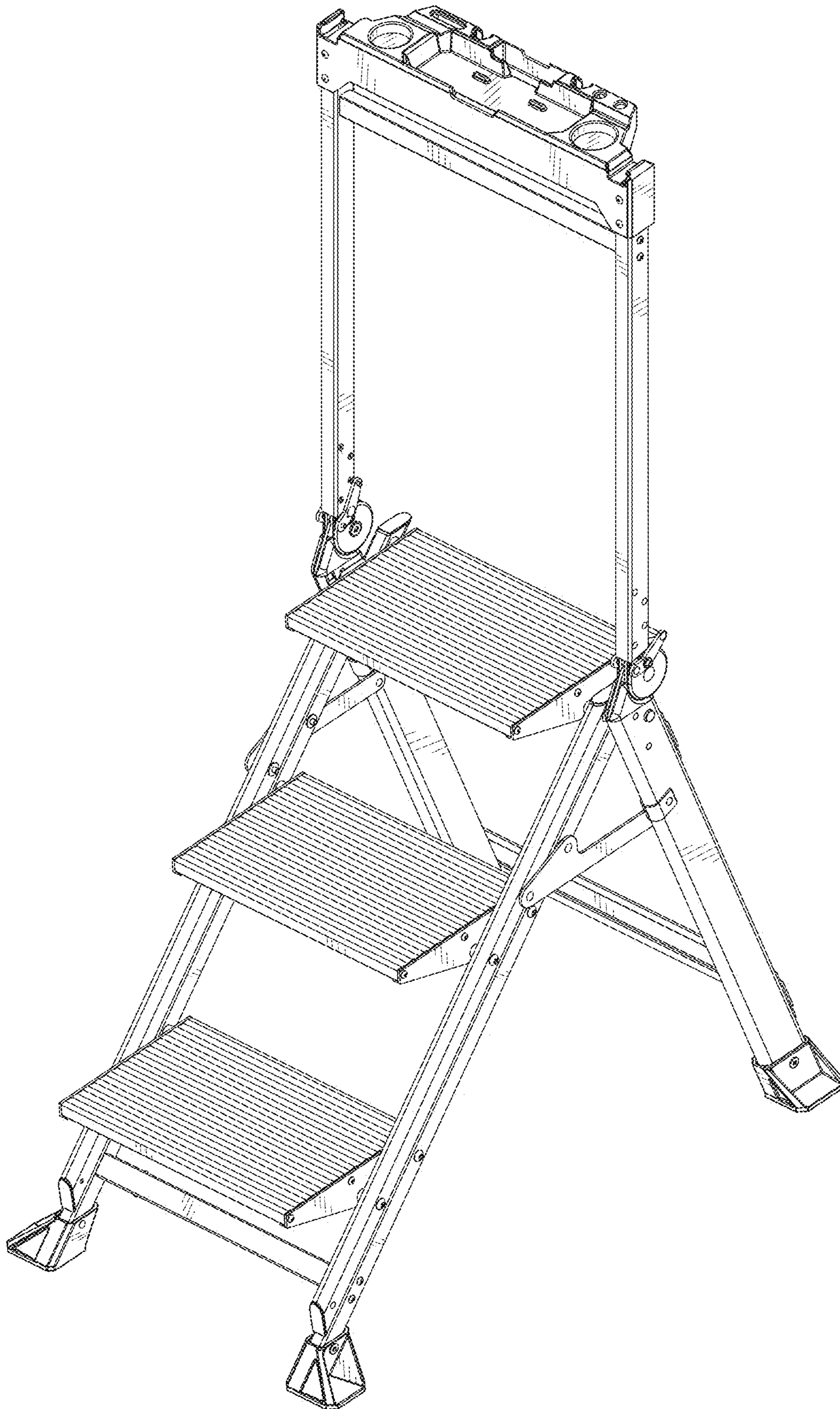


FIG. 1

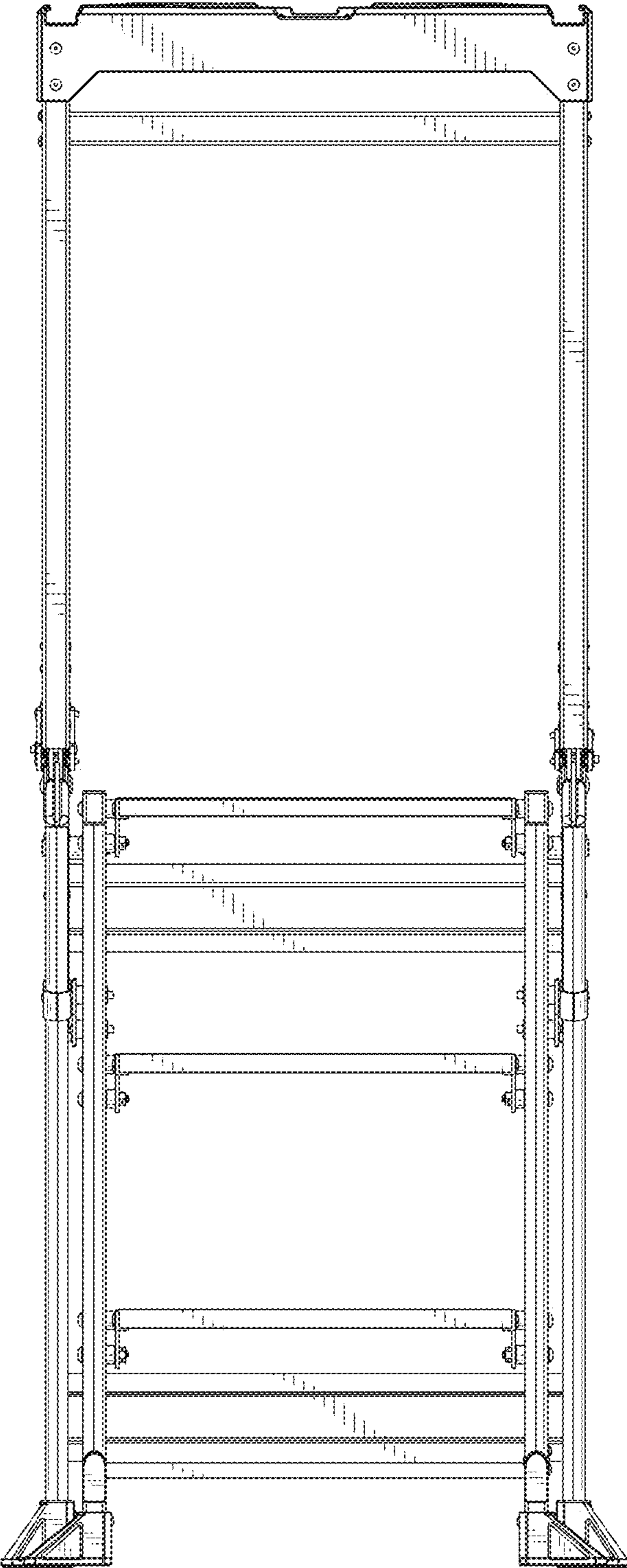


FIG. 2

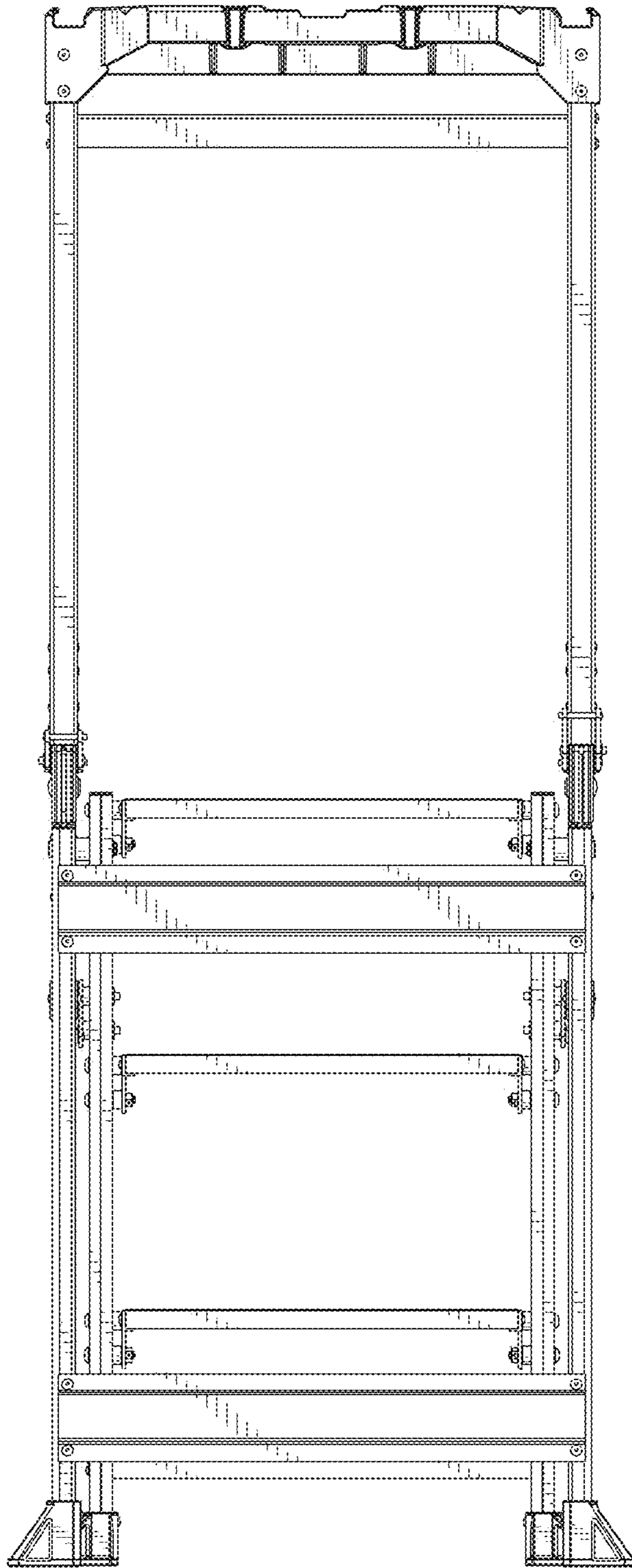


FIG. 3

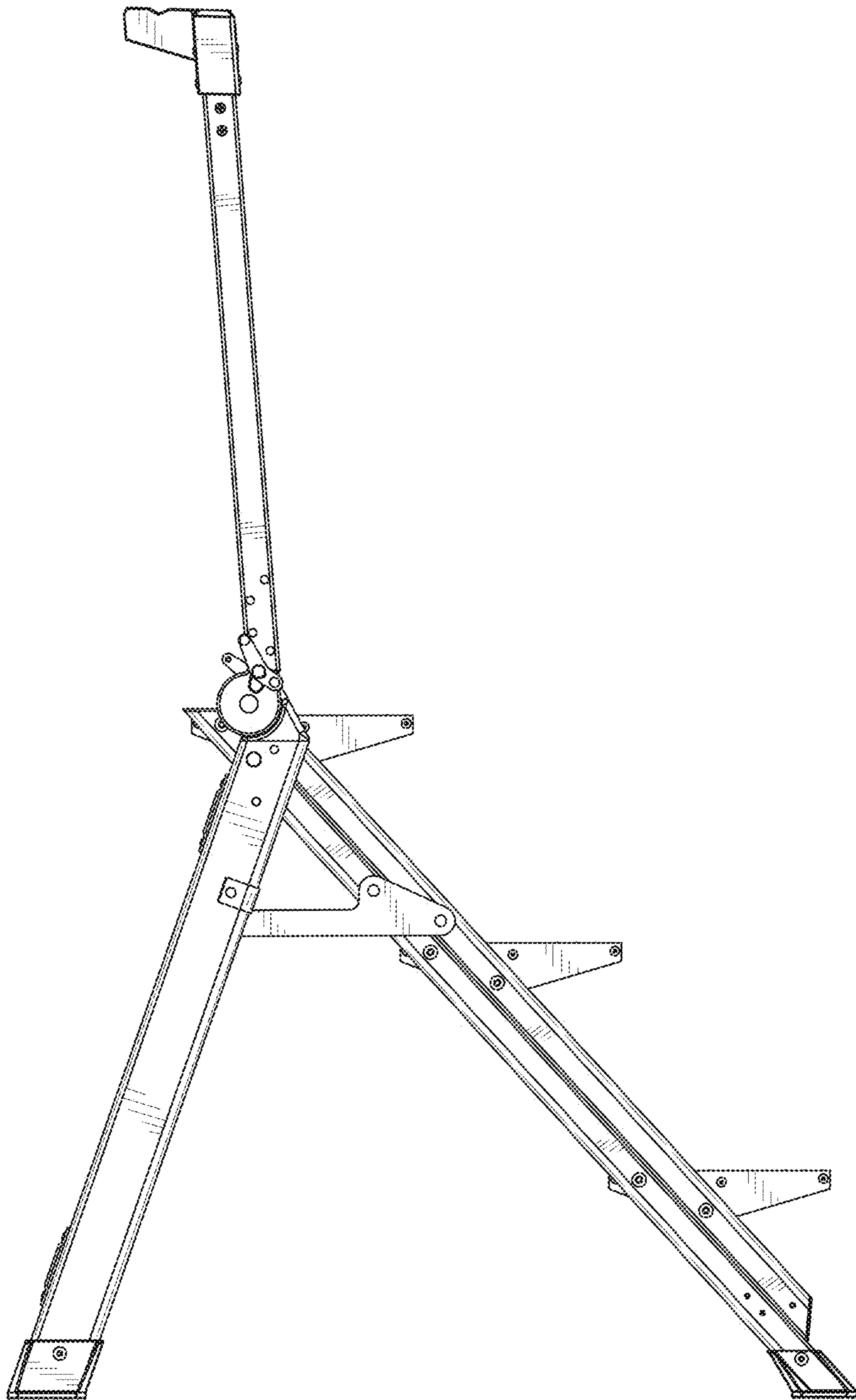


FIG. 4

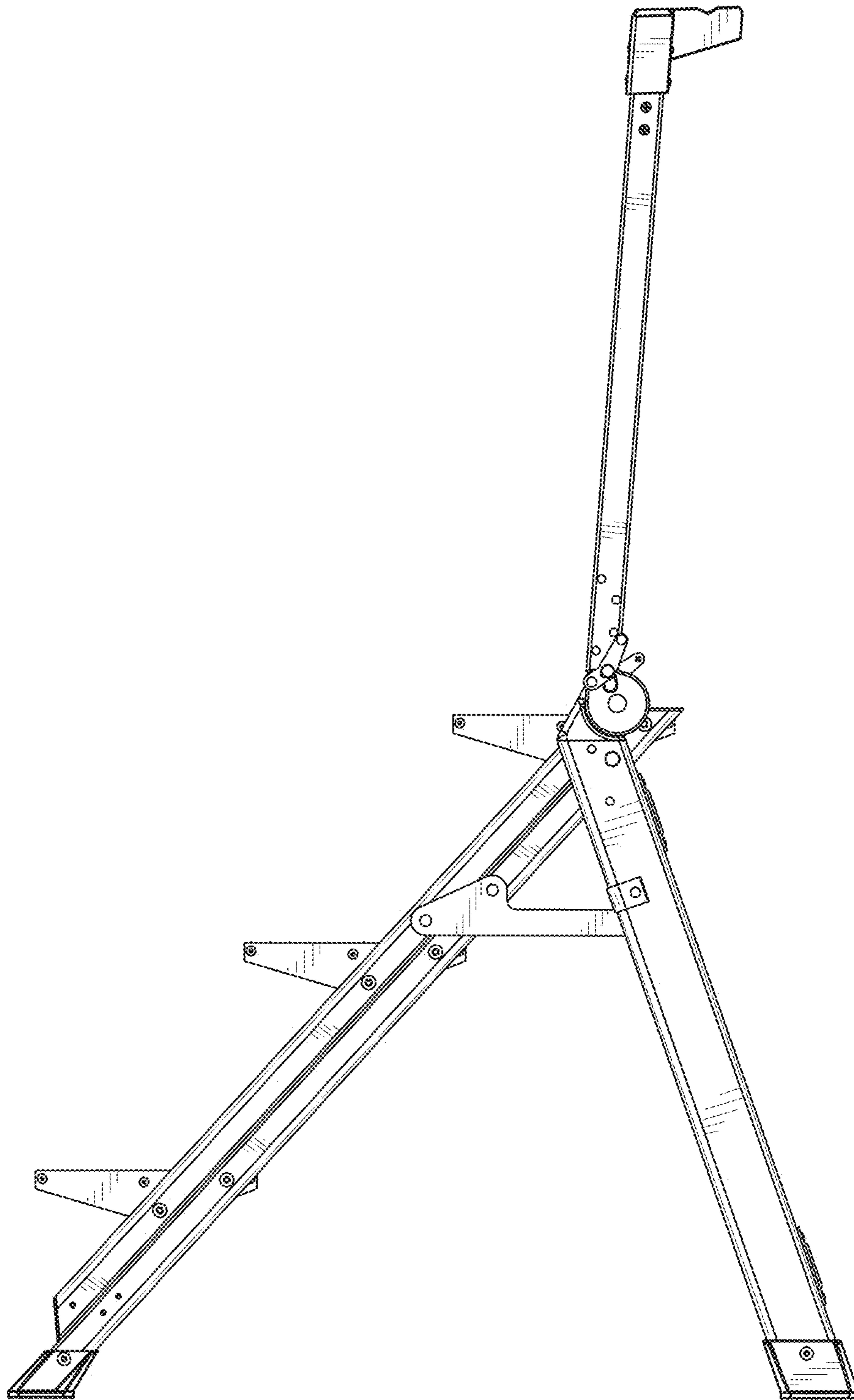


FIG. 5

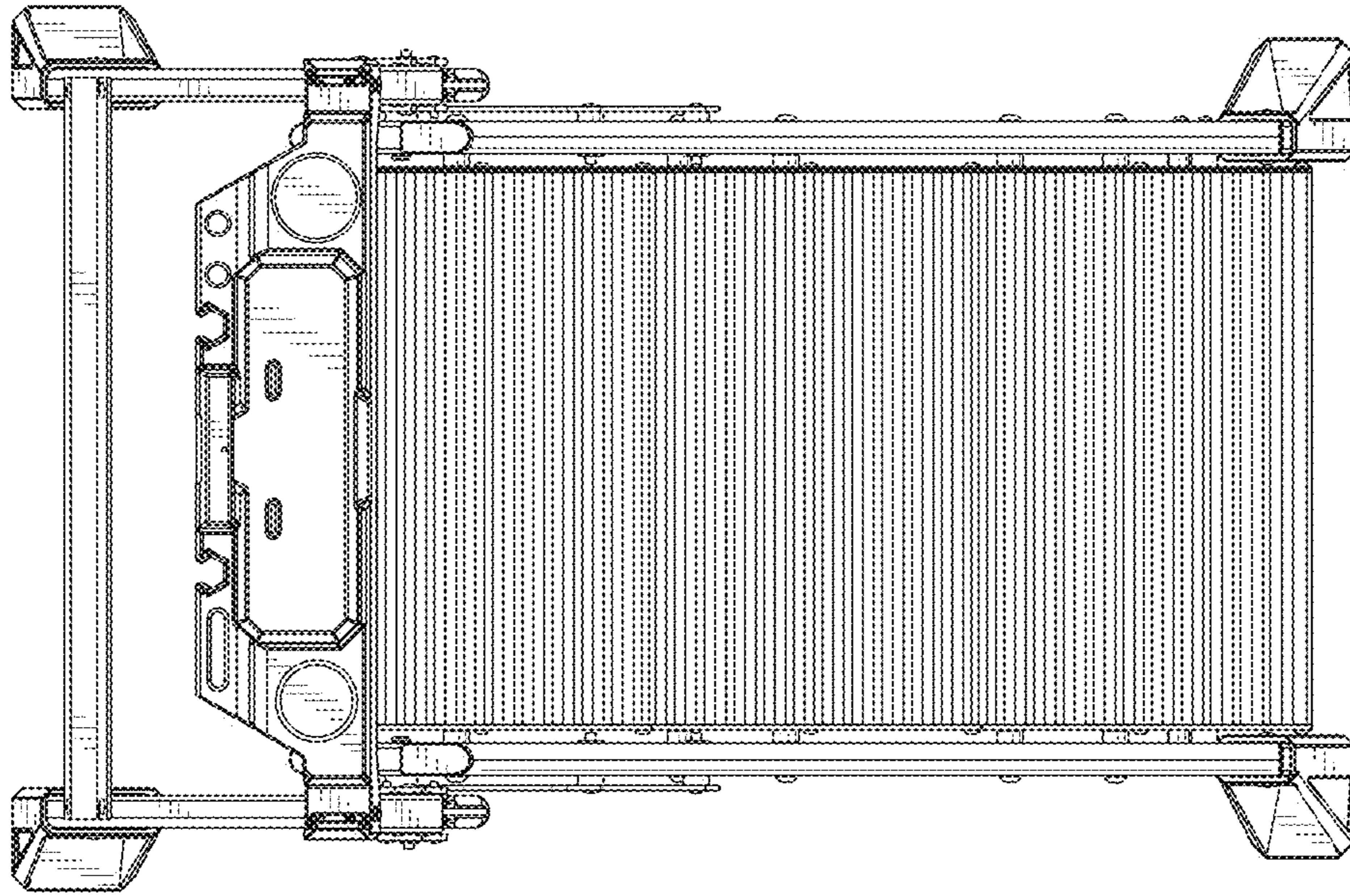


FIG. 6

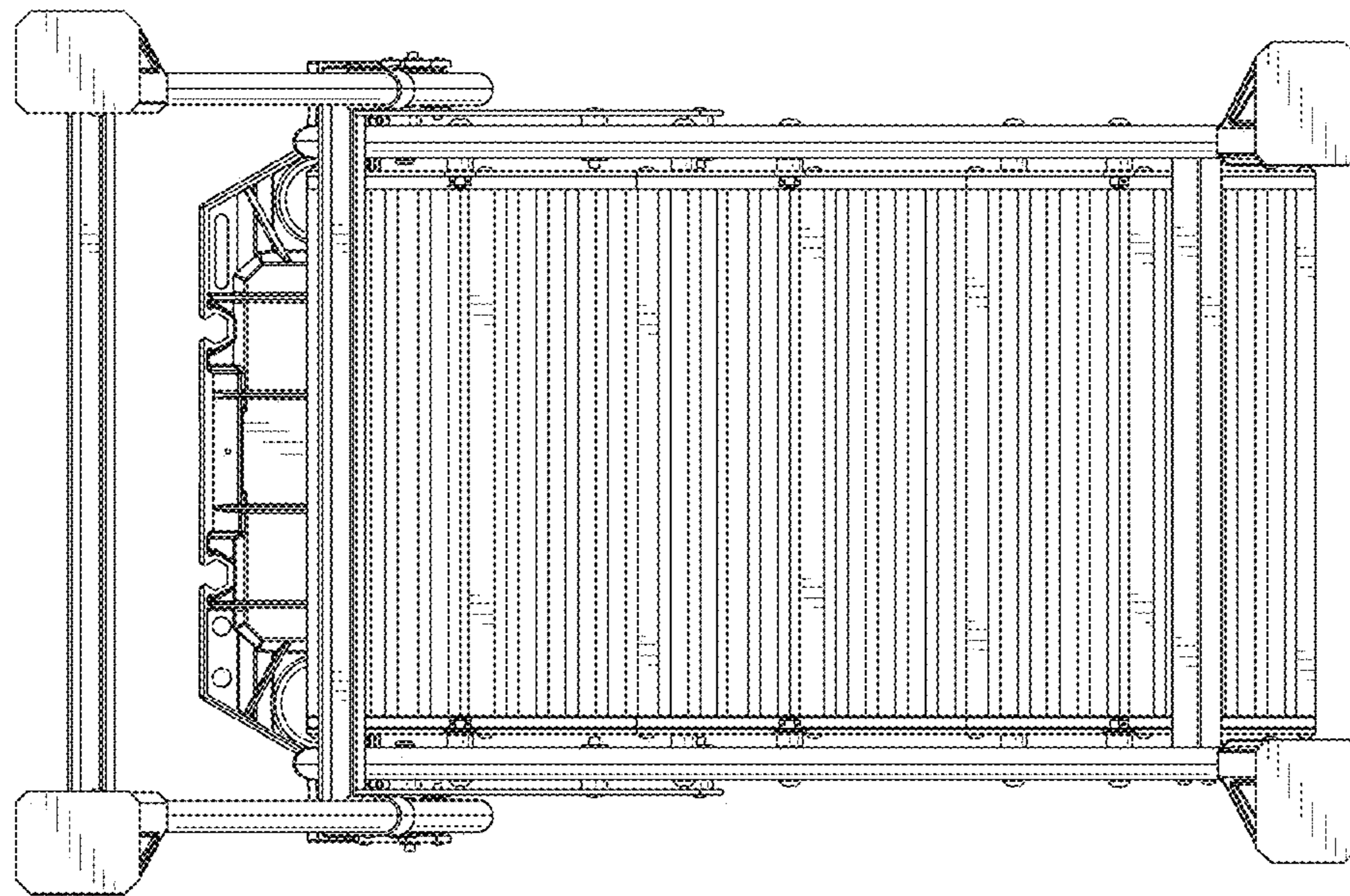


FIG. 7