



US00D889687S

(12) **United States Design Patent** (10) **Patent No.:** **US D889,687 S**
Cieciuch et al. (45) **Date of Patent:** **** Jul. 7, 2020**

(54) **EXPANSION TRIGGERS AND HOLDER ASSEMBLY FOR A SAMPLING SYSTEM**

D569,008 S * 5/2008 Lundqvist D24/232
7,661,345 B2 2/2010 Martin
7,832,293 B2 11/2010 Hermet et al.
7,878,079 B2 2/2011 Goodwin
7,921,740 B2 4/2011 Furey et al.
D673,674 S * 1/2013 Ho D24/129
D678,544 S * 3/2013 Mueller D24/216

(71) Applicant: **Merck Chemicals and Life Science AB, Solna (SE)**

(72) Inventors: **John Cieciuch, Dracut, MA (US); Amy Wood, Concord, MA (US); James Vigna, Tyngsboro, MA (US); Charles Paradise, Brooklyn, NY (US); Kirsten Climer, Mountainview, CA (US); Francois de Martrin-Donos, Brooklyn, NY (US)**

(Continued)

FOREIGN PATENT DOCUMENTS

EP 1729106 A2 12/2006
WO 2014/099811 A1 6/2014

OTHER PUBLICATIONS

Notice of allowance dated Nov. 26, 2019 in co-pending U.S. Appl. No. 29/654,138.

(Continued)

(73) Assignee: **Merck Chemicals and Life Science AB, Solna (SE)**

(**) Term: **15 Years**

(21) Appl. No.: **29/654,139**

Primary Examiner — Anhdao Doan

(22) Filed: **Jun. 21, 2018**

(74) *Attorney, Agent, or Firm* — Nields, Lemack & Frame, LLC

(51) **LOC (12) Cl.** **24-01**

(52) **U.S. Cl.**

(57) **CLAIM**

USPC **D24/232**

The ornamental design for an expansion triggers and holder assembly for a sampling system, as shown and described.

(58) **Field of Classification Search**

DESCRIPTION

USPC D24/216, 223–233, 186, 107, 121, 108, D24/129; D10/81

CPC ... G01N 2001/1037; G01N 2001/1079; G01N 2001/2085; G01N 1/18; A61M 39/18; A61M 39/22; B01L 3/565; B01L 3/567

See application file for complete search history.

FIG. 1 is a perspective view of the expansion triggers and holder assembly for a sampling system; FIG. 2 is a first side view thereof; FIG. 3 is a second side view thereof; FIG. 4 is a top view thereof; and, FIG. 5 is a bottom view thereof.

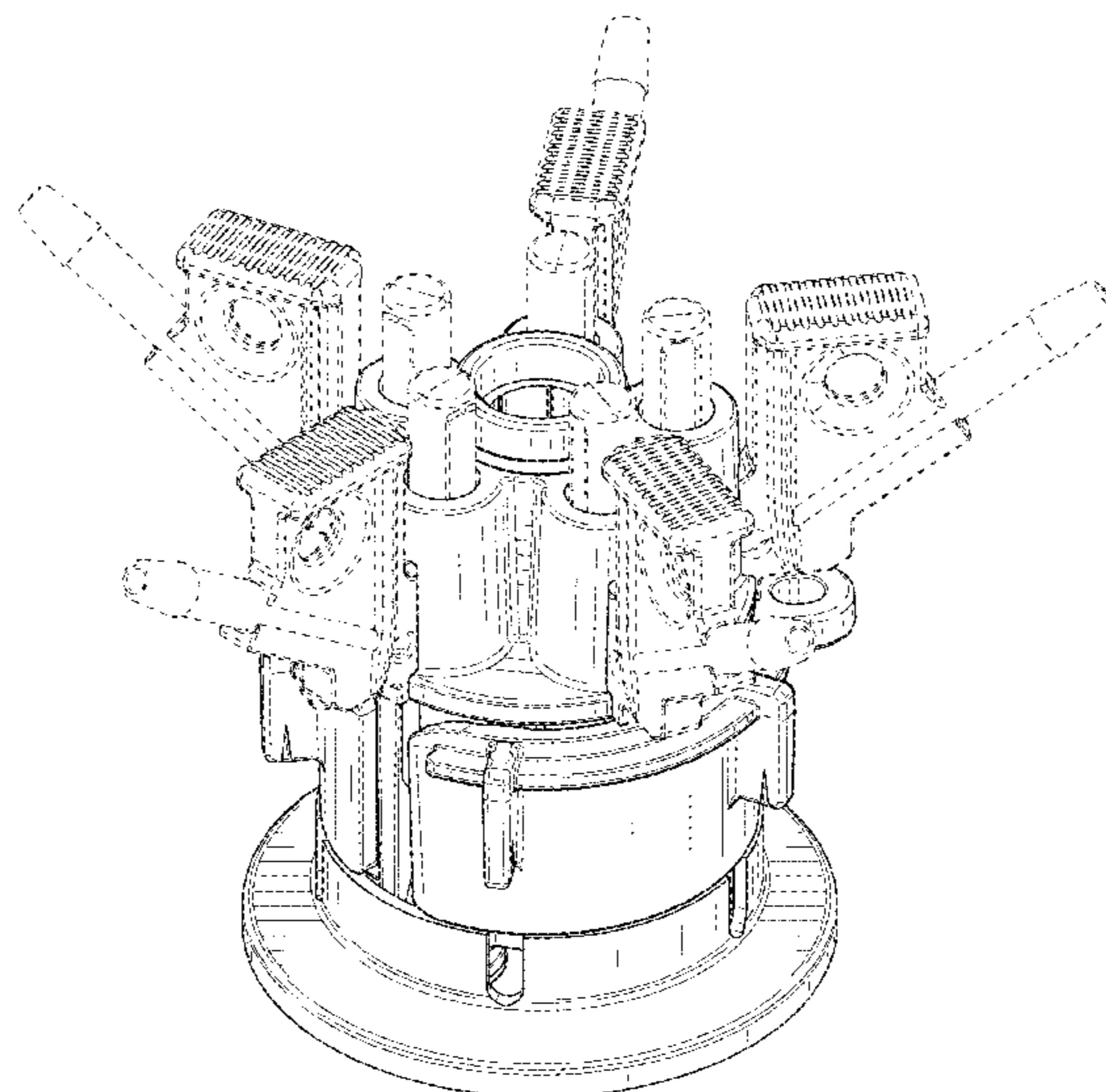
(56) **References Cited**

U.S. PATENT DOCUMENTS

D189,846 S * 3/1961 Whitener, Jr. et al. D24/232
D271,421 S * 11/1983 Fetterman 137/556
D346,661 S * 5/1994 Thomson D24/216
D370,263 S * 5/1996 Falkenberg D24/108
D399,008 S * 9/1998 Thomas D24/232
6,032,543 A 3/2000 Arthun et al.
7,272,980 B2 9/2007 Bigalke et al.

The expansion triggers are shown and described in broken lines to represent environment structures and form no part of the claimed design. The broken line showing in FIG. 5 is for illustrating certain bottom elements of the assembly and forms no part of the claimed design.

1 Claim, 5 Drawing Sheets



(56)

References Cited

U.S. PATENT DOCUMENTS

8,408,078	B2	4/2013	Mennenga et al.	
8,505,396	B2	8/2013	Zumbrum	
8,505,586	B2	8/2013	Zumbrum	
8,539,988	B2	9/2013	Guedon	
8,544,349	B2	10/2013	Zumbrum	
8,613,422	B2	12/2013	Zumbrum	
8,910,918	B2	12/2014	Gay et al.	
9,028,779	B2	5/2015	Olivier	
9,120,585	B2	9/2015	Olivier	
D756,252	S *	5/2016	Ducry	D24/216
9,376,305	B2	6/2016	Zumbrum	
D842,462	S *	3/2019	Guala	D24/129
D849,267	S *	5/2019	Rokitta	D24/232
D849,936	S *	5/2019	Allard	D24/129
D856,512	S *	8/2019	Cowart	D24/121
2007/0193375	A1	8/2007	Pandori et al.	
2008/0087860	A1	4/2008	Vaillancourt et al.	
2010/0301060	A1	12/2010	Bernard et al.	
2012/0227845	A1	9/2012	Salomon	
2016/0025601	A1	1/2016	Newbold	

OTHER PUBLICATIONS

Notice of allowance dated Nov. 26, 2019 in co-pending U.S. Appl. No. 29/654,142.
 Notice of allowance dated Nov. 26, 2019 in co-pending U.S. Appl. No. 29/654,143.

* cited by examiner

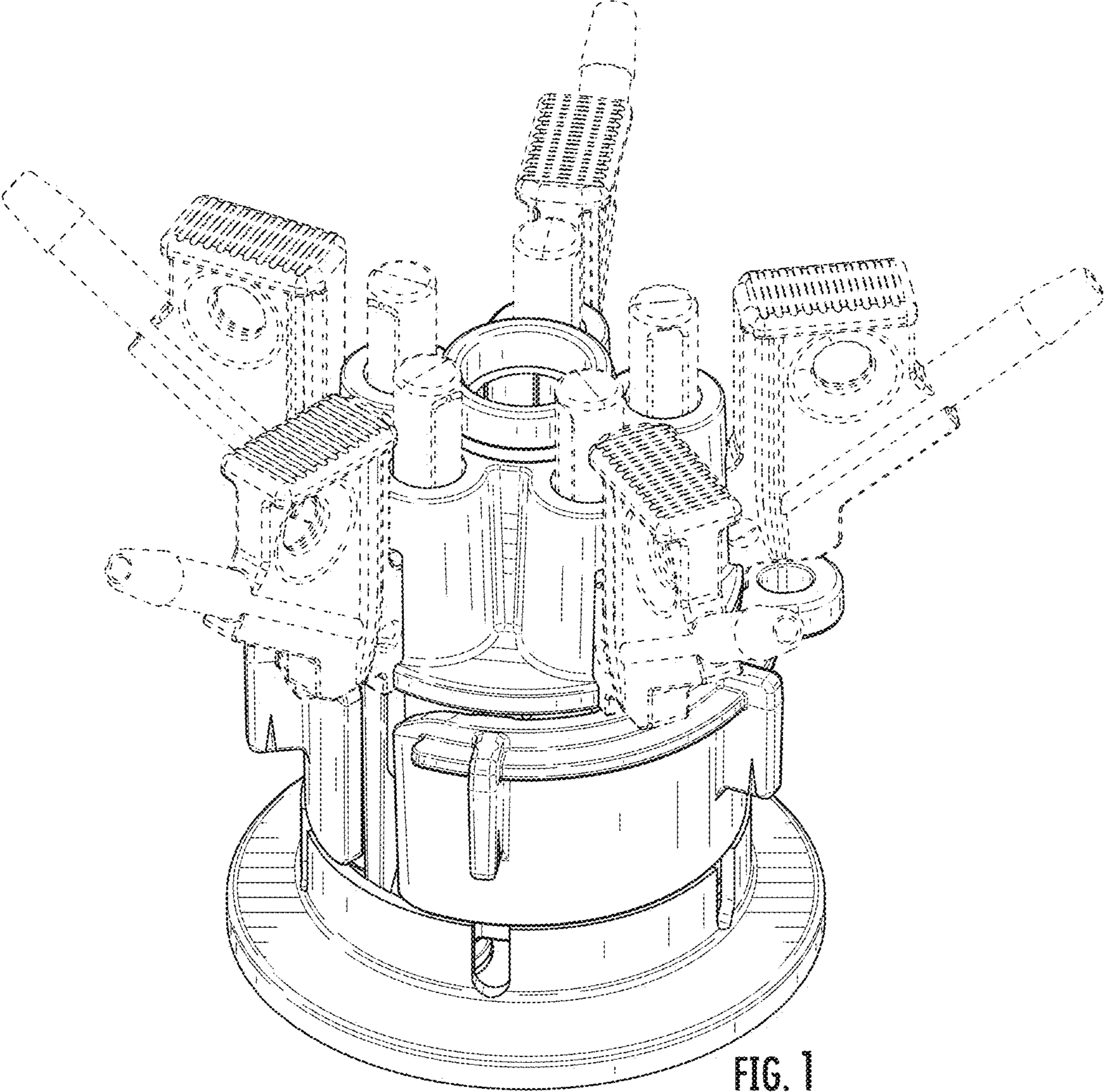


FIG. 1

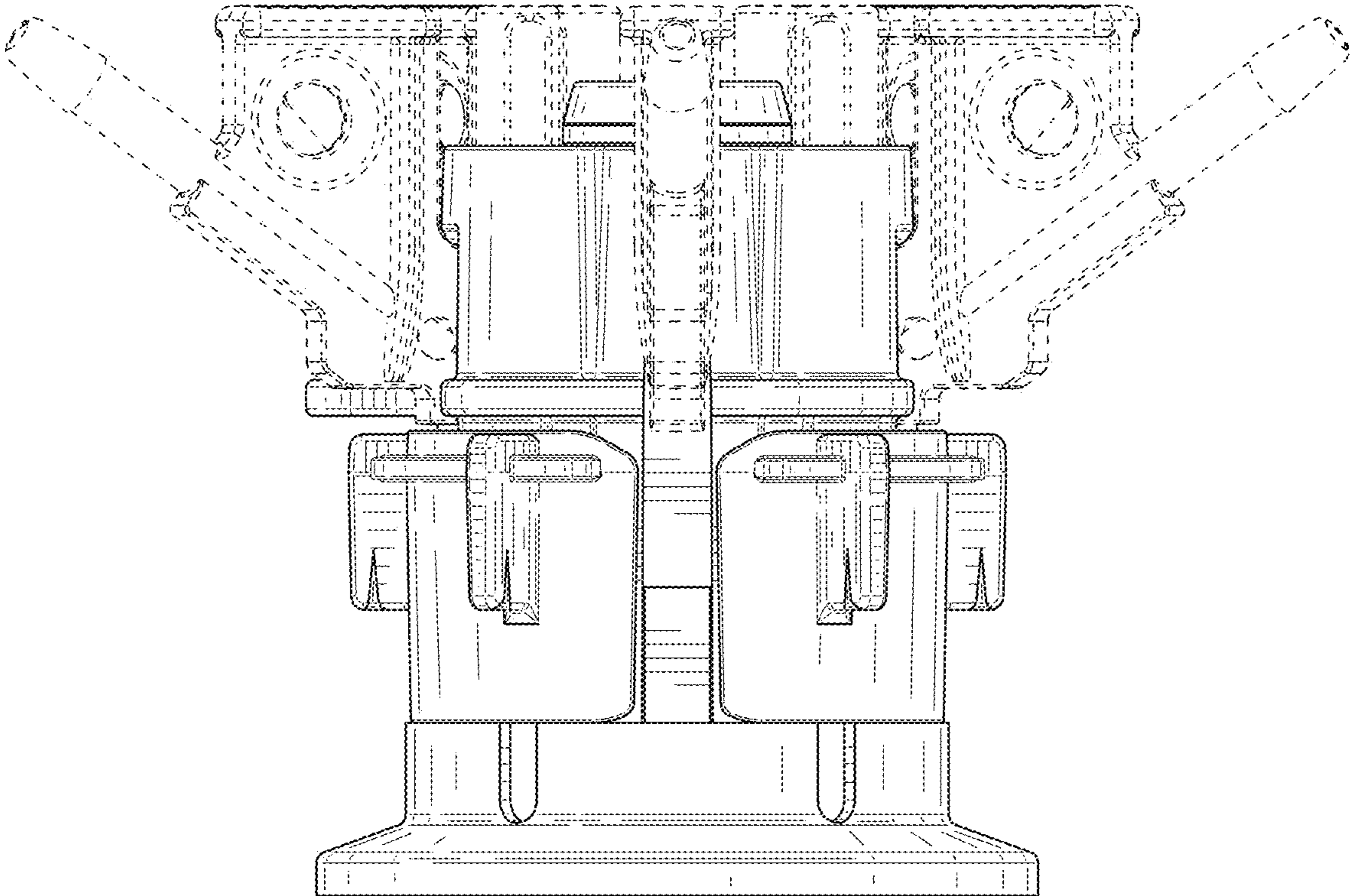


FIG. 2

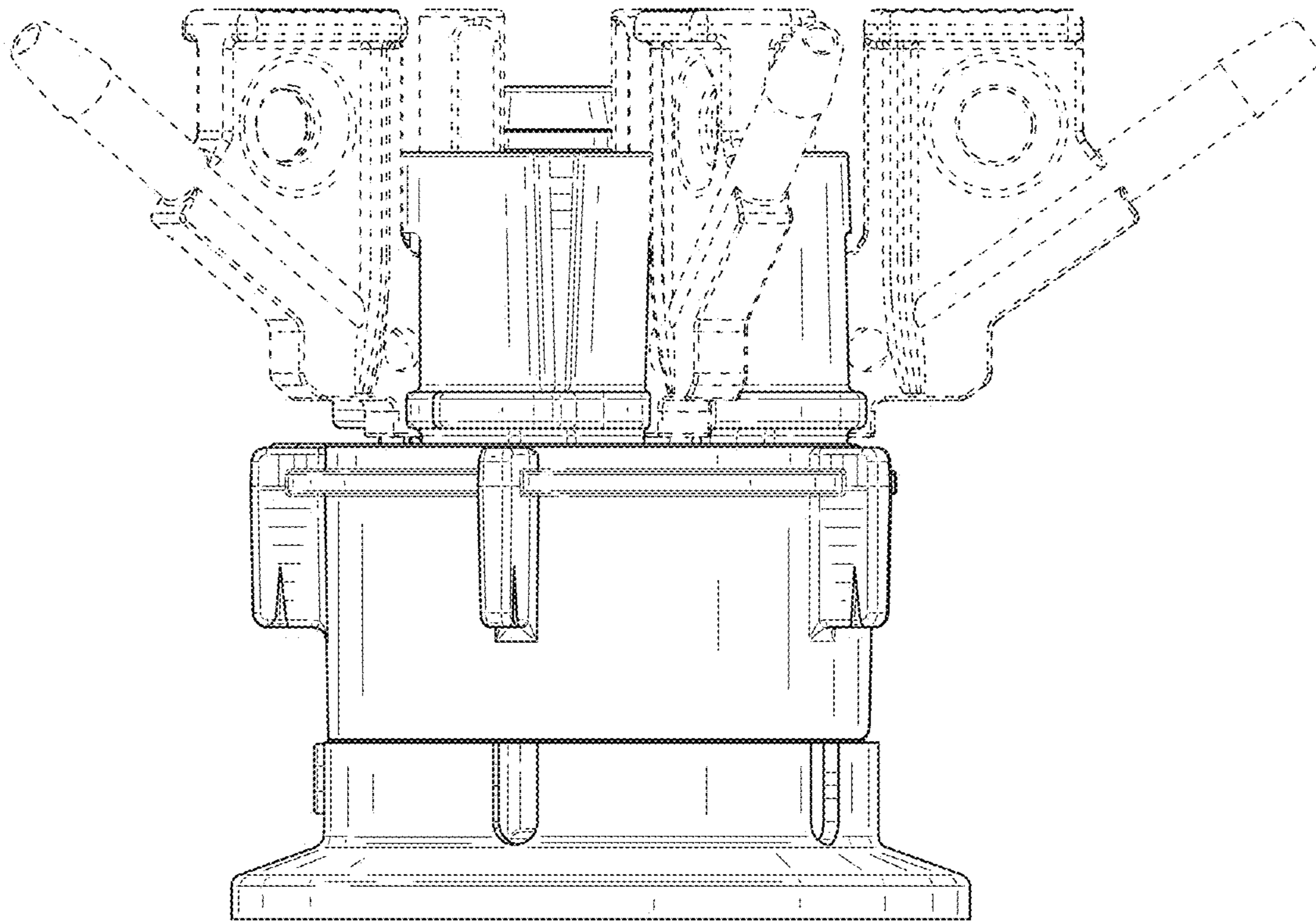


FIG. 3

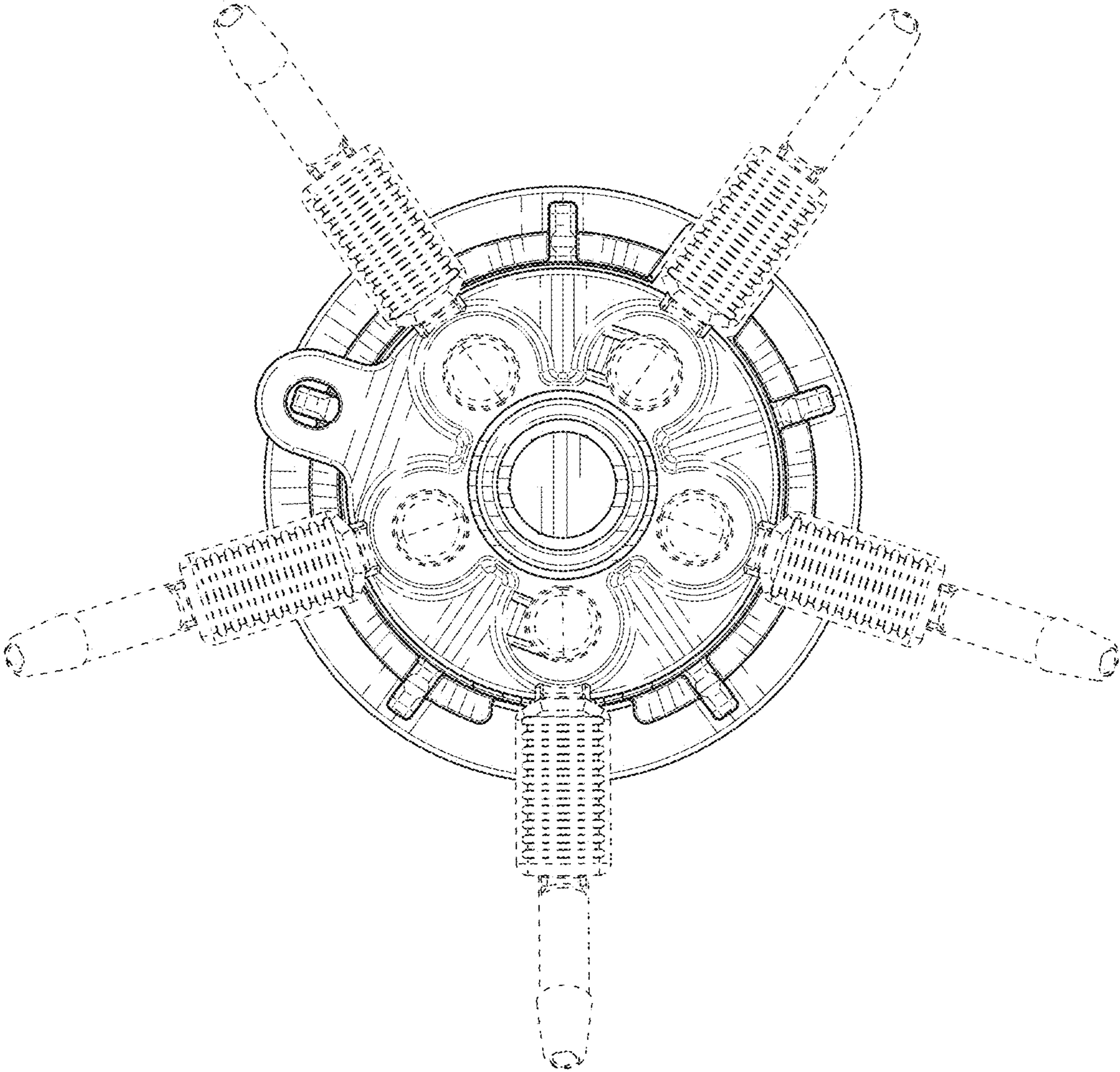


FIG. 4

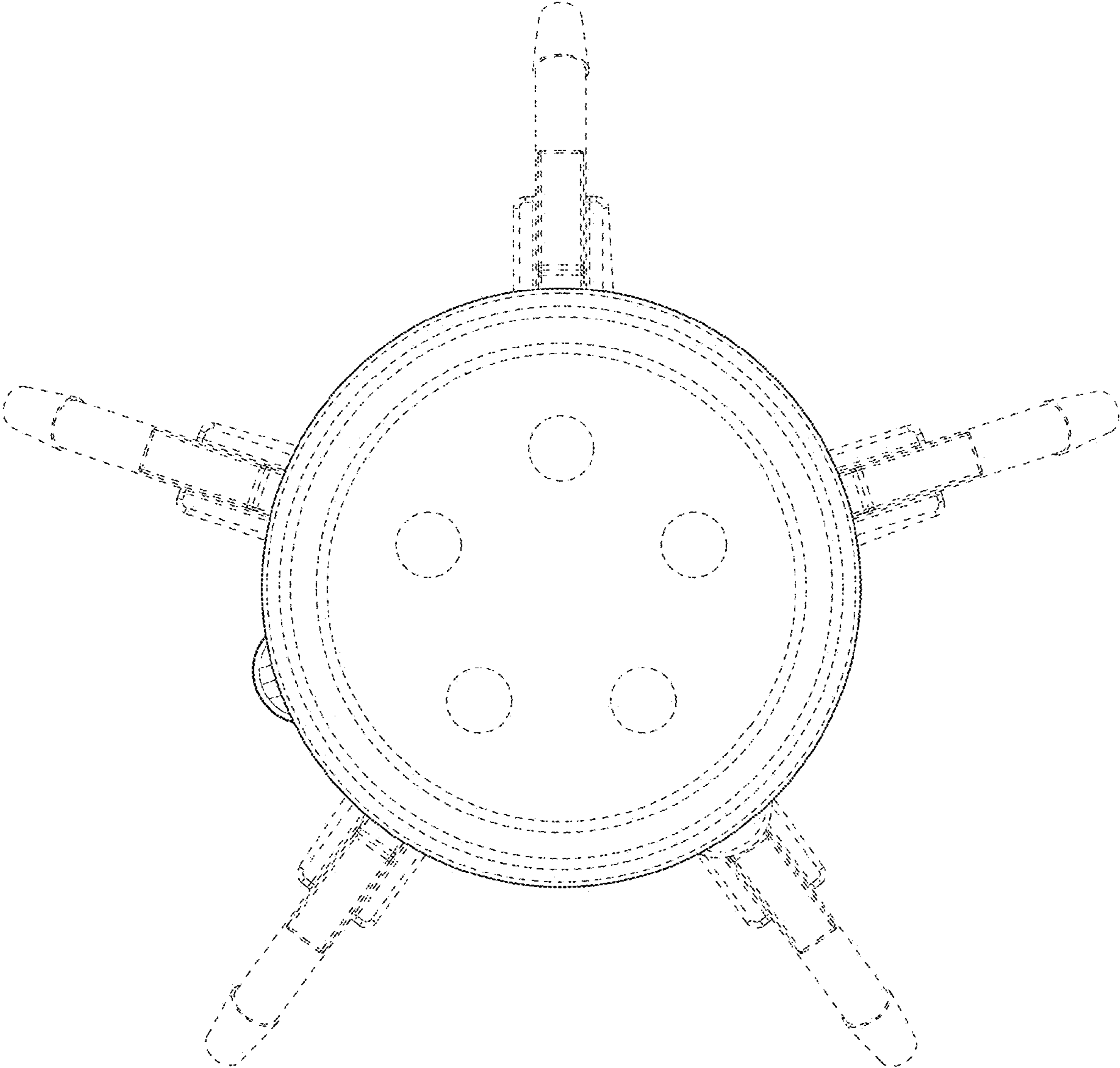


FIG. 5