



US00D889682S

(12) **United States Design Patent** (10) **Patent No.:** **US D889,682 S**
Maw et al. (45) **Date of Patent:** **** Jul. 7, 2020**

(54) **SANITIZING MACHINE WITH FILTER DOOR**

(71) Applicant: **SoClean, Inc.**, Peterborough, NH (US)

(72) Inventors: **Kurt Michael Maw**, Salem, MA (US);
Ashley James Nye Legg, Newton, MA (US)

(73) Assignee: **SOCLEAN, INC.**, Peterborough, NH (US)

(**) Term: **15 Years**

(21) Appl. No.: **29/684,173**

(22) Filed: **Mar. 19, 2019**

(51) **LOC (12) Cl.** **24-01**

(52) **U.S. Cl.**
USPC **D24/217**

(58) **Field of Classification Search**
USPC D24/216, 217, 218, 219, 232; D3/205,
D3/294
CPC A61L 2/26; A61L 2/24; A61L 2/17; A61L
2/18; A61L 2/025; A61L 2202/122; A61L
2202/10; A61L 2202/11; A61L 2202/14;
A61L 2202/23; A61L 2202/24; A61L
2202/182

See application file for complete search history.

(56) **References Cited**

U.S. PATENT DOCUMENTS

D524,998	S	*	7/2006	Nickerson	D32/1
D679,825	S	*	4/2013	Elkerbout	D24/217
D719,673	S	*	12/2014	Leyva	D24/217
9,610,373	B2	*	4/2017	Leyva	A61M 16/0875
9,669,124	B2	*	6/2017	Leyva	A61L 2/202
D825,778	S	*	8/2018	Brenner	D24/232
D848,635	S	*	5/2019	Davis	D24/217
10,427,961	B2	*	10/2019	Leyva	A61M 16/06

OTHER PUBLICATIONS

U.S. Appl. No. 29/684,168, filed Mar. 19, 2019.

(Continued)

Primary Examiner — Anhdao Doan

(74) *Attorney, Agent, or Firm* — Grossman, Tucker,
Perreault & Pfleger, PLLC

(57) **CLAIM**

The ornamental design for a sanitizing machine with filter door, as shown and described.

DESCRIPTION

FIG. 1 is a rear right perspective view of a sanitizing machine with filter door, showing the new design with the filter door open;

FIG. 2 is a rear left top perspective view thereof;

FIG. 3 is a rear right bottom perspective view thereof;

FIG. 4 is a rear left bottom perspective view thereof;

FIG. 5 is a back side view thereof;

FIG. 6 is a right side view thereof;

FIG. 7 is a left side view thereof;

FIG. 8 is a top view thereof;

FIG. 9 is a bottom view thereof;

FIG. 10 is a rear right perspective view of the sanitizing machine with filter door, showing the new design with the filter door closed;

FIG. 11 is a rear left top perspective view thereof;

FIG. 12 is a rear right bottom perspective view thereof;

FIG. 13 is a rear left bottom perspective view thereof;

FIG. 14 is a top view thereof;

FIG. 15 is a bottom view thereof;

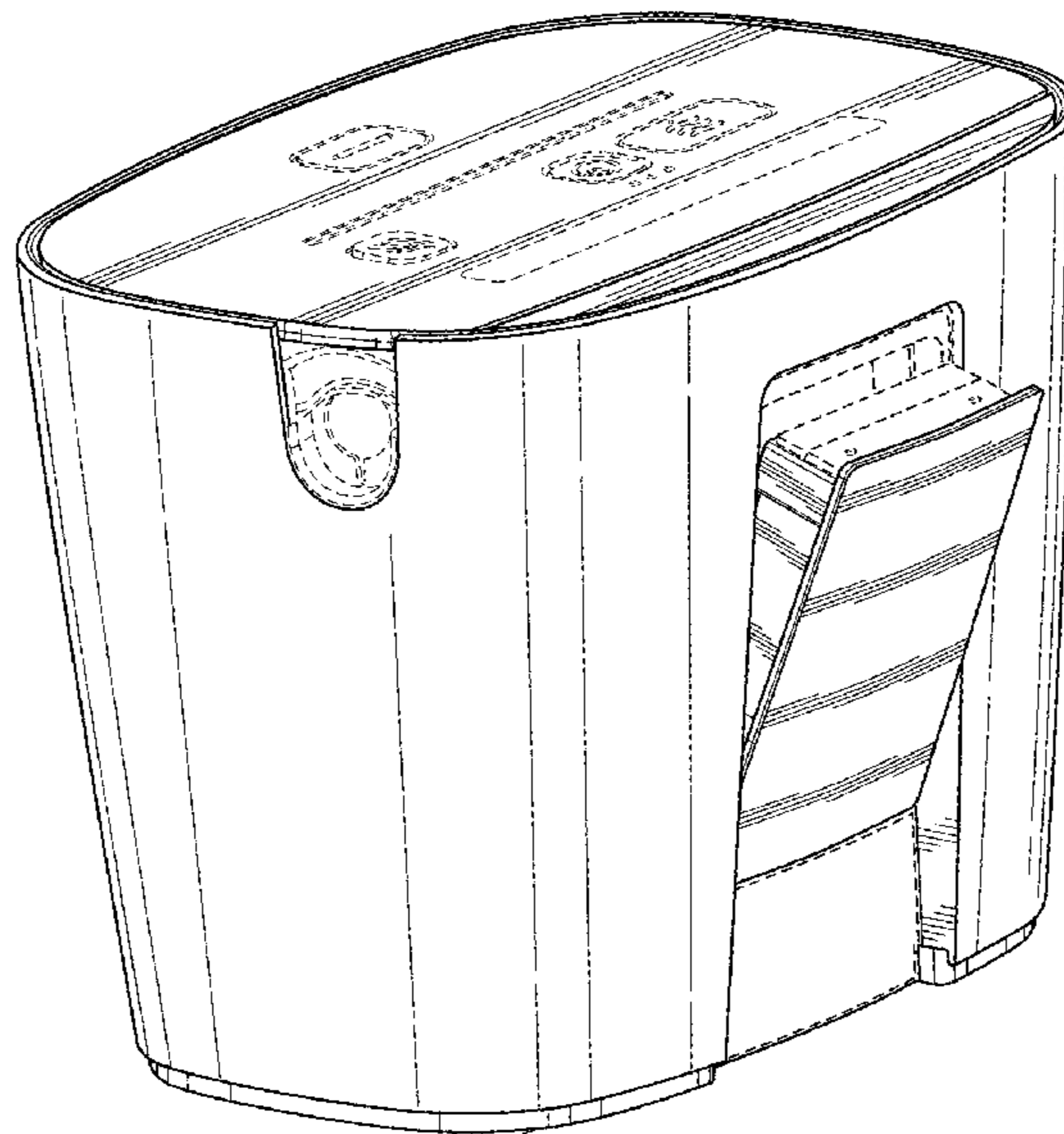
FIG. 16 is a front view thereof;

FIG. 17 is a right side view thereof; and,

FIG. 18 is a left side view thereof.

The broken lines in the figures show portions of the sanitizing machine with filter door that form no part of the claimed design.

1 Claim, 18 Drawing Sheets



(56)

References Cited

OTHER PUBLICATIONS

U.S. Appl. No. 29/684,229, filed Mar. 19, 2019.
U.S. Appl. No. 29/684,180, filed Mar. 19, 2019.
U.S. Appl. No. 29/684,188, filed Mar. 19, 2019.
U.S. Appl. No. 29/684,196, filed Mar. 19, 2019.
U.S. Appl. No. 29/684,206, filed Mar. 19, 2019.
U.S. Appl. No. 29/684,213, filed Mar. 19, 2019.

* cited by examiner

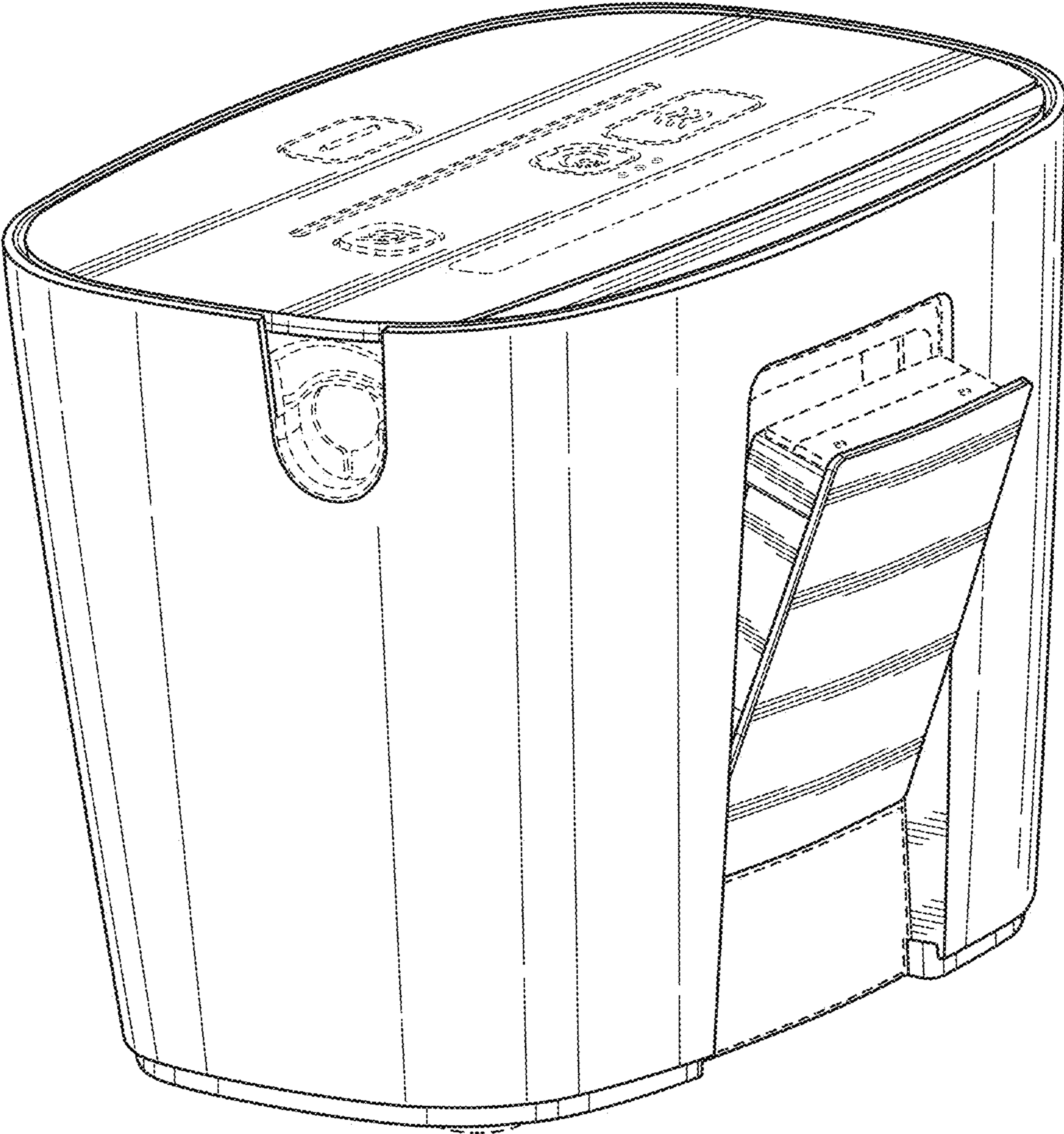


FIG. 1

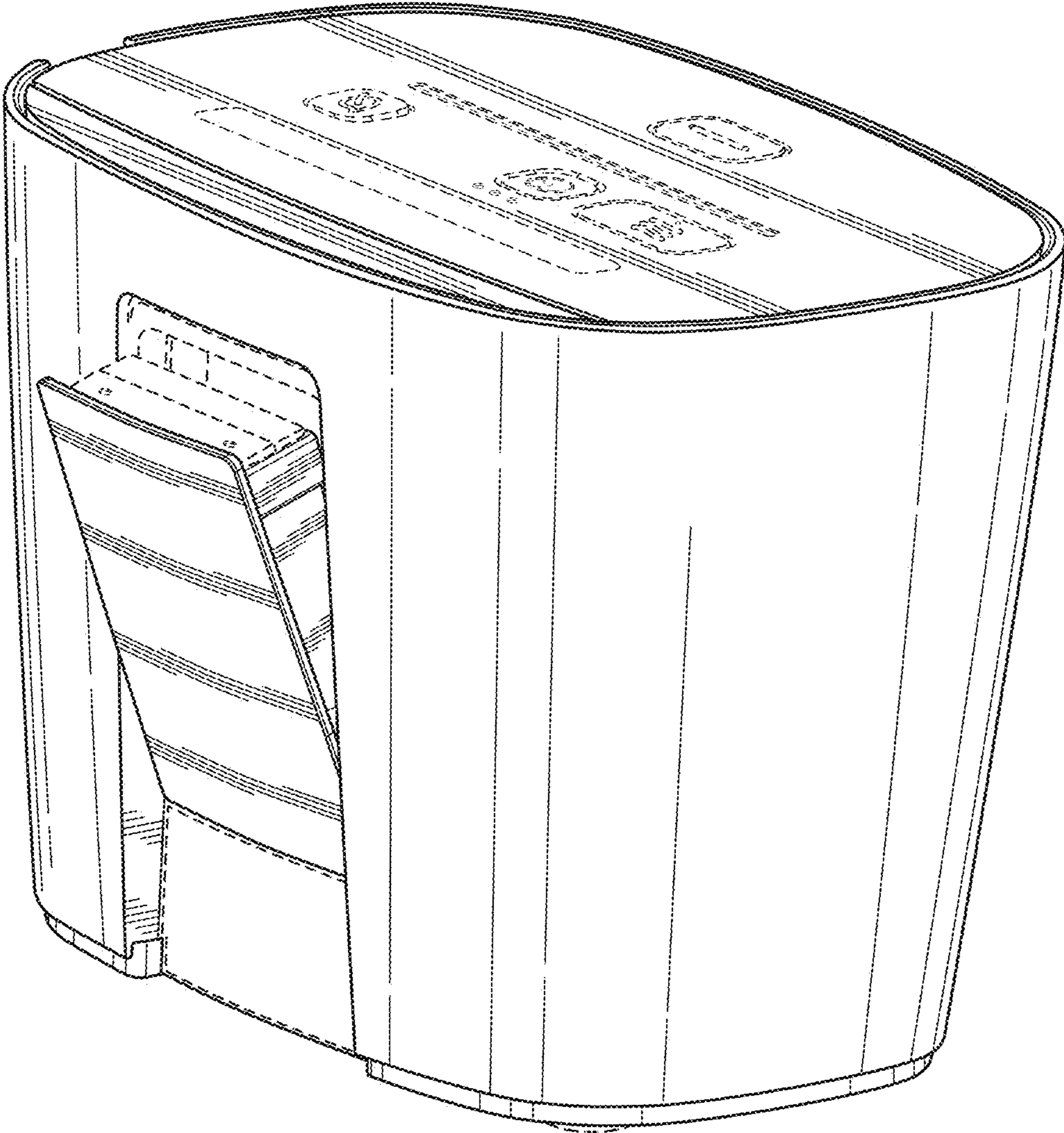


FIG. 2

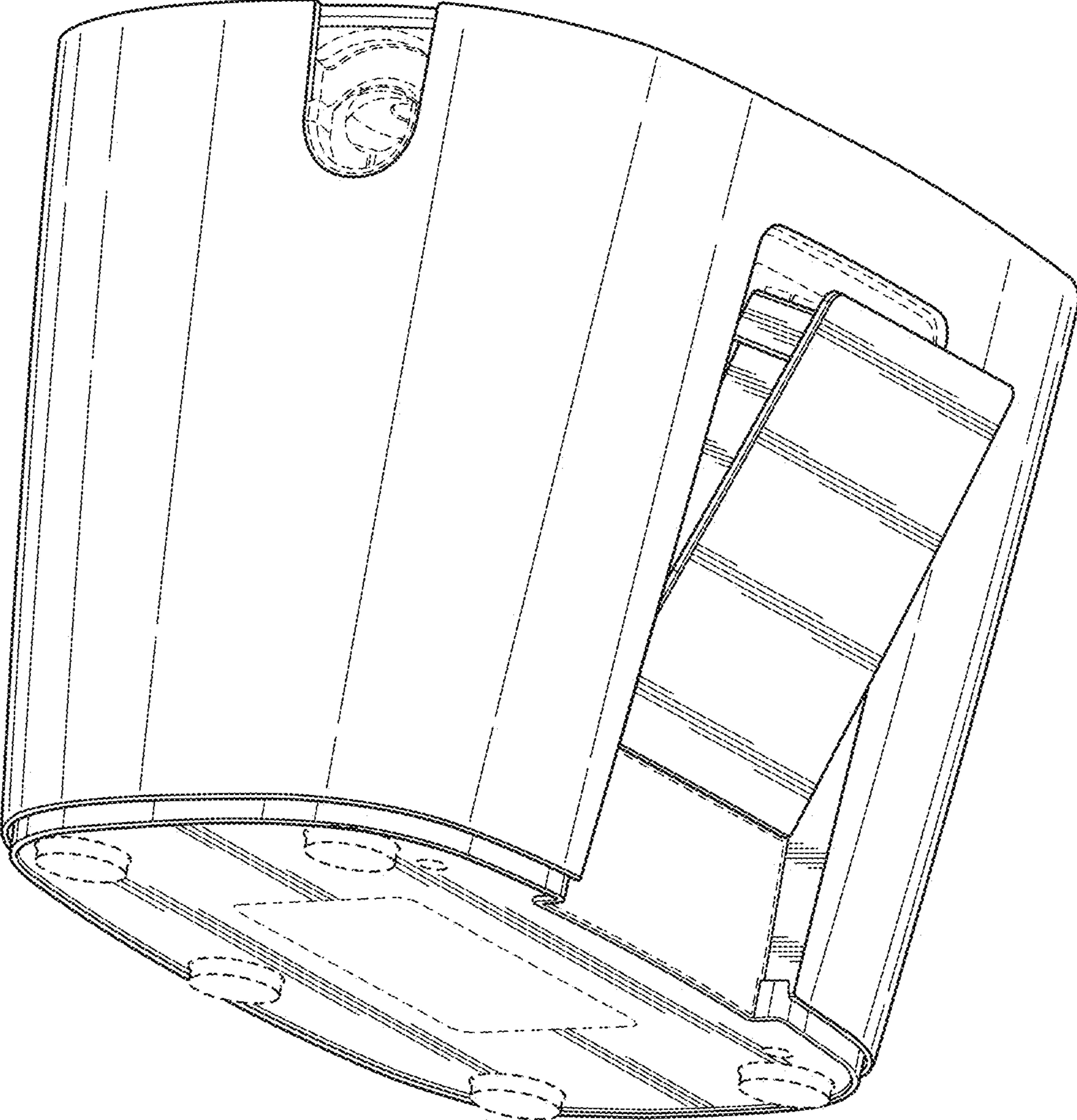


FIG. 3

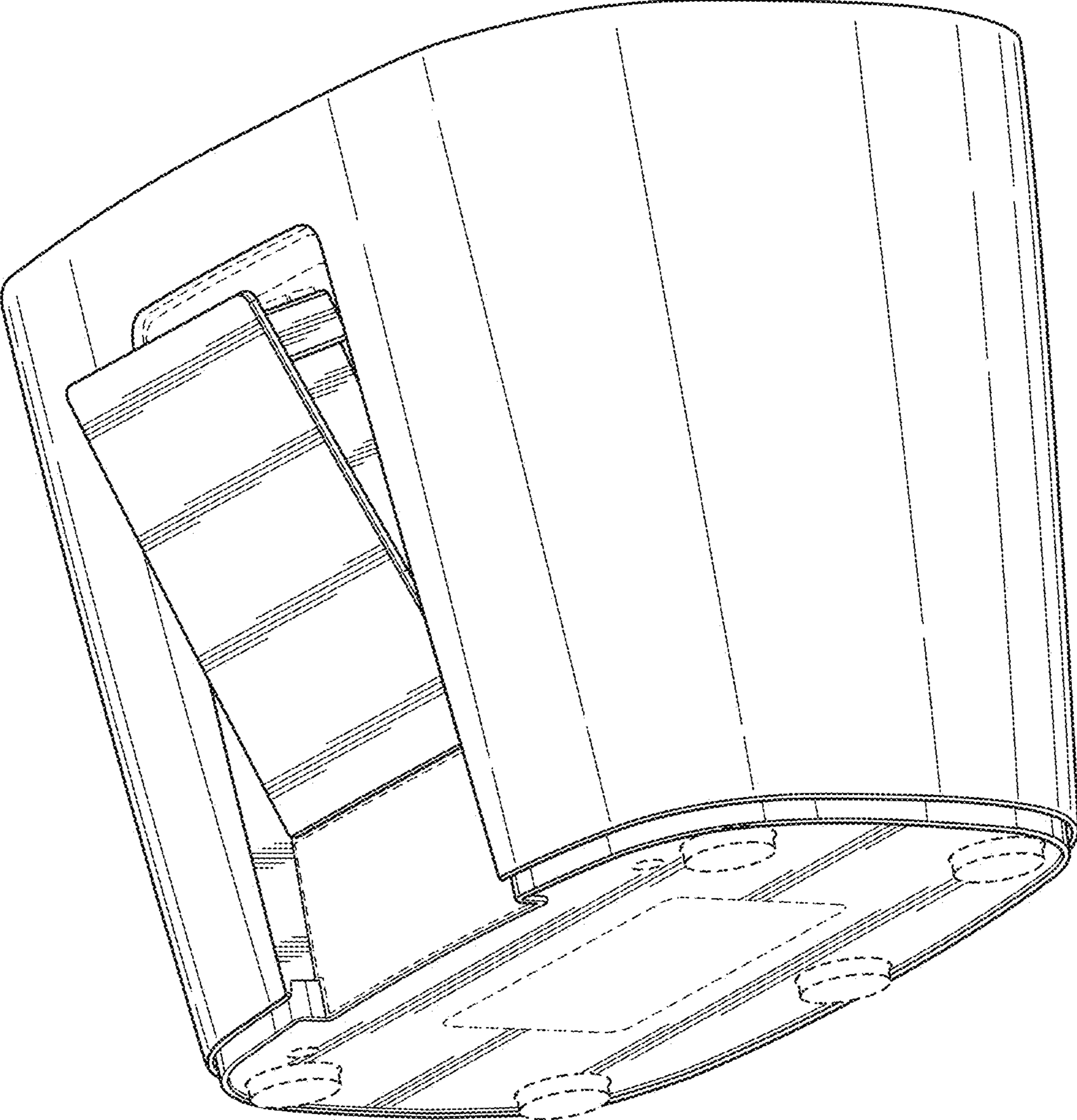


FIG. 4

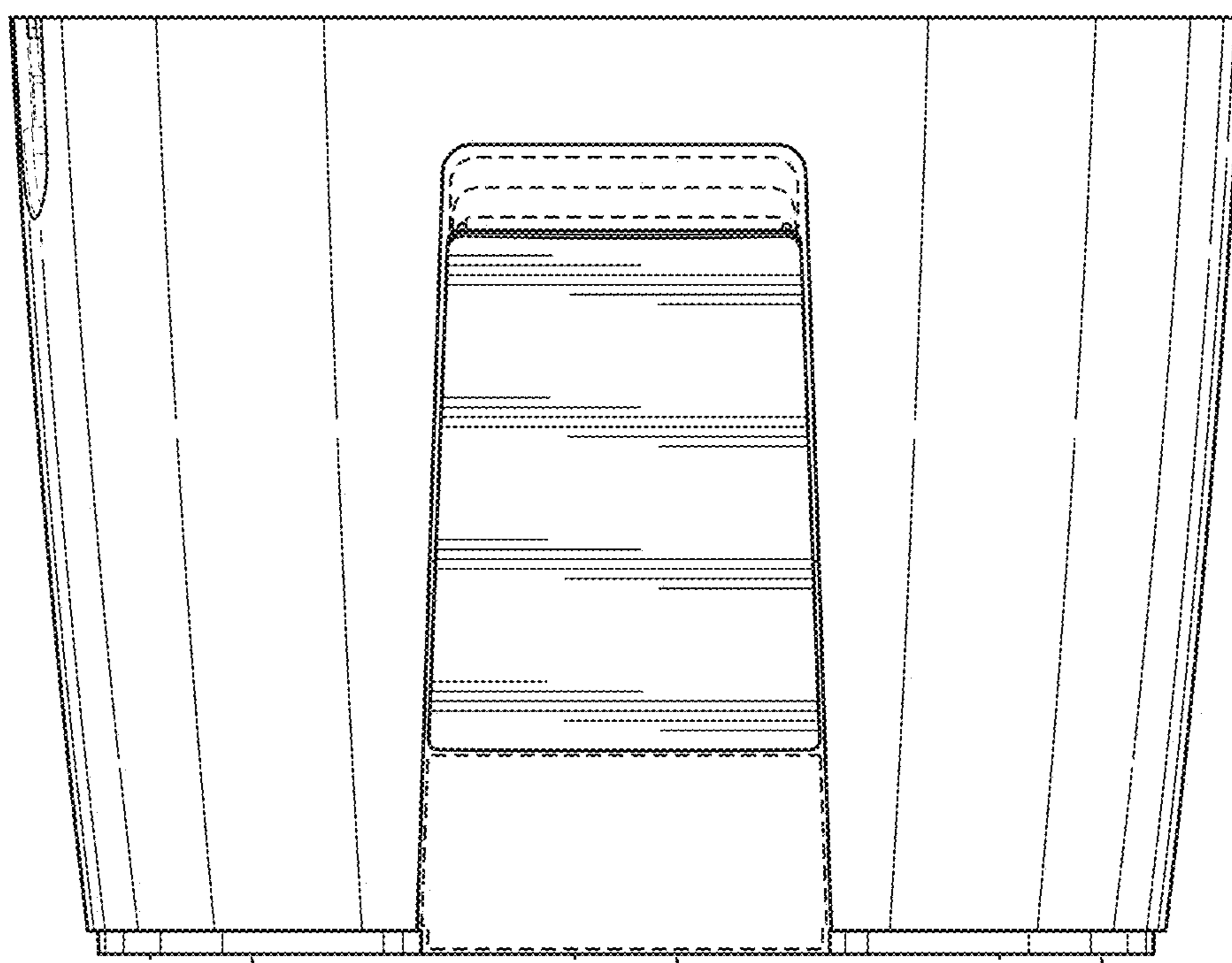


FIG. 5

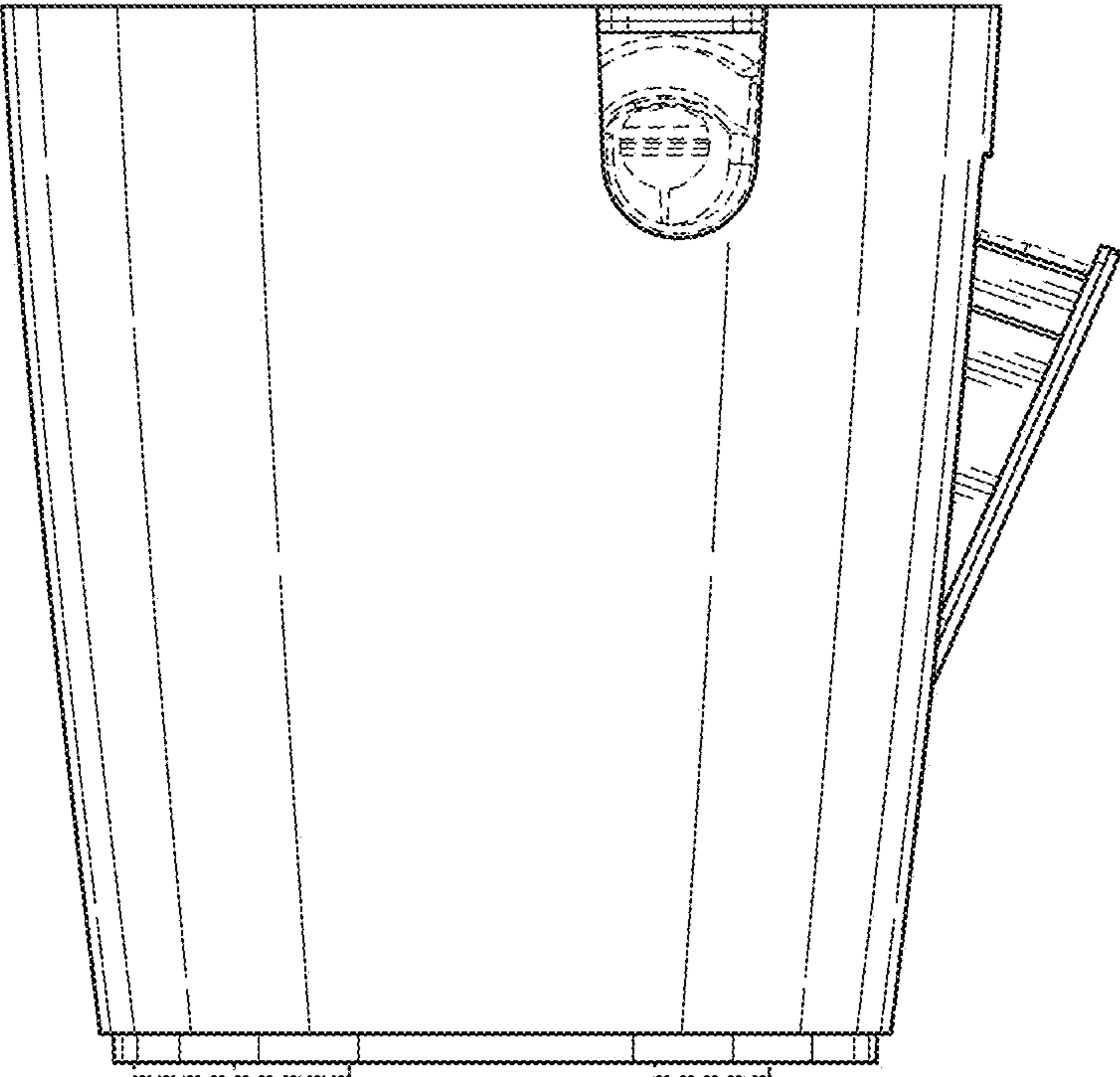


FIG. 6

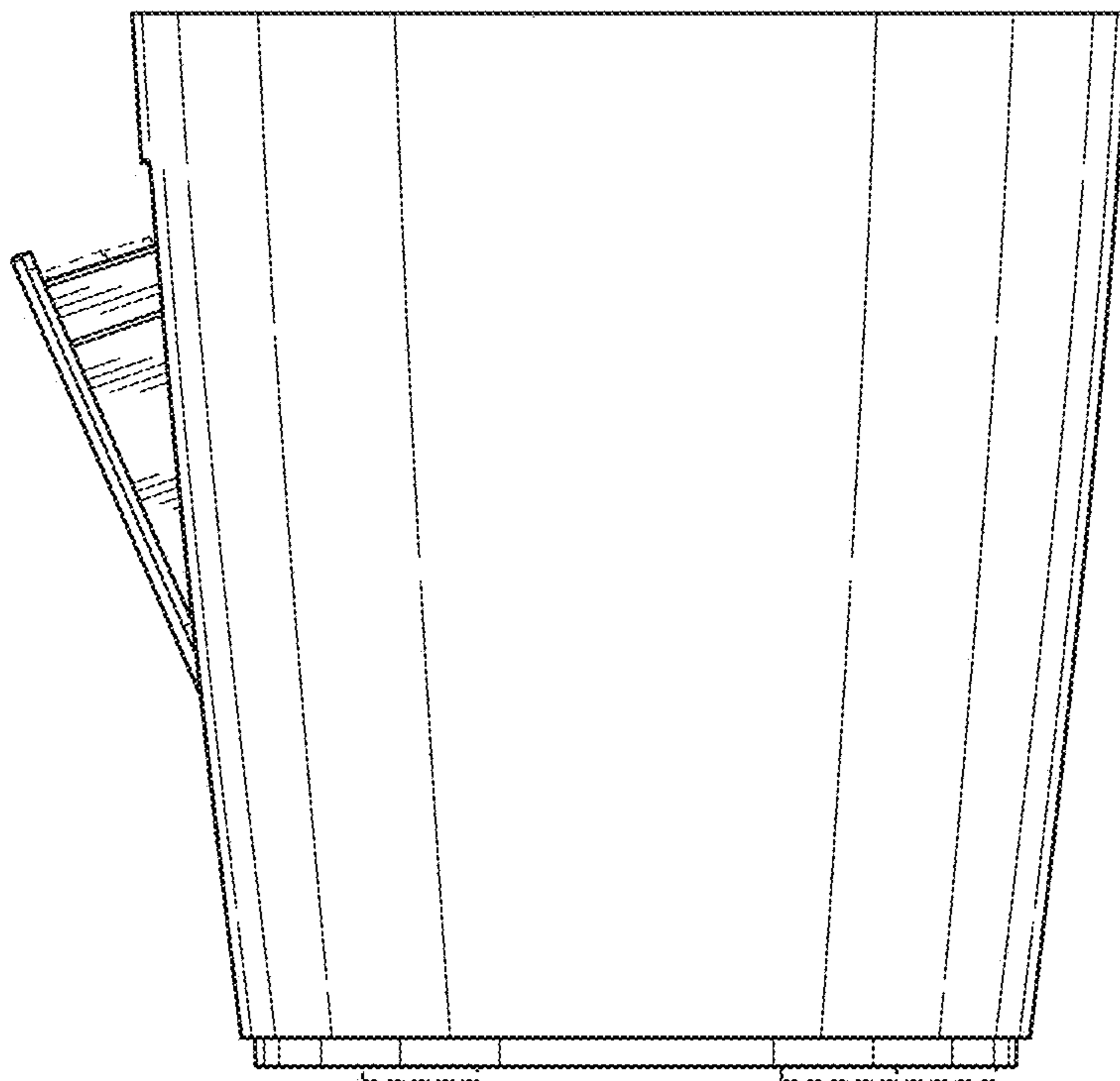


FIG. 7

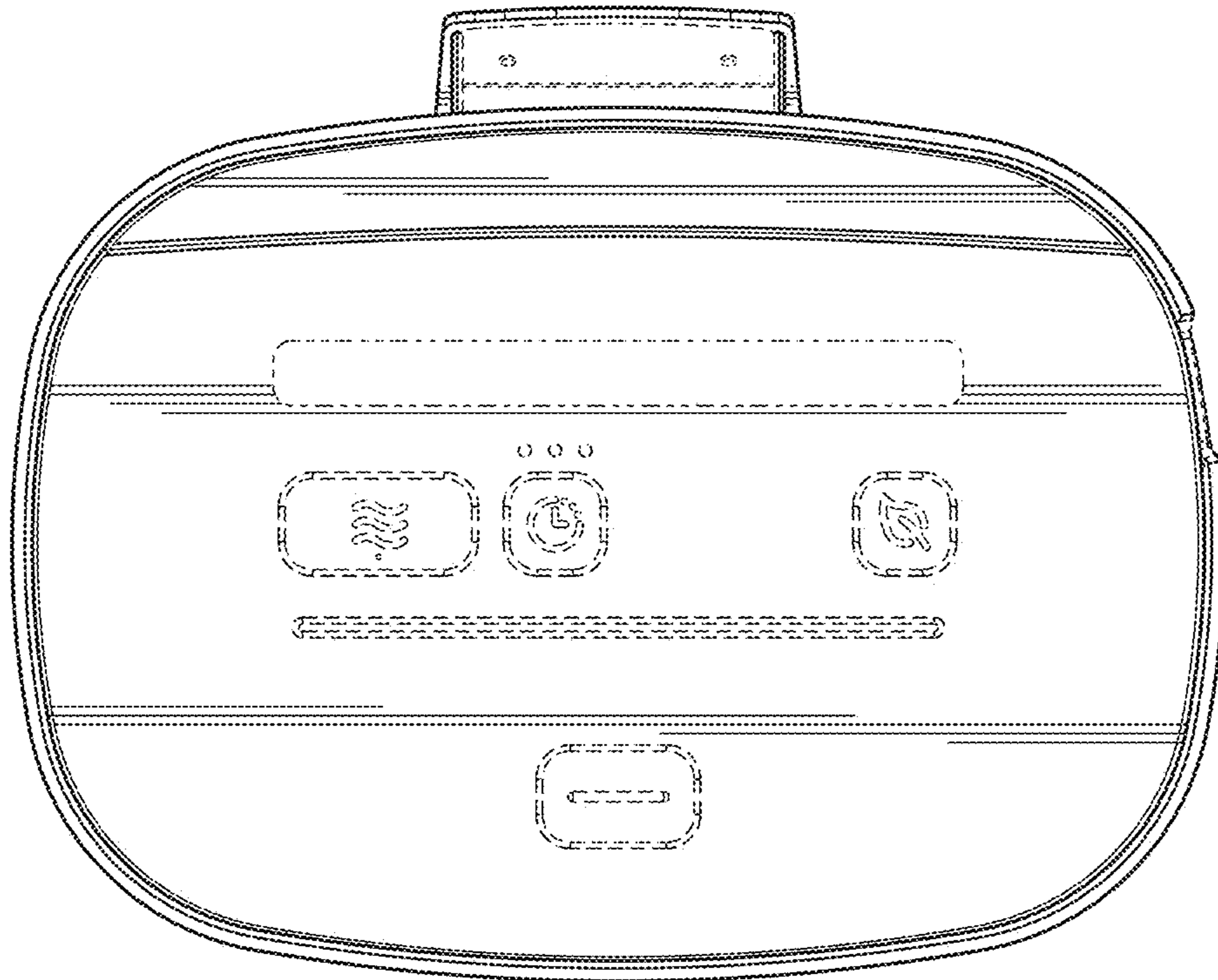


FIG. 8

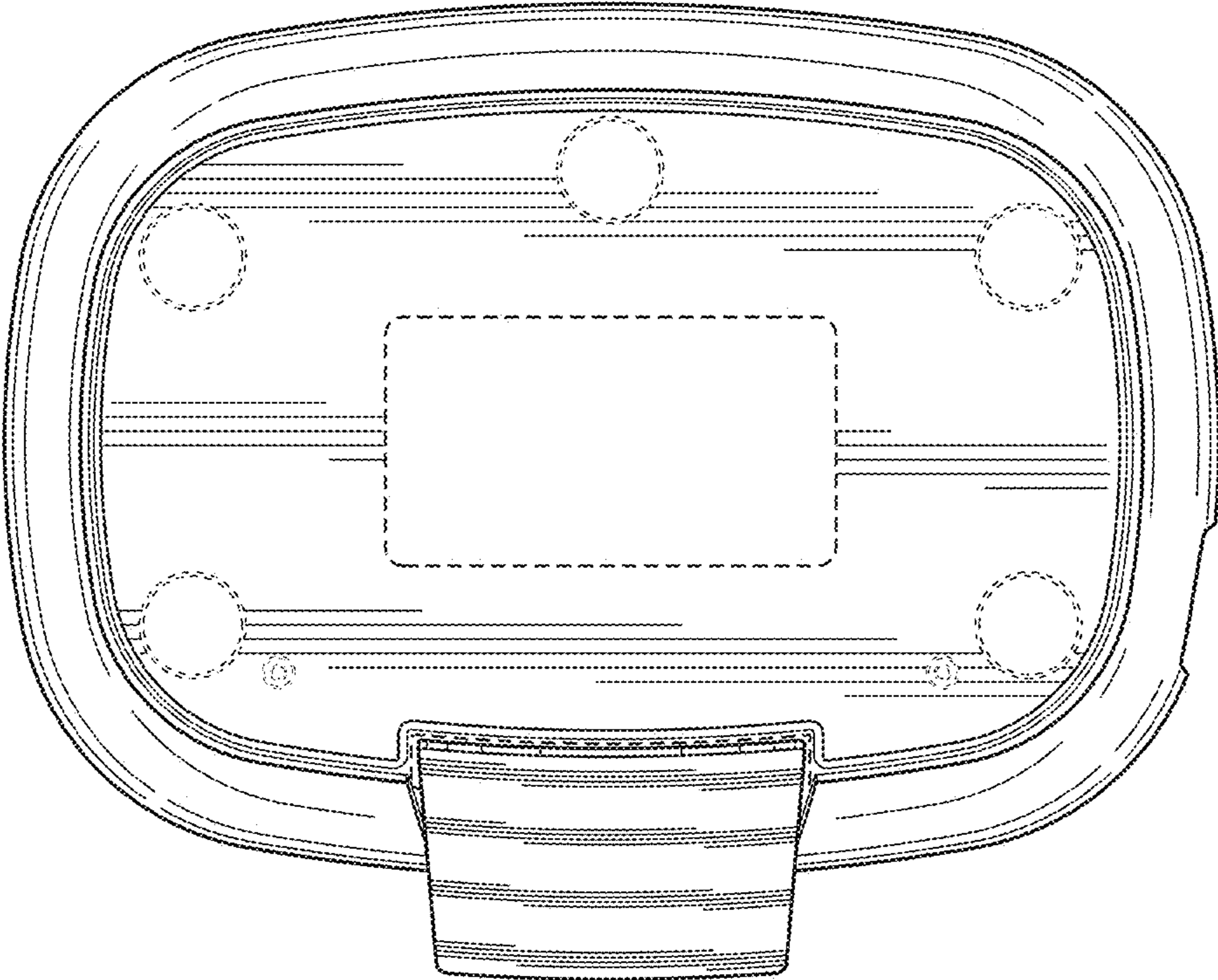


FIG. 9

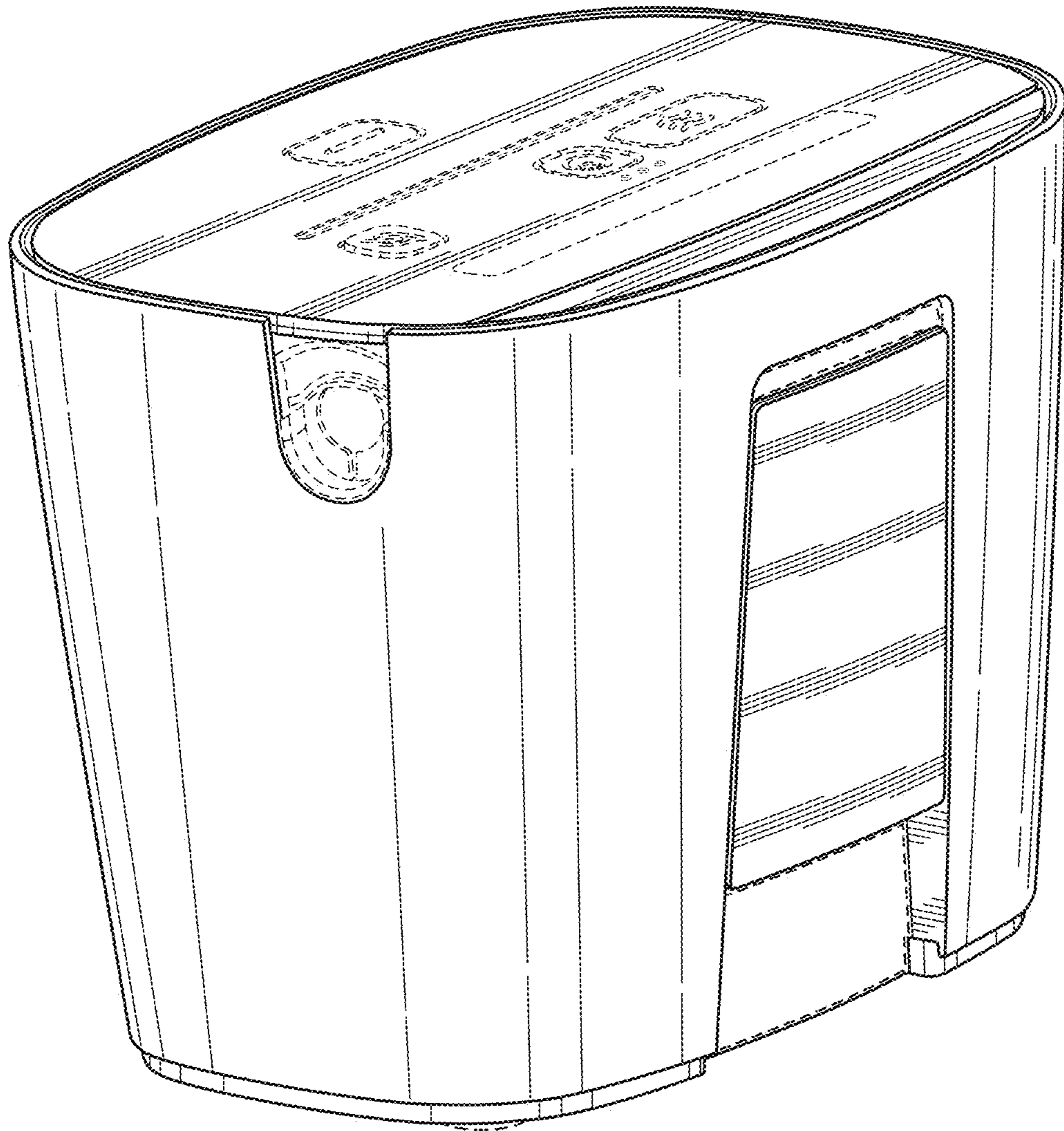


FIG. 10

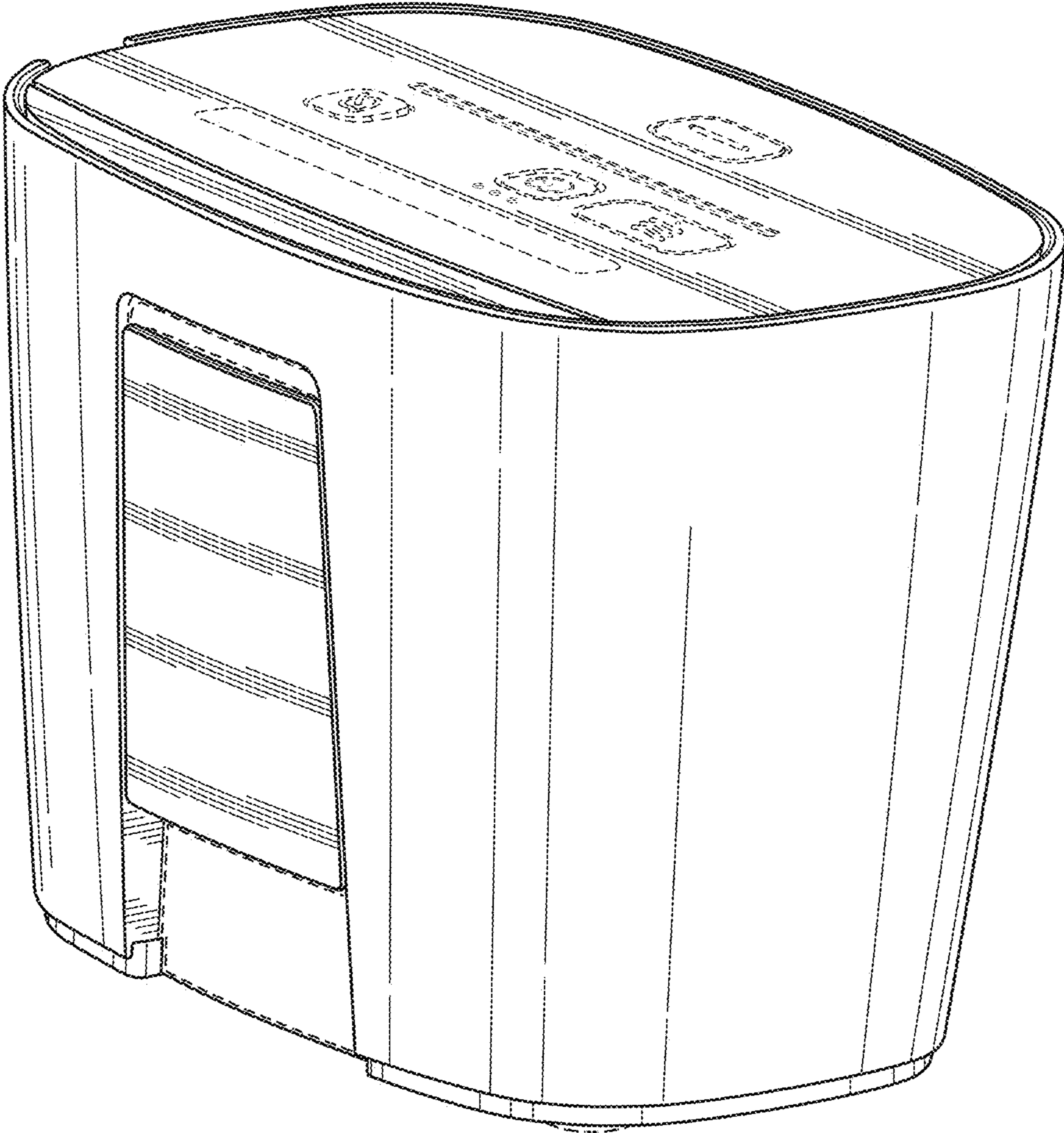


FIG. 11

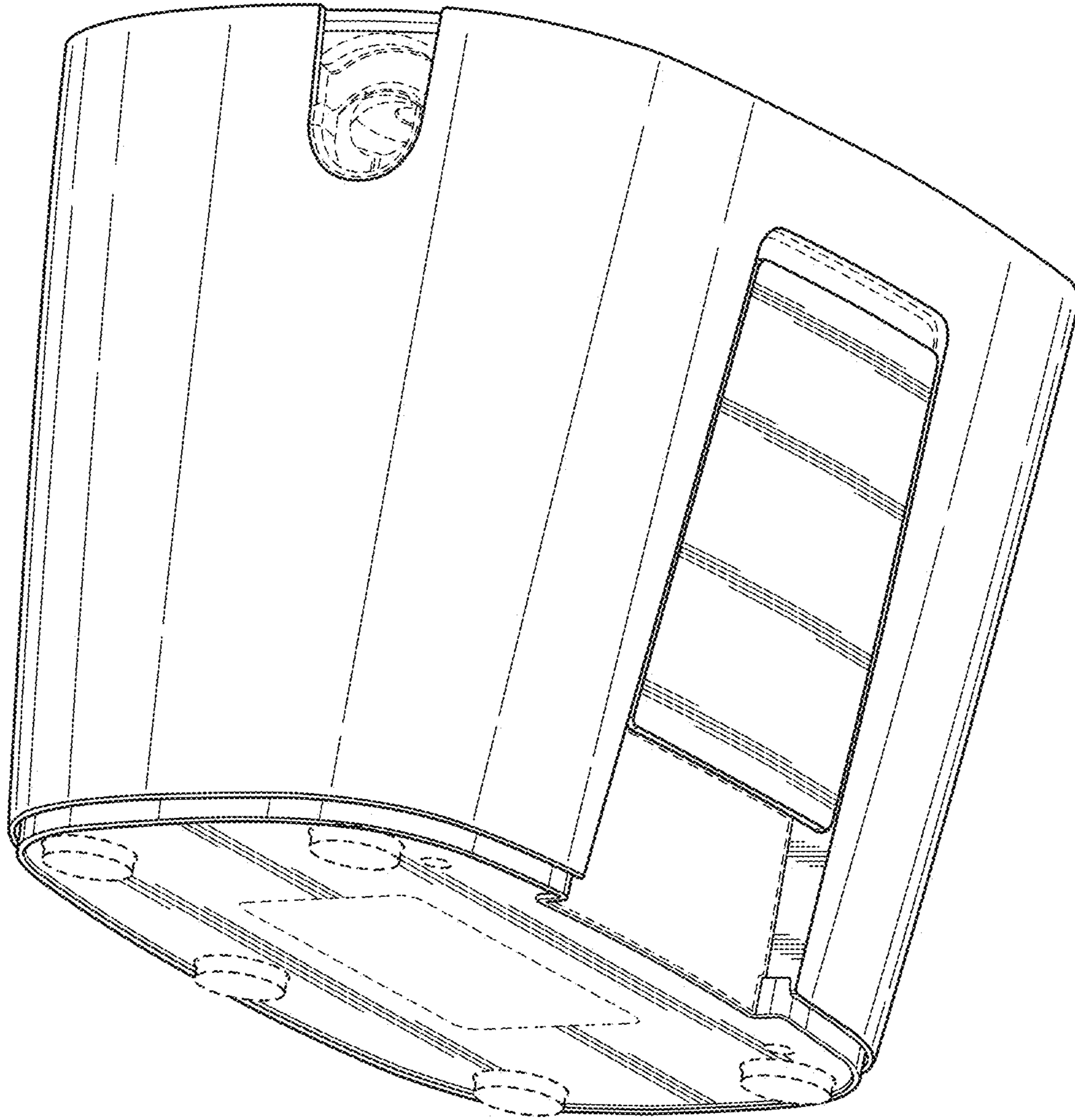


FIG. 12

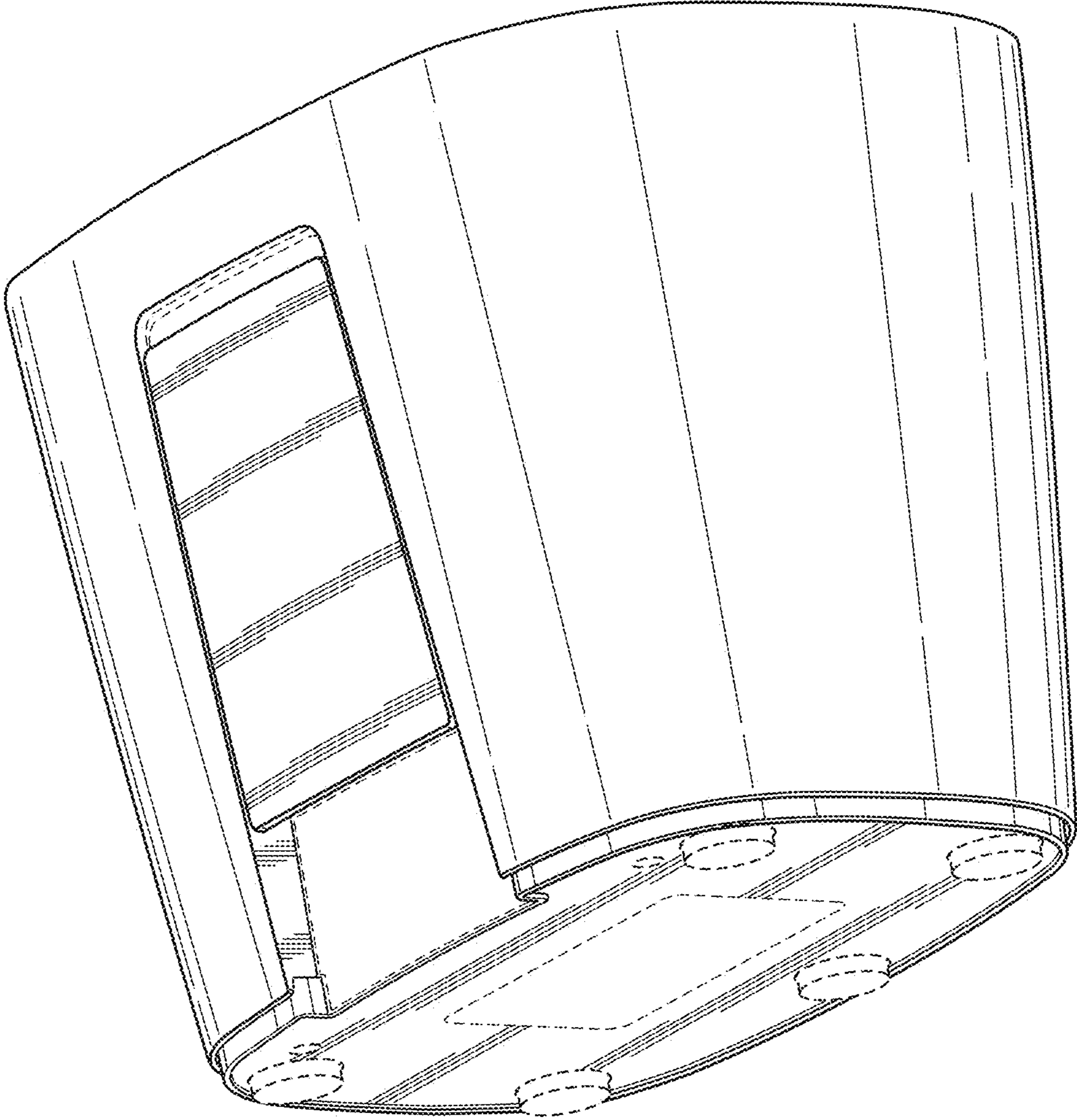


FIG. 13

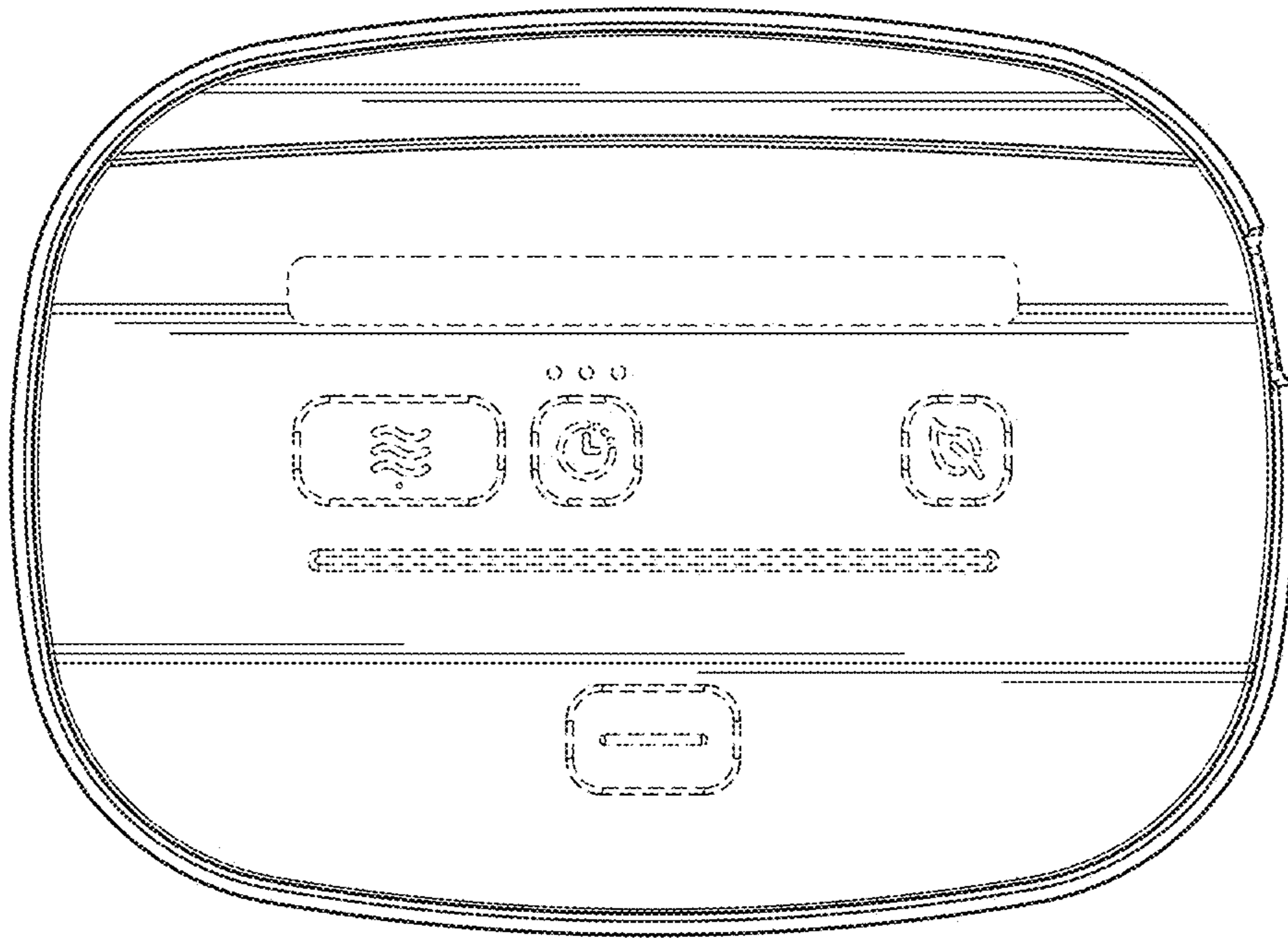


FIG. 14

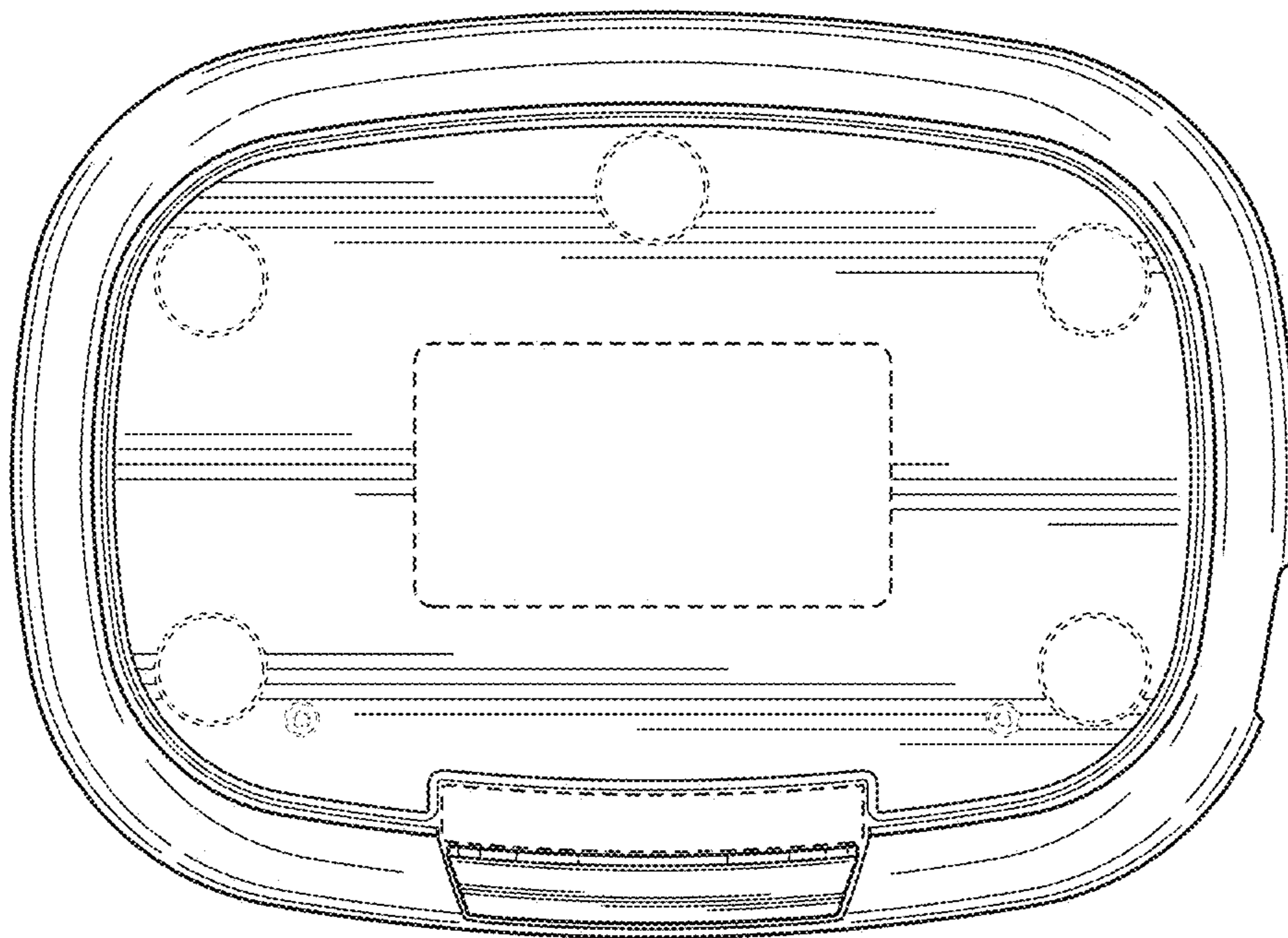


FIG. 15

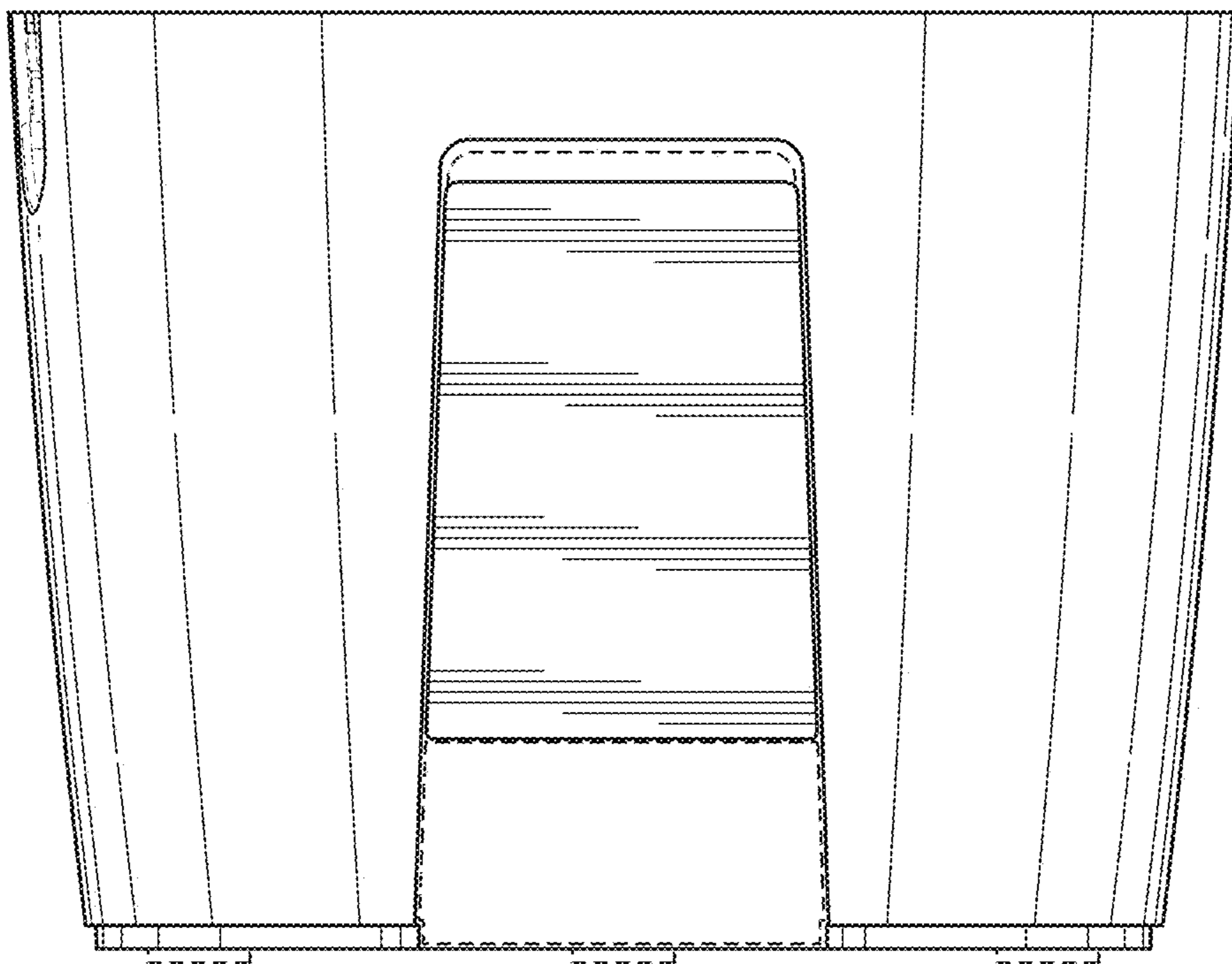


FIG. 16

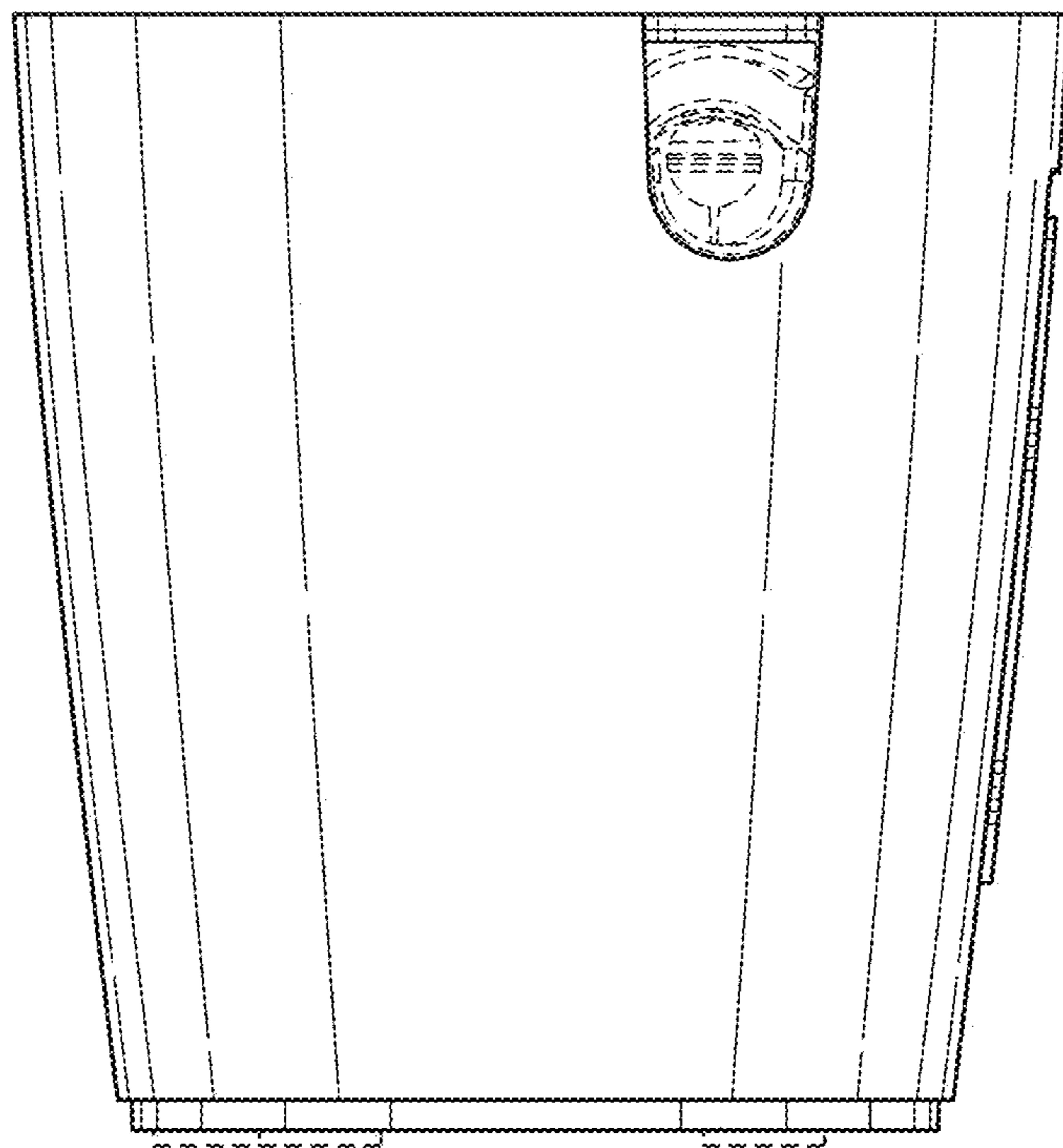


FIG. 17

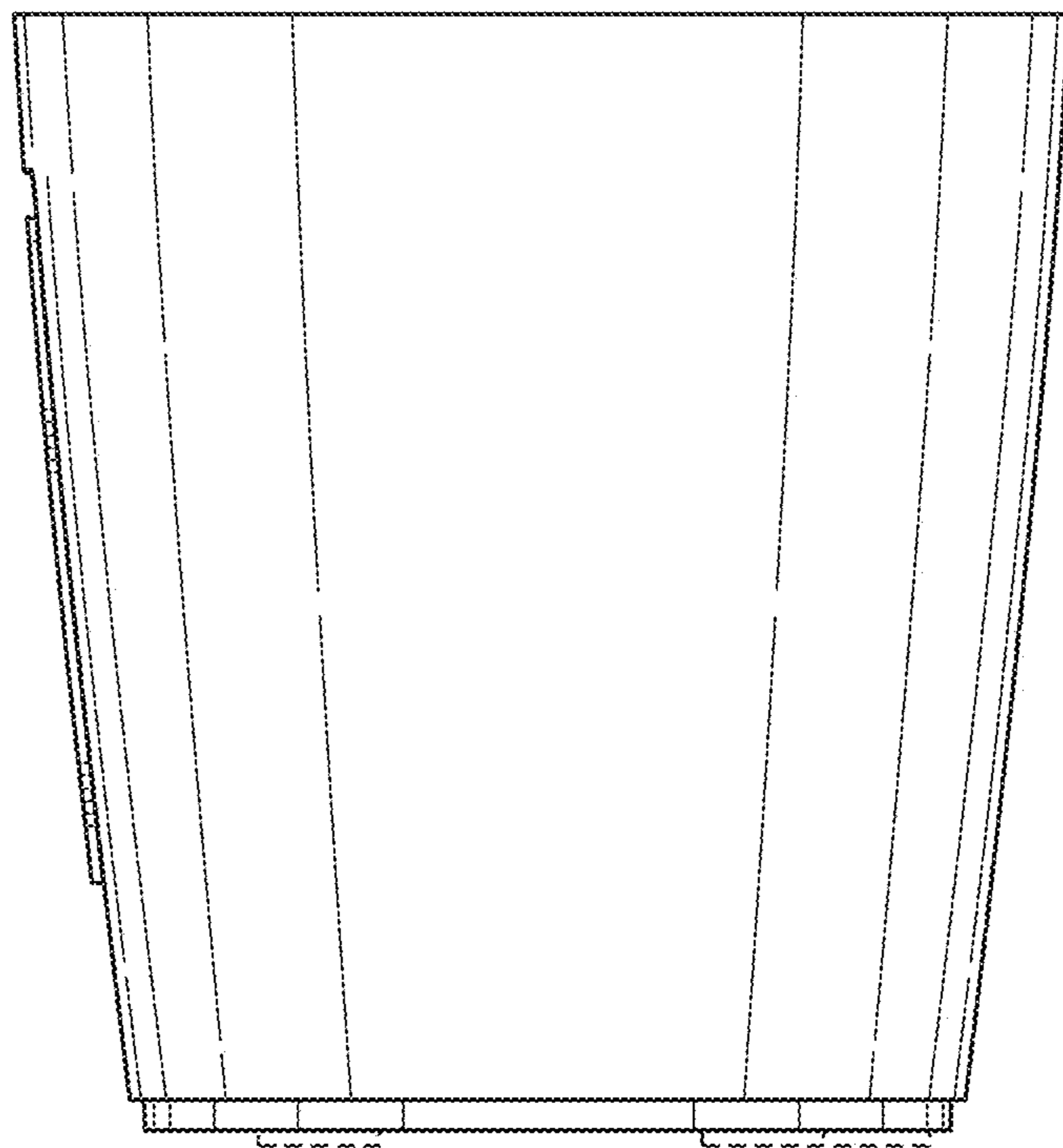


FIG. 18