



US00D889681S

(12) **United States Design Patent**
Maw et al.

(10) **Patent No.: US D889,681 S**
(45) **Date of Patent: ** Jul. 7, 2020**

(54) **SANITIZING MACHINE**

OTHER PUBLICATIONS

(71) Applicant: **SoClean, Inc.**, Peterborough, NH (US)

(72) Inventors: **Kurt Michael Maw**, Salem, MA (US);
Ashley James Nye Legg, Newton, MA (US)

(73) Assignee: **SOCLEAN, INC.**, Peterborough, NH (US)

(**) Term: **15 Years**

(21) Appl. No.: **29/684,168**

(22) Filed: **Mar. 19, 2019**

(51) **LOC (12) Cl.** **24-01**

(52) **U.S. Cl.**
USPC **D24/217**

(58) **Field of Classification Search**

USPC D24/216, 217, 218, 219, 232
CPC A61L 2/26; A61L 2/24; A61L 2/17; A61L 2/18; A61L 2/025; A61L 2202/122; A61L 2202/10; A61L 2202/11; A61L 2202/14; A61L 2202/23; A61L 2202/24; A61L 2202/182

See application file for complete search history.

(56) **References Cited**

U.S. PATENT DOCUMENTS

D524,998 S * 7/2006 Nickerson D32/1
D679,825 S * 4/2013 Elkerbout D24/217
D719,673 S * 12/2014 Leyva D24/217
9,610,373 B2 * 4/2017 Leyva A61M 16/0875
9,669,124 B2 * 6/2017 Leyva A61L 2/202
D825,778 S * 8/2018 Brenner D24/232
D848,635 S * 5/2019 Davis D24/217
10,427,961 B2 * 10/2019 Leyva A61M 16/06

U.S. Appl. No. 29/684,229, filed Mar. 19, 2019.
U.S. Appl. No. 29/684,173, filed Mar. 19, 2019.
U.S. Appl. No. 29/684,180, filed Mar. 19, 2019.
U.S. Appl. No. 29/684,188, filed Mar. 19, 2019.
U.S. Appl. No. 29/684,196, filed Mar. 19, 2019.
U.S. Appl. No. 29/684,206, filed Mar. 19, 2019.
U.S. Appl. No. 29/684,213, filed Mar. 19, 2019.

* cited by examiner

Primary Examiner — Anhdao Doan

(74) *Attorney, Agent, or Firm* — Grossman, Tucker, Perreault & Pfleger, PLLC

(57) **CLAIM**

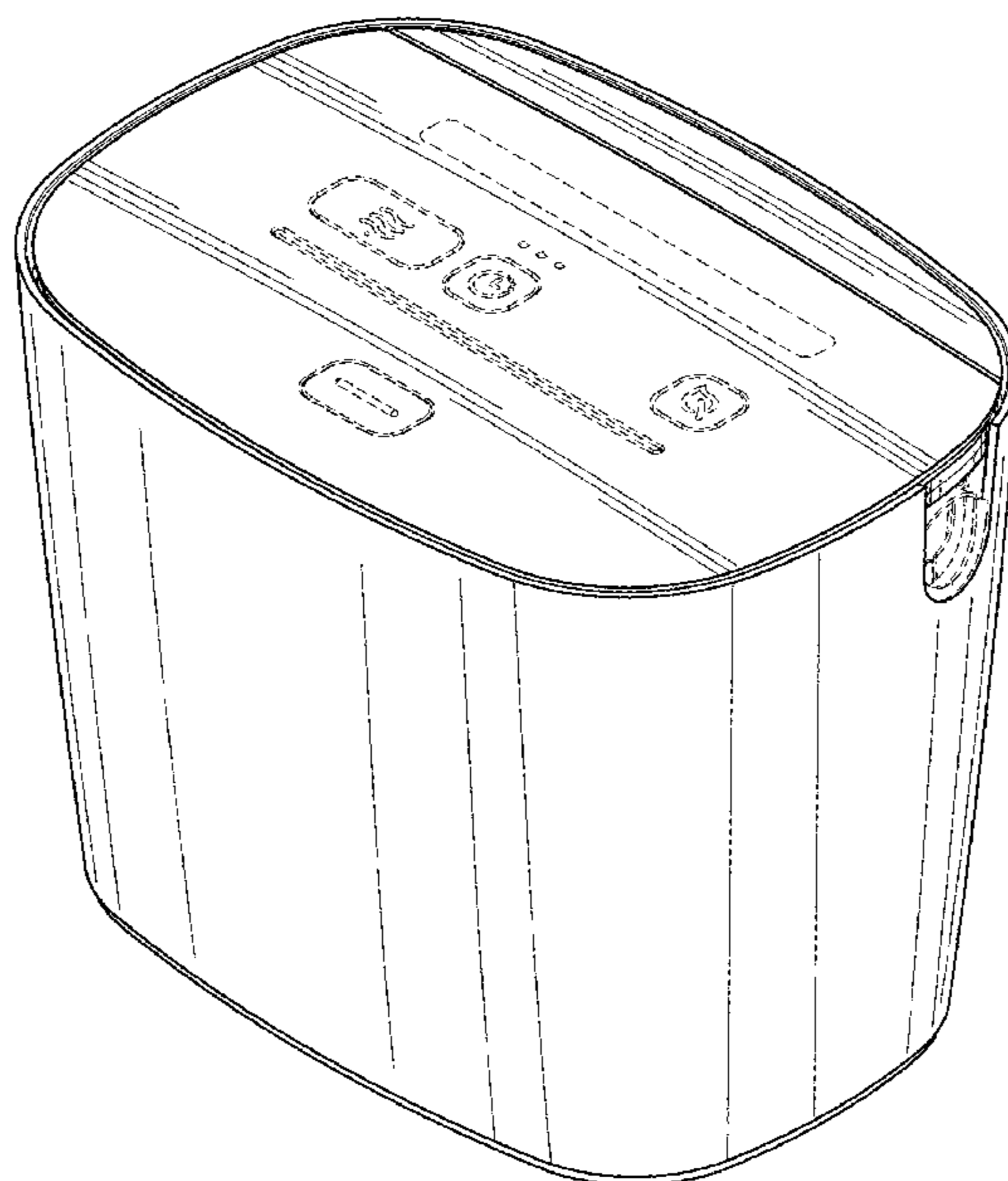
The ornamental design for a sanitizing machine, as shown and described.

DESCRIPTION

FIG. 1 is a front top right perspective view of a sanitizing machine, showing the new design;
FIG. 2 is a front top left perspective view thereof;
FIG. 3 is a rear top right perspective view thereof;
FIG. 4 is a rear top left perspective view thereof;
FIG. 5 is a front bottom right perspective view thereof;
FIG. 6 is a front bottom left perspective view thereof;
FIG. 7 is a rear bottom right perspective view thereof;
FIG. 8 is a rear bottom left perspective view thereof;
FIG. 9 is a front view thereof;
FIG. 10 is a back view thereof;
FIG. 11 is a right side view thereof;
FIG. 12 is a left side view thereof;
FIG. 13 is a top view thereof; and,
FIG. 14 is a bottom view thereof.

The broken lines in the figures show portions of the sanitizing machine that form no part of the claimed design.

1 Claim, 14 Drawing Sheets



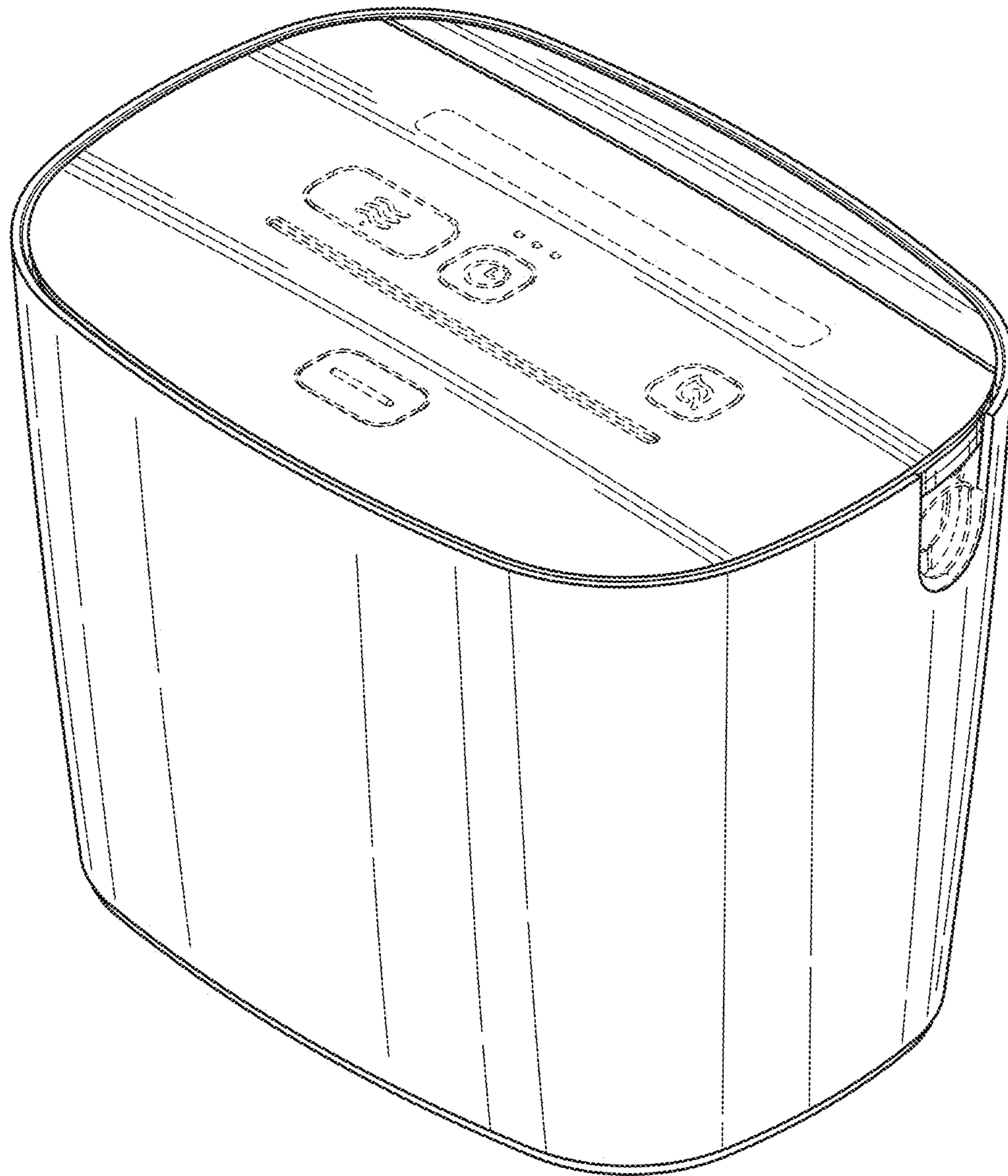


FIG. 1

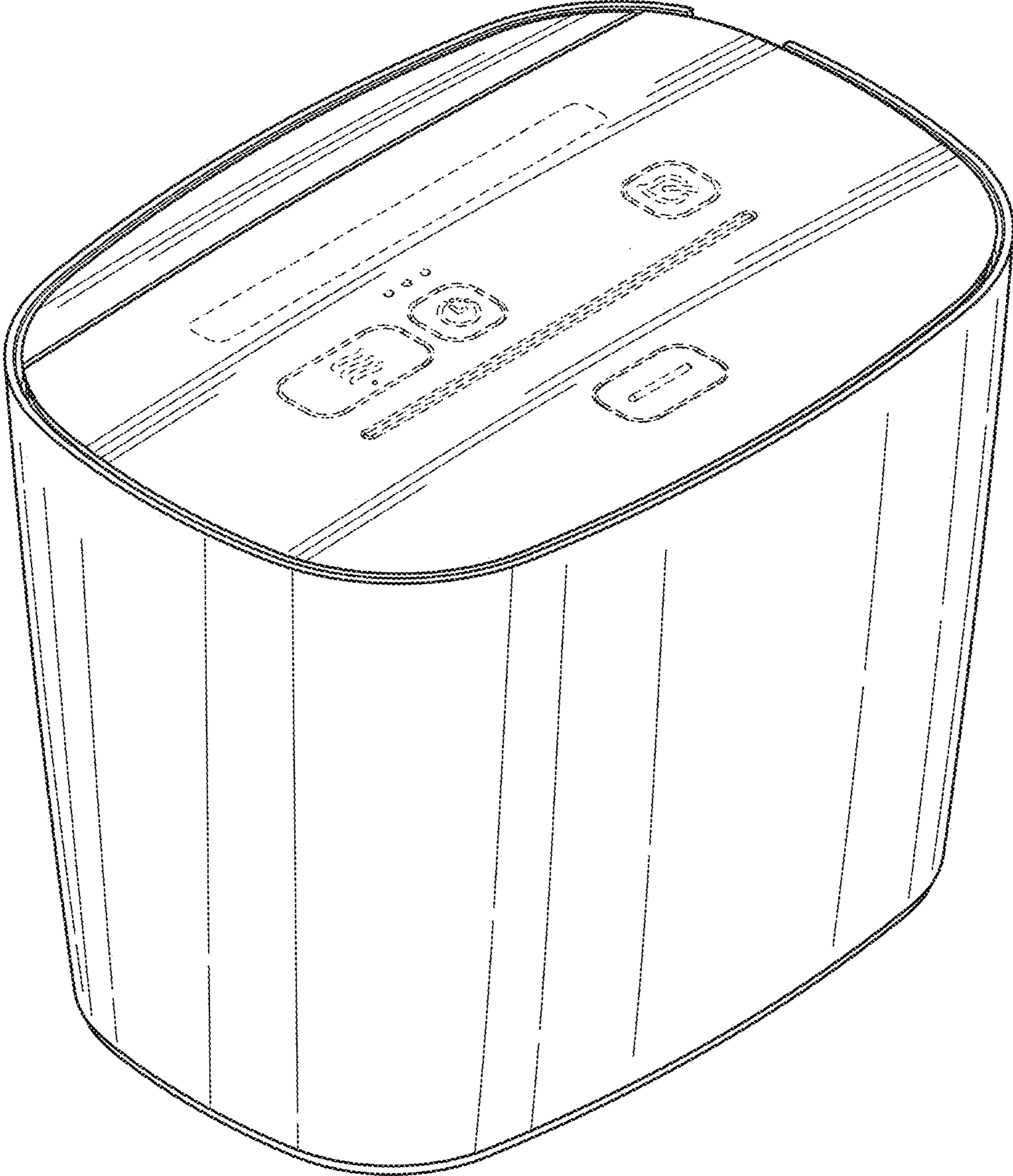


FIG. 2

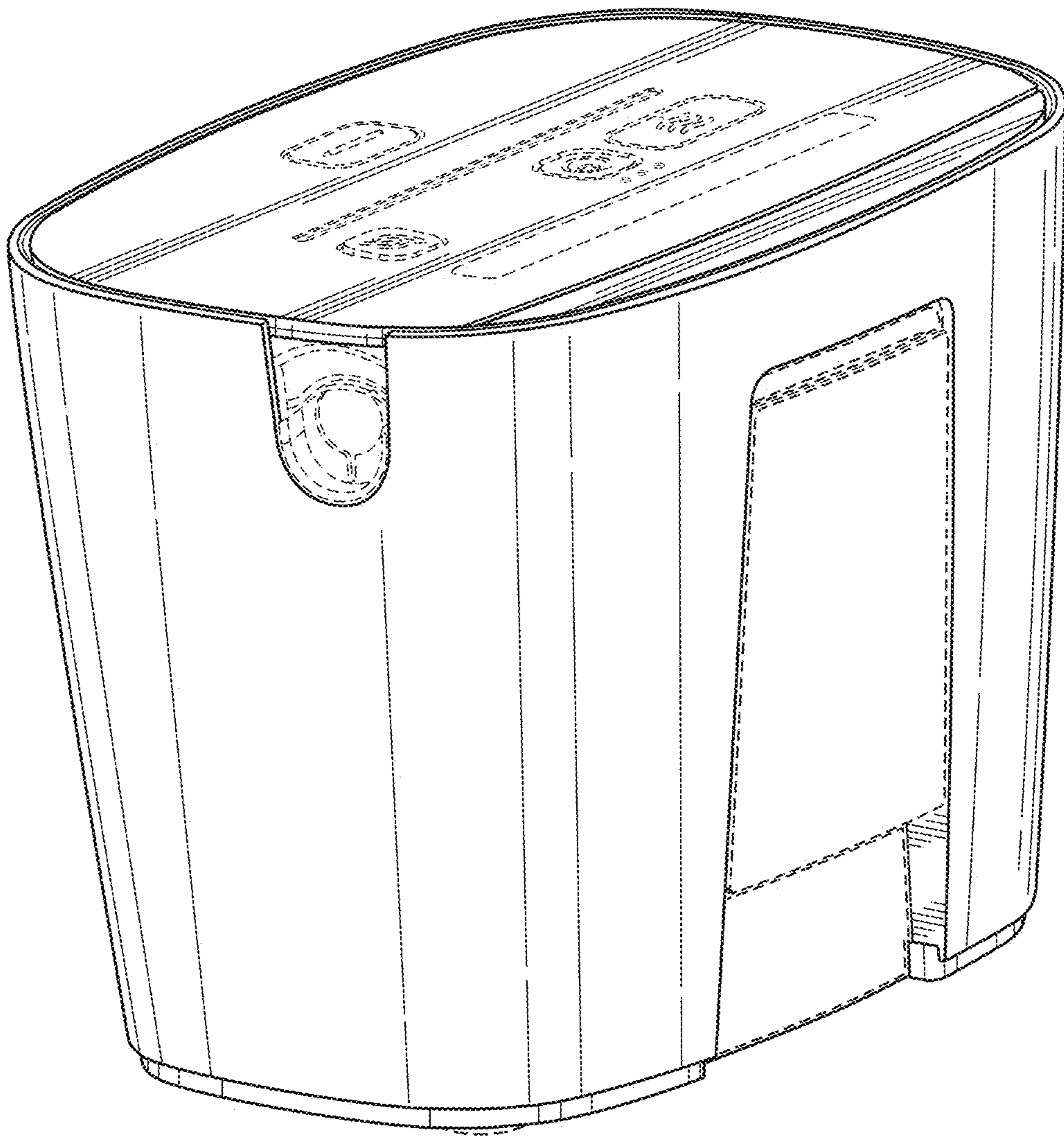


FIG. 3

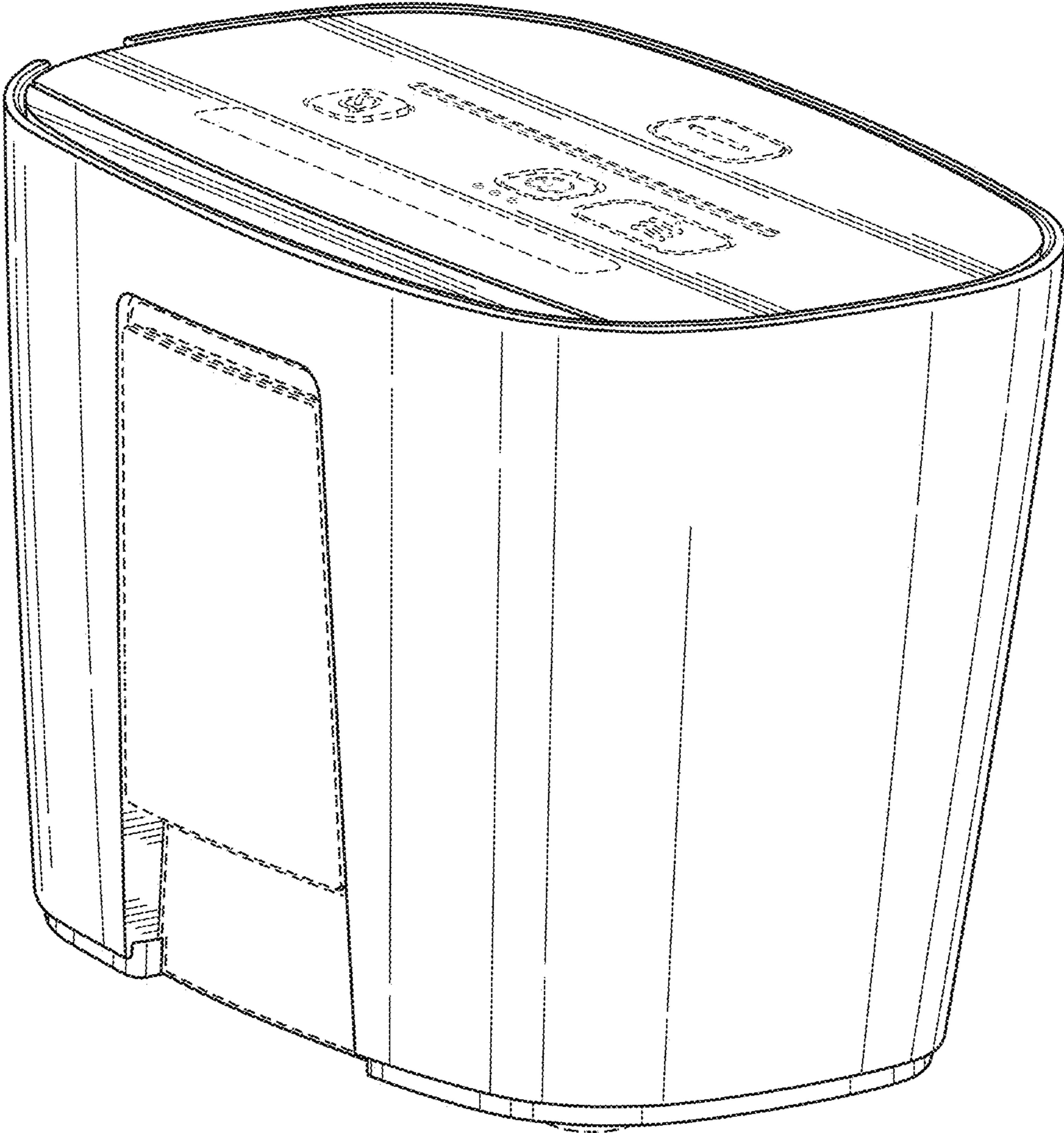


FIG. 4

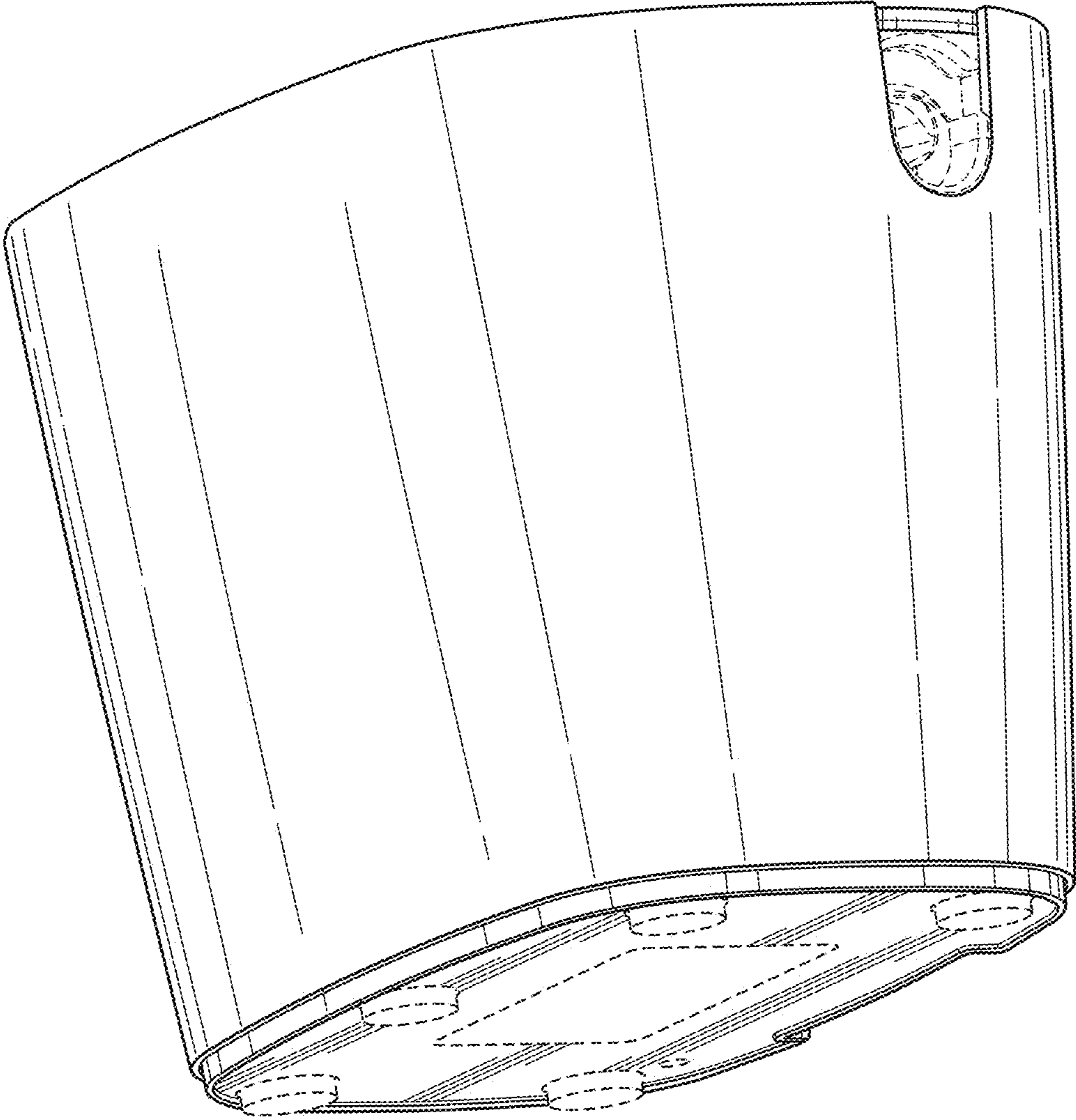


FIG. 5

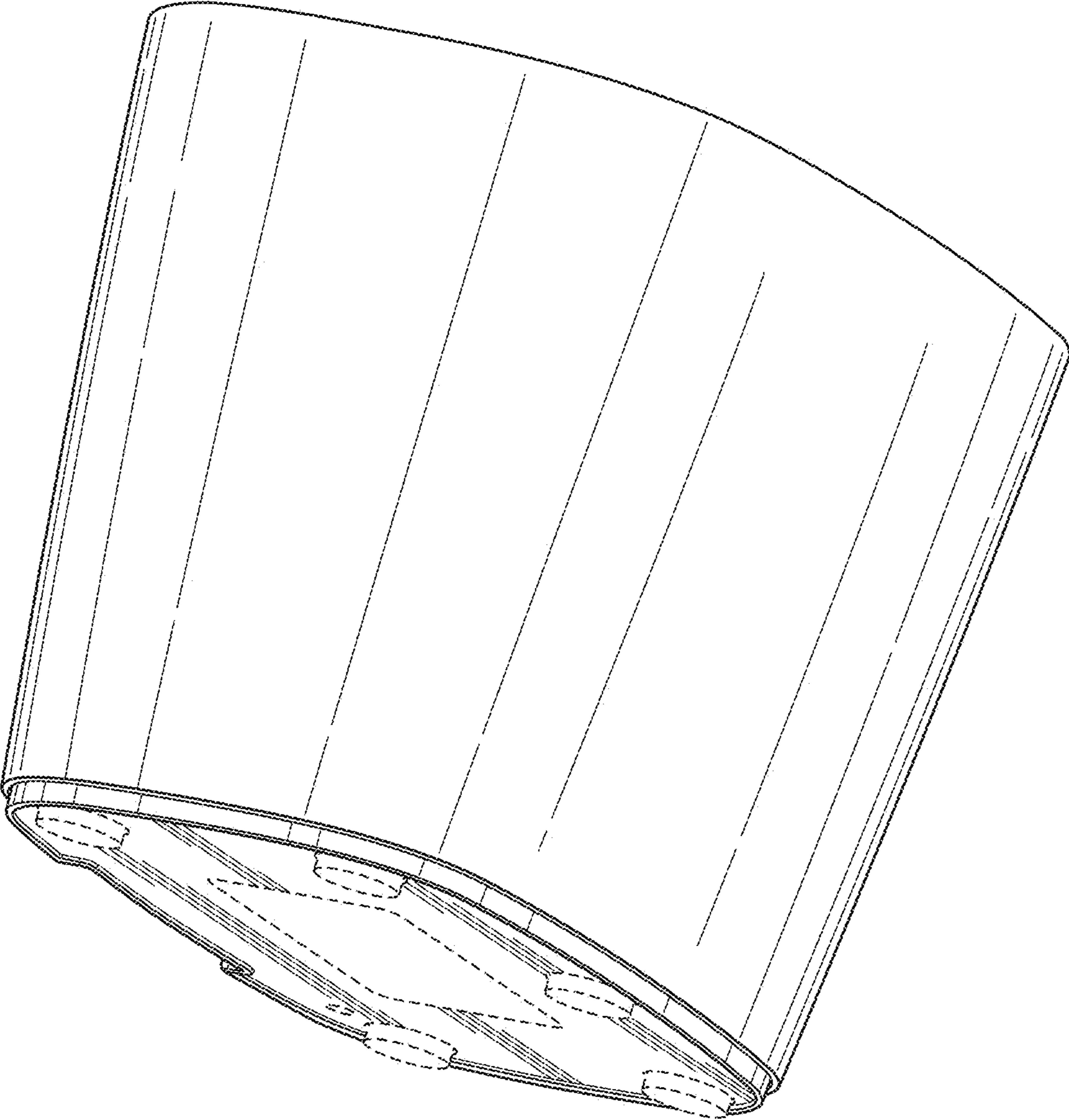


FIG. 6

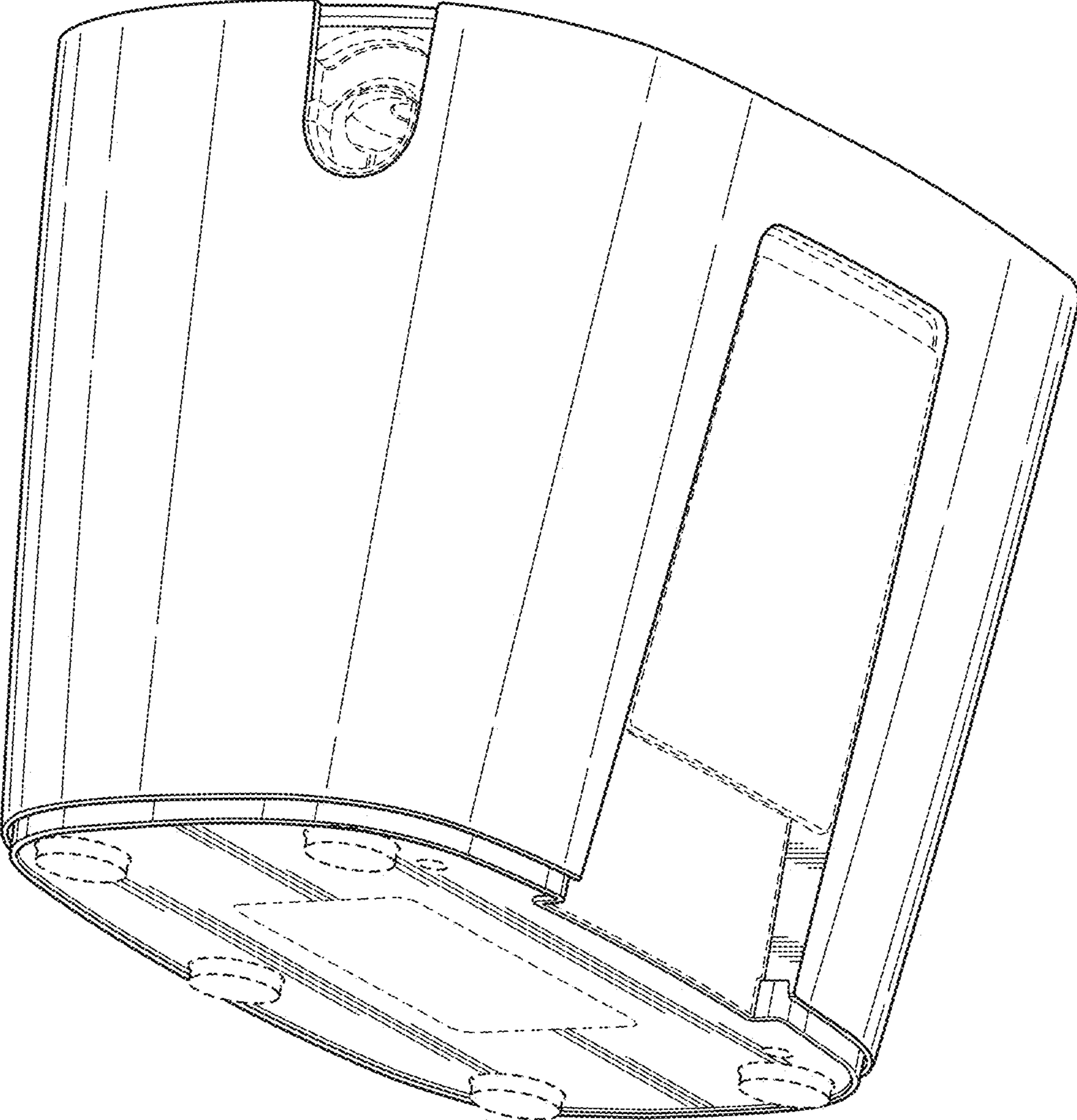


FIG. 7

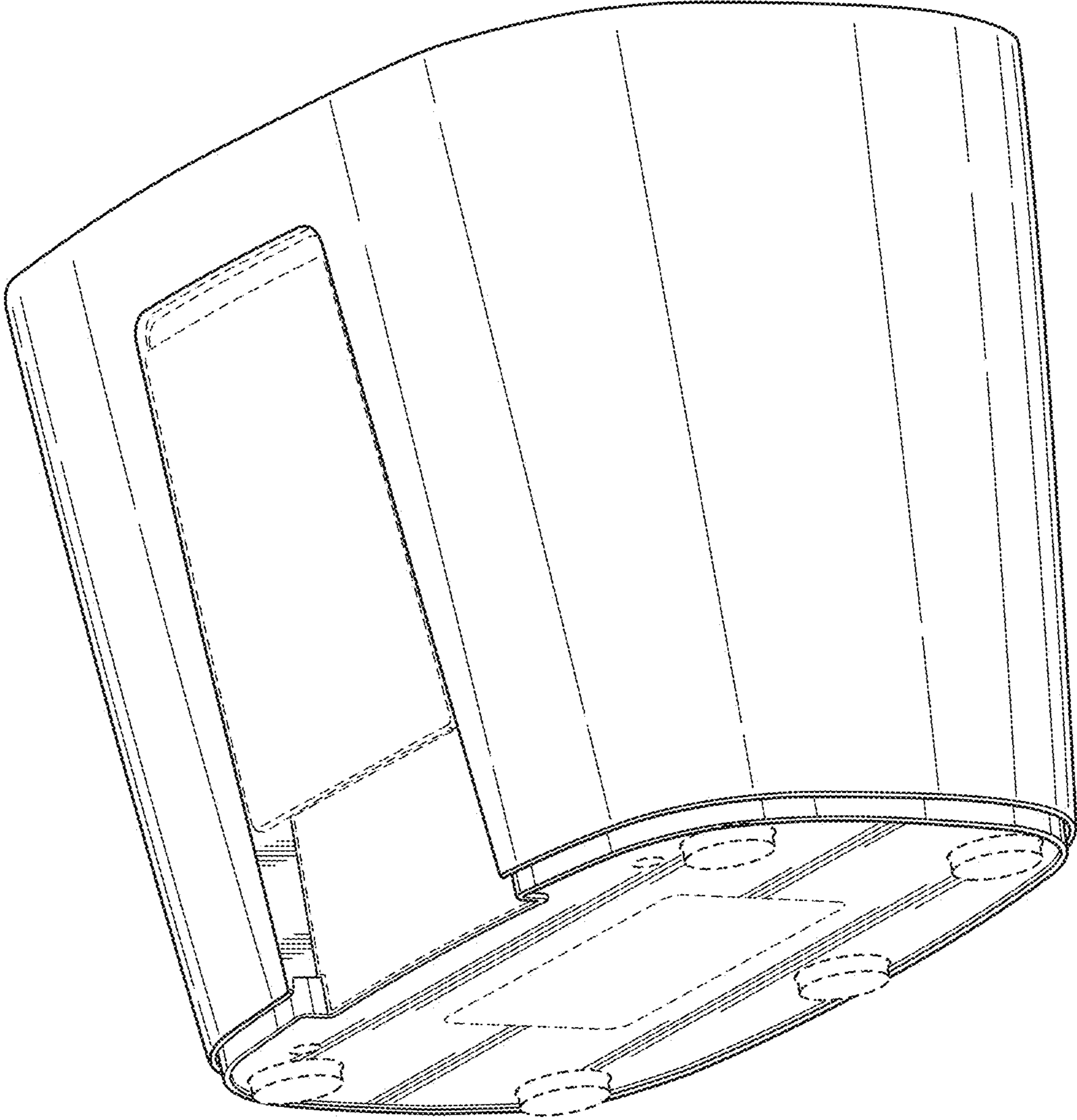


FIG. 8

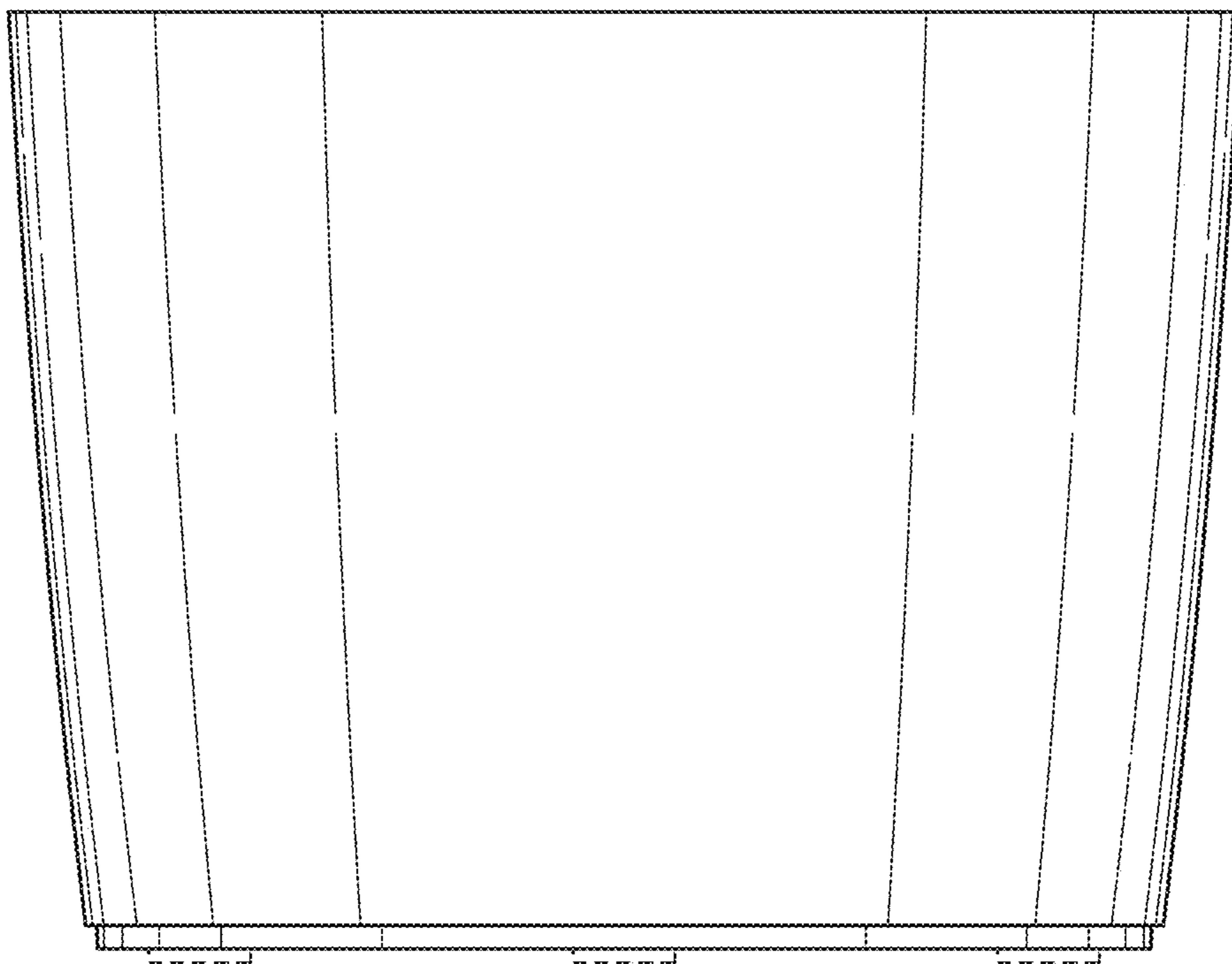


FIG. 9

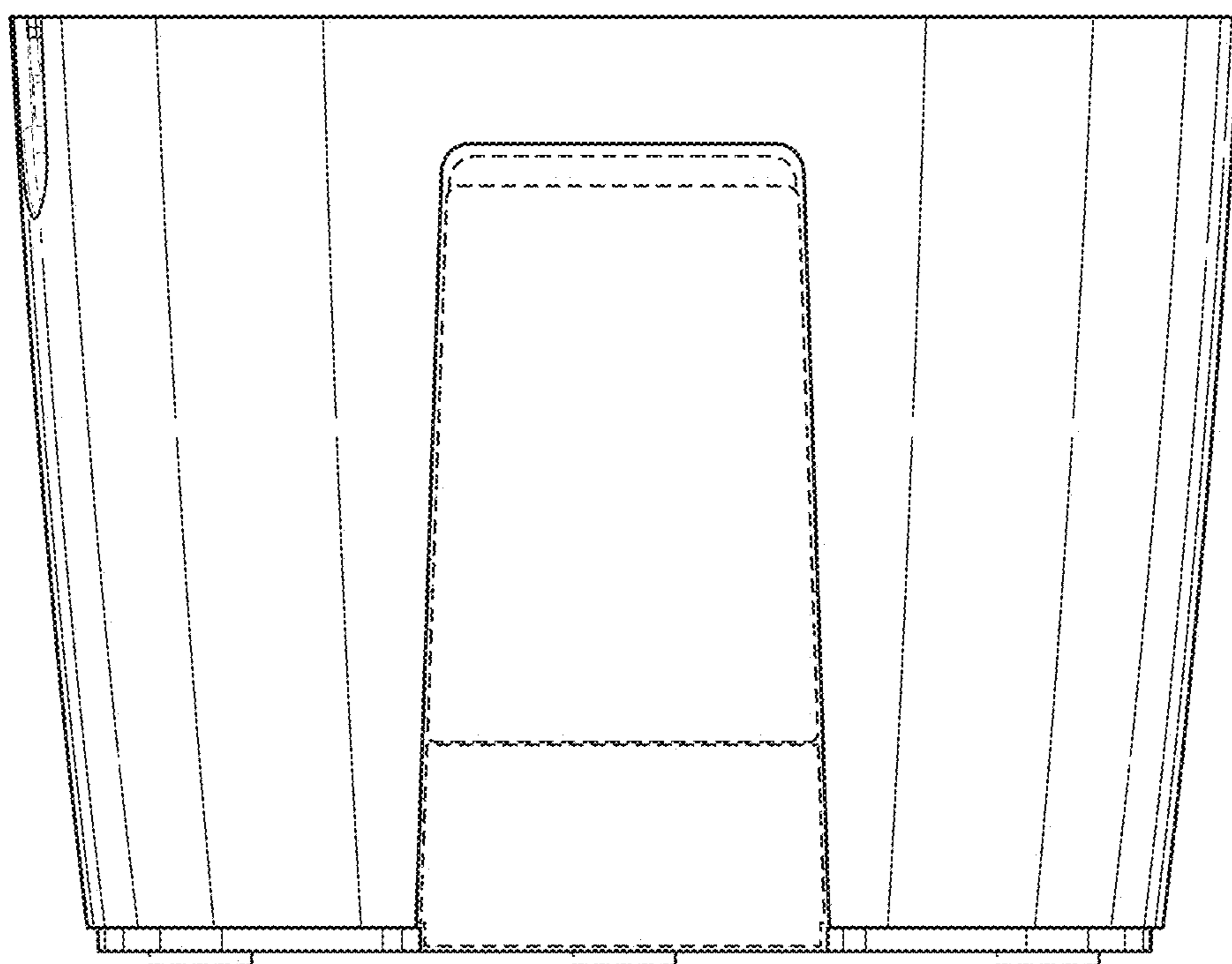


FIG. 10

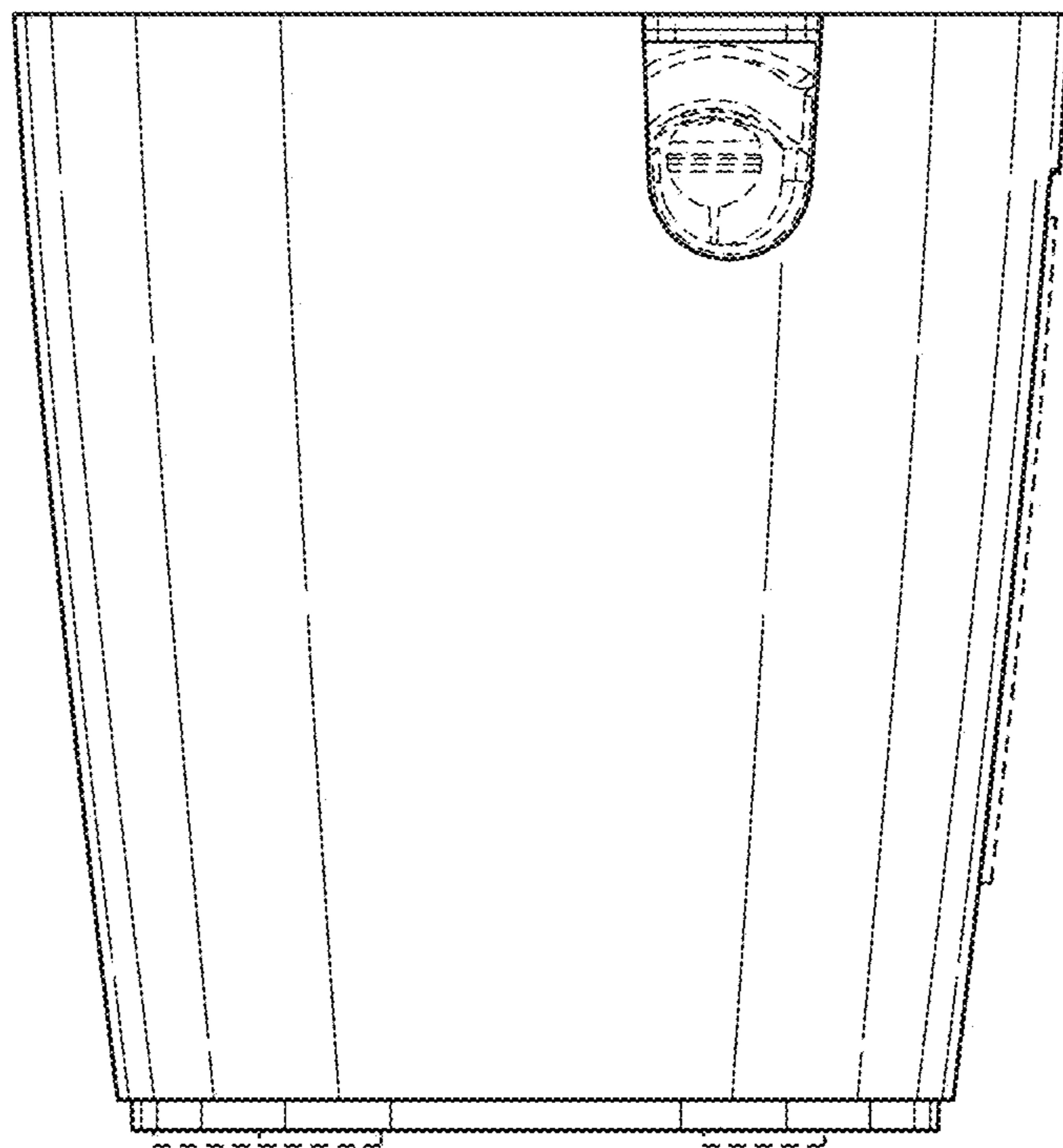


FIG. 11

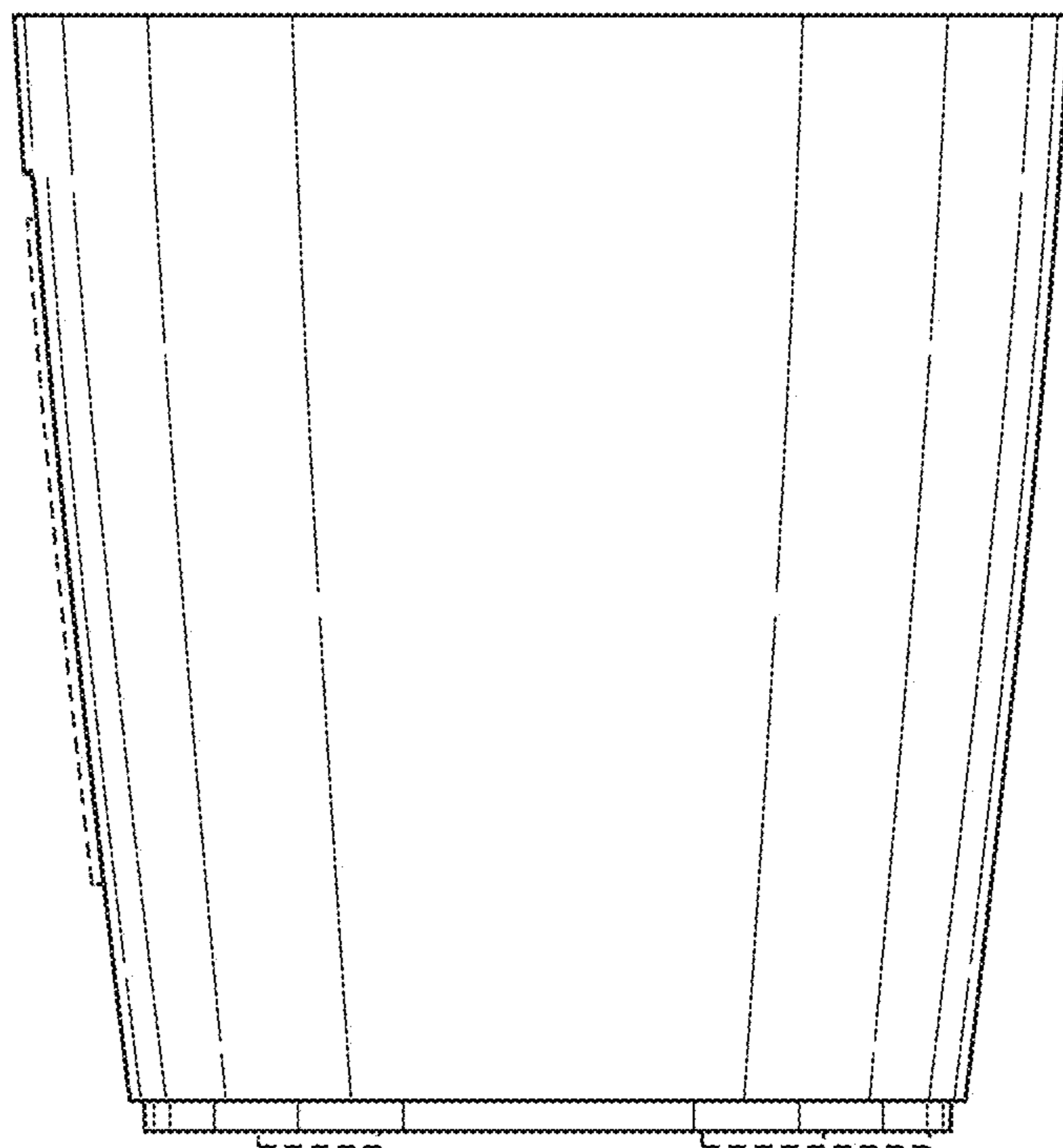


FIG. 12

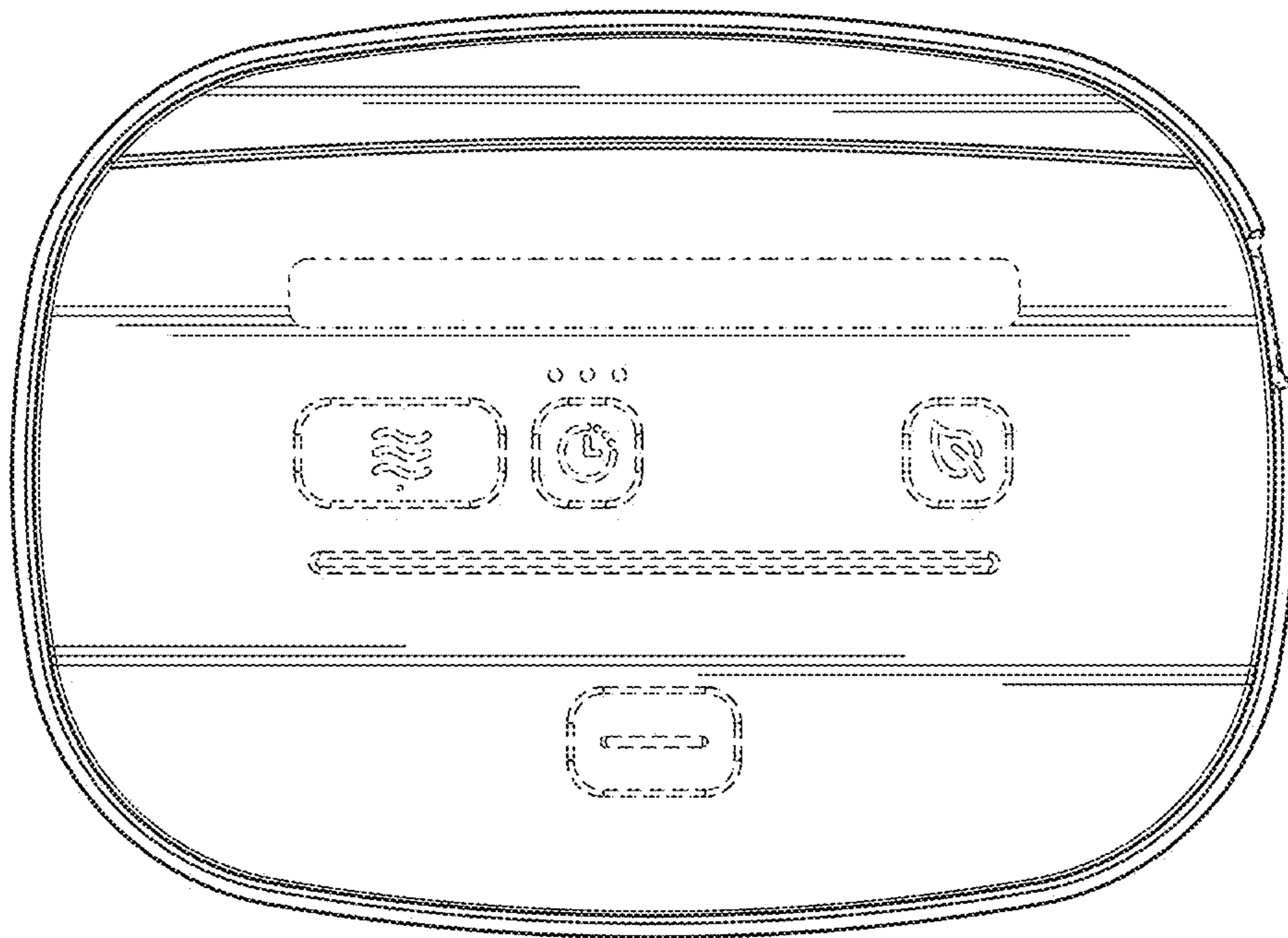


FIG. 13

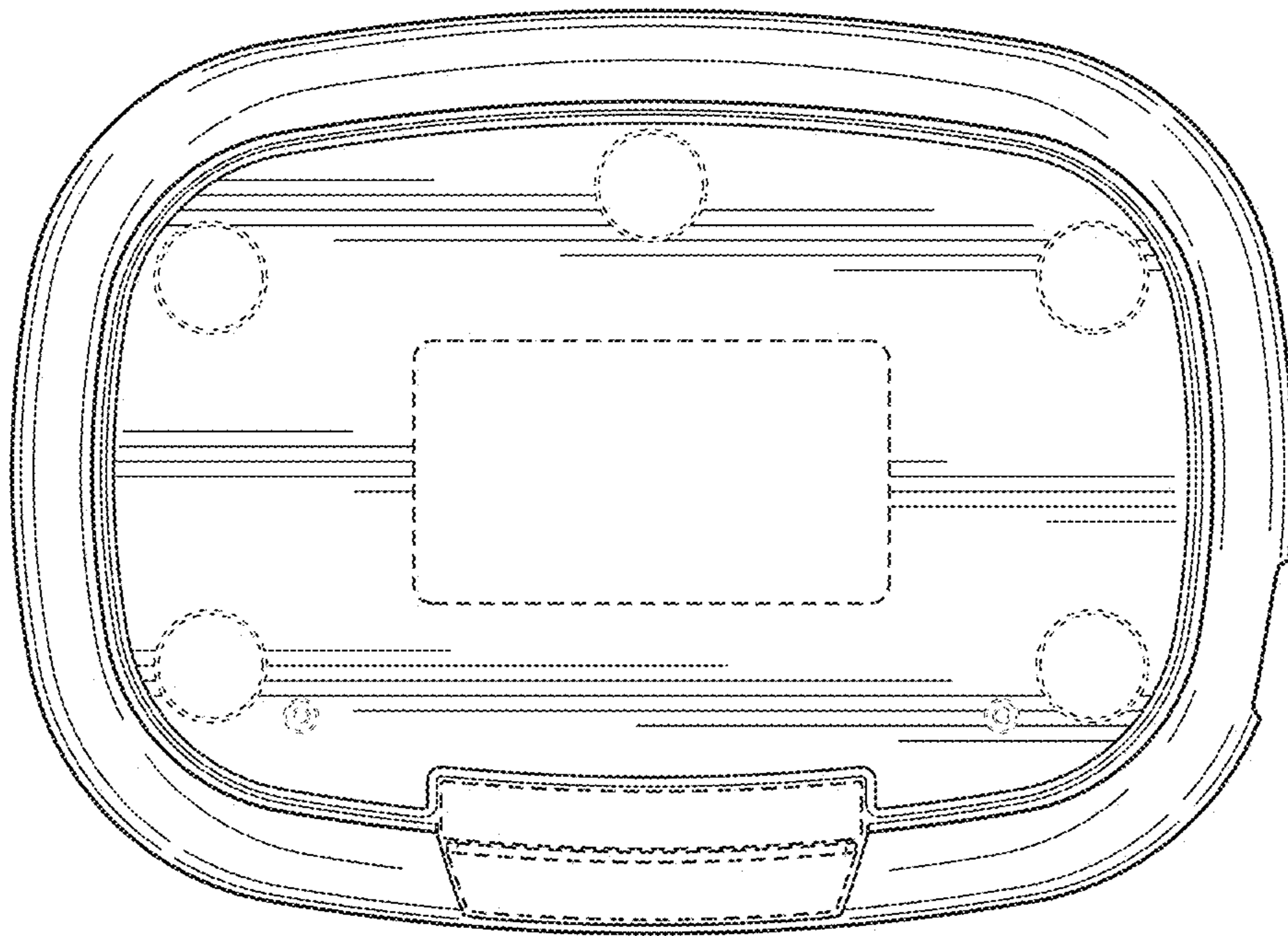


FIG. 14