



US00D889680S

(12) **United States Design Patent** (10) **Patent No.:** **US D889,680 S**
Barere et al. (45) **Date of Patent:** **** Jul. 7, 2020**

(54) **CANISTER-TYPE DEVICE FOR TISSUE PROCESSING**

FOREIGN PATENT DOCUMENTS

(71) Applicant: **LifeCell Corporation**, Madison, NJ (US)

EP 0512769 A2 11/1992
JP 2009-189282 A 8/2009
(Continued)

(72) Inventors: **Aaron Barere**, Hoboken, NJ (US);
Evan J. Friedman, West Orange, NJ (US); **Brendan P. Collins**, Manchester, NH (US); **Derek Hugger**, Goffstown, NH (US); **Christopher Labak**, Brookline, NH (US); **Scott Woodruff**, Chicago, IL (US)

OTHER PUBLICATIONS

U.S. Appl. No. 29/592,336, filed Jan. 30, 2017.
LifeCell Corporation, USA Revolve™ System—Materials. Instructions for use. 2 pages (2014).

(73) Assignee: **LifeCell Corporation**, Madison, NJ (US)

Primary Examiner — Anhdao Doan
Assistant Examiner — Mary Shannon Malley
(74) *Attorney, Agent, or Firm* — McCarter & English, LLP

(*) Notice: This patent is subject to a terminal disclaimer.

(**) Term: **15 Years**

(57) **CLAIM**

(21) Appl. No.: **29/688,879**

The ornamental design for a canister-type device for tissue processing, as shown and described.

(22) Filed: **Apr. 25, 2019**

Related U.S. Application Data

DESCRIPTION

(63) Continuation of application No. 29/592,336, filed on Jan. 30, 2017, now Pat. No. Des. 851,777.

(51) **LOC (12) Cl.** **24-01**

(52) **U.S. Cl.**
USPC **D24/216; D24/224**

(58) **Field of Classification Search**
USPC D24/133, 216, 217, 220, 221, 224, 226, D24/231, 232; D7/372, 376, 377, 378, D7/679, 682

(Continued)

The file of this patent contains at least one drawing executed in color. Copies of this patent with color drawings will be provided by the Office upon request and payment of the necessary fee.

FIG. 1 is a perspective view of a canister-type device for tissue processing.

FIG. 2 is a front elevational view thereof.

FIG. 3 is a rear elevational view thereof.

FIG. 4 is a right side elevational view thereof.

FIG. 5 is a left side elevational view thereof.

FIG. 6 is a top view thereof; and,

FIG. 7 is a bottom view thereof.

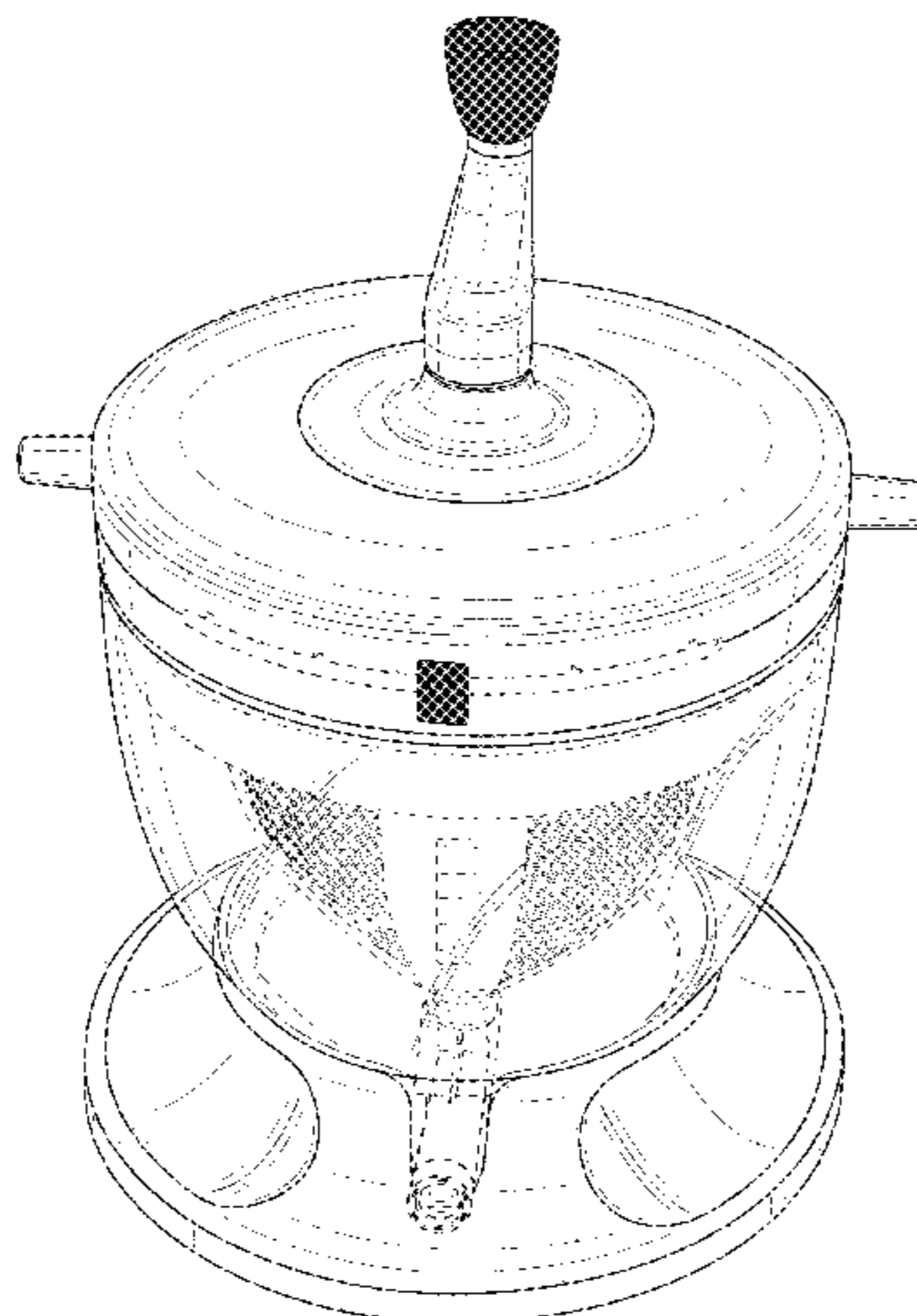
The broken lines show portions of the canister-type device for tissue processing that form no part of the claimed design.

(56) **References Cited**

U.S. PATENT DOCUMENTS

3,854,704 A 12/1974 Balas
4,438,032 A 3/1984 Golde et al.
(Continued)

1 Claim, 7 Drawing Sheets
(6 of 7 Drawing Sheet(s) Filed in Color)



(58) **Field of Classification Search**
 CPC .. A61M 2202/08; C12M 47/04; C12M 45/02;
 C12M 45/05; B65D 25/108
 See application file for complete search history.

(56) **References Cited**

U.S. PATENT DOCUMENTS

4,820,626	A	4/1989	Williams et al.
5,035,708	A	7/1991	Alchas et al.
5,226,914	A	7/1993	Caplan et al.
5,330,914	A	7/1994	Uhlen et al.
5,336,616	A	8/1994	Livesey et al.
5,372,945	A	12/1994	Alchas et al.
5,409,833	A	4/1995	Hu et al.
D360,698	S *	7/1995	Stevens D24/224
5,486,359	A	1/1996	Caplan et al.
5,586,732	A	12/1996	Yamauchi et al.
5,591,625	A	1/1997	Gerson et al.
5,610,074	A	3/1997	Beritashvili et al.
5,624,840	A	4/1997	Naughton et al.
5,688,531	A	11/1997	Benayahu et al.
5,728,739	A	3/1998	Ailhaud et al.
5,736,396	A	4/1998	Bruder et al.
5,786,207	A	7/1998	Katz et al.
5,811,094	A	9/1998	Caplan et al.
5,817,050	A	10/1998	Klein
5,827,735	A	10/1998	Young et al.
5,827,740	A	10/1998	Pittenger
5,827,897	A	10/1998	Ailhaud et al.
5,854,292	A	12/1998	Ailhaud et al.
5,906,934	A	5/1999	Grande et al.
5,908,784	A	6/1999	Johnstone et al.
5,937,863	A	8/1999	Knowlton
5,968,356	A	10/1999	Morsiani et al.
D426,744	S *	6/2000	Wong D7/384
6,200,606	B1	3/2001	Peterson et al.
6,261,549	B1	7/2001	Fernandez et al.
6,316,247	B1	11/2001	Katz et al.
6,391,297	B1	5/2002	Halvorsen
6,429,013	B1	8/2002	Halvorsen et al.
6,478,966	B2	11/2002	Zhou et al.
6,544,788	B2	4/2003	Singh
6,555,374	B1	4/2003	Gimble et al.
6,777,231	B1	8/2004	Katz et al.
6,841,150	B2	1/2005	Halvorsen et al.
6,852,533	B1	2/2005	Rafii et al.
7,001,746	B1	2/2006	Halvorsen et al.
7,033,587	B2	4/2006	Halvorsen et al.
7,078,230	B2	7/2006	Wilkison et al.
7,078,232	B2	7/2006	Konkle et al.
7,179,649	B2	2/2007	Halvorsen
7,266,457	B1	9/2007	Hickman
7,294,334	B1	11/2007	Michal et al.
7,361,368	B2	4/2008	Claude et al.
7,390,484	B2	6/2008	Fraser et al.
7,429,488	B2	9/2008	Fraser et al.
7,470,537	B2	12/2008	Hedrick et al.
7,473,420	B2	1/2009	Fraser et al.
7,501,115	B2	3/2009	Fraser et al.
7,514,075	B2	4/2009	Hedrick et al.
7,531,355	B2	5/2009	Rodriguez et al.
7,572,236	B2	8/2009	Quick et al.
7,582,292	B2	9/2009	Wilkison et al.
7,585,670	B2	9/2009	Hedrick et al.
7,595,043	B2	9/2009	Hedrick et al.

7,622,108	B2	11/2009	Collins et al.
7,641,643	B2	1/2010	Michal et al.
7,651,684	B2	1/2010	Hedrick et al.
7,659,118	B2	2/2010	Furcht et al.
7,670,596	B2	3/2010	Collins et al.
7,687,059	B2	3/2010	Fraser et al.
7,708,152	B2	5/2010	Dorian et al.
D618,819	S *	6/2010	Wilkinson D24/226
7,727,763	B2	6/2010	McKenna, Jr. et al.
7,732,190	B2	6/2010	Michal et al.
7,744,869	B2	6/2010	Simon
7,749,741	B2	7/2010	Bullen et al.
7,771,716	B2	8/2010	Hedrick et al.
7,780,649	B2	8/2010	Shippert
7,780,860	B2	8/2010	Higgins et al.
7,789,872	B2	9/2010	Shippert
7,794,449	B2	9/2010	Shippert
7,887,795	B2	2/2011	Fraser et al.
7,901,672	B2	3/2011	Fraser et al.
D660,453	S *	5/2012	Jani D24/220
8,840,614	B2 *	9/2014	Mikhail A61F 2/2803 606/86 R
9,206,387	B2	12/2015	Llull et al.
9,260,697	B2	2/2016	Cimino et al.
9,296,984	B2	3/2016	Cimino et al.
D799,262	S *	10/2017	Feng D7/384
D851,777	S *	6/2019	Barere D24/216
10,314,955	B2 *	6/2019	Friedman A61M 1/0094
2001/0030152	A1	10/2001	Wright et al.
2001/0033834	A1	10/2001	Wilkison et al.
2002/0076400	A1	6/2002	Katz et al.
2002/0119126	A1	8/2002	Halvorsen
2003/0082152	A1	5/2003	Hedrick et al.
2003/0161817	A1	8/2003	Young et al.
2003/0211602	A1	11/2003	Atala
2004/0067218	A1	4/2004	Casteilla et al.
2004/0097867	A1	5/2004	Fraser et al.
2004/0171146	A1	9/2004	Katz et al.
2005/0048034	A1	3/2005	Fraser et al.
2005/0076396	A1	4/2005	Katz et al.
2005/0153442	A1	7/2005	Katz et al.
2005/0282275	A1	12/2005	Katz et al.
2006/0051865	A1	3/2006	Higgins et al.
2007/0225665	A1	9/2007	Perez-Cruet et al.
2008/0014181	A1	1/2008	Ariff et al.
2008/0050275	A1	2/2008	Bischof et al.
2009/0042267	A1	2/2009	Park
2010/0285521	A1	11/2010	Vossman et al.
2010/0285588	A1	11/2010	Stubbers et al.
2011/0117650	A1	5/2011	Riordan
2012/0003733	A1	1/2012	Gueneron
2012/0214659	A1	8/2012	Do et al.
2015/0118752	A1 *	4/2015	Cimino C12M 45/02 435/379
2016/0030486	A1	2/2016	Cimino et al.
2017/0112981	A1 *	4/2017	Friedman A61M 1/0094

FOREIGN PATENT DOCUMENTS

JP	2011-125813	A	6/2011
JP	2013-507983	A	3/2013
WO	2011/052946	A2	5/2011
WO	2012/006587	A2	1/2012
WO	2013/106655	A1	7/2013
WO	2014/039697	A1	3/2014
WO	2014/110448	A1	7/2014

* cited by examiner

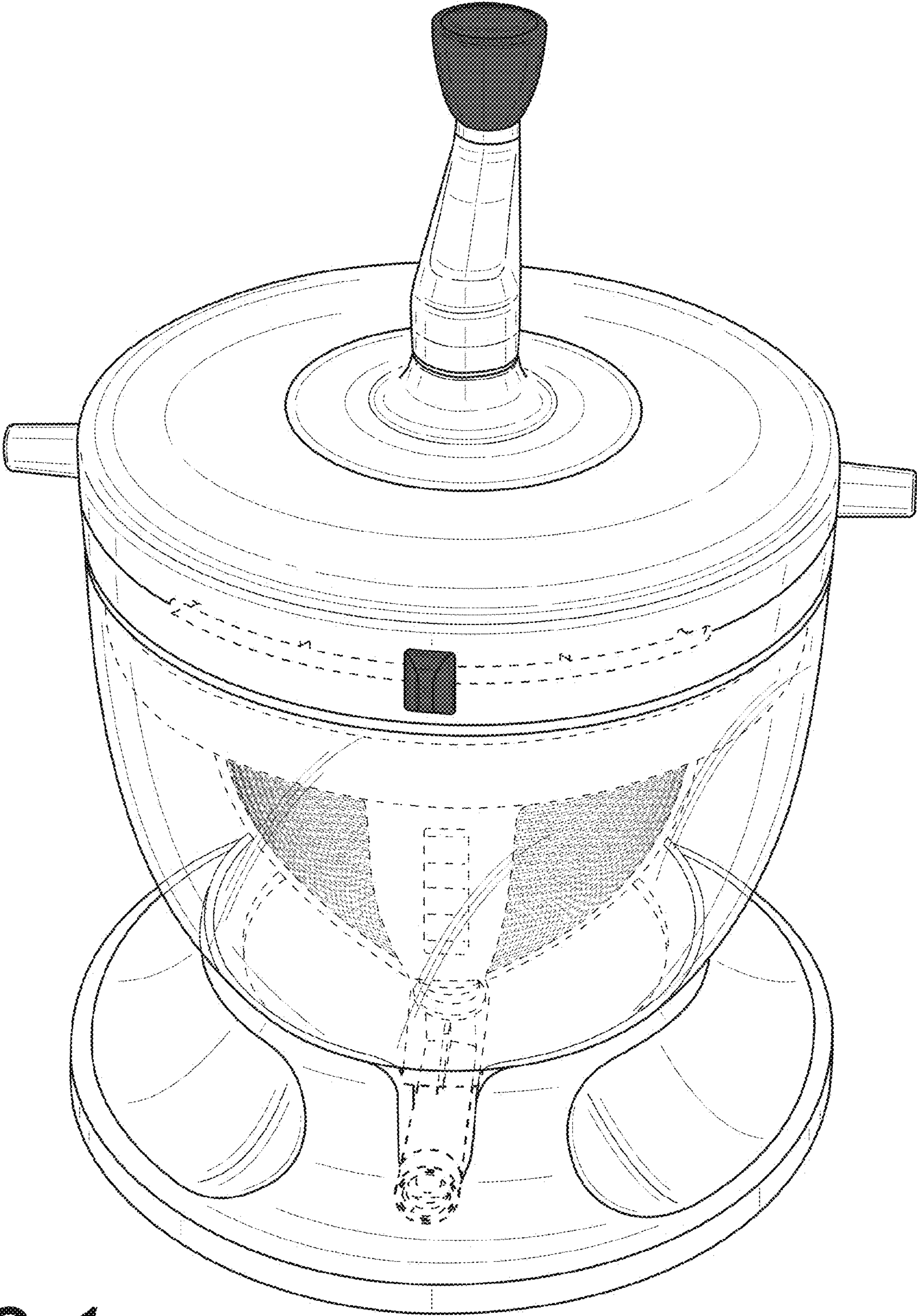


FIG. 1

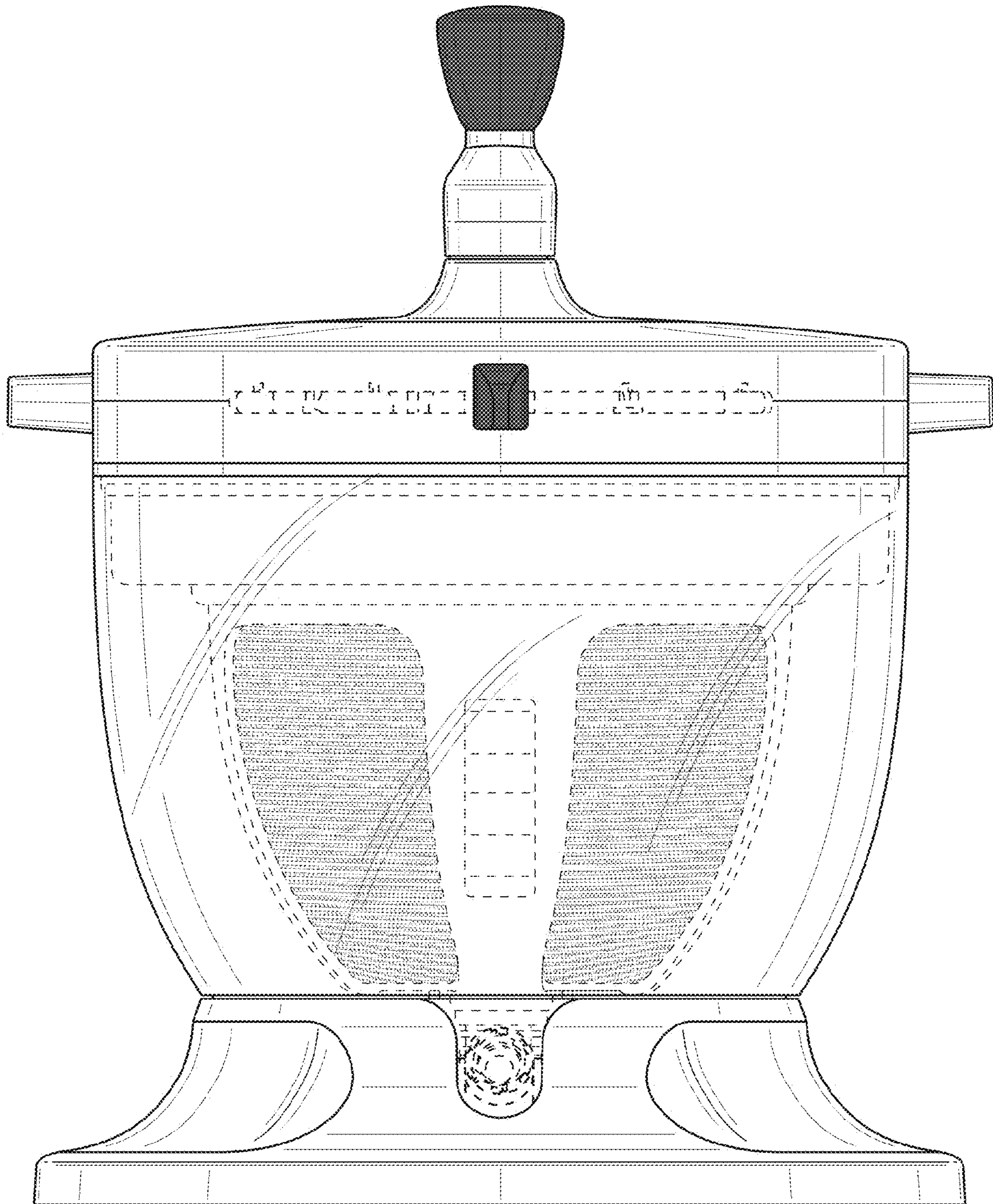


FIG. 2

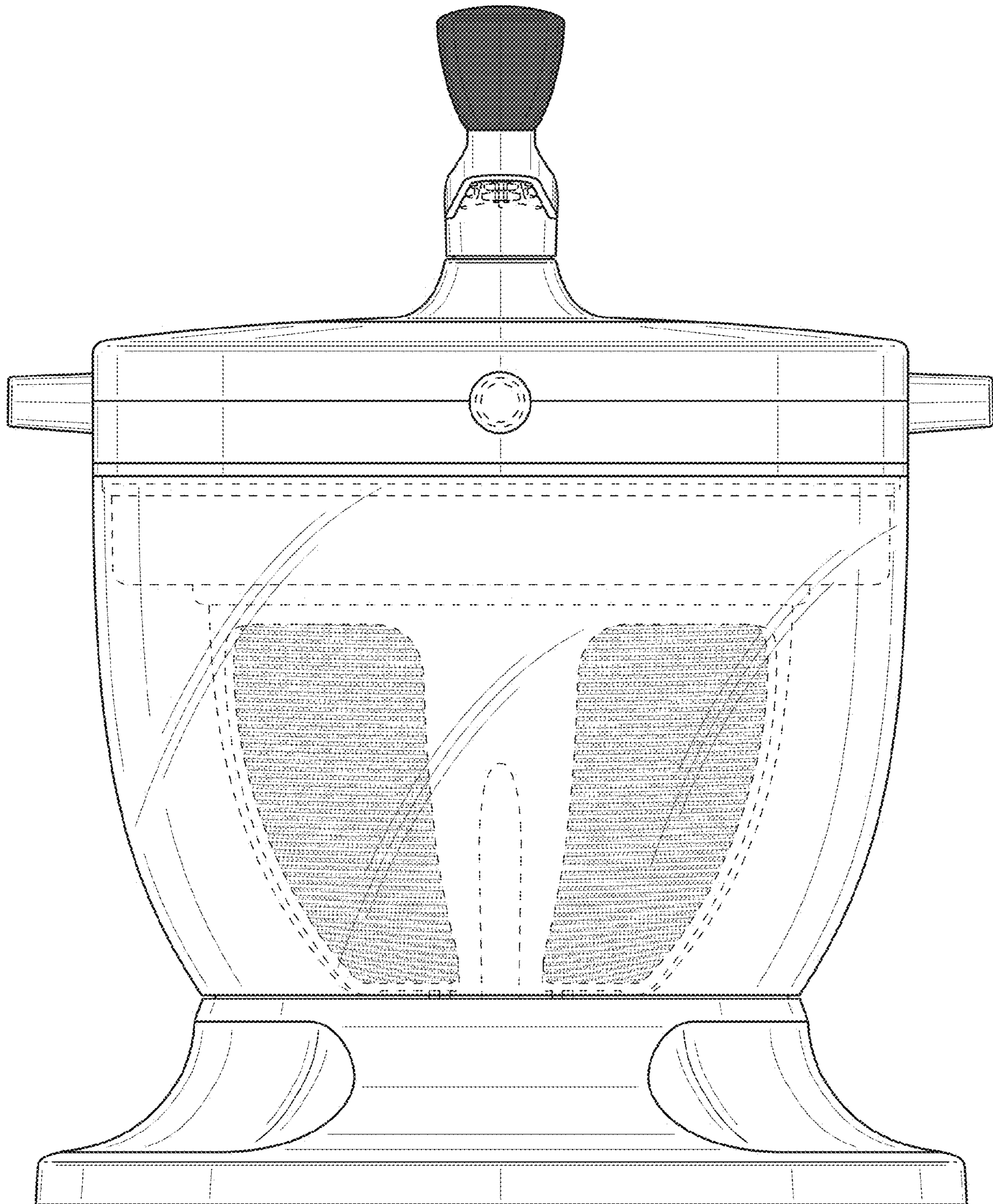


FIG. 3

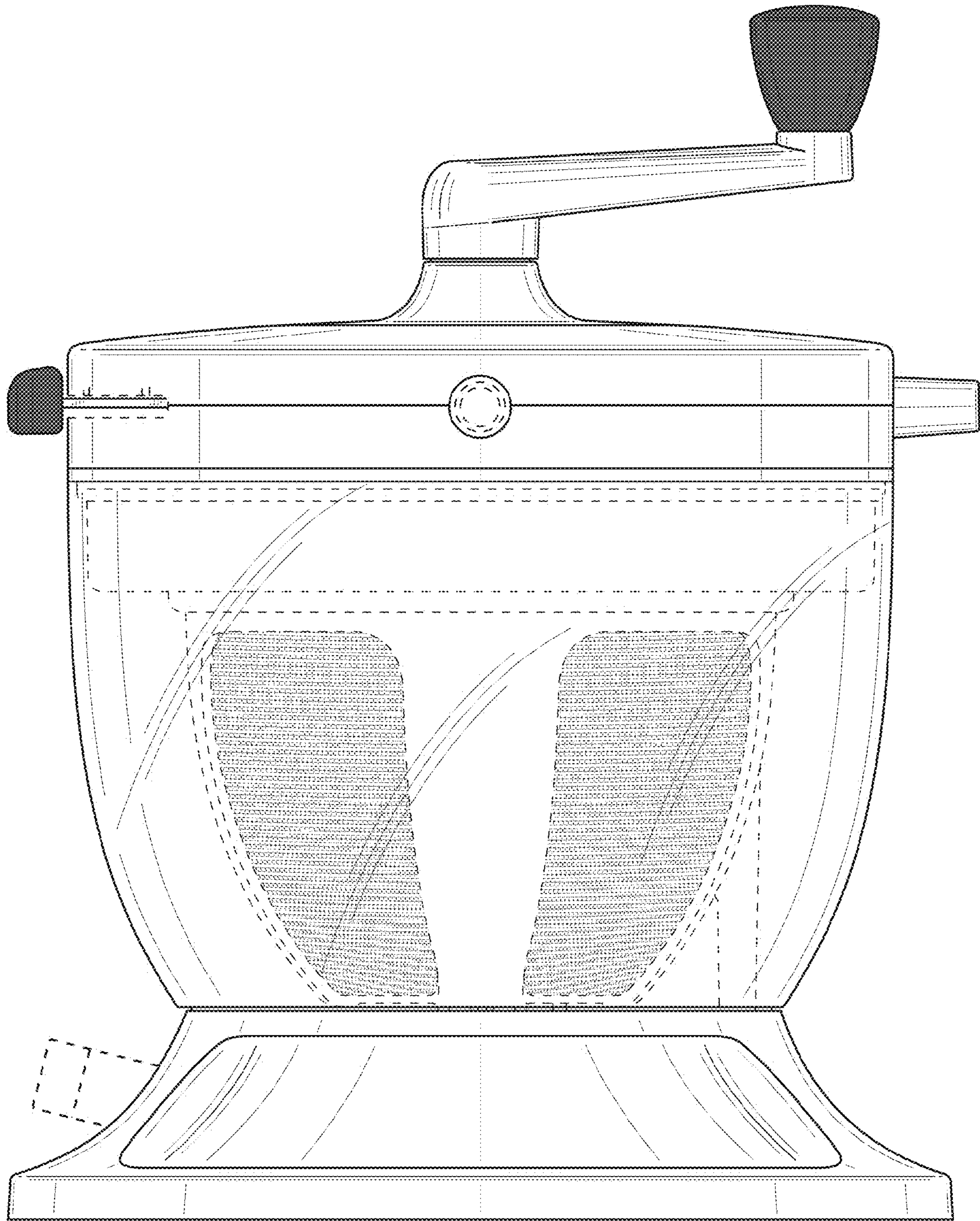


FIG. 4

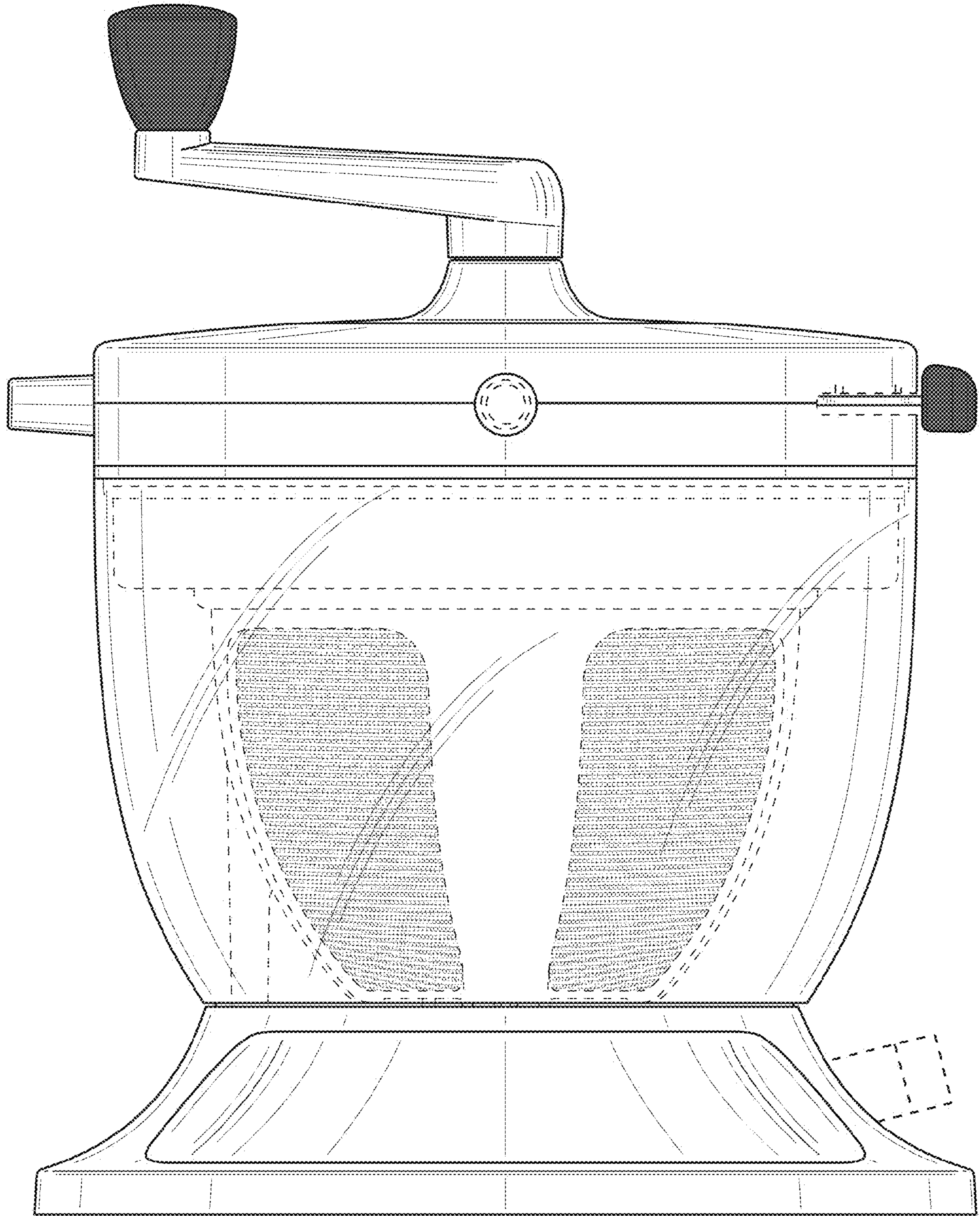


FIG. 5

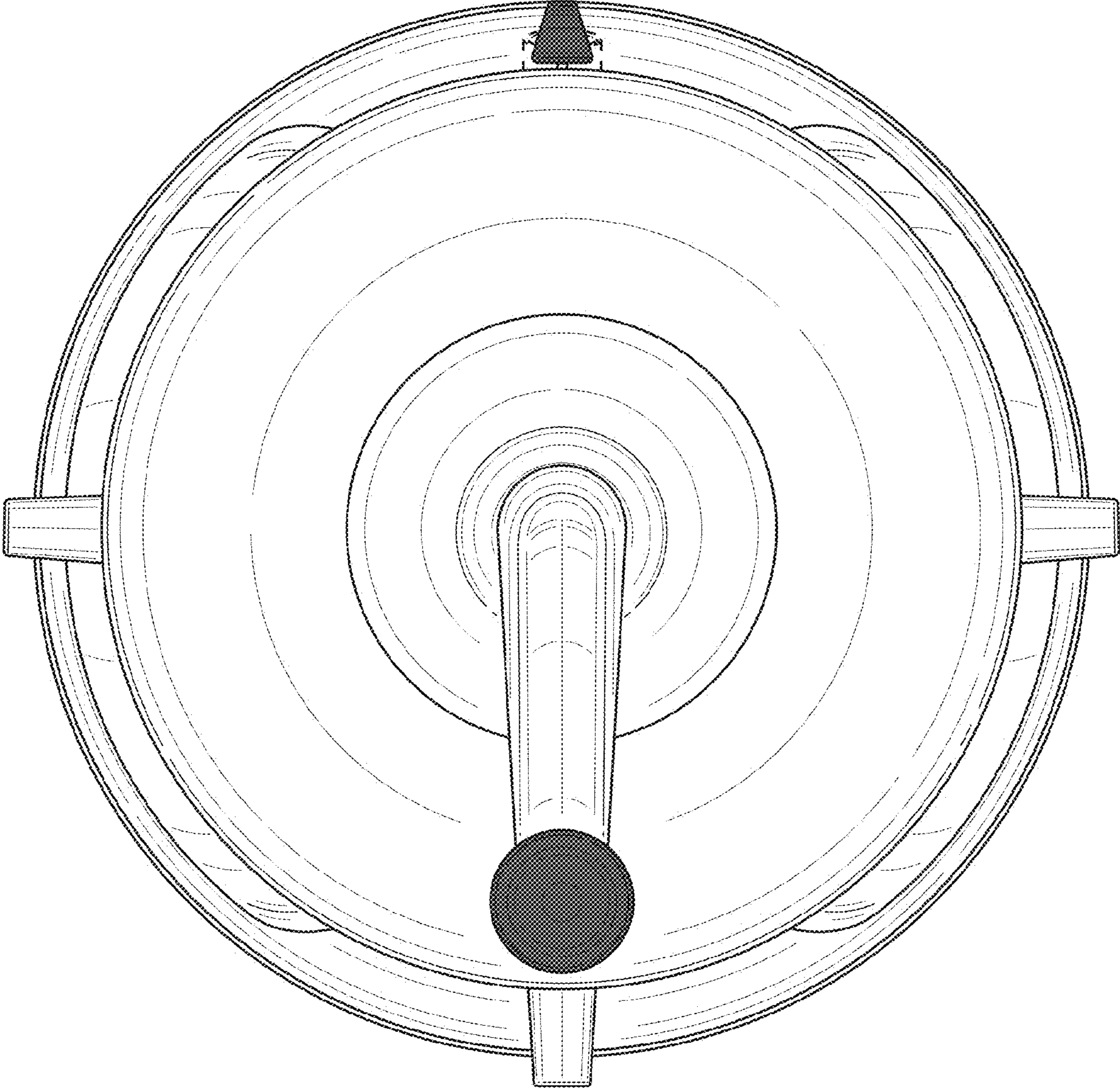


FIG. 6

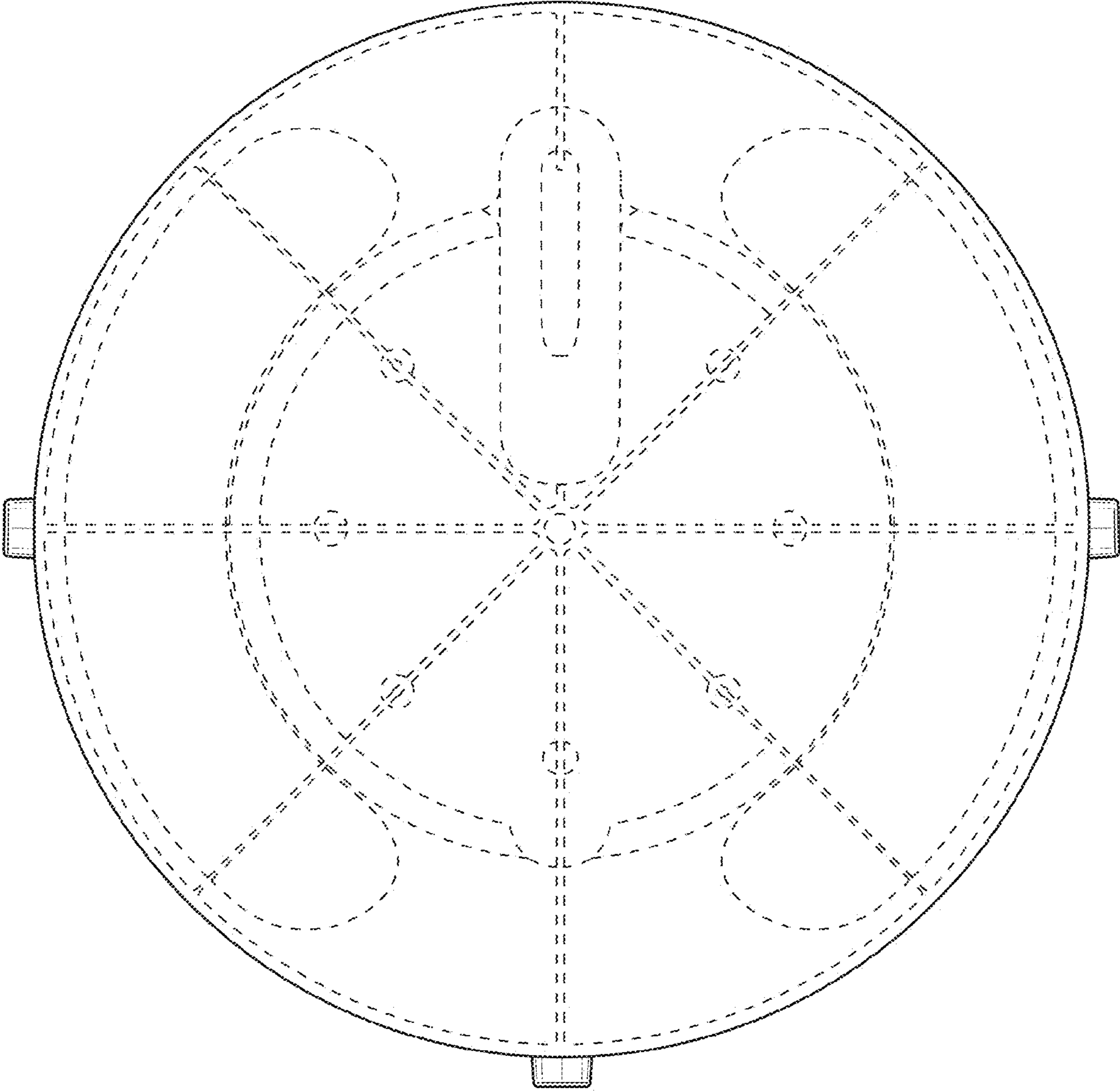


FIG. 7