



US00D889679S

(12) **United States Design Patent** (10) **Patent No.:** **US D889,679 S**
White et al. (45) **Date of Patent:** **** *Jul. 7, 2020**

(54) **CHROMATOGRAPH**

(71) Applicant: **Agilent Technologies, Inc.**, Santa Clara, CA (US)

(72) Inventors: **Richard P. White**, Glen Mills, PA (US); **Robert James Collins**, Downingtown, PA (US); **Rafael Mulero**, Wilmington, DE (US); **Edward D. Mroz**, Newark, DE (US); **Thomas Harrison**, Philadelphia, PA (US); **Manuela Senf**, Waldbronn (DE); **Cathrin Sohns**, Karlsruhe (DE); **Fanny Hauser**, Baden-Württemberg (DE)

(73) Assignee: **Agilent Technologies, Inc.**, Santa Clara, CA (US)

(*) Notice: This patent is subject to a terminal disclaimer.

(**) Term: **15 Years**

(21) Appl. No.: **29/668,869**

(22) Filed: **Nov. 2, 2018**

(51) **LOC (12) Cl.** **24-01**

(52) **U.S. Cl.**
USPC **D24/216**

(58) **Field of Classification Search**
USPC D24/107, 169, 185, 186, 216–219, D24/231–234; D10/81
CPC G01N 2035/00306; G01N 2035/00326; G01N 2035/00336; G01N 2030/027; G01N 21/76; G01N 30/027; G01N 2030/8804; G01N 2030/8809; G01N 2030/8813; G01N 2030/8881
See application file for complete search history.

(56) **References Cited**

U.S. PATENT DOCUMENTS

D364,576 S 11/1995 Glaser
D422,925 S 4/2000 Glaser et al.

D637,931 S	5/2011	Kimura et al.	
D646,398 S	10/2011	Oonuma et al.	
D681,228 S	4/2013	Oonuma et al.	
D692,157 S	10/2013	Matoba et al.	
D693,713 S	11/2013	Noda et al.	
D712,066 S	8/2014	Noda et al.	
D724,753 S	3/2015	Gutmann et al.	
D734,484 S	7/2015	Nishikawa et al.	
D750,989 S	3/2016	Shimizu	
D822,848 S *	7/2018	Lemke	D24/232
D838,198 S *	1/2019	Kimura	D24/216

(Continued)

Primary Examiner — Anhdao Doan

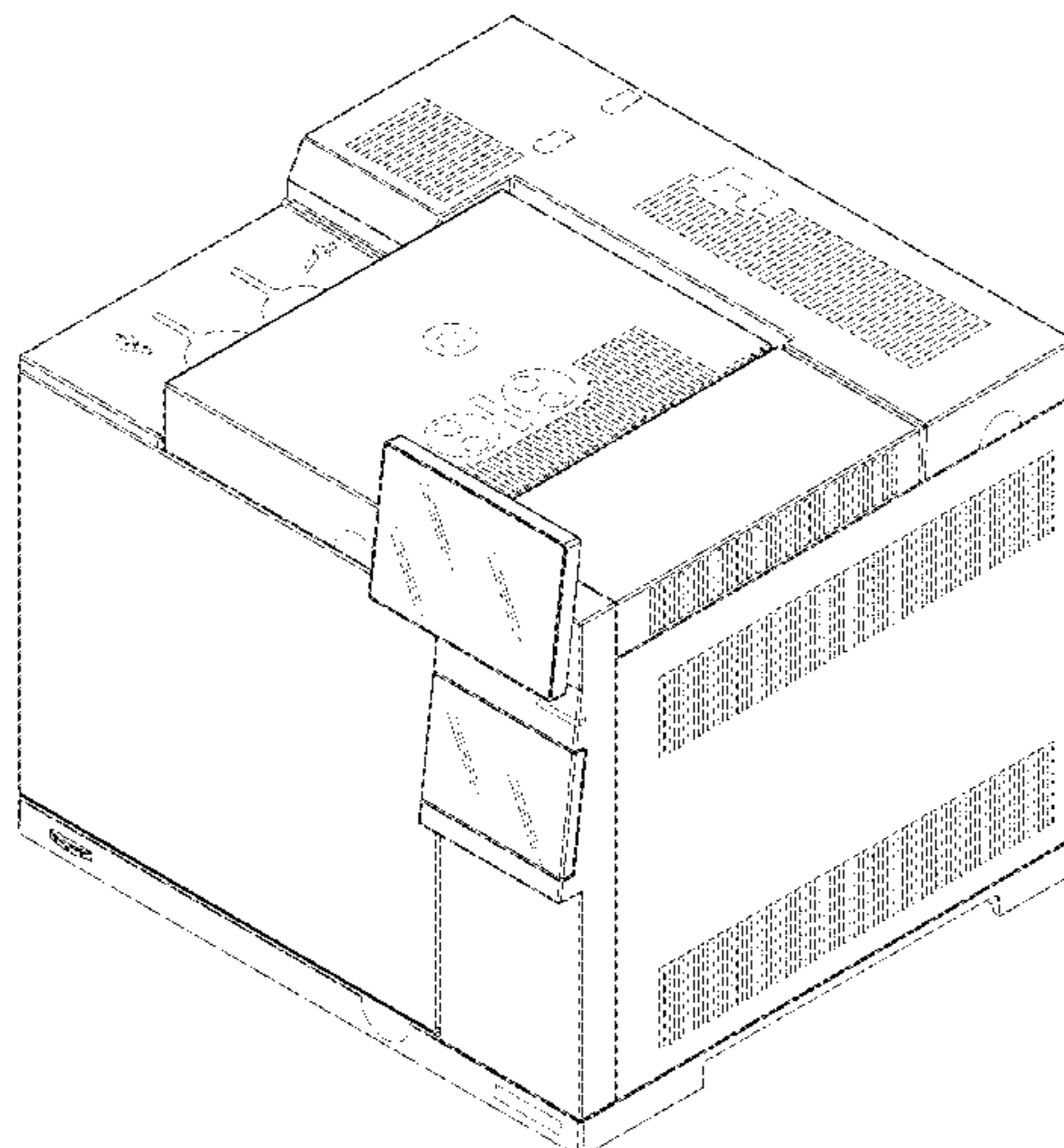
(57) **CLAIM**

We claim the ornamental design for a chromatograph, as shown and described.

DESCRIPTION

FIG. 1 is a front perspective view of a chromatograph.
 FIG. 2 is another front perspective view of the chromatograph illustrated in FIG. 1.
 FIG. 3 is a rear perspective view of the chromatograph illustrated in FIG. 1.
 FIG. 4 is a front elevation view of the chromatograph illustrated in FIG. 1.
 FIG. 5 is a right side elevation view of the chromatograph illustrated in FIG. 1.
 FIG. 6 is a rear elevation view of the chromatograph illustrated in FIG. 1.
 FIG. 7 is a left side elevation view of the chromatograph illustrated in FIG. 1.
 FIG. 8 is a top plan view of the chromatograph illustrated in FIG. 1; and,
 FIG. 9 is a bottom plan view of the chromatograph illustrated in FIG. 1.
 In the drawings, the broken lines illustrate portions of the chromatograph that form no part of the claimed design.

1 Claim, 9 Drawing Sheets



(56)

References Cited

U.S. PATENT DOCUMENTS

2013/0025347 A1* 1/2013 Rhodes G01N 30/88
73/23.39
2013/0288355 A1 10/2013 DeWitte et al.
2015/0040648 A1 2/2015 Matsubara

* cited by examiner

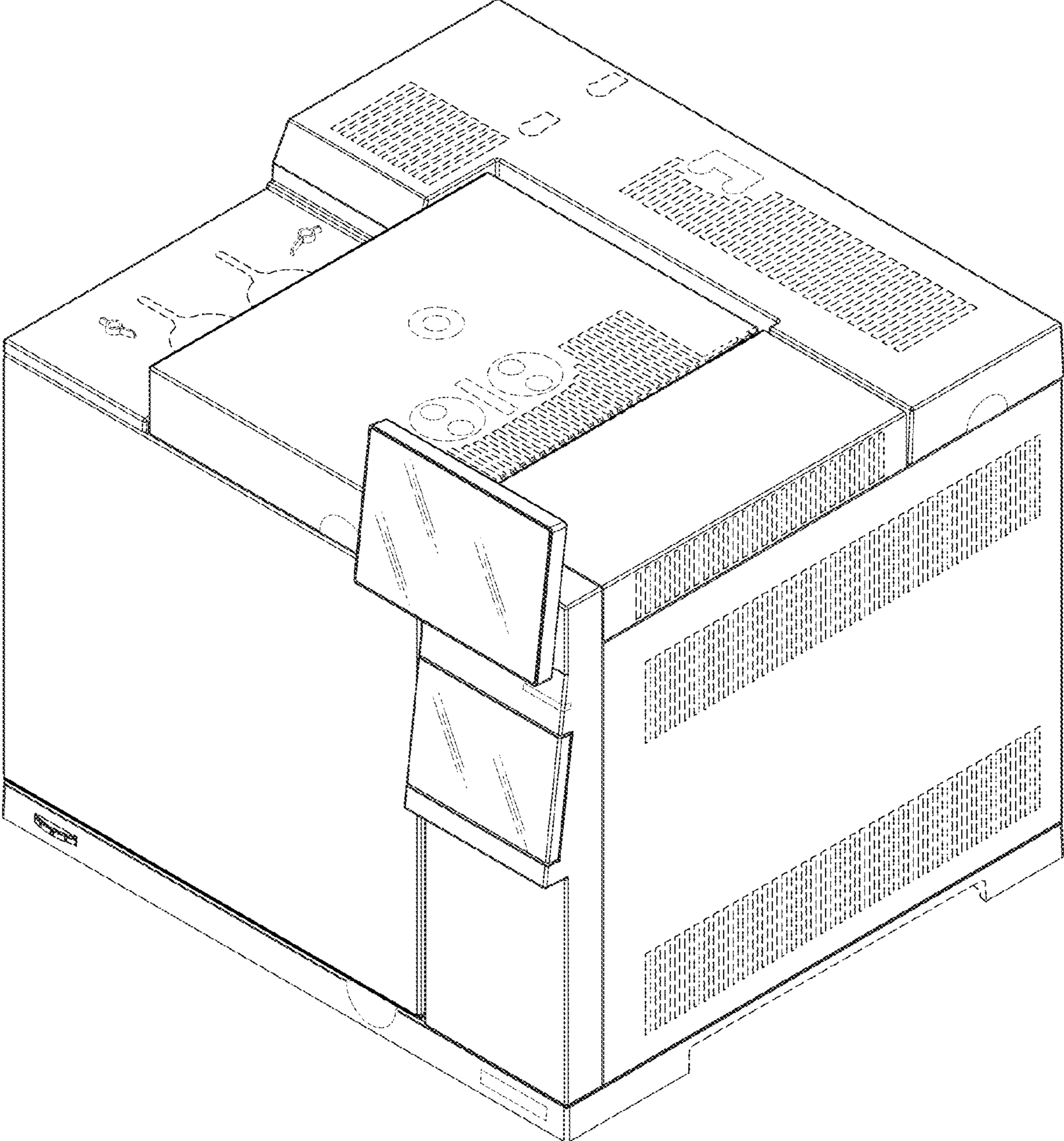


FIG. 1

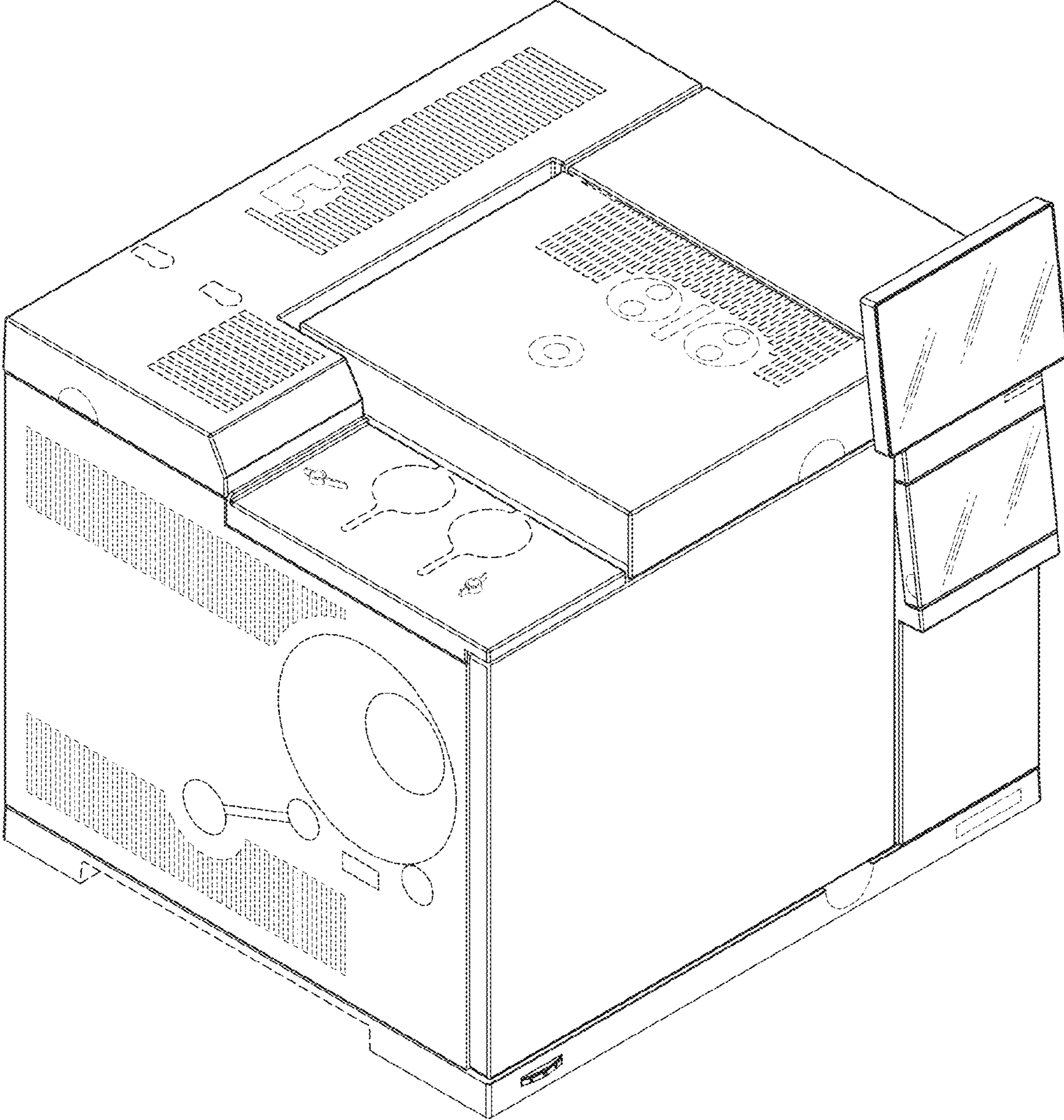


FIG. 2

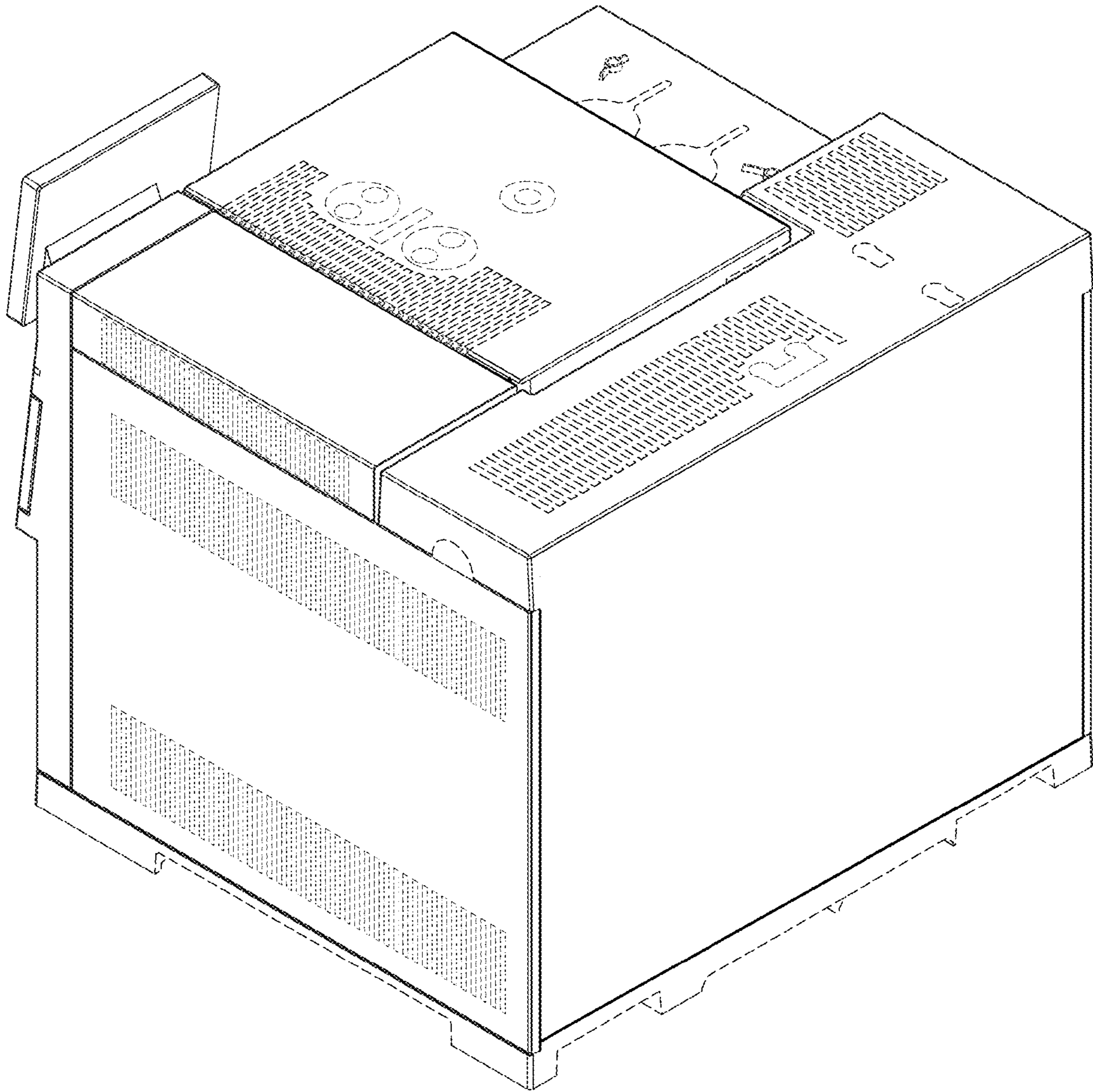


FIG. 3

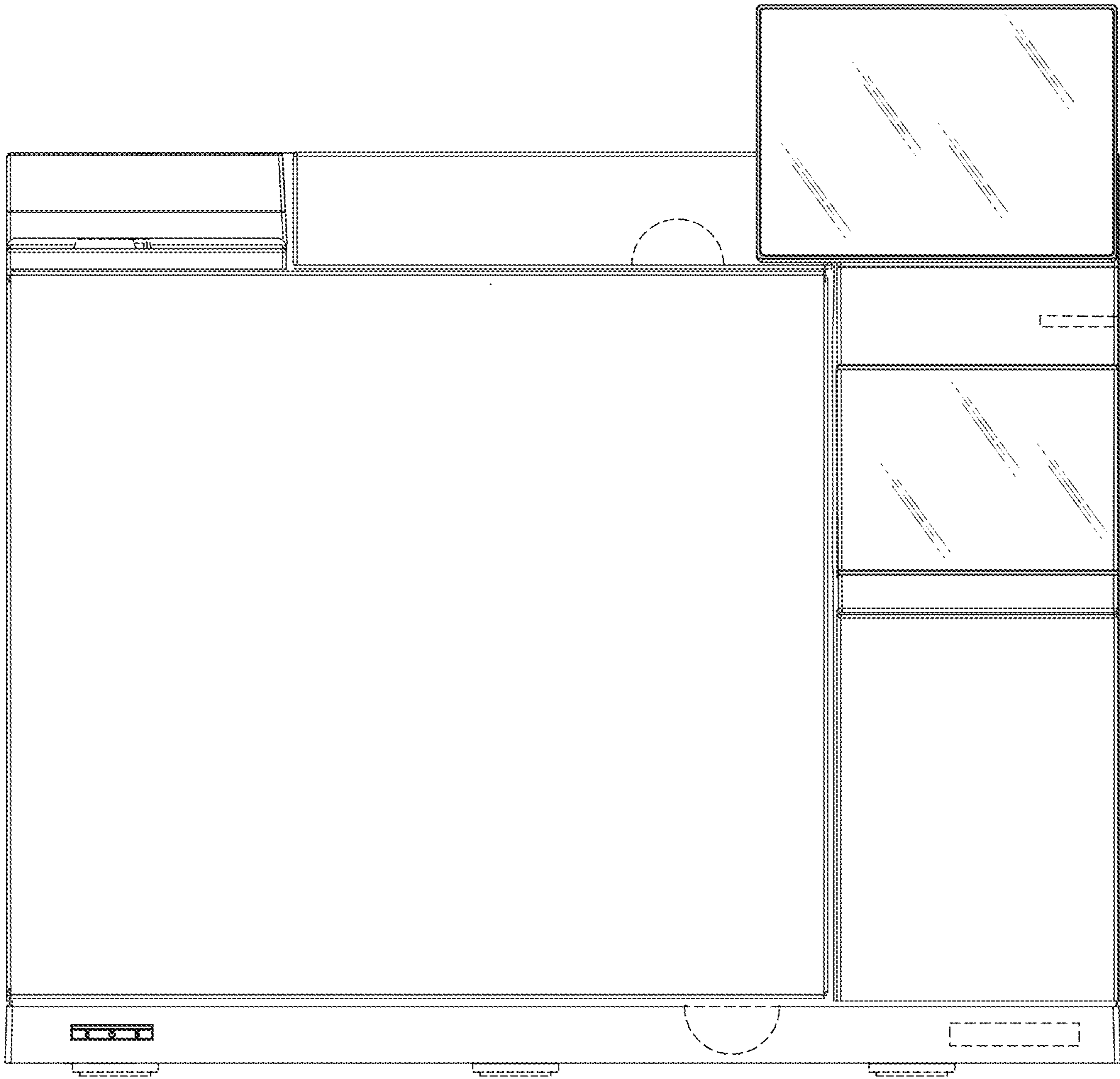


FIG. 4

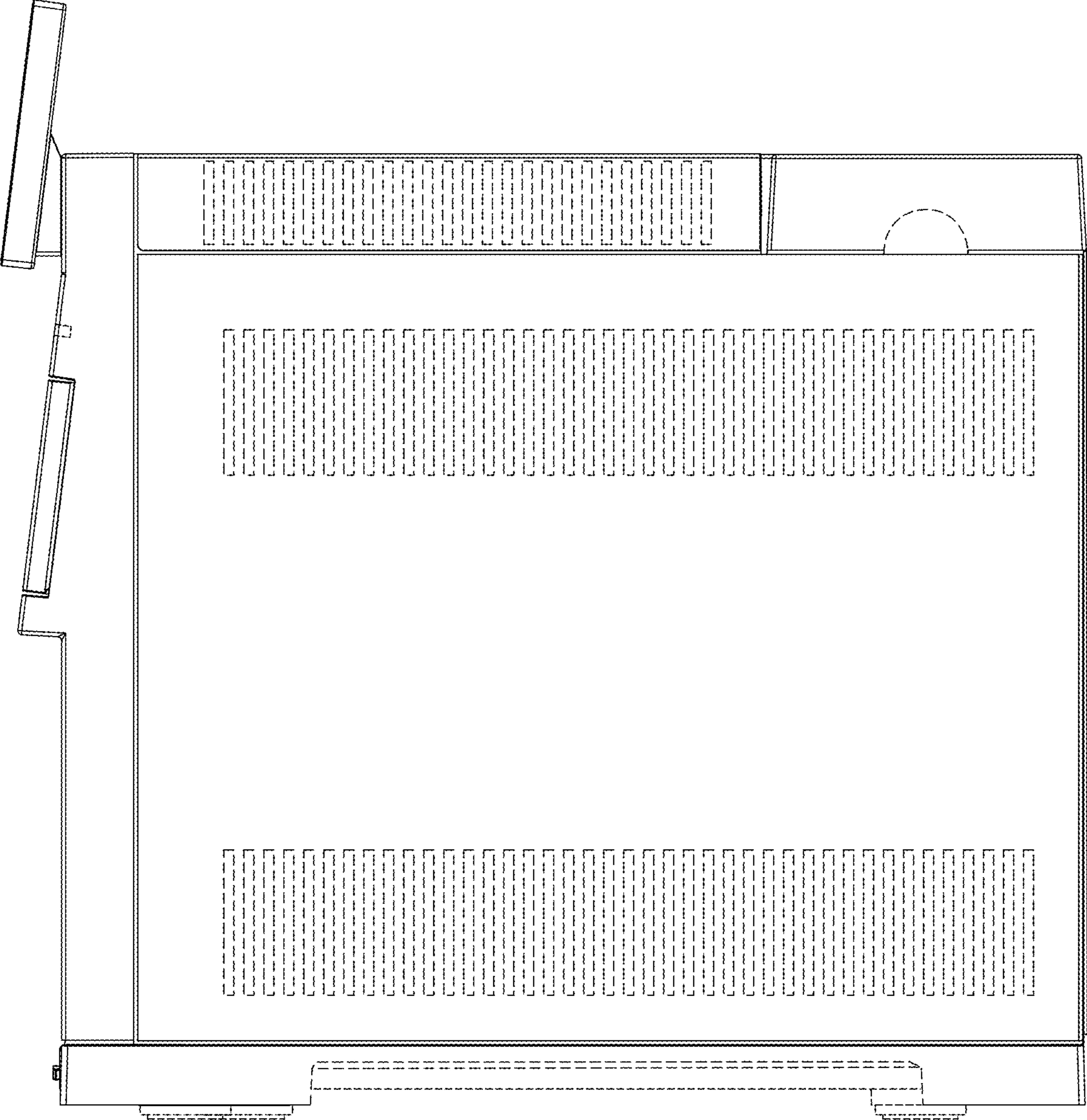


FIG. 5

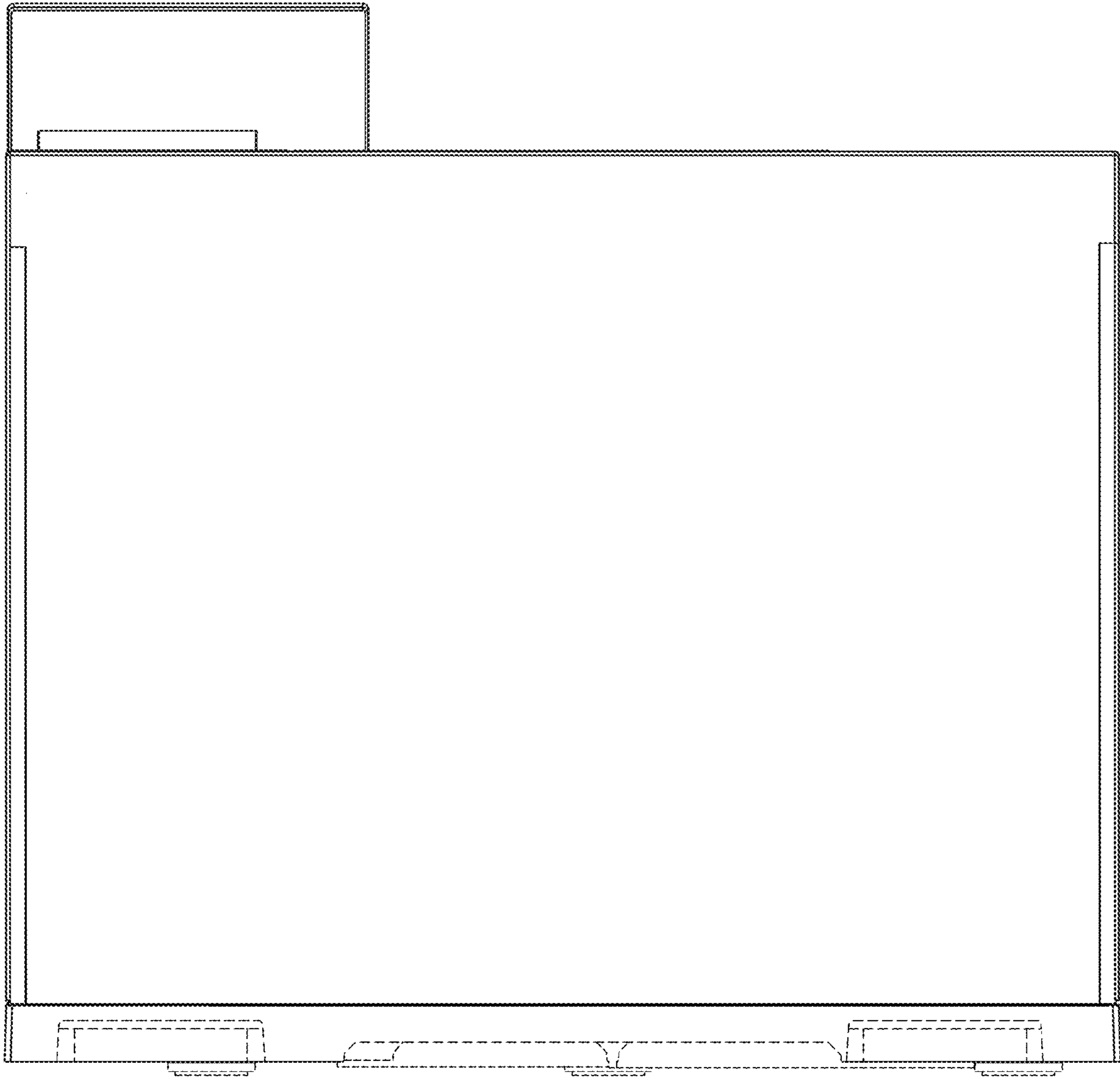


FIG. 6

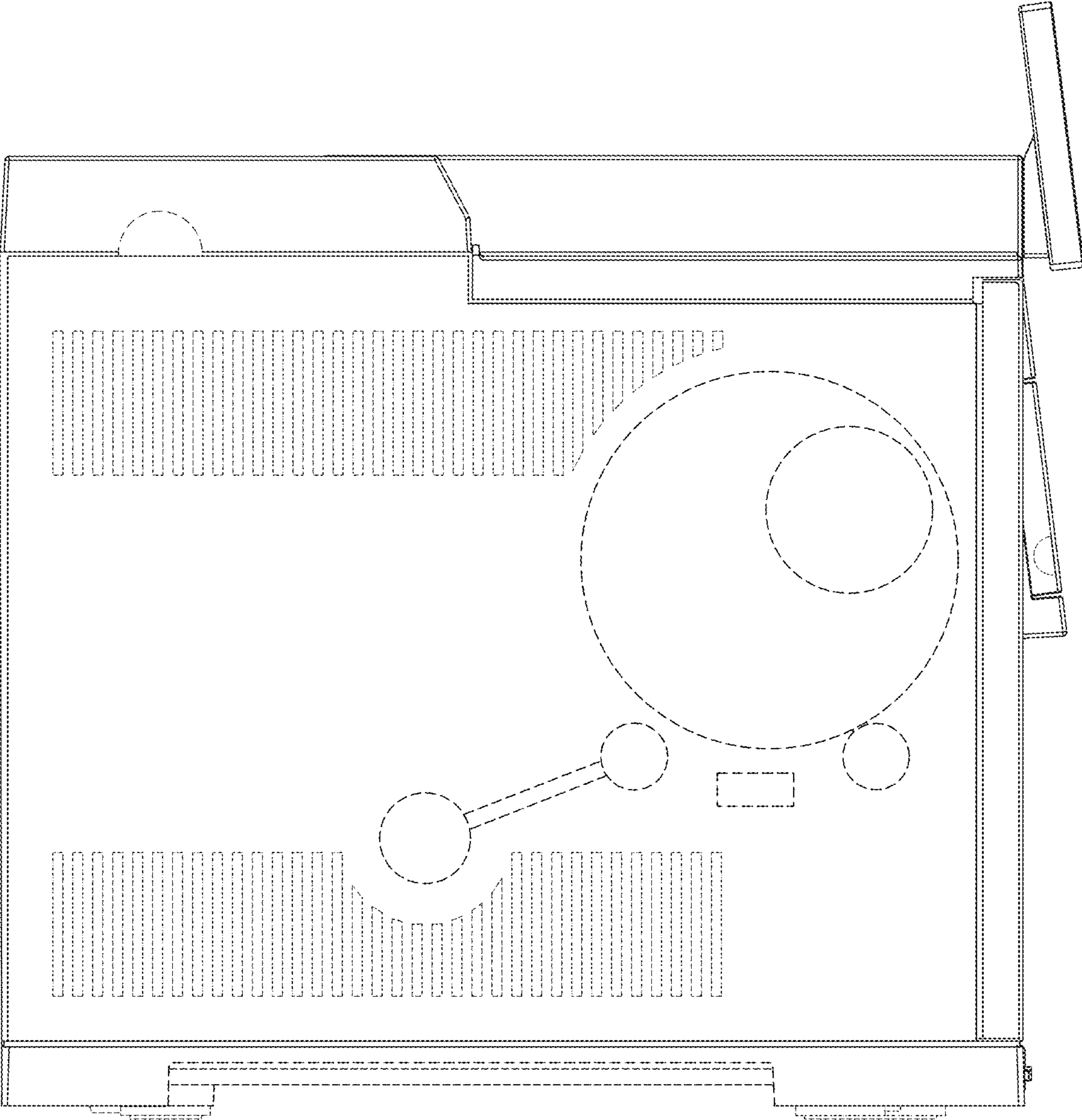


FIG. 7

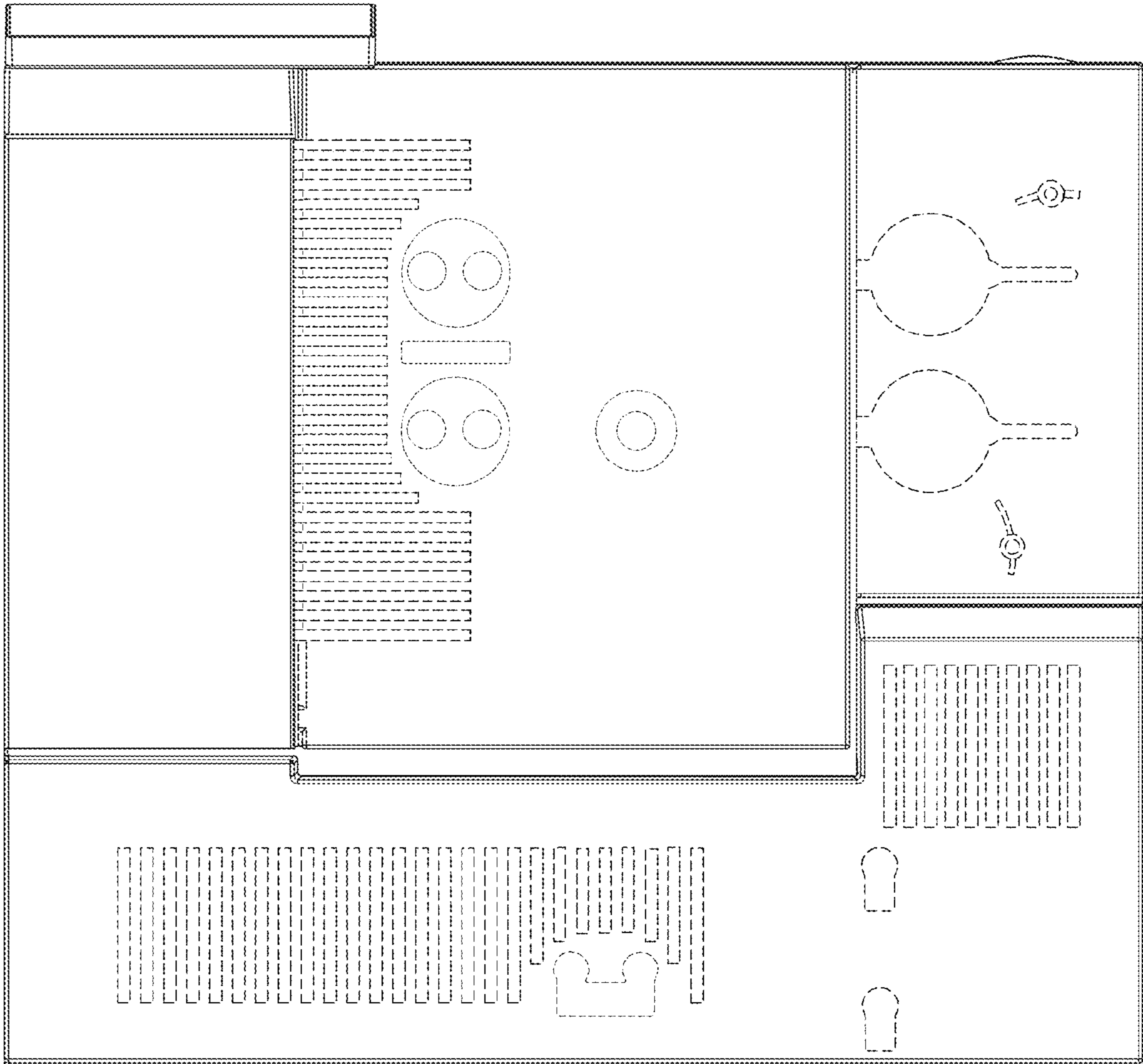


FIG. 8

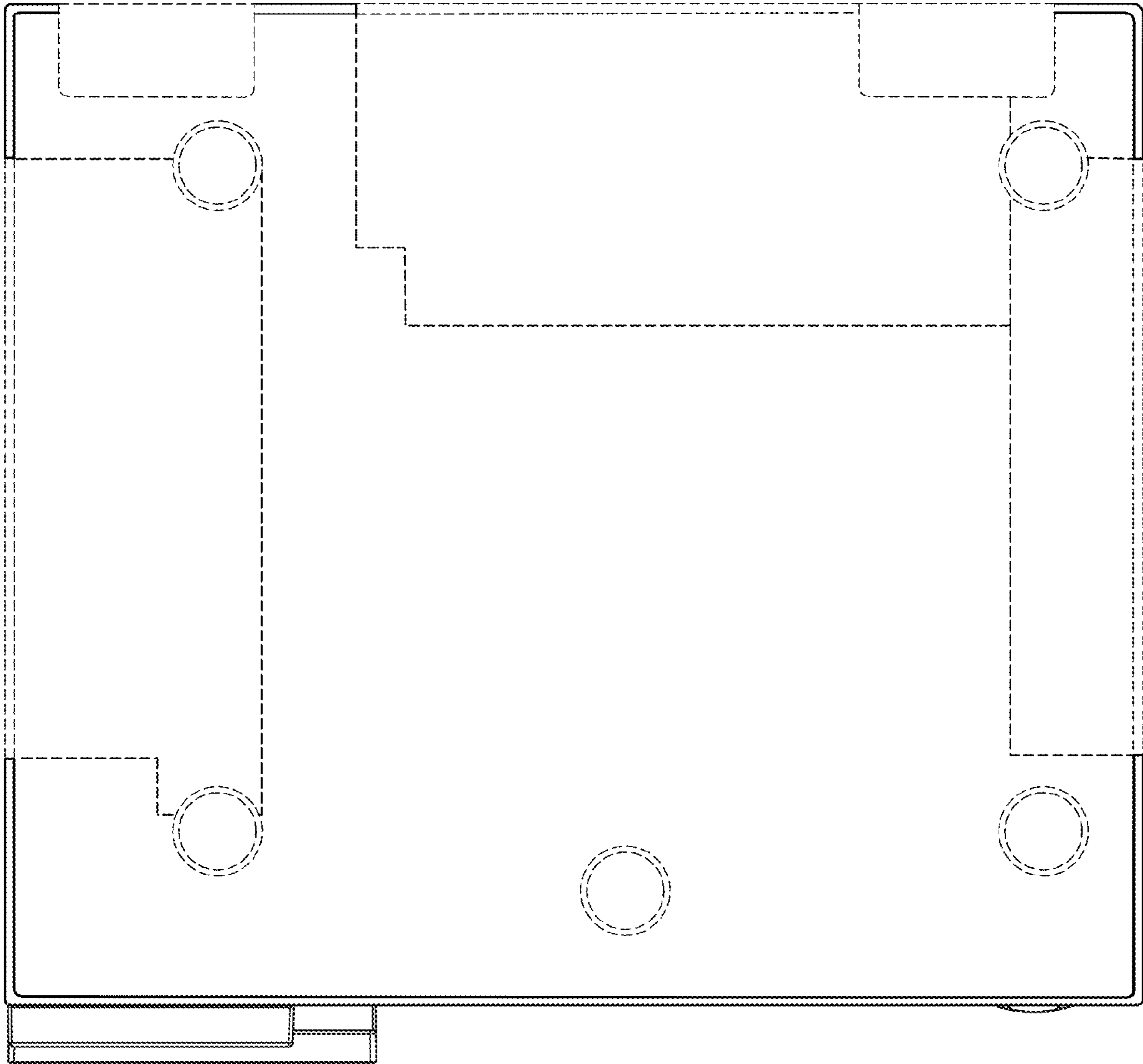


FIG. 9