



US00D889676S

(12) **United States Design Patent** (10) **Patent No.:** **US D889,676 S**
Chen (45) **Date of Patent:** **** Jul. 7, 2020**

(54) **WEARABLE DEVICE FOR EMITTING LIGHT BEAM TO EYEBROW**

(71) Applicant: **Chung-Yang Chen**, New Taipei (TW)

(72) Inventor: **Chung-Yang Chen**, New Taipei (TW)

(**) Term: **15 Years**

(21) Appl. No.: **29/657,386**

(22) Filed: **Jul. 20, 2018**

(51) **LOC (12) Cl.** **28-03**

(52) **U.S. Cl.**
USPC **D24/209**; D28/10

(58) **Field of Classification Search**
USPC D28/44, 44.1, 45, 46, 59, 91, 91.1, 10;
D24/147, 209; D29/104-110; D14/344
CPC ... A45D 1/00; A45D 1/03; A45D 2/48; A45D
2/06; A45D 29/04; A45D 29/11; A45D
29/18; A45D 34/00; A45D 34/005; A45D
34/007; A45D 34/02; A45D 26/00; A45D
26/0066; A44C 15/002; A61N 5/06;
A61N 5/0617; A61N 2005/0647; A61N
2005/0651

See application file for complete search history.

(56) **References Cited**

U.S. PATENT DOCUMENTS

D375,612 S *	11/1996	Elder	D10/111
D382,989 S *	9/1997	Simpson	D2/894
D403,841 S *	1/1999	Drone	D2/894
D441,886 S *	5/2001	Beck	D24/231
D617,907 S *	6/2010	Waller	D24/191
D648,858 S *	11/2011	Hayton	D24/209
D710,514 S *	8/2014	Campbell	D24/209
D772,869 S *	11/2016	Iizuka	D10/39
D777,339 S *	1/2017	Chen	D24/209
D804,047 S *	11/2017	Michaels	D24/209

D819,823 S *	6/2018	Pelletier	D24/209
D831,839 S *	10/2018	Pelletier	D24/209
D832,451 S *	10/2018	Geyer	D24/209
2011/0251658 A1 *	10/2011	Chen	A61N 5/0617 607/88
2016/0106999 A1 *	4/2016	Michaels	A61N 5/0617 604/20

* cited by examiner

Primary Examiner — Jennifer Rivard

Assistant Examiner — Alison M Ofstun

(74) *Attorney, Agent, or Firm* — Muncy, Geissler, Olds & Lowe, P.C.

(57) **CLAIM**

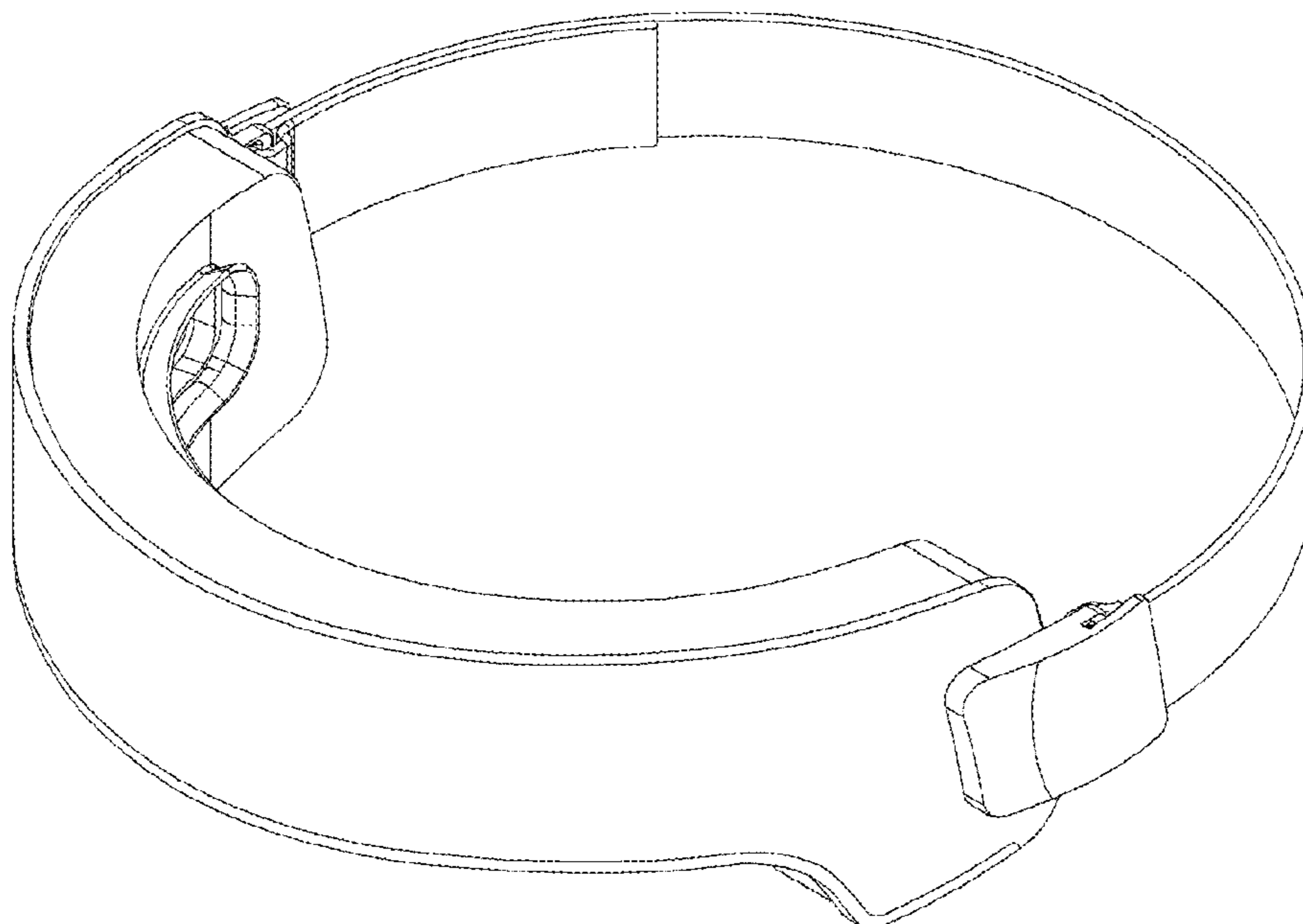
The ornamental design for a wearable device for emitting light beam to eyebrow, as shown and described.

DESCRIPTION

FIG. 1 is a perspective view of a wearable device for emitting light beam to eyebrow showing my new design; FIG. 2 is another perspective view thereof; FIG. 3 is a front elevational view thereof; FIG. 4 is a rear elevational view thereof; FIG. 5 is a left side elevational view thereof; FIG. 6 is a right side elevational view thereof; FIG. 7 is a top view thereof; FIG. 8 is a bottom view thereof; FIG. 9 is an enlarged view thereof, of the portion indicated "9" shown in FIG. 2; FIG. 10 is an enlarged view thereof, of the portion indicated "10" shown in FIG. 5; and, FIG. 11 is an enlarged view thereof, of the portion indicated "11" shown in of FIG. 8.

In the drawings, the broken lines illustrate enlarged fragmentary view indicators and form no part of the claimed design.

1 Claim, 11 Drawing Sheets



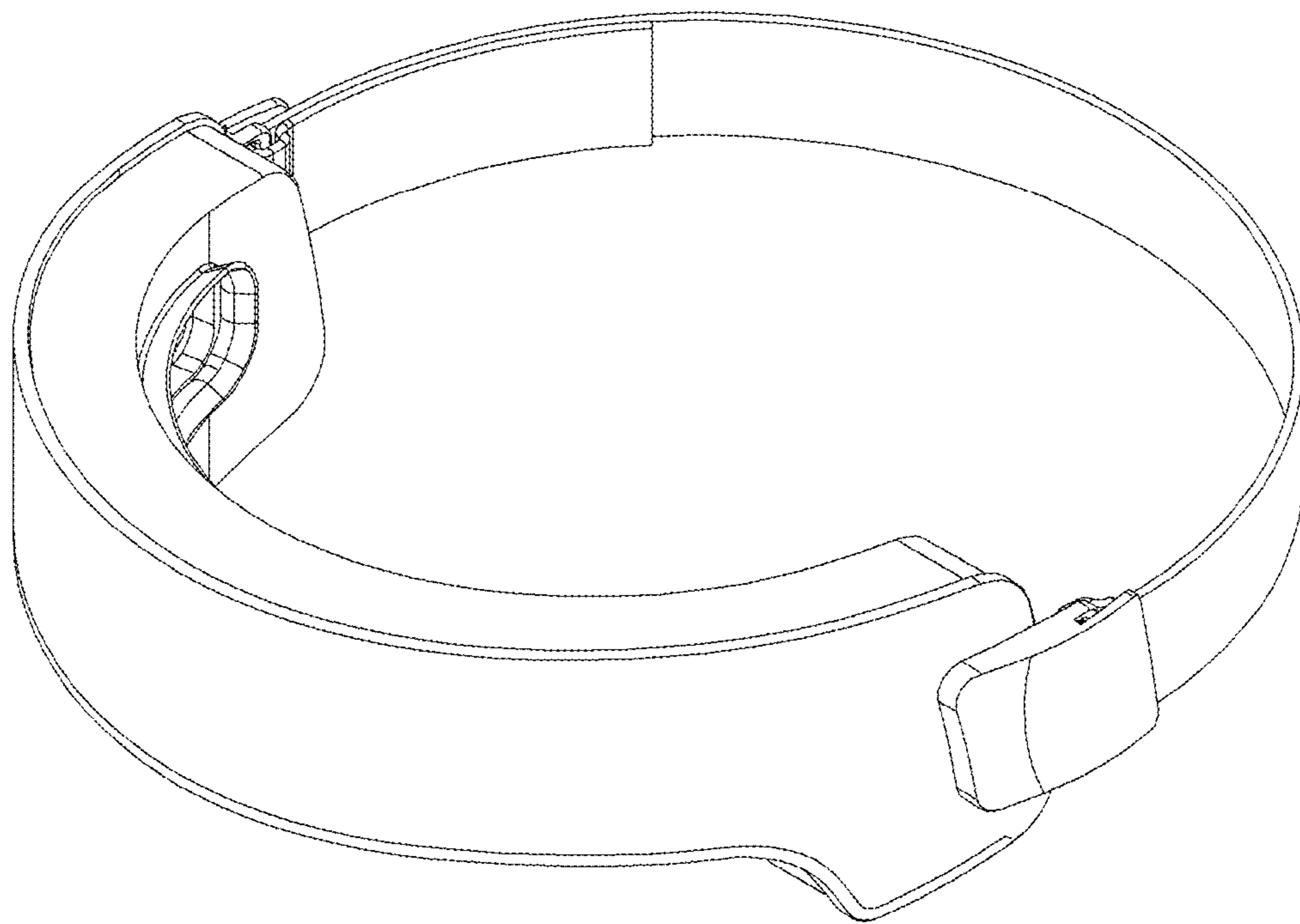


FIG.1

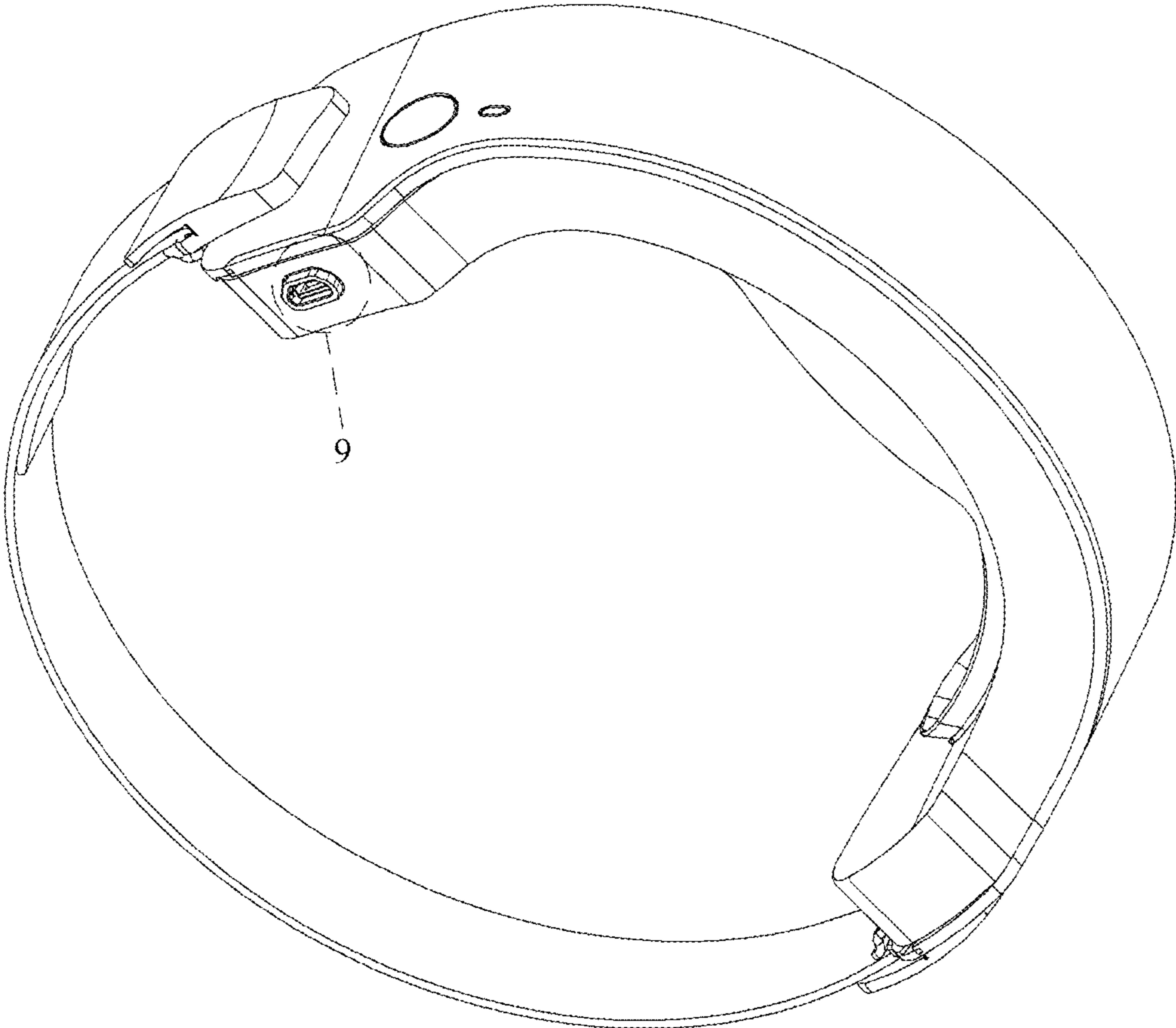


FIG.2

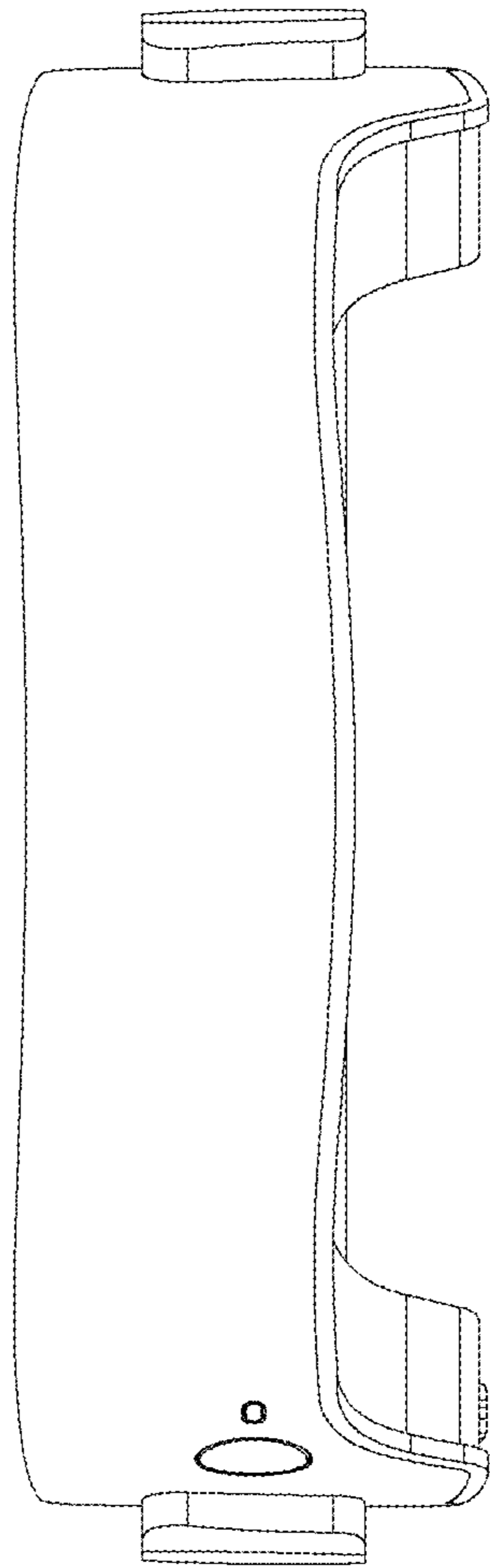


FIG.3

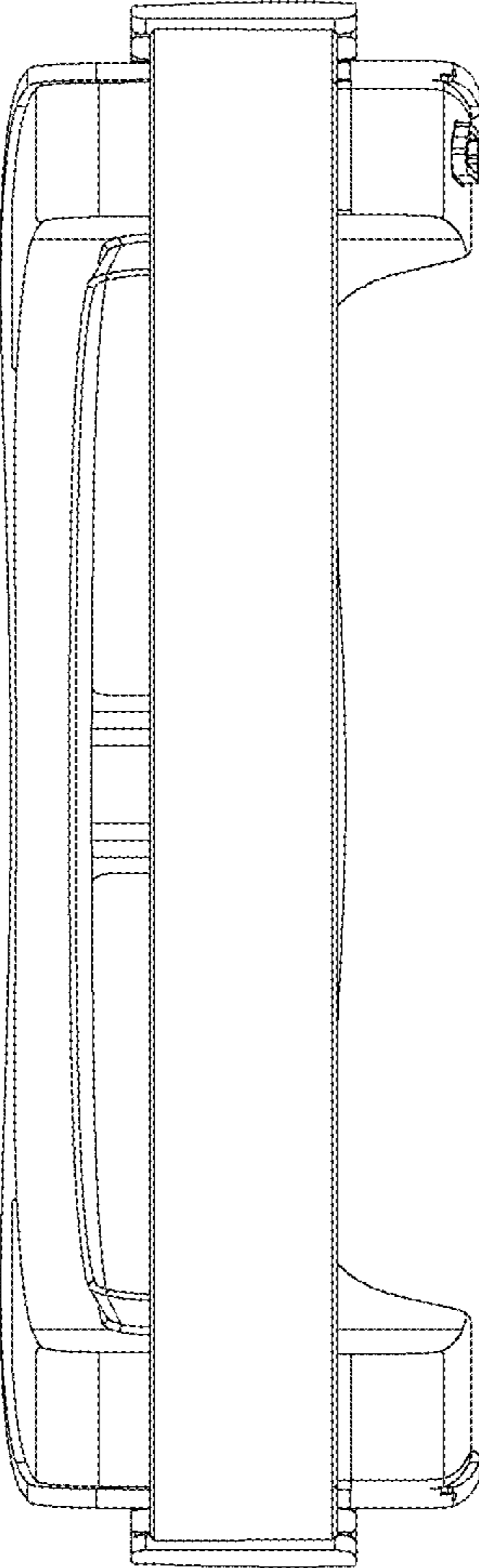


FIG.4

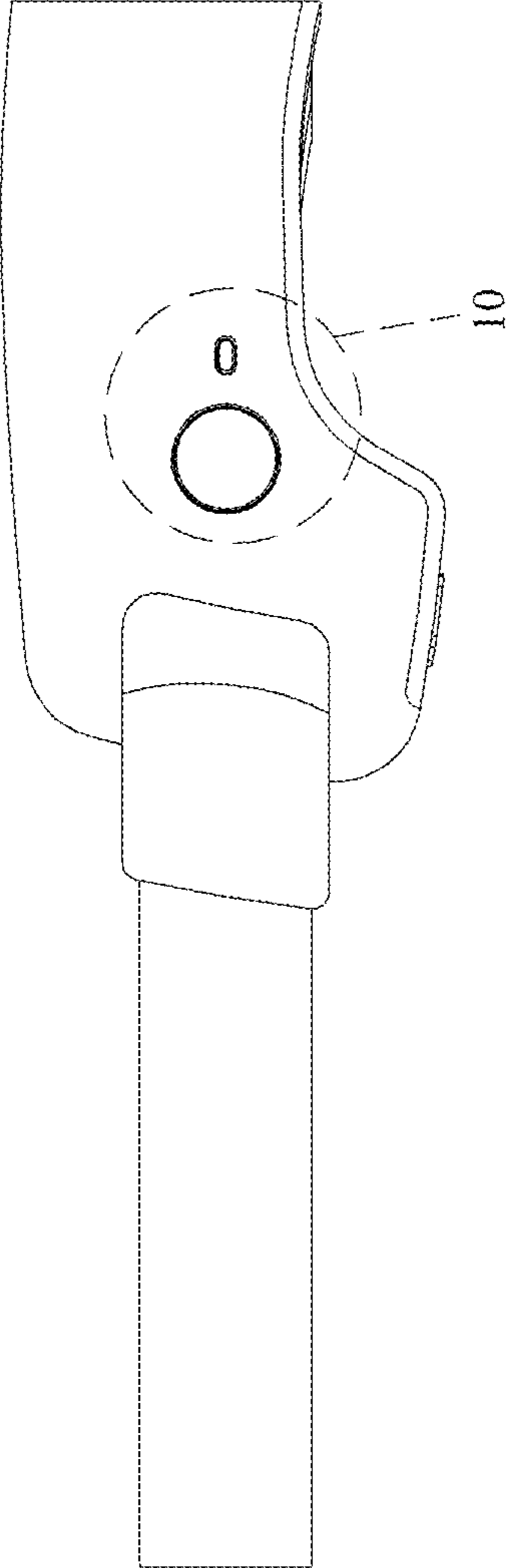


FIG.5

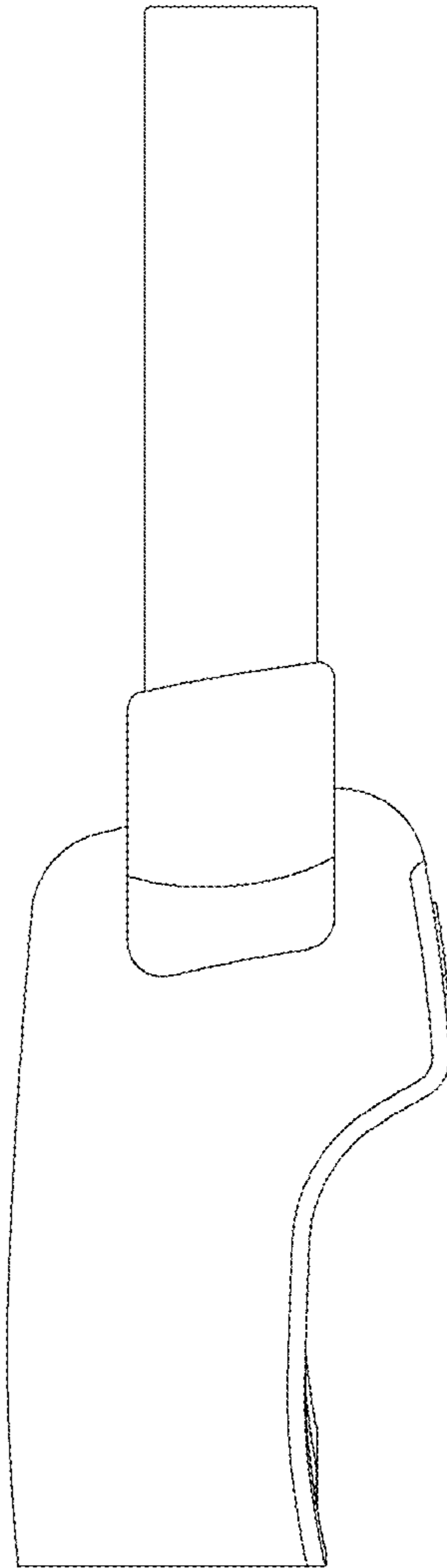


FIG.6

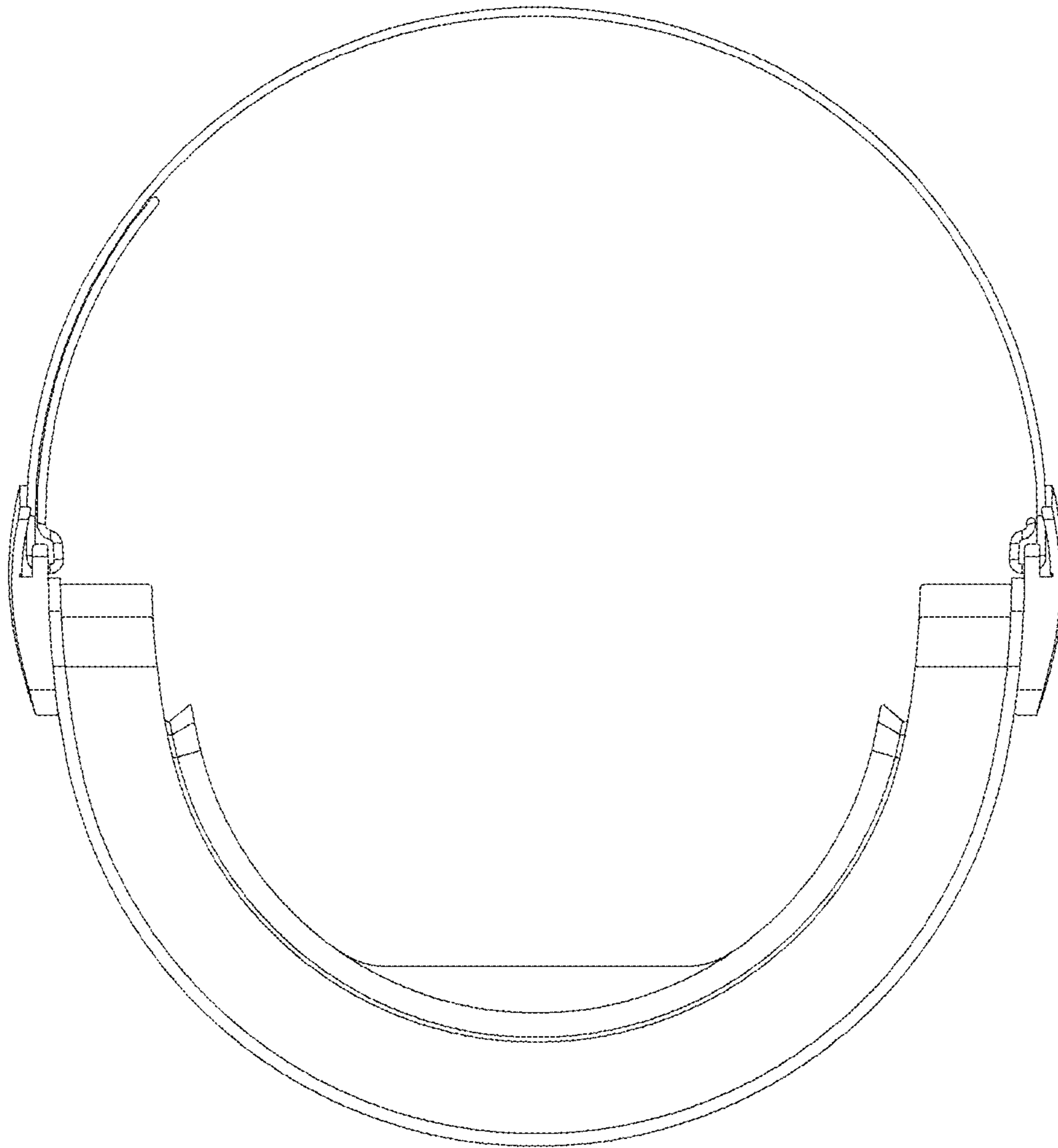


FIG. 7

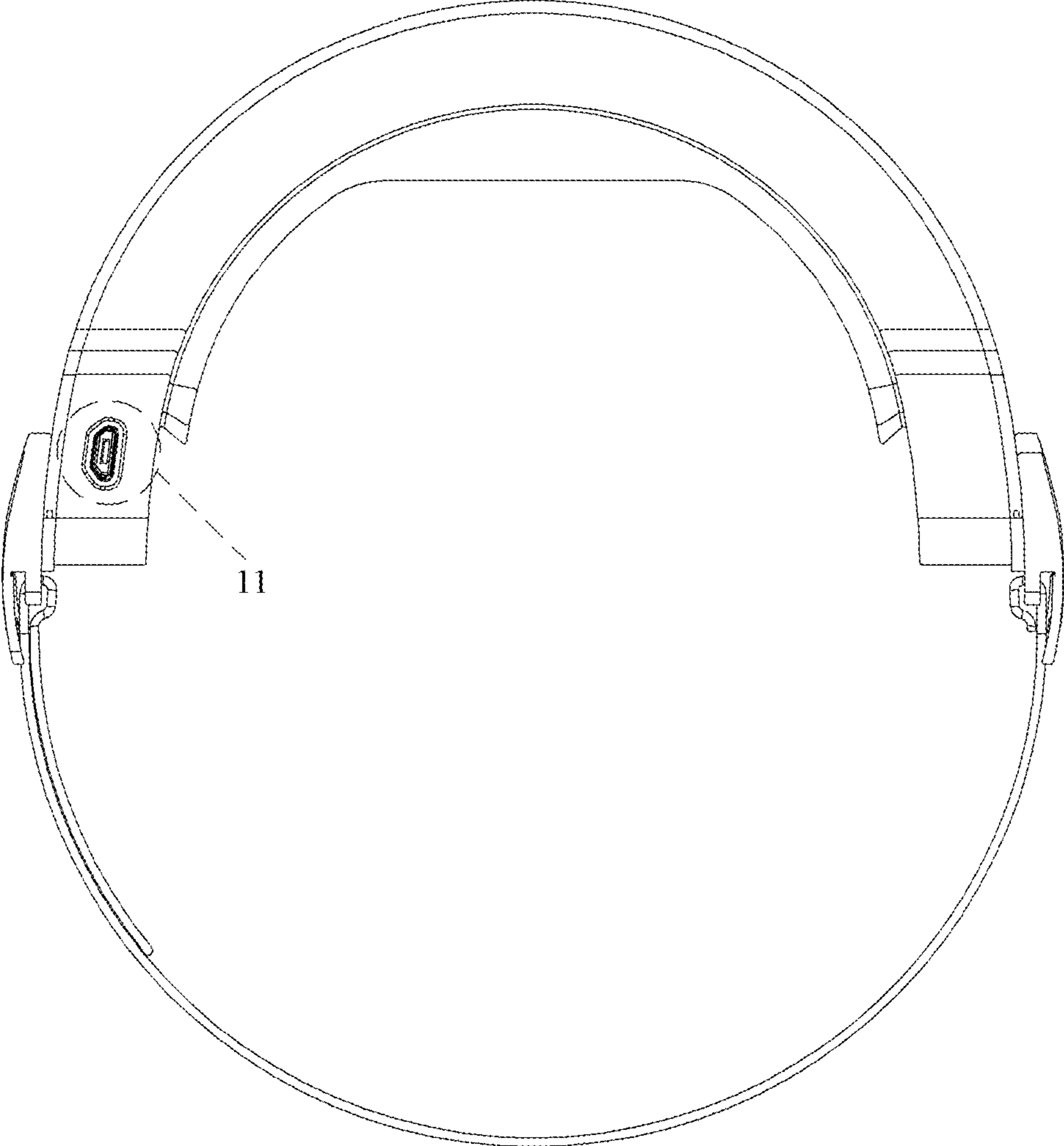


FIG.8

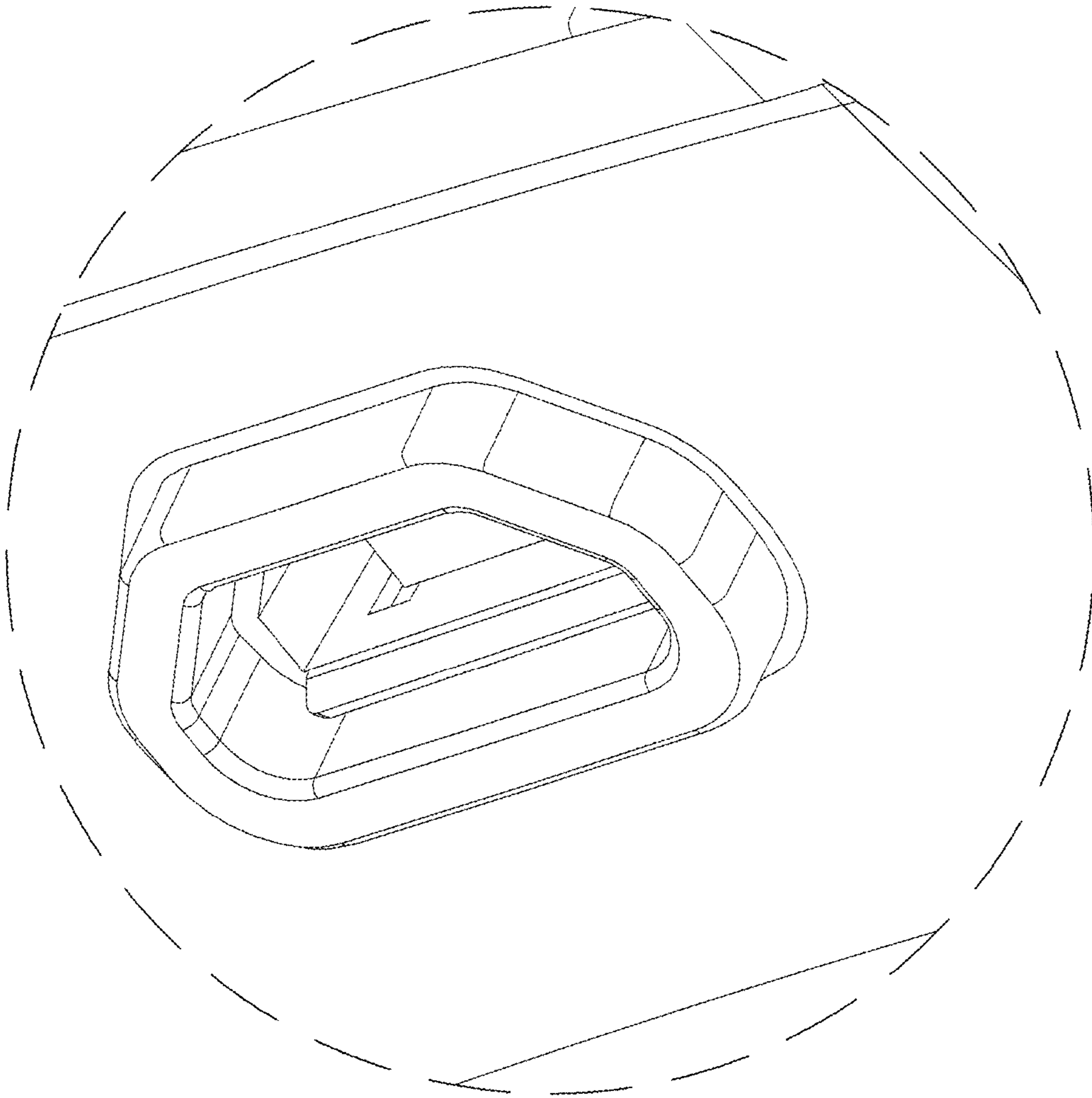


FIG.9

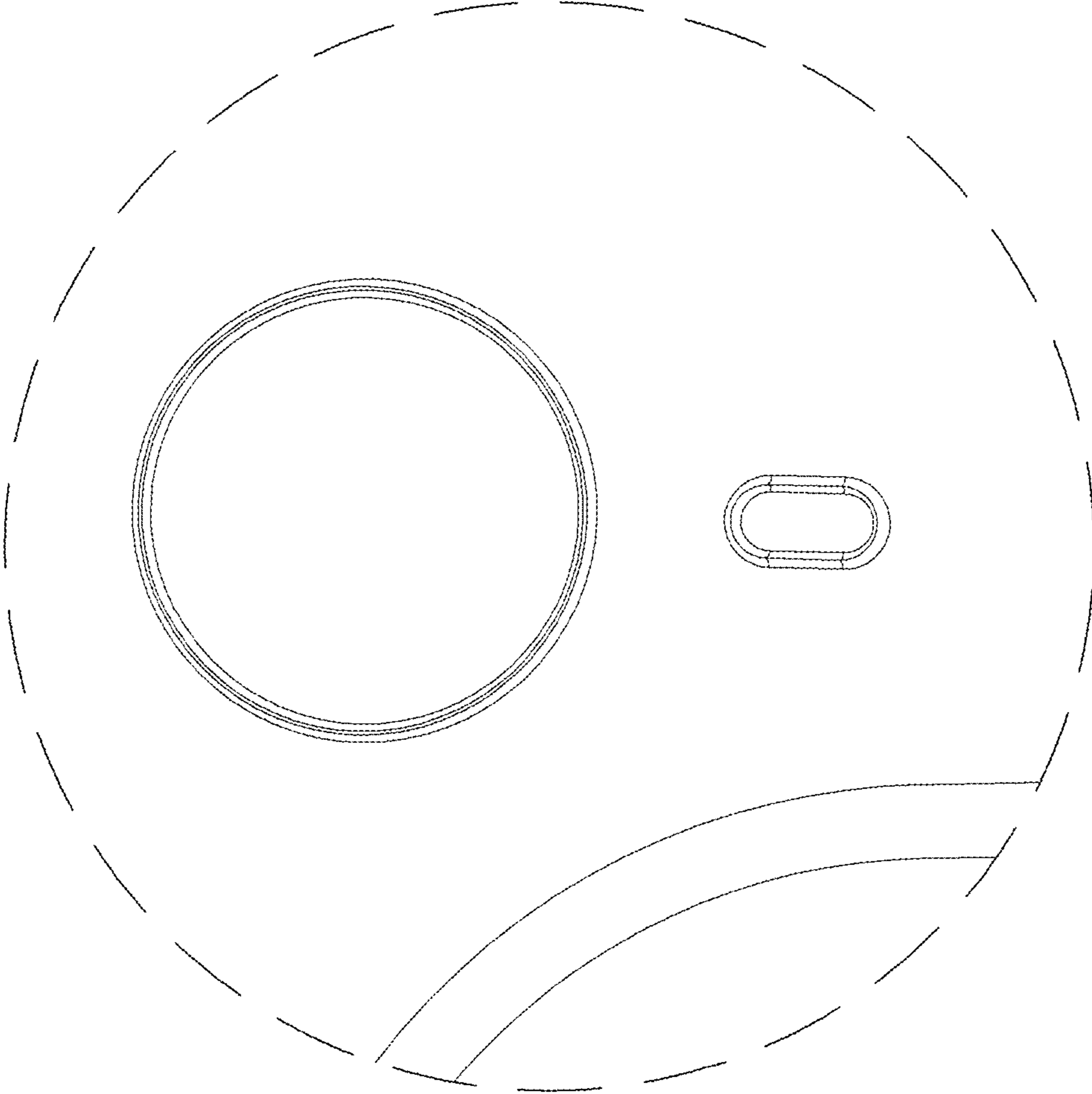


FIG.10

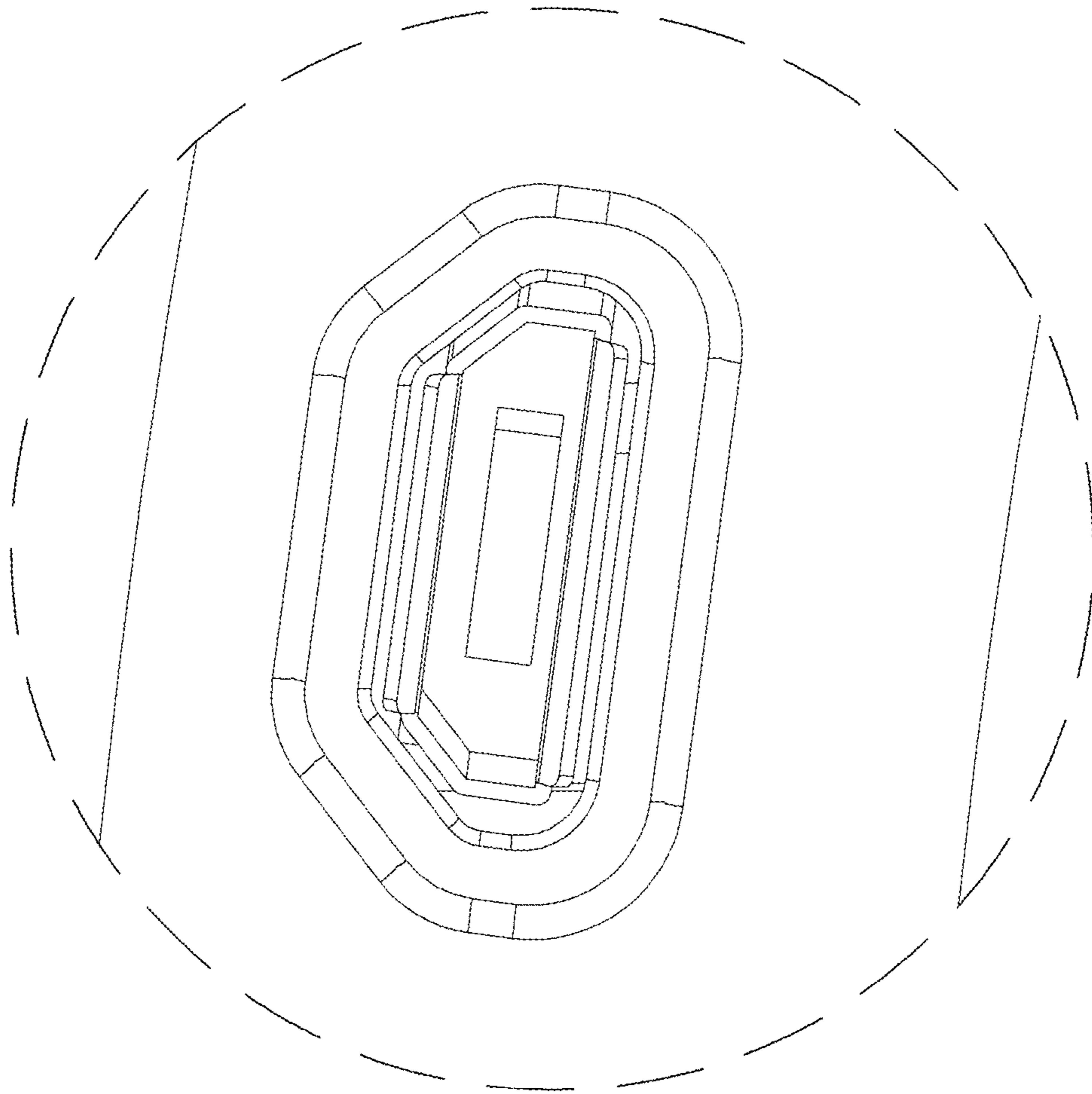


FIG.11