



US00D889674S

(12) **United States Design Patent** (10) **Patent No.:** **US D889,674 S**
Murnaghan (45) **Date of Patent:** **** Jul. 7, 2020**

(54) **ACUPRESSURE MAT**

(56) **References Cited**

(71) Applicant: **Pearll Ltd**, Merseyside (GB)

U.S. PATENT DOCUMENTS

(72) Inventor: **Shane Murnaghan**, Knocklyon (IE)

3,741,411 A 6/1973 Peacock
D294,212 S * 2/1988 Sias D6/587

(73) Assignee: **PEARLL LTD**, St. Helens, Merseyside (GB)

5,158,073 A 10/1992 Bukowski
D336,198 S 6/1993 Gibbons

(**) Term: **15 Years**

D344,137 S * 2/1994 Yoo D24/200
D348,108 S 6/1994 Kim

(21) Appl. No.: **29/624,087**

5,938,684 A * 8/1999 Lynch A61H 39/04
606/201

(22) Filed: **Oct. 30, 2017**

D475,792 S 6/2003 Robbins
D610,696 S 2/2010 Makuch

Related U.S. Application Data

(62) Division of application No. 29/559,387, filed on Mar. 28, 2016.

D713,970 S 9/2014 Olofsson
D821,594 S * 6/2018 Davidson D24/200

(30) **Foreign Application Priority Data**

Sep. 28, 2015 (EM) 002801829-0001
Sep. 28, 2015 (EM) 002801829-0002

2005/0165450 A1 7/2005 Perez-Torrens
2006/0241538 A1 10/2006 Chen

(51) **LOC (12) Cl.** **28-03**

2008/0004554 A1 1/2008 Smith
2012/0253248 A1 10/2012 Carlson

(52) **U.S. Cl.**
USPC **D24/200**

2013/0324382 A1 12/2013 Wilson
2014/0088474 A1 3/2014 Bukharina

(58) **Field of Classification Search**
USPC D24/200, 211-212, 215; D6/582-583,
D6/587

2015/0351996 A1 12/2015 Bukharina
2018/0055722 A1 * 3/2018 Murnaghan A61H 15/00

CPC A61H 39/04; A61H 7/001; A61H 7/002;
A61H 7/00; A61H 15/00; A61H
2201/1284; A61H 2201/1695; A61H
2201/169; A61H 2015/0042; A61H
2015/005; A61H 2015/0057; A61H
2015/0064; A61H 2205/00; A61H
2205/081

* cited by examiner

See application file for complete search history.

Primary Examiner — Wan Laymon

(74) *Attorney, Agent, or Firm* — Brinks Gilson & Lione;
John C. Freeman

(57) **CLAIM**

The ornamental design for an acupressure mat, as shown and described.

DESCRIPTION

FIG. 1 is a top view of an ornamental design of an acupressure mat;
FIG. 2 is a bottom view of the acupressure mat of FIG. 1;
and,
FIG. 3 is a side view of the acupressure mat of FIG. 1.

1 Claim, 3 Drawing Sheets

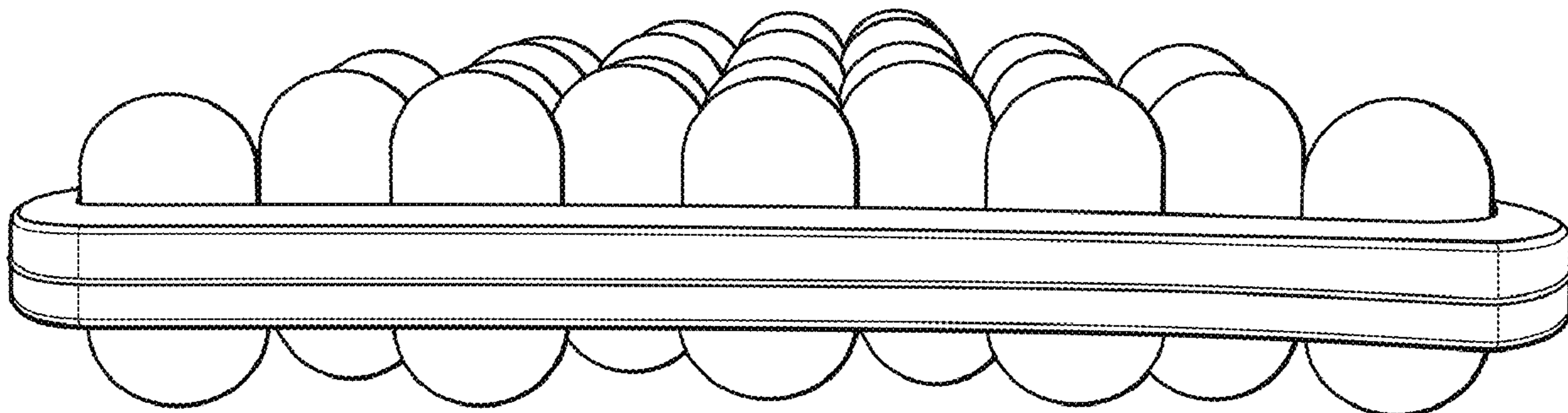


FIG. 1

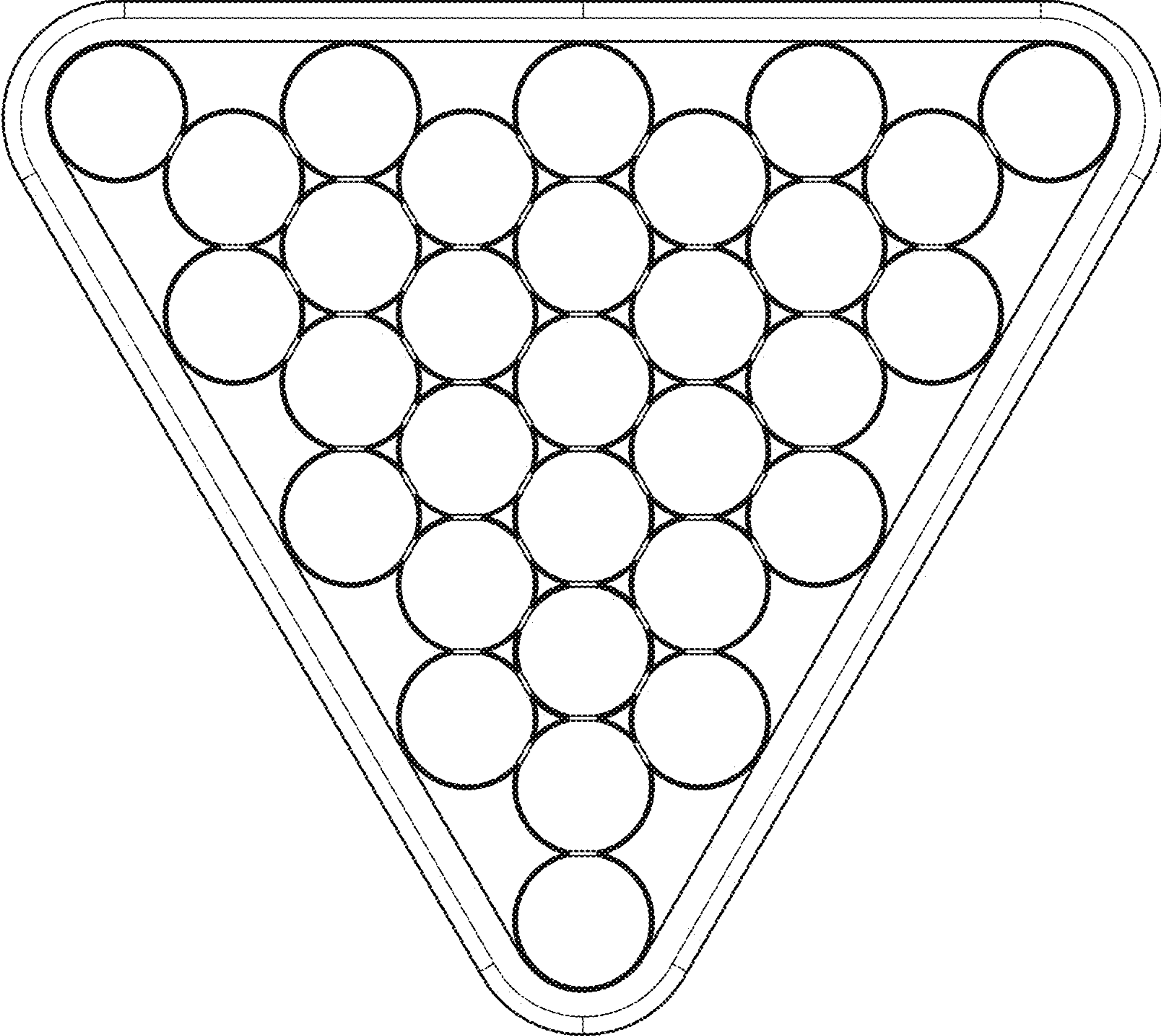


FIG. 2

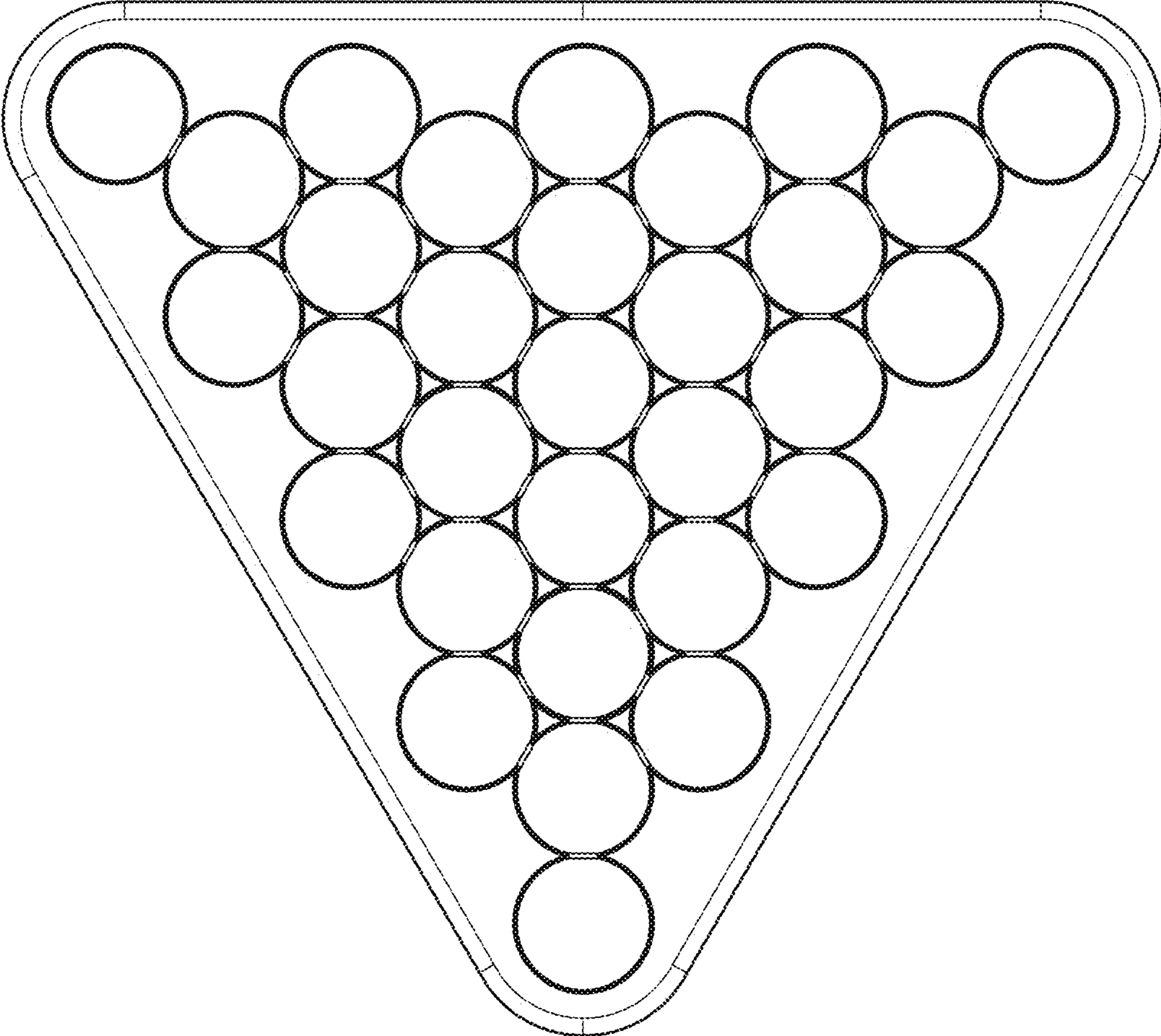


FIG. 3

