



US00D889673S

(12) **United States Design Patent** (10) **Patent No.:** **US D889,673 S**
Salloum (45) **Date of Patent:** **** Jul. 7, 2020**

- (54) **FLEXIBLE WEARABLE FOOT SLING**
- (71) Applicant: **Miriam Y. Salloum**, Asheville, NC (US)
- (72) Inventor: **Miriam Y. Salloum**, Asheville, NC (US)
- (**) Term: **15 Years**
- (21) Appl. No.: **29/681,773**
- (22) Filed: **Feb. 27, 2019**
- (51) **LOC (12) Cl.** **24-01**
- (52) **U.S. Cl.**
USPC **D24/192**
- (58) **Field of Classification Search**
USPC D2/980; D24/192; D29/121.2
CPC A43B 7/26; A43B 3/106; A43B 3/105
See application file for complete search history.

(56) **References Cited**

U.S. PATENT DOCUMENTS

6,371,933 B1 * 4/2002 Gardon-Mollard D04B 9/52
602/62

D626,323 S * 11/2010 Matthews D2/980

D627,147 S * 11/2010 Lambertz D2/994

D656,302 S * 3/2012 Driggers D2/946

D696,855 S * 1/2014 Knauer D2/980

D710,084 S * 8/2014 Roberts D2/988

8,959,796 B2 * 2/2015 Lazaris A43B 3/102
36/11.5

D726,404 S * 4/2015 Hoane D2/994

D746,581 S * 1/2016 Townsend D2/994

9,387,359 B2 * 7/2016 Ferri A61F 5/019

D774,744 S * 12/2016 Williams D2/980

D835,793 S * 12/2018 Zhuang D24/192

D843,708 S * 3/2019 Mazourik D2/994

D849,390 S * 5/2019 Abdul-Malik D2/980

10,455,864 B2 * 10/2019 Baker A41B 11/004

D872,455 S * 1/2020 Durisch D2/994

D872,456 S * 1/2020 Durisch D2/994

2005/0251081 A1 * 11/2005 McClanahan A61F 5/10
602/30

2011/0314591 A1 * 12/2011 Mitsuno A61F 13/08
2/239

2015/0177080 A1 * 6/2015 Esposito A61B 5/024
2/239

* cited by examiner

Primary Examiner — Jennifer L Watkins

(74) *Attorney, Agent, or Firm* — William G. Heedy; The Van Winkle Law Firm

(57) **CLAIM**

The ornamental design for a flexible wearable foot sling, as shown and described.

DESCRIPTION

FIG. 1 is a perspective view of a design for a flexible wearable foot sling.

FIG. 2 is a front elevational view thereof.

FIG. 3 is a rear elevational view thereof.

FIG. 4 is a right side elevational view thereof.

FIG. 5 is a left side elevational view thereof.

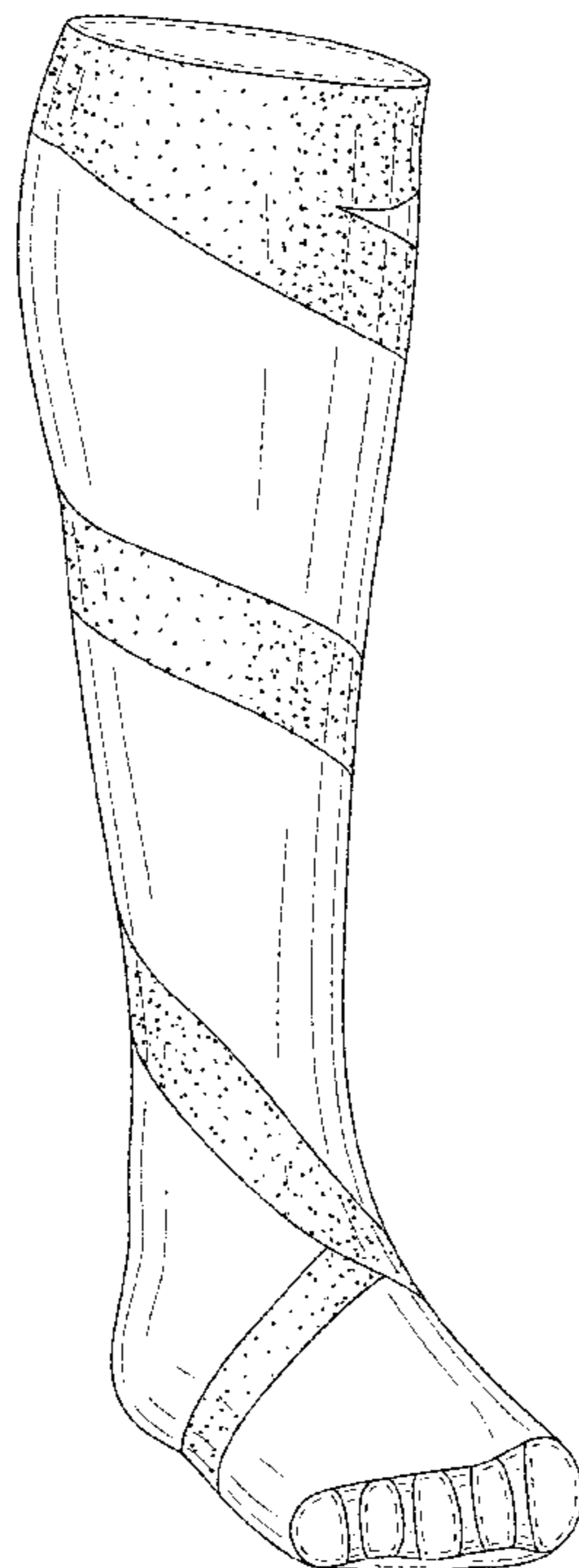
FIG. 6 is a top plan view thereof.

FIG. 7 is a bottom plan view thereof; and,

FIG. 8 is a perspective view thereof showing a user's foot, toes and leg in broken lines.

In FIG. 8, the broken lines showing a user's foot, toes, and leg depict environment and form no part of the claimed design. All other broken lines depict portions of a flexible wearable foot sling and form no part of the claim.

1 Claim, 8 Drawing Sheets



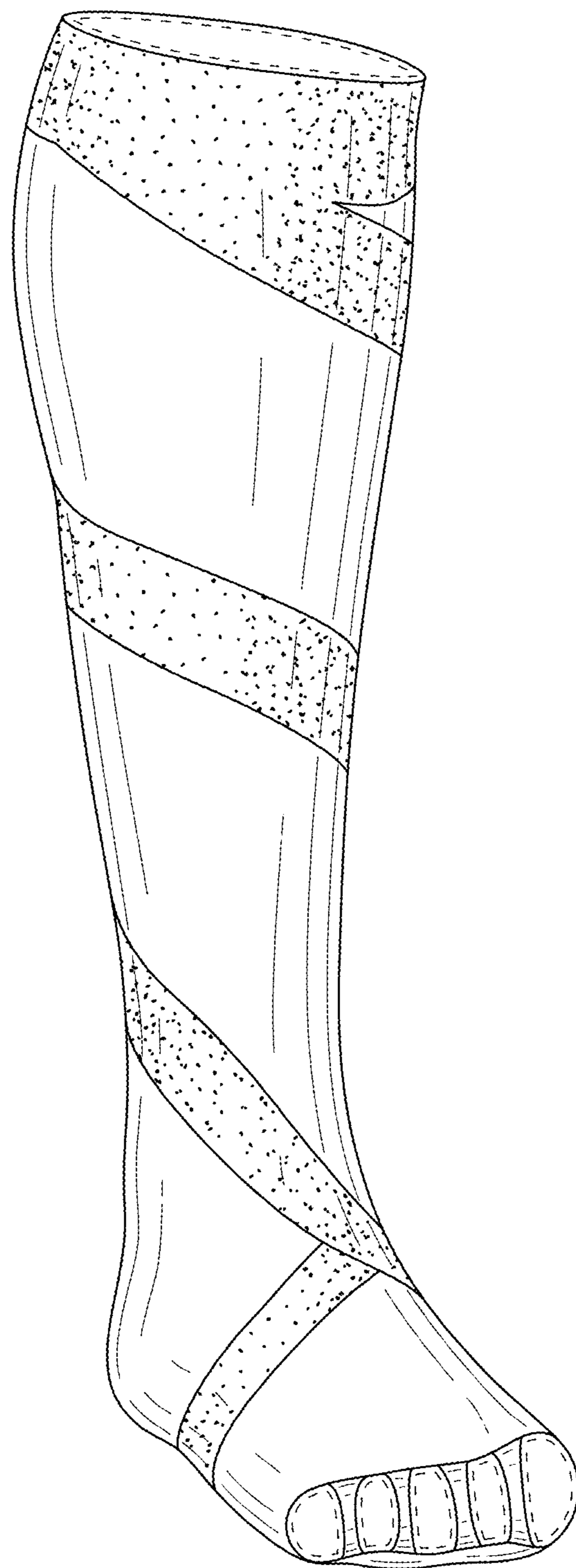


FIG. 1

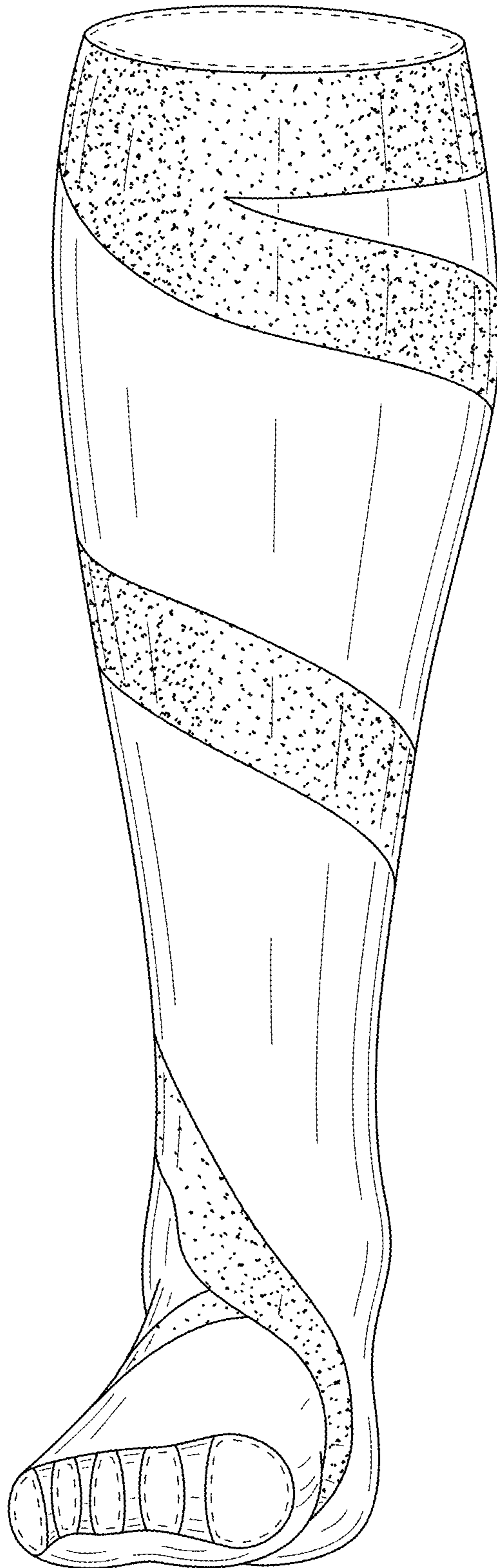


FIG. 2

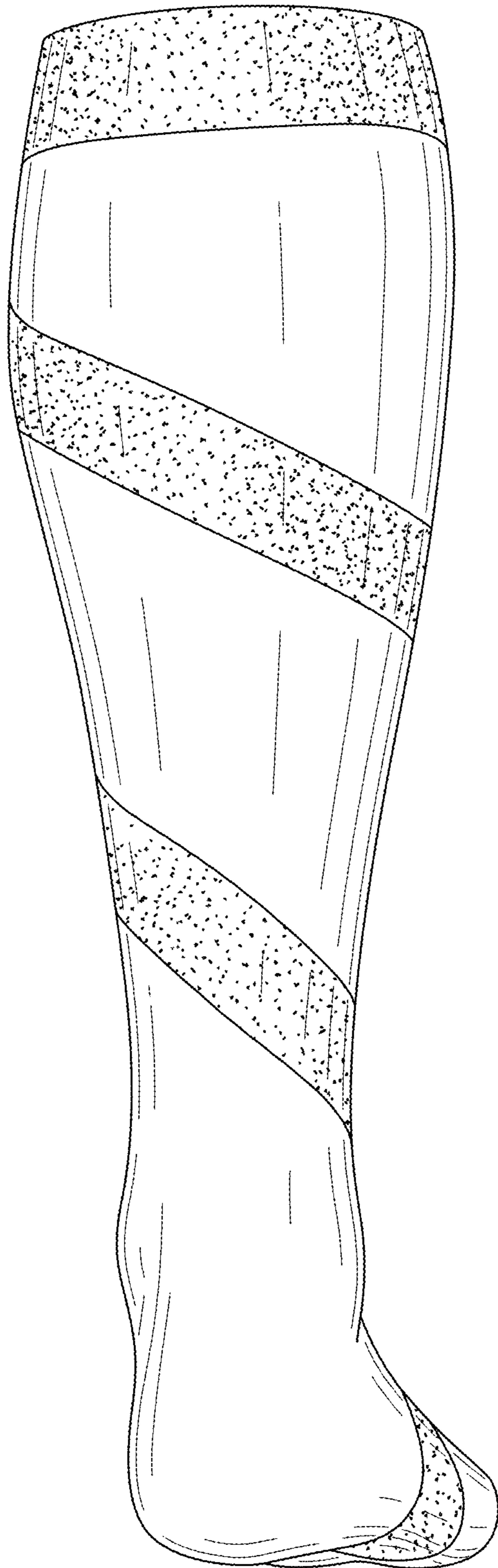


FIG. 3

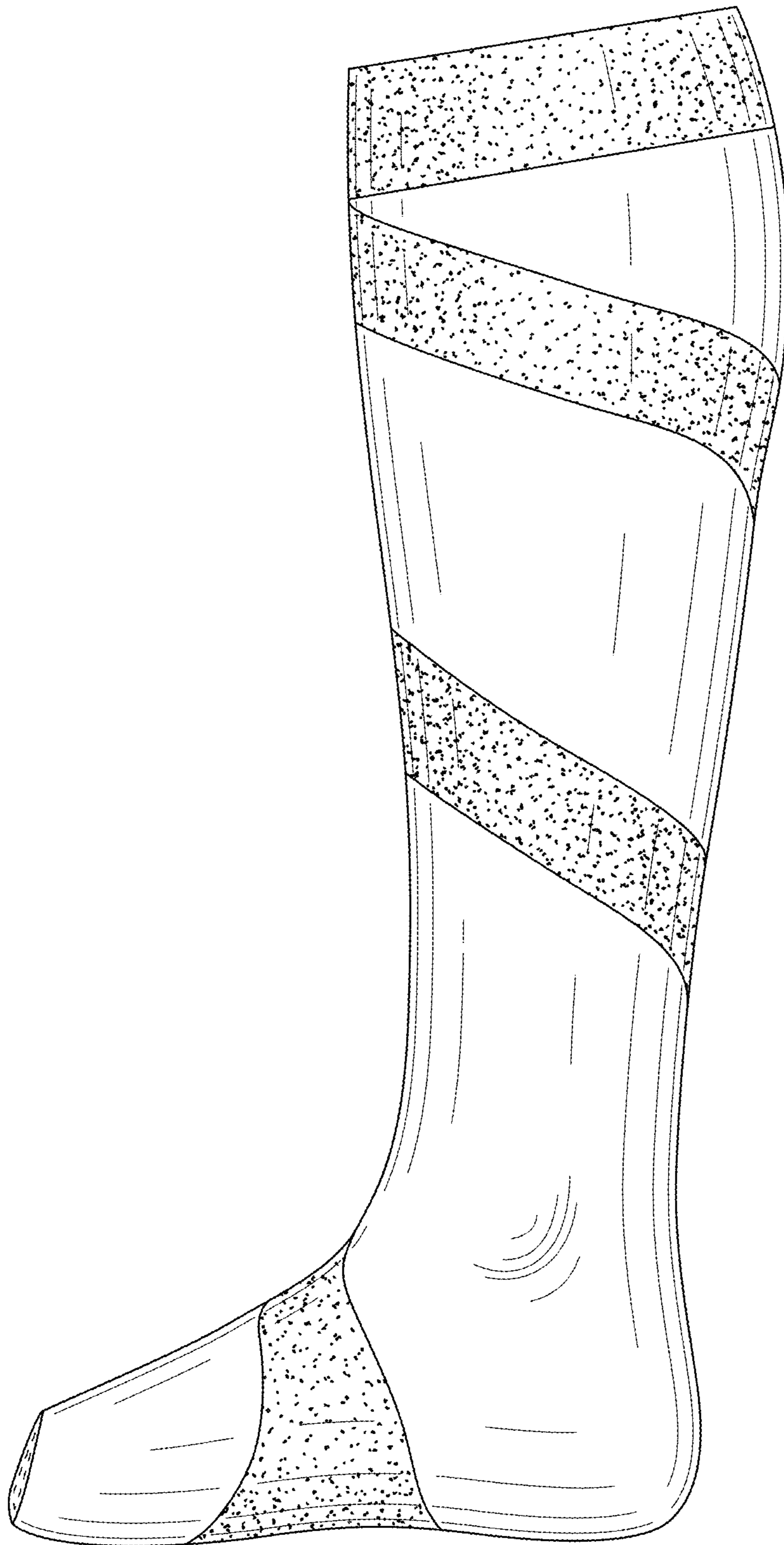


FIG. 4

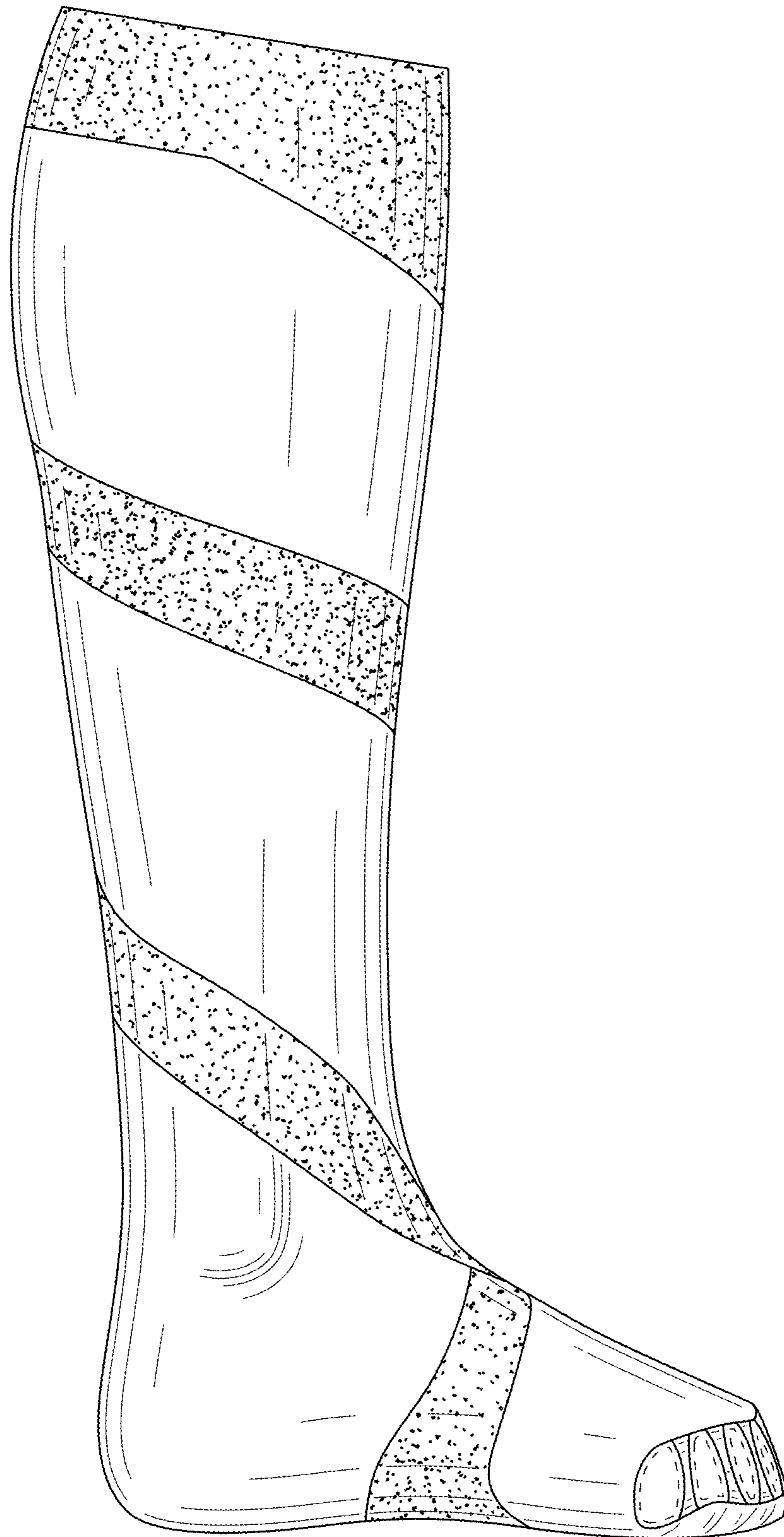


FIG. 5

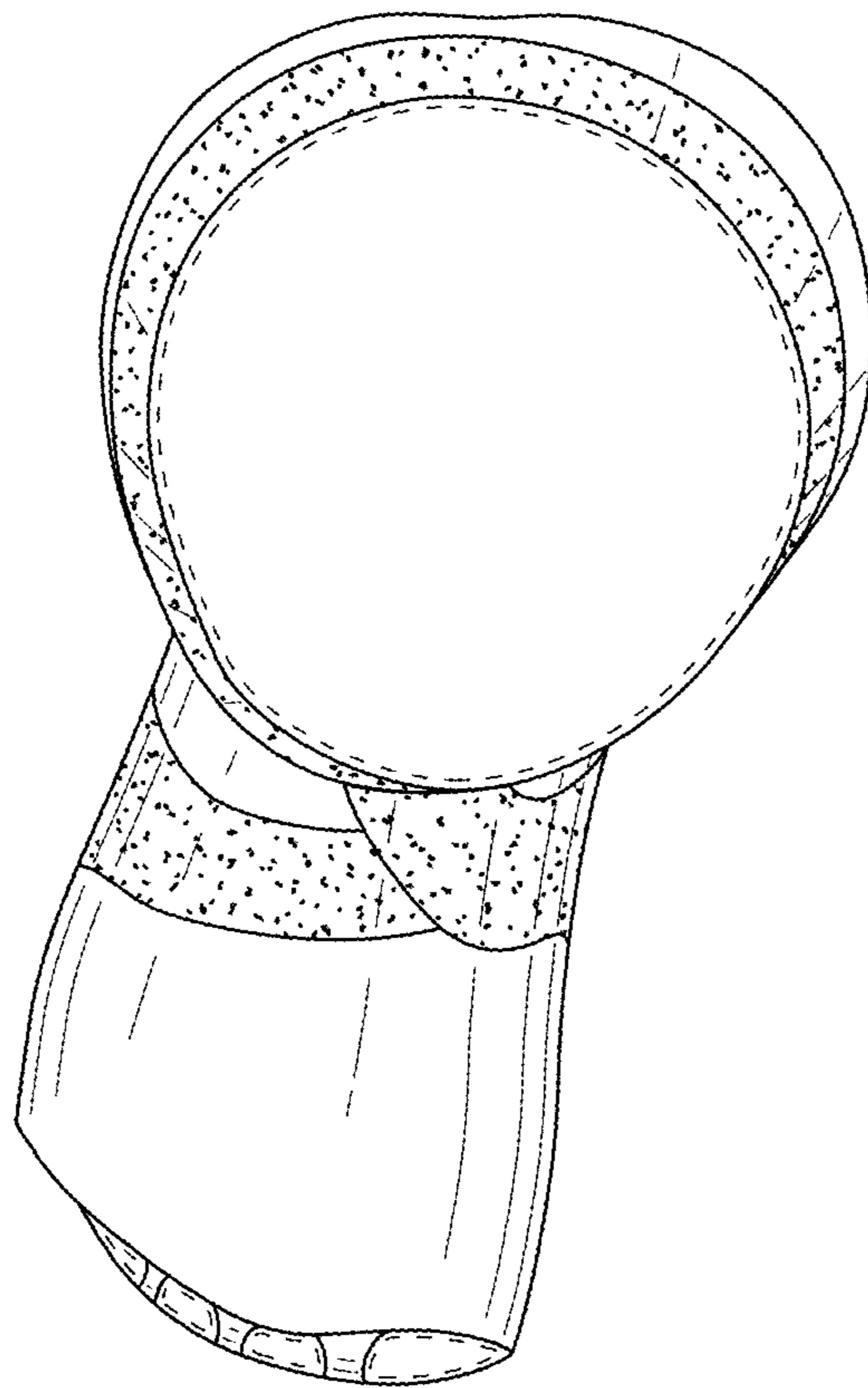


FIG. 6

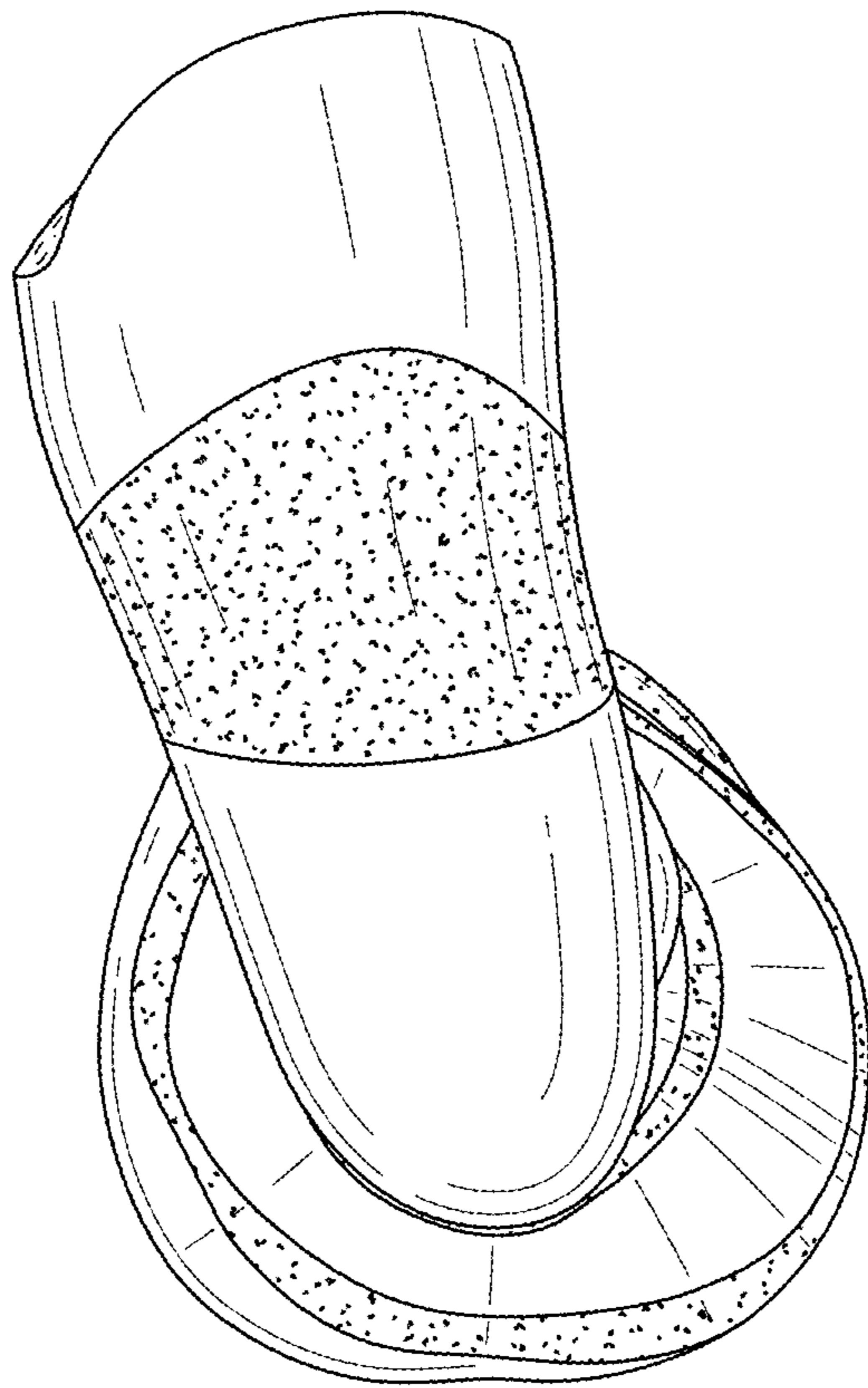


FIG. 7

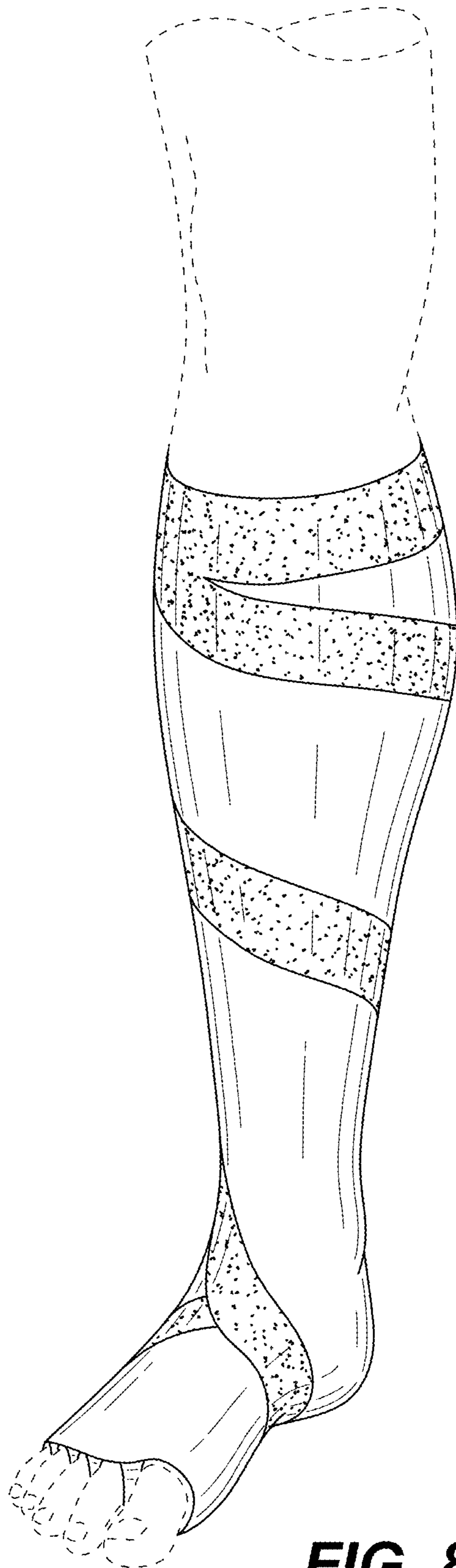


FIG. 8