



US00D889672S

(12) **United States Design Patent**
Takama et al.

(10) **Patent No.:** **US D889,672 S**
(45) **Date of Patent:** **** Jul. 7, 2020**

(54) **WEARABLE MOTION ASSIST DEVICE**

(71) Applicant: **CYBERDYNE Inc.**, Ibaraki (JP)

(72) Inventors: **Masahiro Takama**, Ibaraki (JP);
Takumi Taketomi, Ibaraki (JP)

(73) Assignee: **CYBERDYNE Inc.**, Ibaraki (JP)

(**) Term: **15 Years**

(21) Appl. No.: **29/665,185**

(22) Filed: **Oct. 1, 2018**

(30) **Foreign Application Priority Data**

Apr. 9, 2018 (JP) 2018-007712

(51) **LOC (12) Cl.** **24-04**

(52) **U.S. Cl.**

USPC **D24/190; D15/199**

(58) **Field of Classification Search**

USPC D24/190; D15/199

CPC A61H 1/024; A61H 1/0244; A61H 3/00;
A61H 2201/018; A61H 2201/163; A61H
2201/165; A61H 2201/0192; A61H
2201/1215; A61H 2201/1642; A61H
2201/5043; A61H 2201/5061; A61H
2201/5069; A61H 2003/007; A61H
2230/605; A61F 2/70; A61F 5/0125; B25J
9/0006; B25J 13/06

See application file for complete search history.

(56) **References Cited**

U.S. PATENT DOCUMENTS

D749,227 S * 2/2016 Takama D15/199
10,624,809 B2 * 4/2020 Tsai A61H 1/0262

2010/0121232 A1 * 5/2010 Sankai A61H 1/0255
601/23
2015/0197008 A1 * 7/2015 Yoon B25J 9/0006
700/250
2016/0331625 A1 * 11/2016 Sankai B25J 9/0006
2018/0055712 A1 * 3/2018 Gayral A61H 1/024
2018/0200878 A1 * 7/2018 Tsai A61H 1/0262
2018/0257216 A1 * 9/2018 Shavit A61H 1/0255
2019/0001493 A1 * 1/2019 Hyun B25J 9/1065
2019/0133866 A1 * 5/2019 Tsai B25J 9/0006
2019/0192373 A1 * 6/2019 Vouga A61H 3/00
2019/0201274 A1 * 7/2019 Teng A61H 3/00
2019/0282428 A1 * 9/2019 Belinkov A61H 3/00
2019/0321250 A1 * 10/2019 Bristol A61H 1/0262
2019/0344435 A1 * 11/2019 Zoso A61H 3/00

* cited by examiner

Primary Examiner — Patricia A Palasik

(74) *Attorney, Agent, or Firm* — IPUSA, PLLC

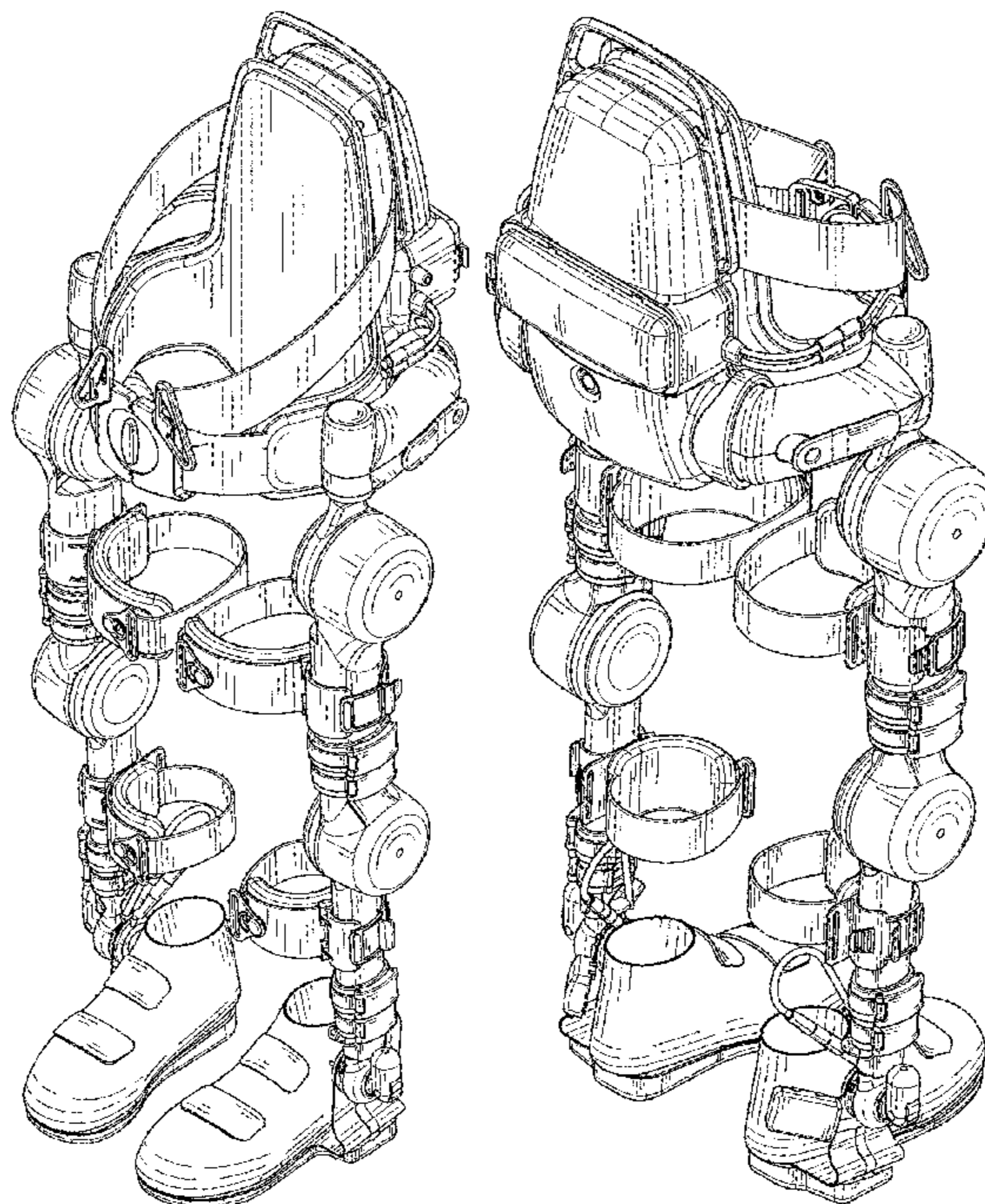
(57) **CLAIM**

The ornamental design for a wearable motion assist device, as shown and described.

DESCRIPTION

FIG. 1 is a front perspective view of a wearable motion assist device, showing our new design;
FIG. 2 is a rear perspective view thereof;
FIG. 3 is a front view thereof;
FIG. 4 is a rear view thereof;
FIG. 5 is a top plan view thereof;
FIG. 6 is a bottom plan view thereof;
FIG. 7 is a left side view thereof; and,
FIG. 8 is a right side view thereof.

1 Claim, 7 Drawing Sheets



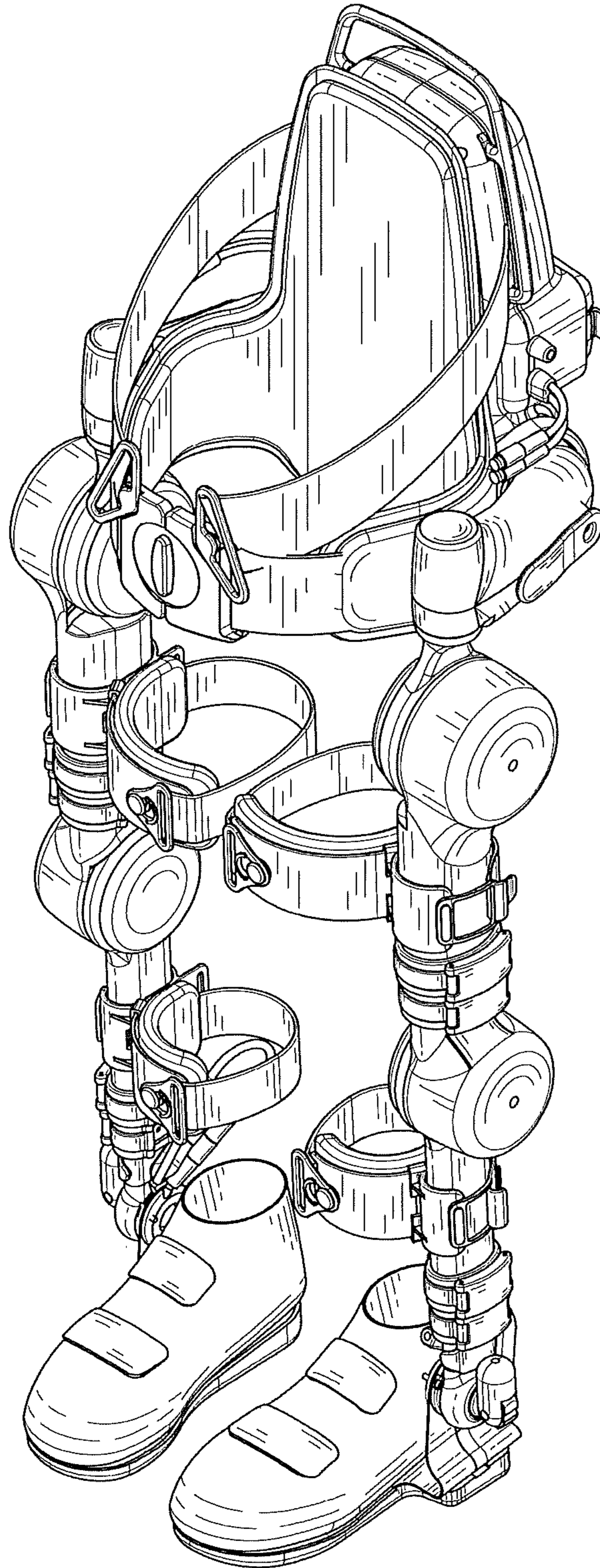


Fig. 1

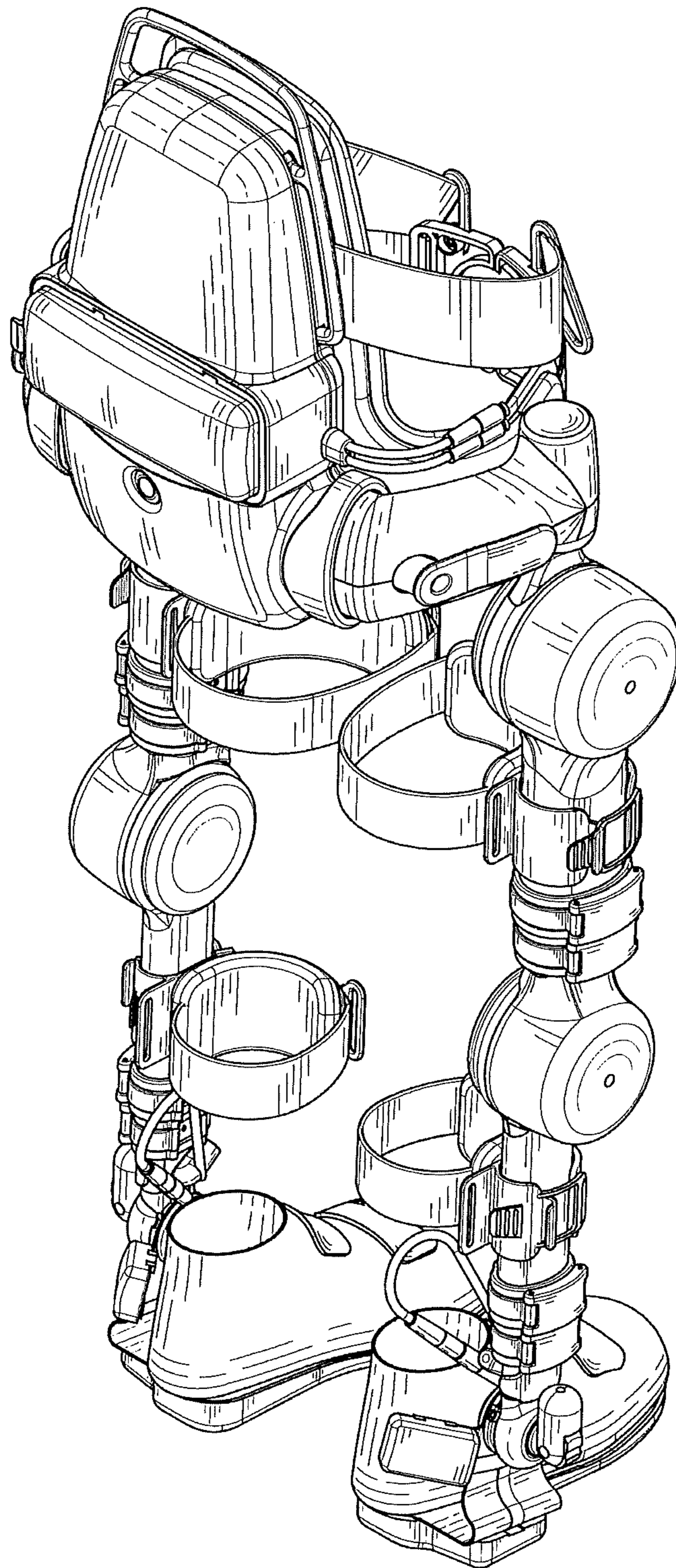


Fig. 2

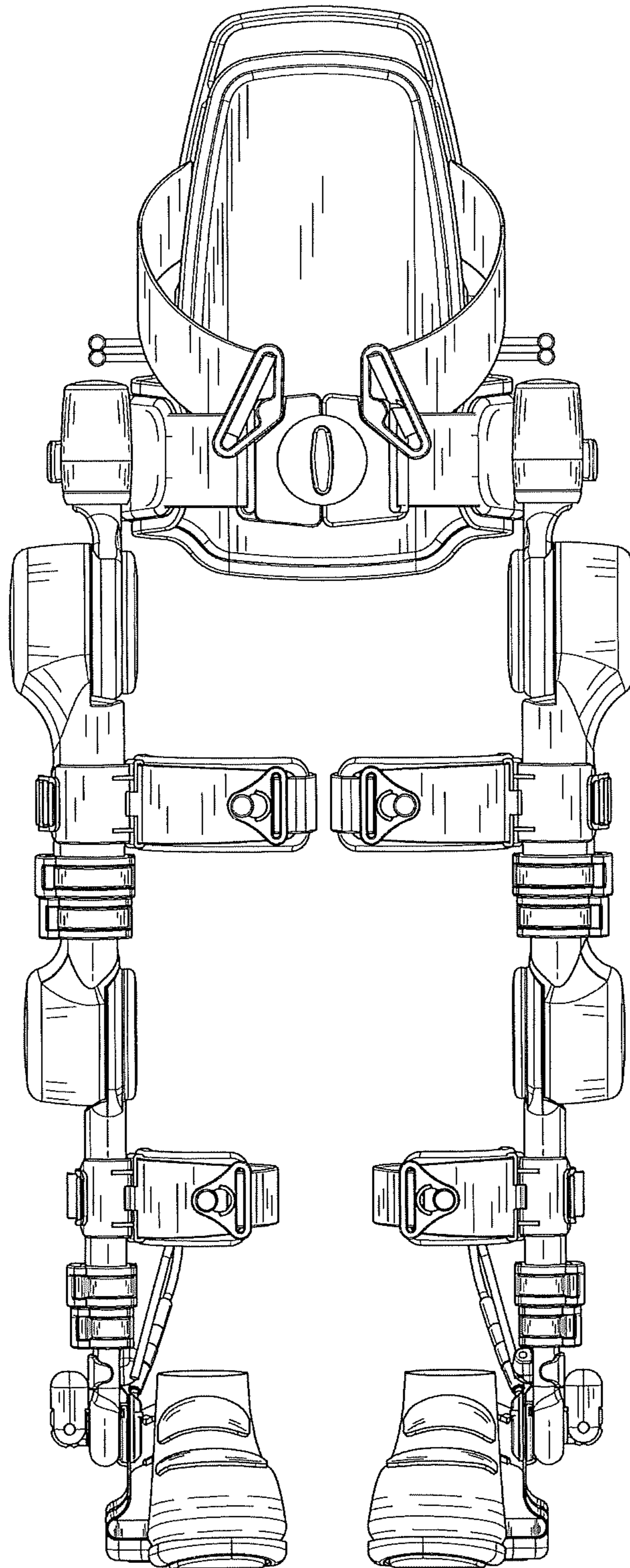


Fig. 3

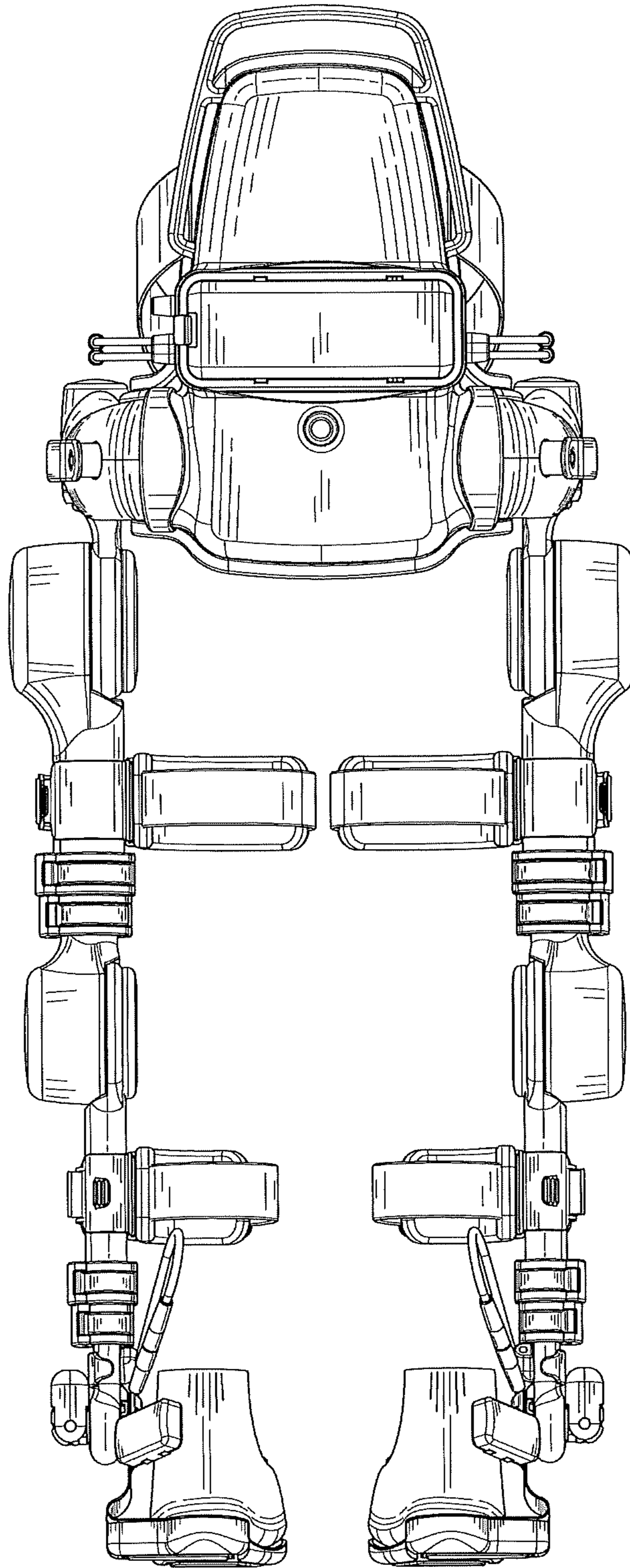


Fig. 4

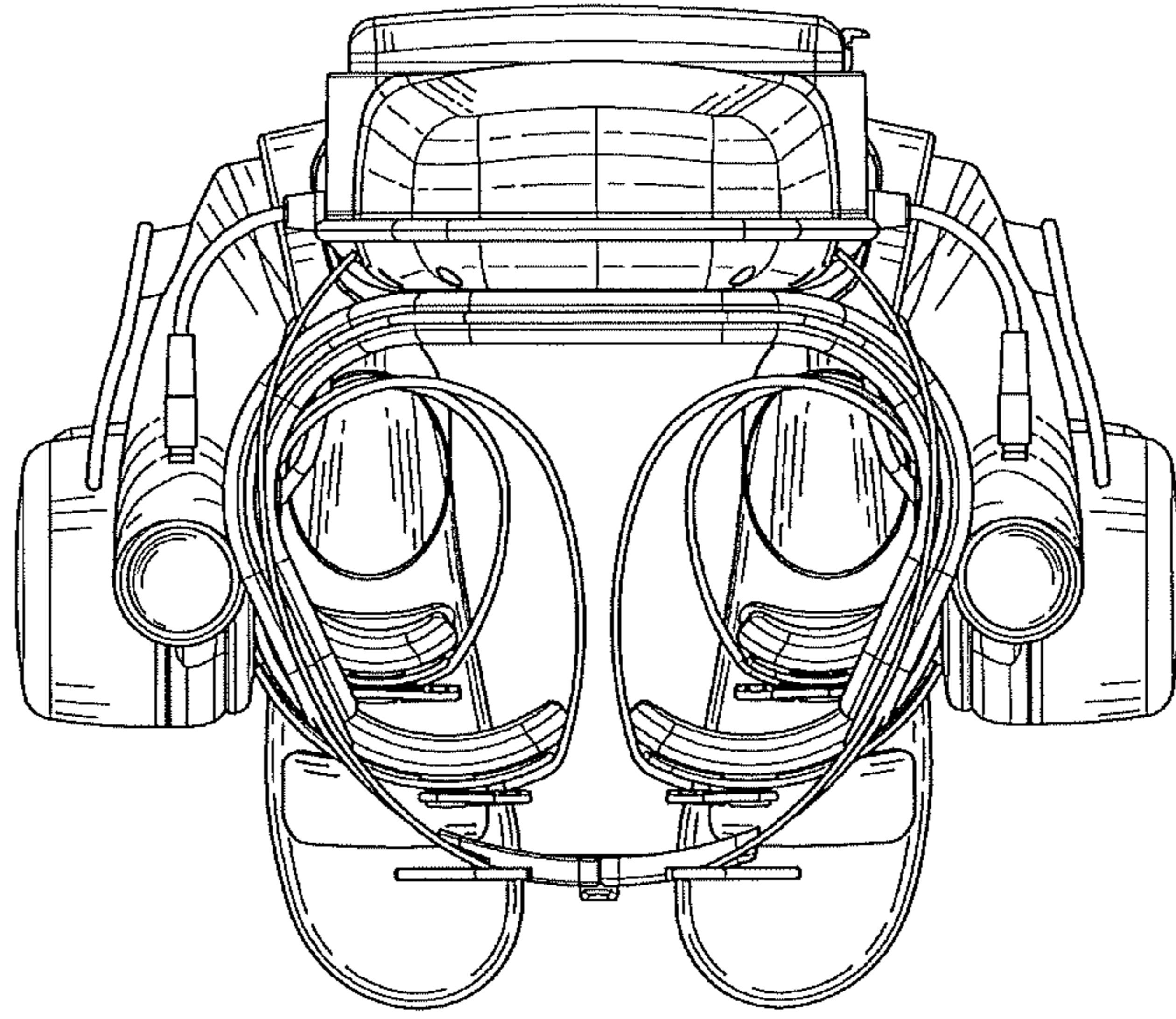


Fig. 5

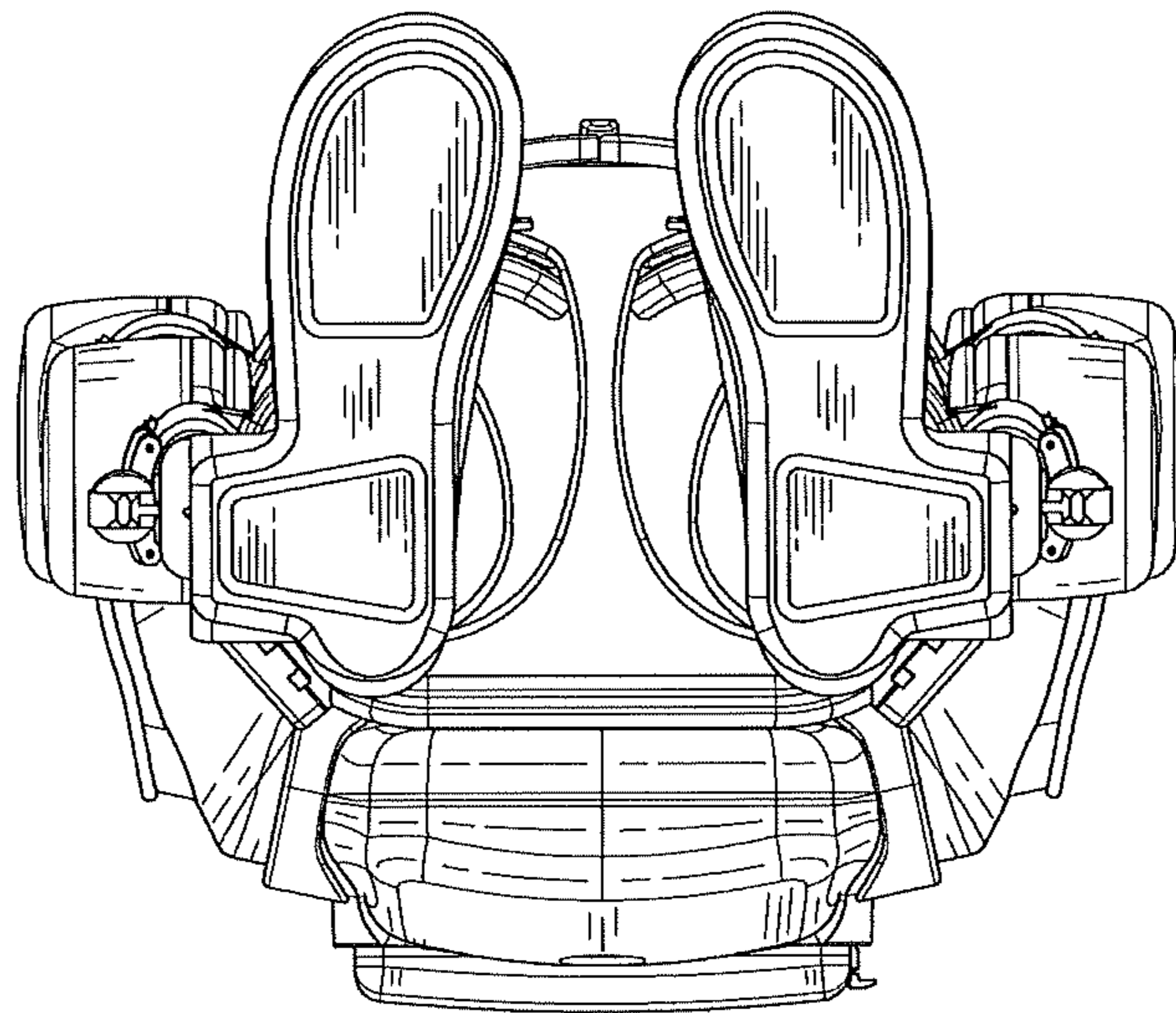


Fig. 6

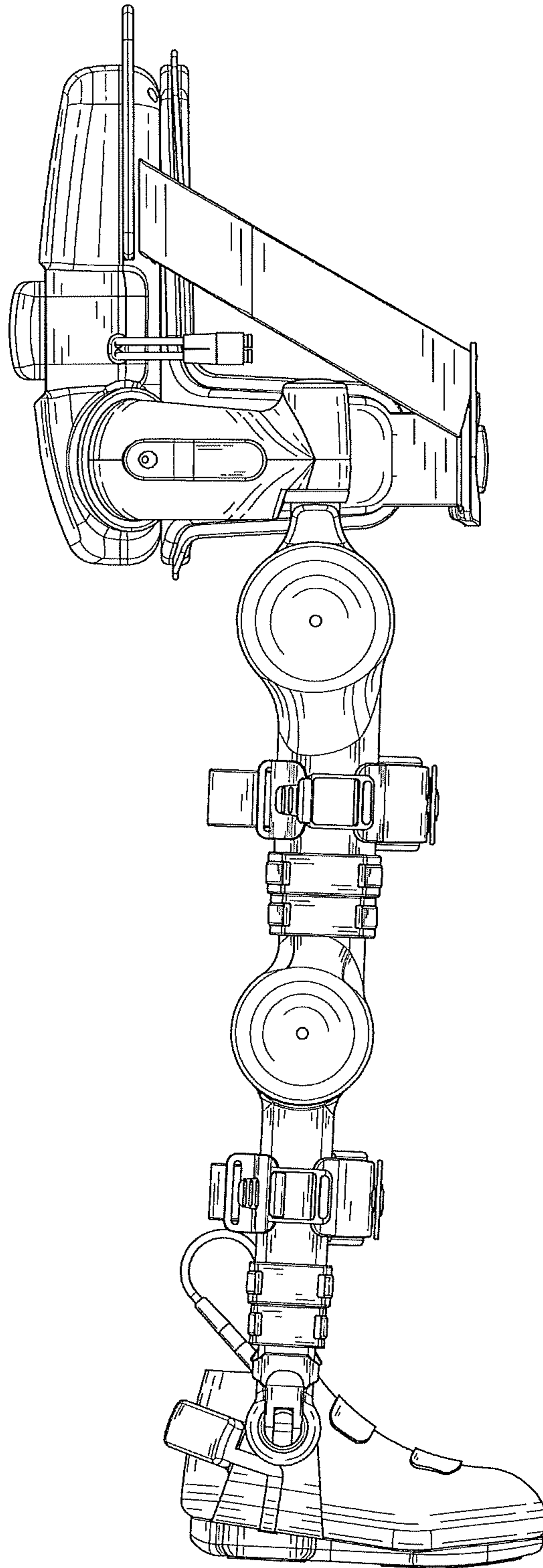


Fig. 7

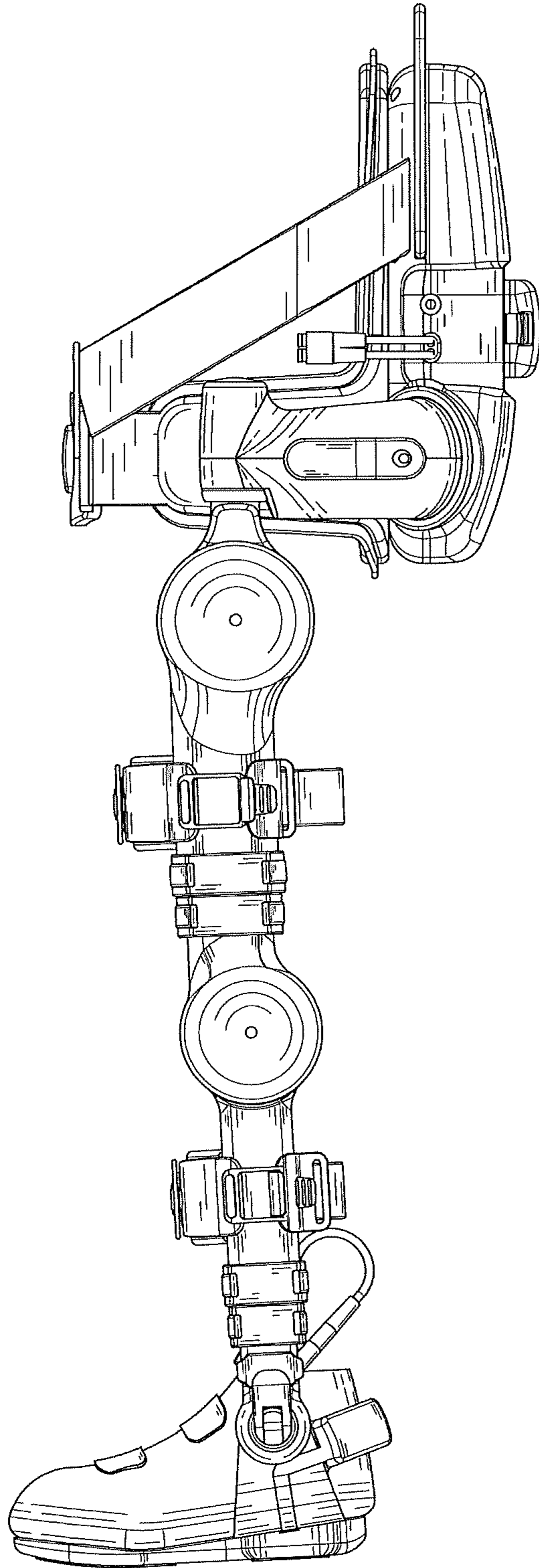


Fig. 8