



US00D889669S

(12) **United States Design Patent**
Cheng et al.

(10) **Patent No.:** **US D889,669 S**
(45) **Date of Patent:** **** Jul. 7, 2020**

(54) **INTRACAVITARY ULTRASONIC PROBE**

(71) Applicant: **EDAN INSTRUMENTS, INC.**,
Shenzhen (CN)

(72) Inventors: **Jiudong Cheng**, Shenzhen (CN); **Hua Luo**, Shenzhen (CN)

(73) Assignee: **EDAN INSTRUMENTS, INC.**,
Shenzhen (CN)

(**) Term: **15 Years**

(21) Appl. No.: **29/669,993**

(22) Filed: **Nov. 13, 2018**

(30) **Foreign Application Priority Data**

Jul. 10, 2018 (CN) 2018 3 0369162

(51) **LOC (12) Cl.** **24-01**

(52) **U.S. Cl.**
USPC **D24/186; D24/152; D24/187**

(58) **Field of Classification Search**
USPC D24/133, 137, 158, 186, 187, 138, 152,
D24/176; D10/78
CPC A61B 8/445; A61B 8/4455; A61B 8/4461;
A61B 8/12
See application file for complete search history.

(56) **References Cited**

U.S. PATENT DOCUMENTS

D616,992 S *	6/2010	Kitayama	D24/186
D697,627 S *	1/2014	Takano	D24/187
D701,606 S *	3/2014	Ohmukai	D24/187
D703,331 S *	4/2014	Kitayama	D24/187
D703,333 S *	4/2014	Saeki	D24/187
D703,822 S *	4/2014	Moon	D24/187

(Continued)

FOREIGN PATENT DOCUMENTS

CN 201630005770 * 1/2016

Primary Examiner — Anhdao Doan

(74) *Attorney, Agent, or Firm* — Westman, Champlin & Koehler, P.A.

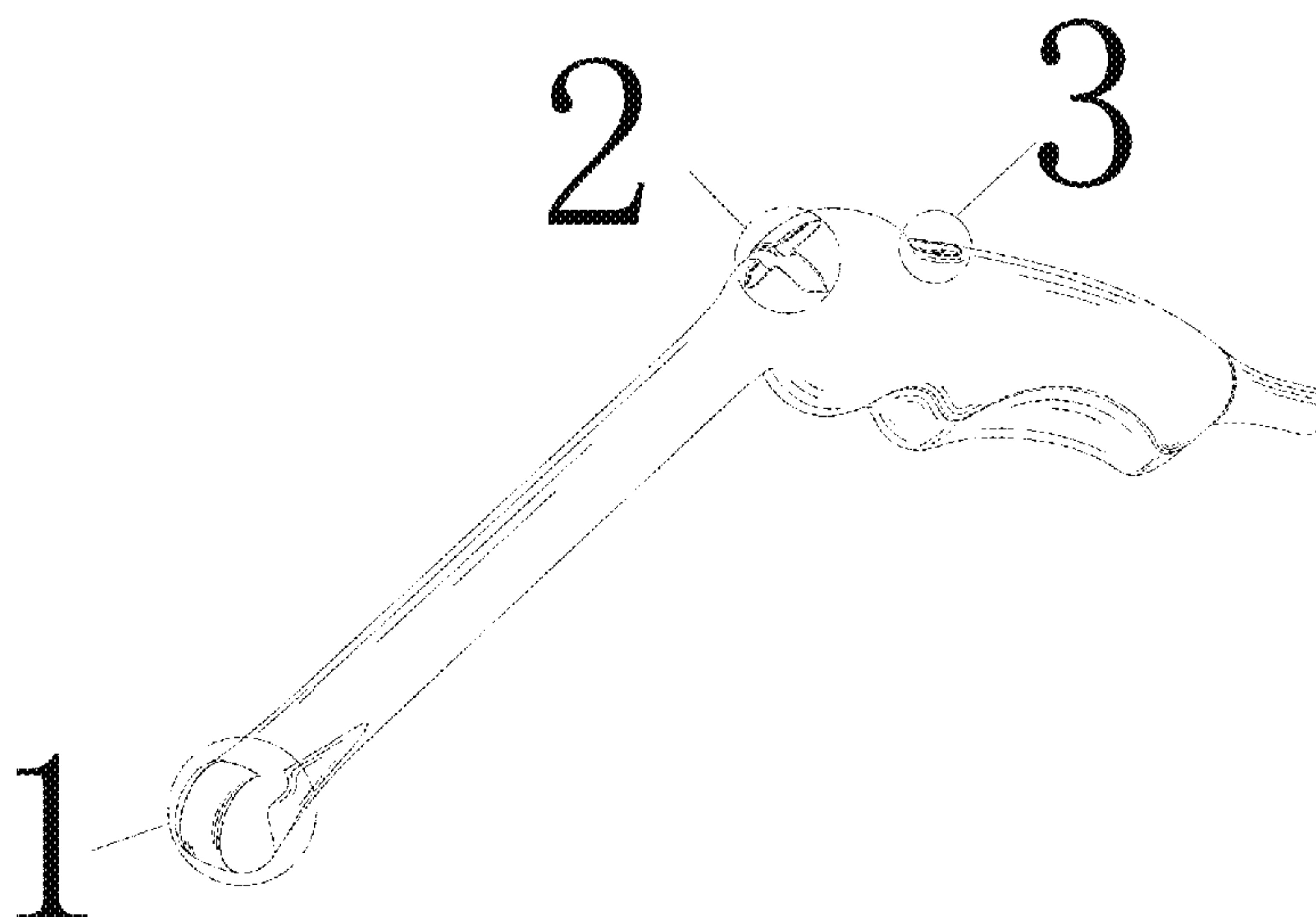
(57) **CLAIM**

The ornamental design for an intracavitary ultrasonic probe, as shown and described.

DESCRIPTION

FIG. 1 is a perspective view of an intracavitary ultrasonic probe;
 FIG. 2 is a front view of the intracavitary ultrasonic probe;
 FIG. 3 is a rear view of the intracavitary ultrasonic probe;
 FIG. 4 is a left side view of the intracavitary ultrasonic probe;
 FIG. 5 is a right side view of the intracavitary ultrasonic probe;
 FIG. 6 is a top view of the intracavitary ultrasonic probe;
 FIG. 7 is a bottom view of the intracavitary ultrasonic probe;
 FIG. 8 is a partially enlarged view of part 1 as shown in FIG. 1;
 FIG. 9 is a partially enlarged view of part 2 as shown in FIG. 1;
 FIG. 10 is a partially enlarged view of part 3 as shown in FIG. 1;
 FIG. 11 is a partially enlarged view of part 4 as shown in FIG. 4;
 FIG. 12 is a partially enlarged view of part 5 as shown in FIG. 4;
 FIG. 13 is a partially enlarged view of part 6 as shown in FIG. 5;
 FIG. 14 is a partially enlarged view of part 7 as shown in FIG. 5;
 FIG. 15 is a partially enlarged view of part 8 as shown in FIG. 6; and,
 FIG. 16 is a partially enlarged view of part 9 as shown in FIG. 7.

1 Claim, 16 Drawing Sheets



(56)

References Cited

U.S. PATENT DOCUMENTS

D728,802 S * 5/2015 Matsumura D24/187
D750,260 S * 2/2016 Sauer D24/186
D822,218 S * 7/2018 Asai D24/187
2013/0317366 A1 * 11/2013 Hirayama A61B 8/12
600/462
2017/0135818 A1 * 5/2017 Axelrod A61F 2/2445

* cited by examiner

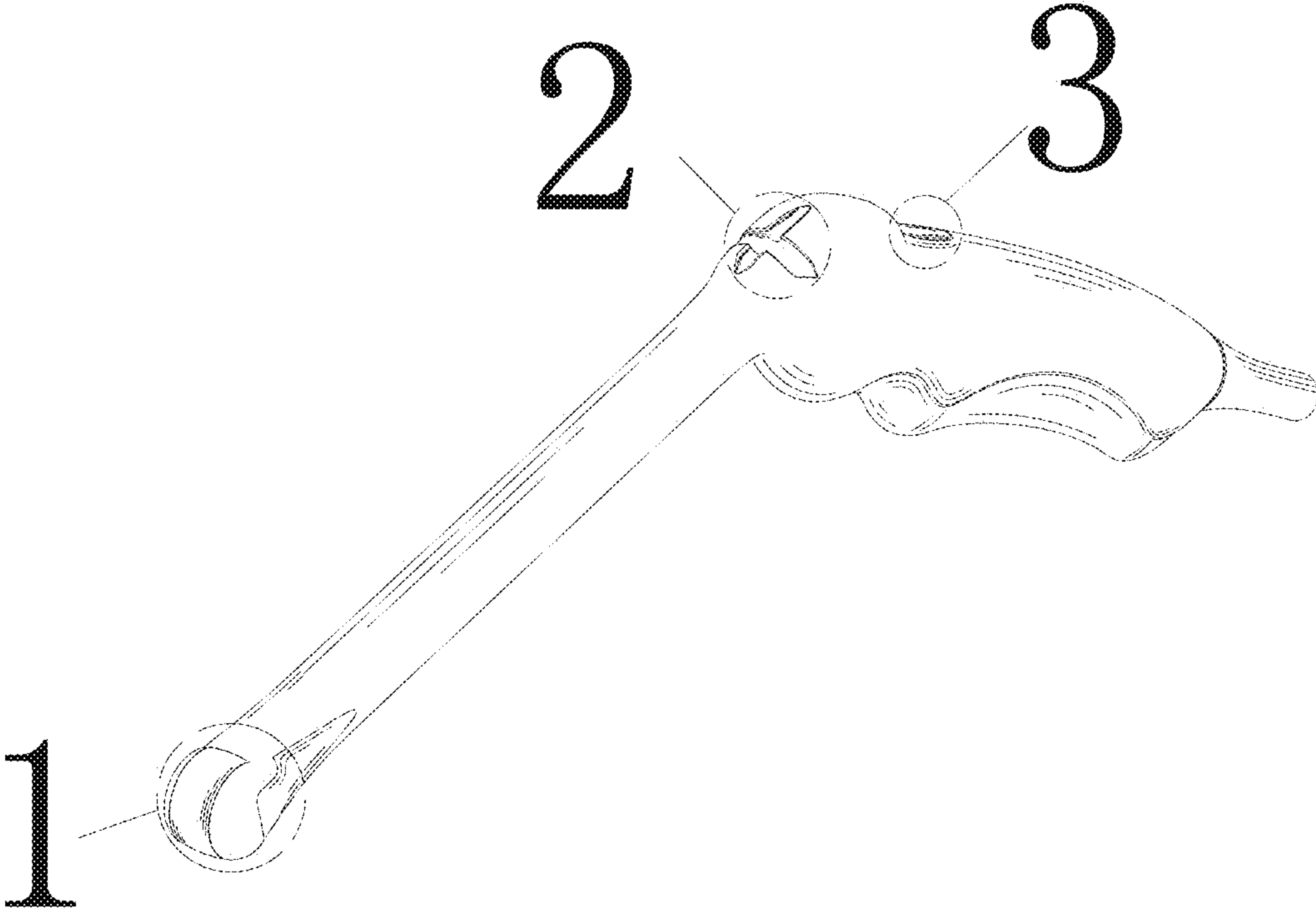


FIG. 1

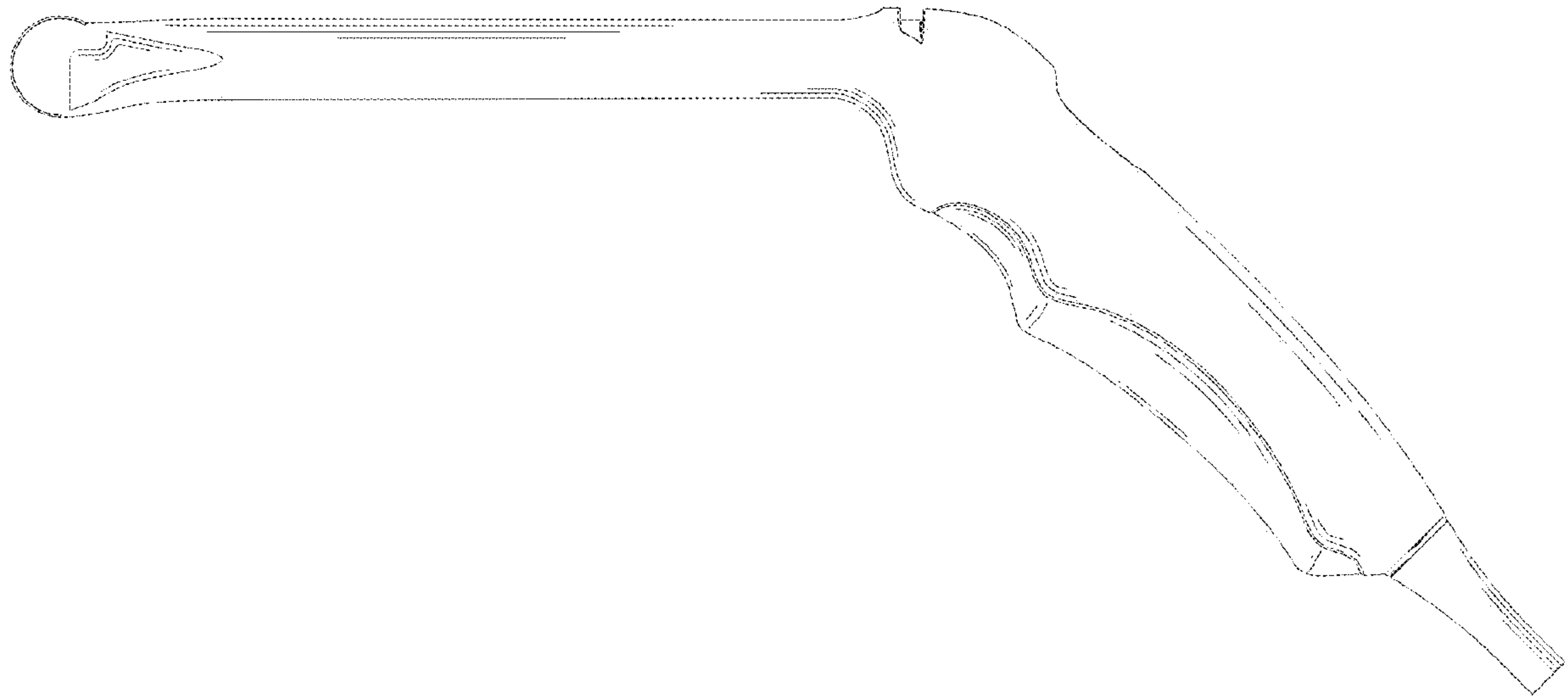


FIG. 2

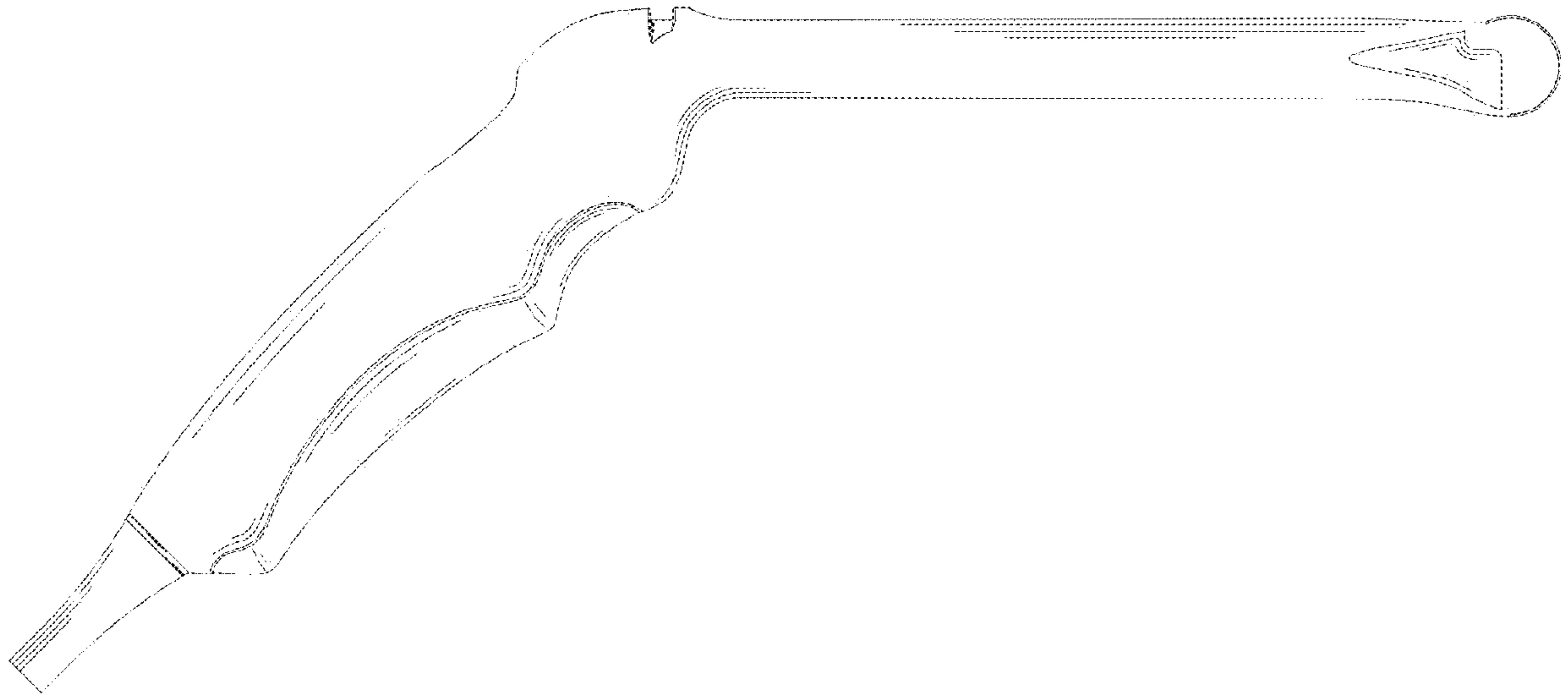


FIG. 3

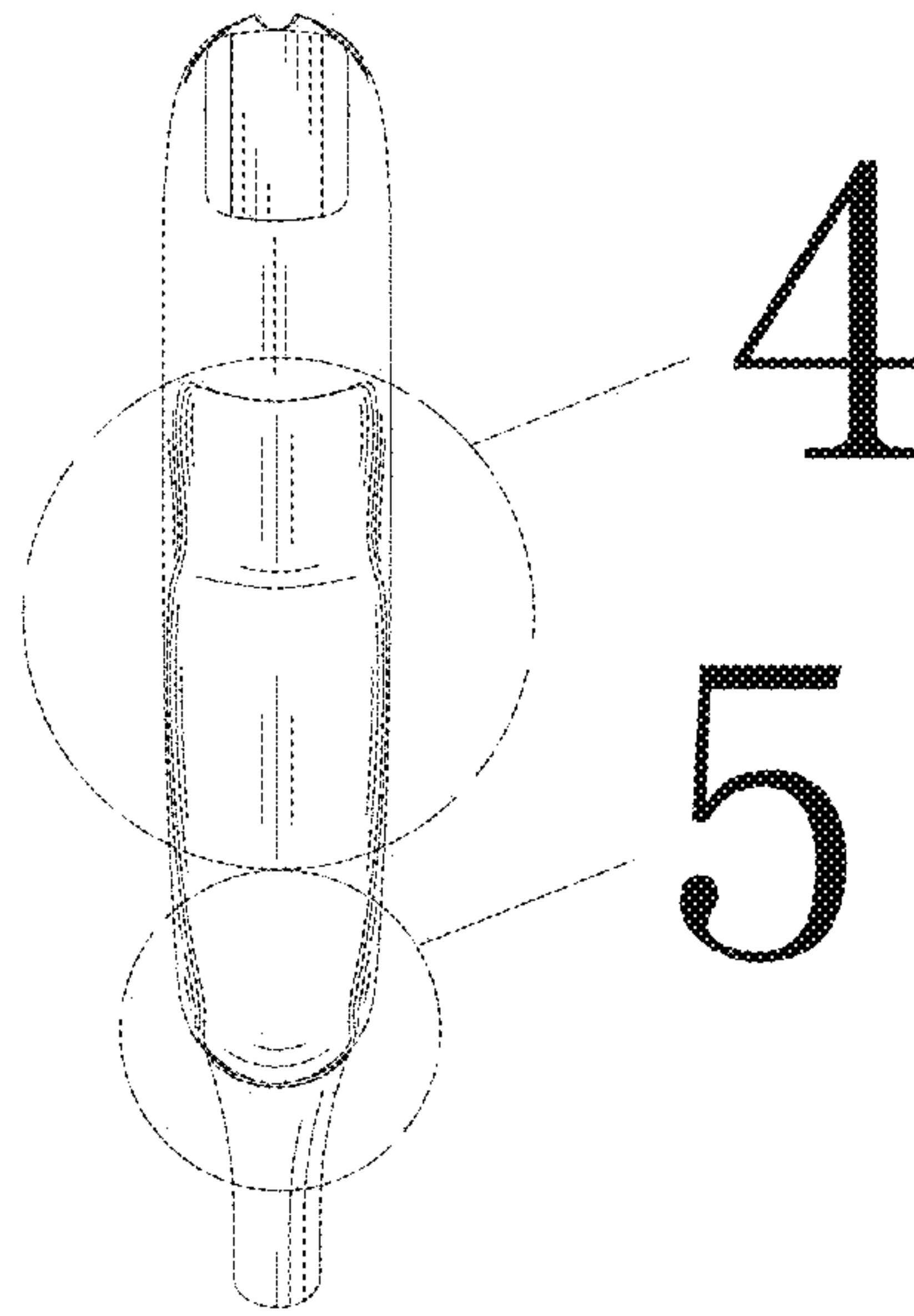


FIG. 4

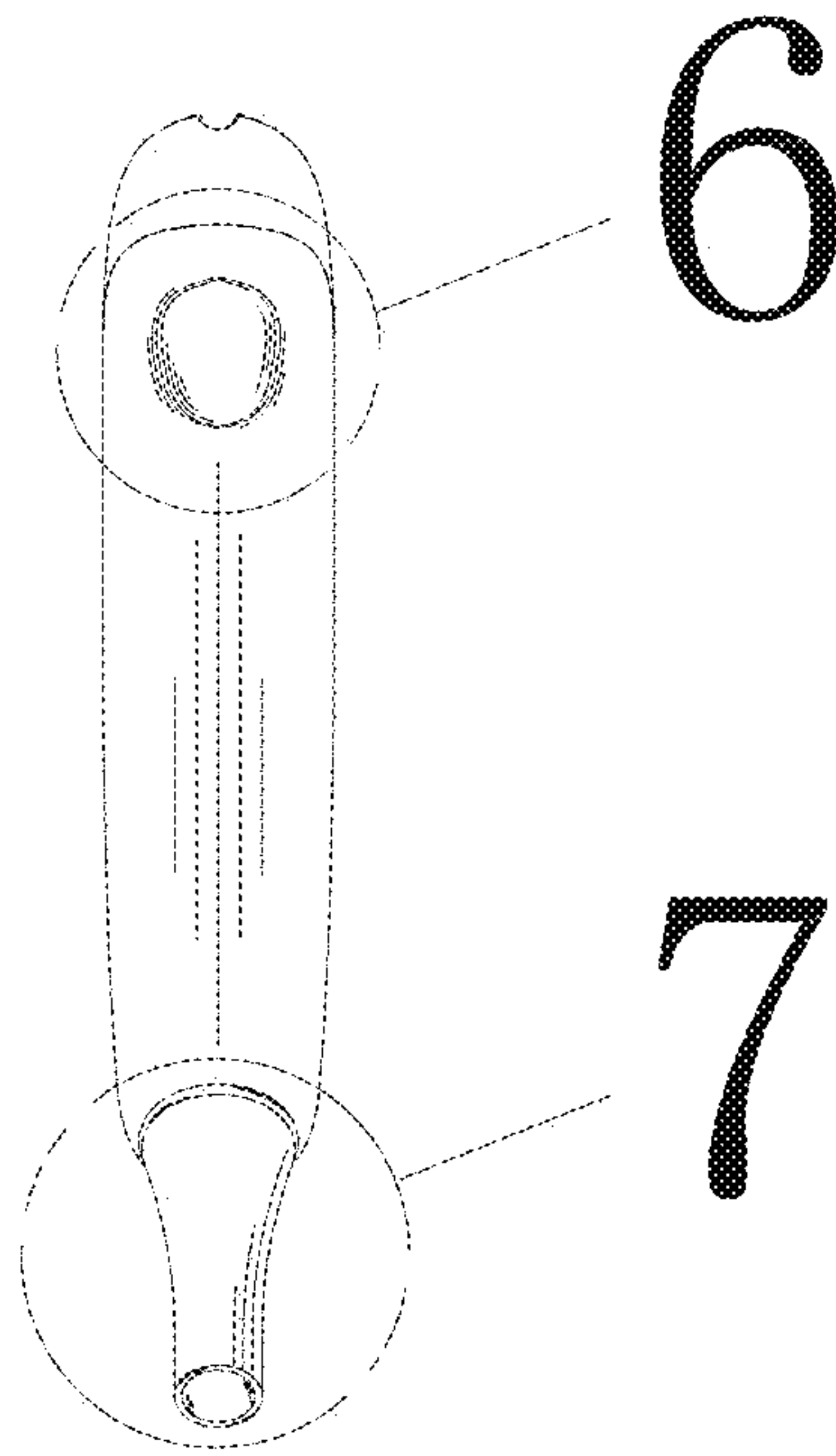


FIG. 5

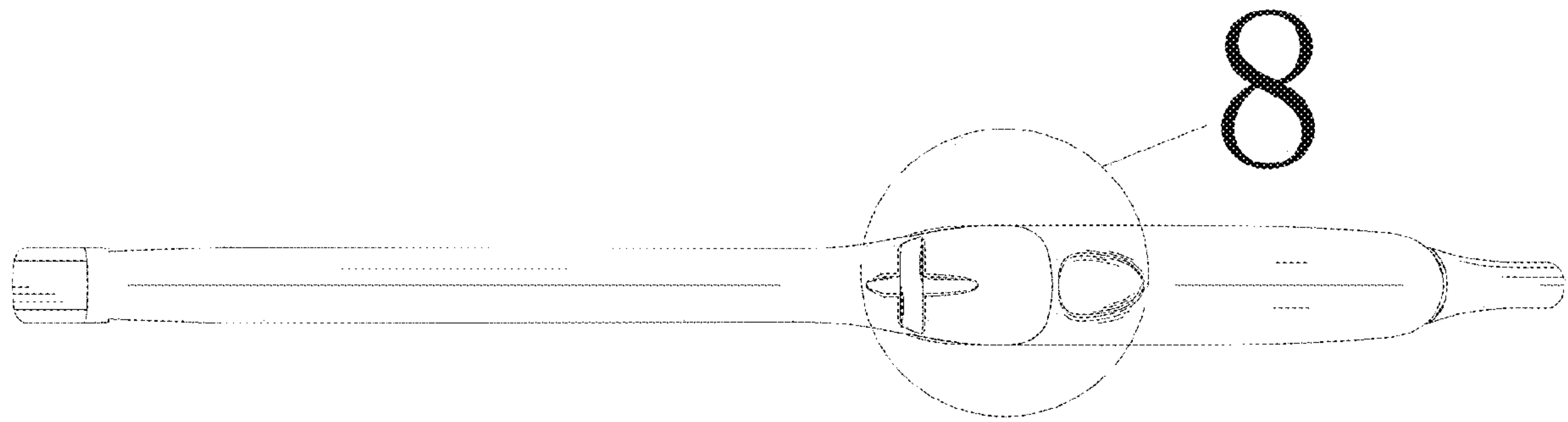


FIG. 6

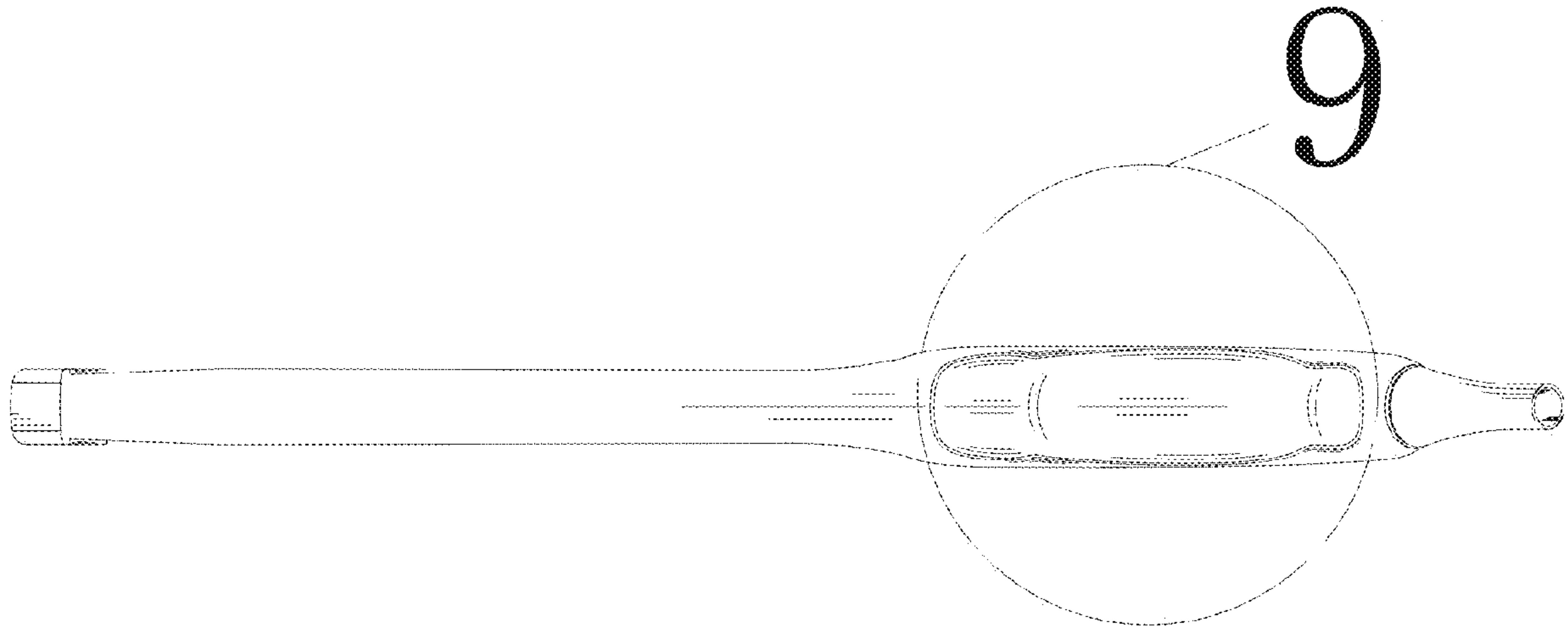


FIG. 7

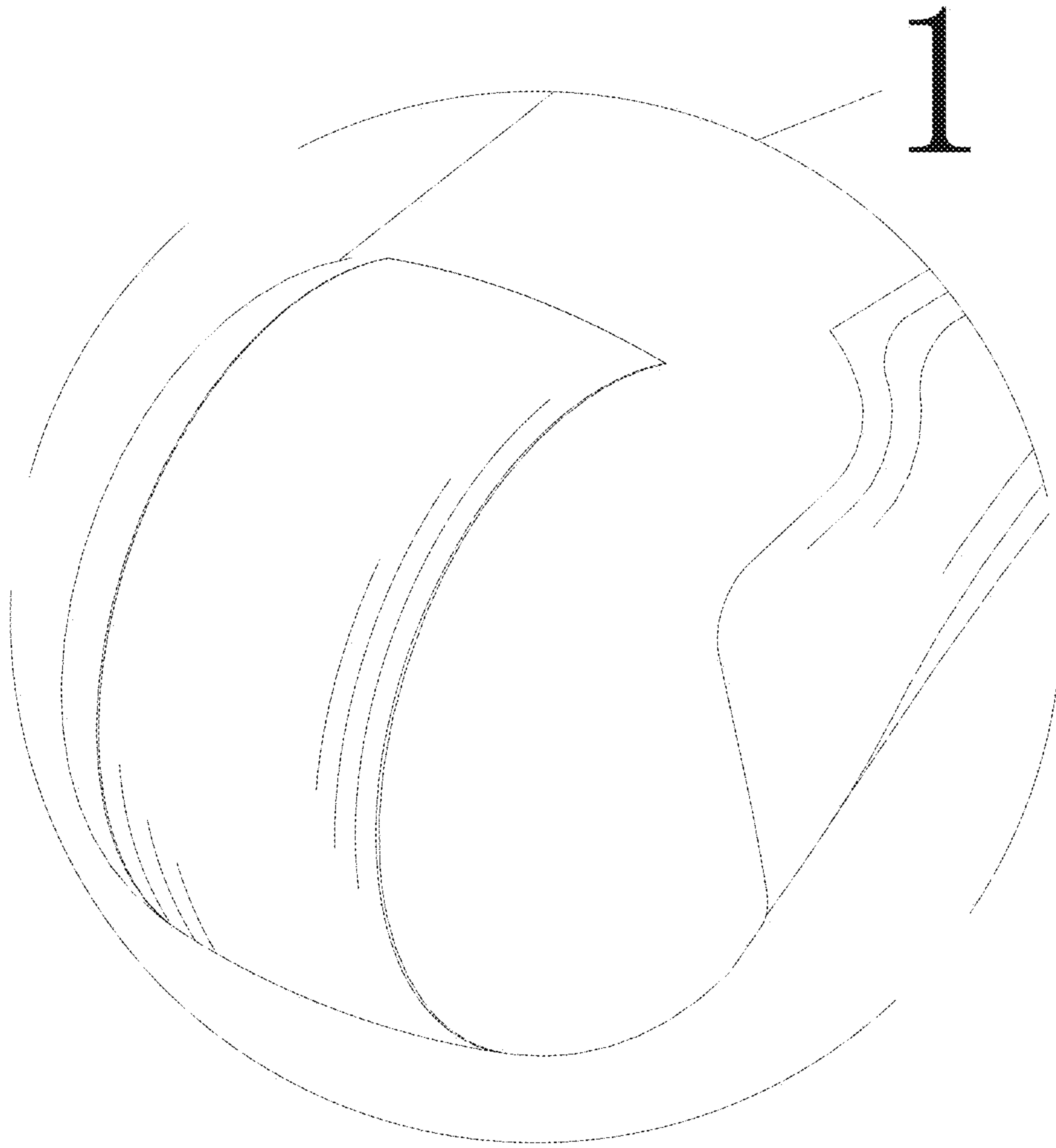


FIG. 8

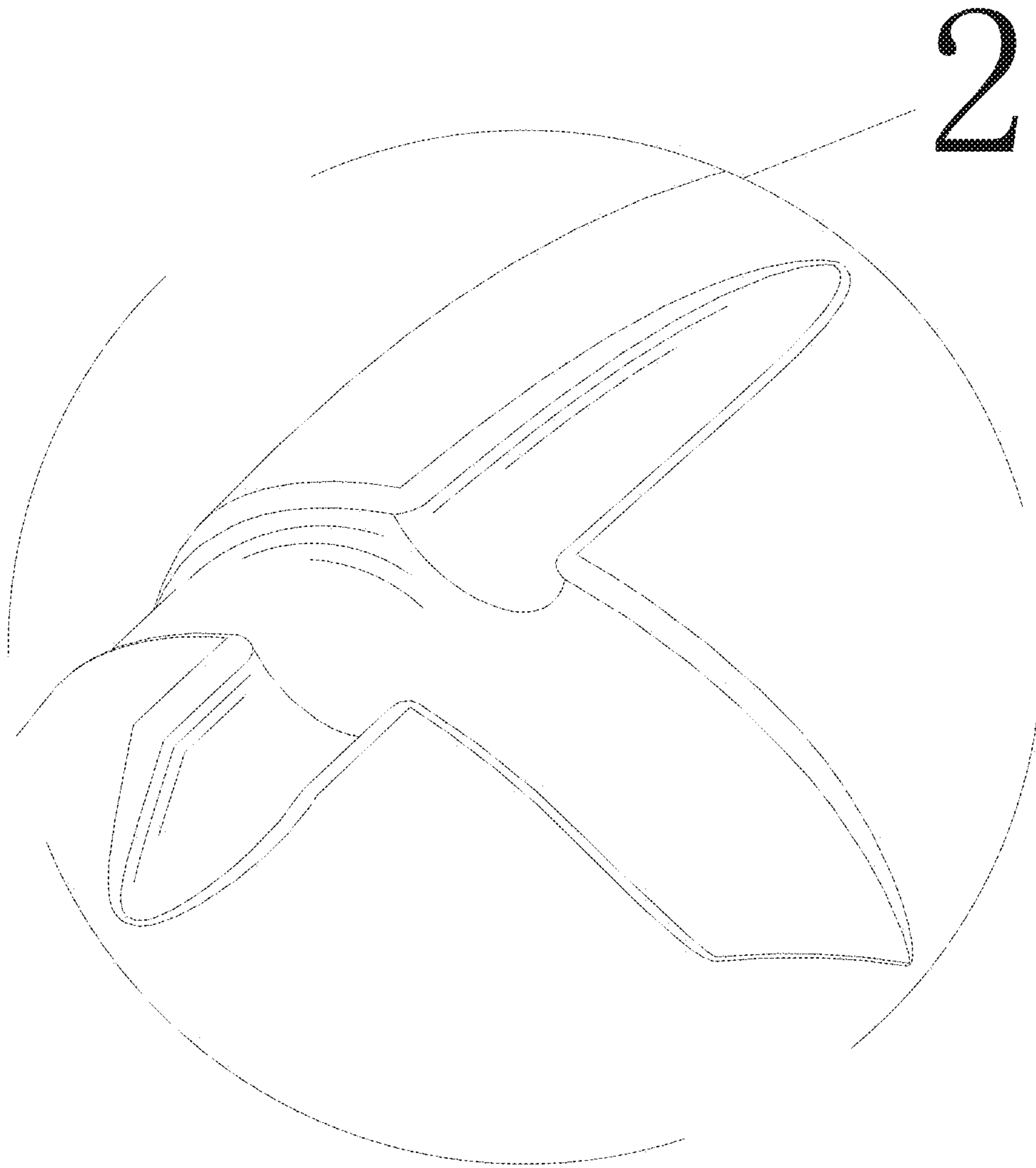


FIG. 9

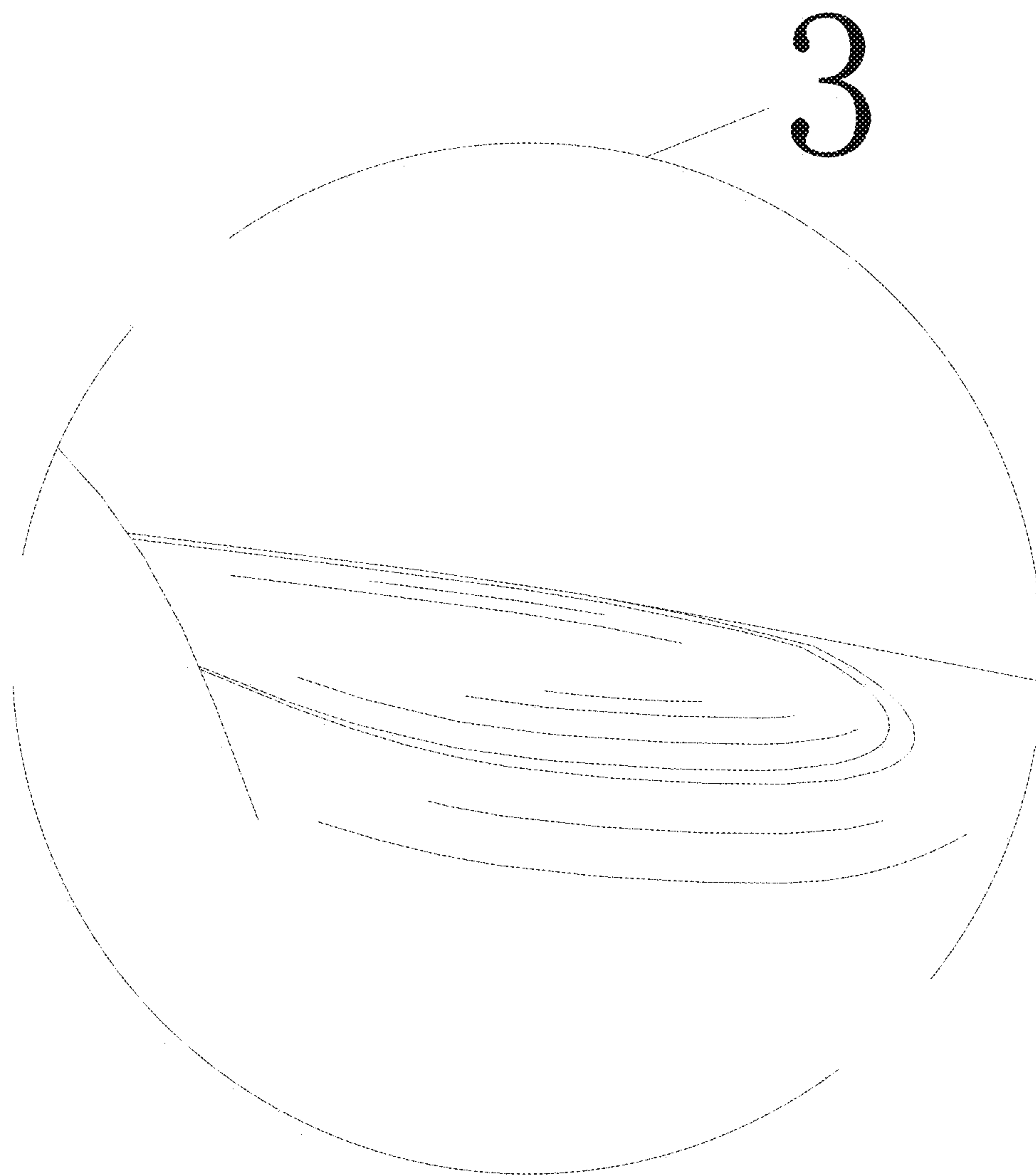


FIG. 10

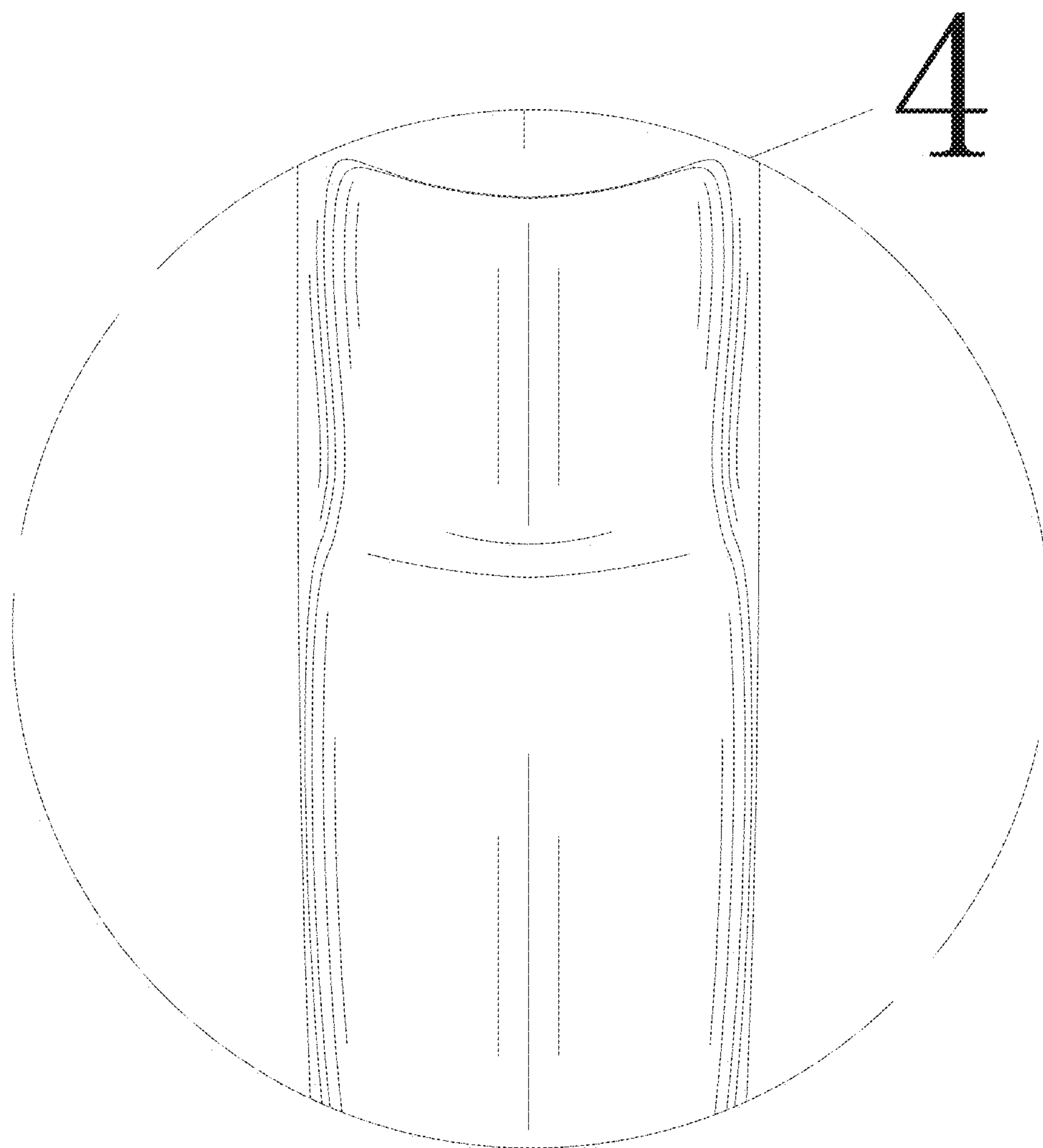


FIG. 11

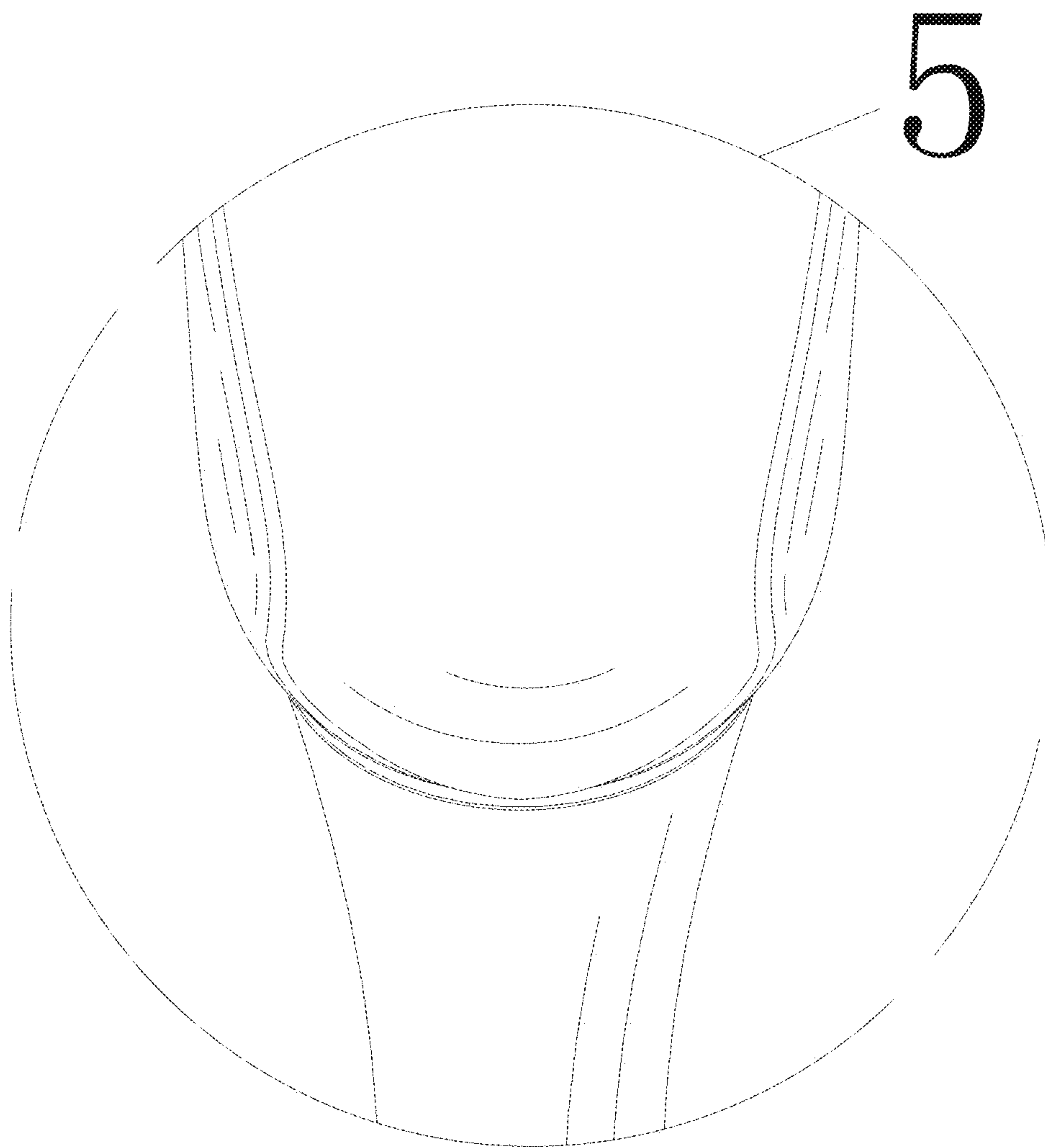


FIG. 12

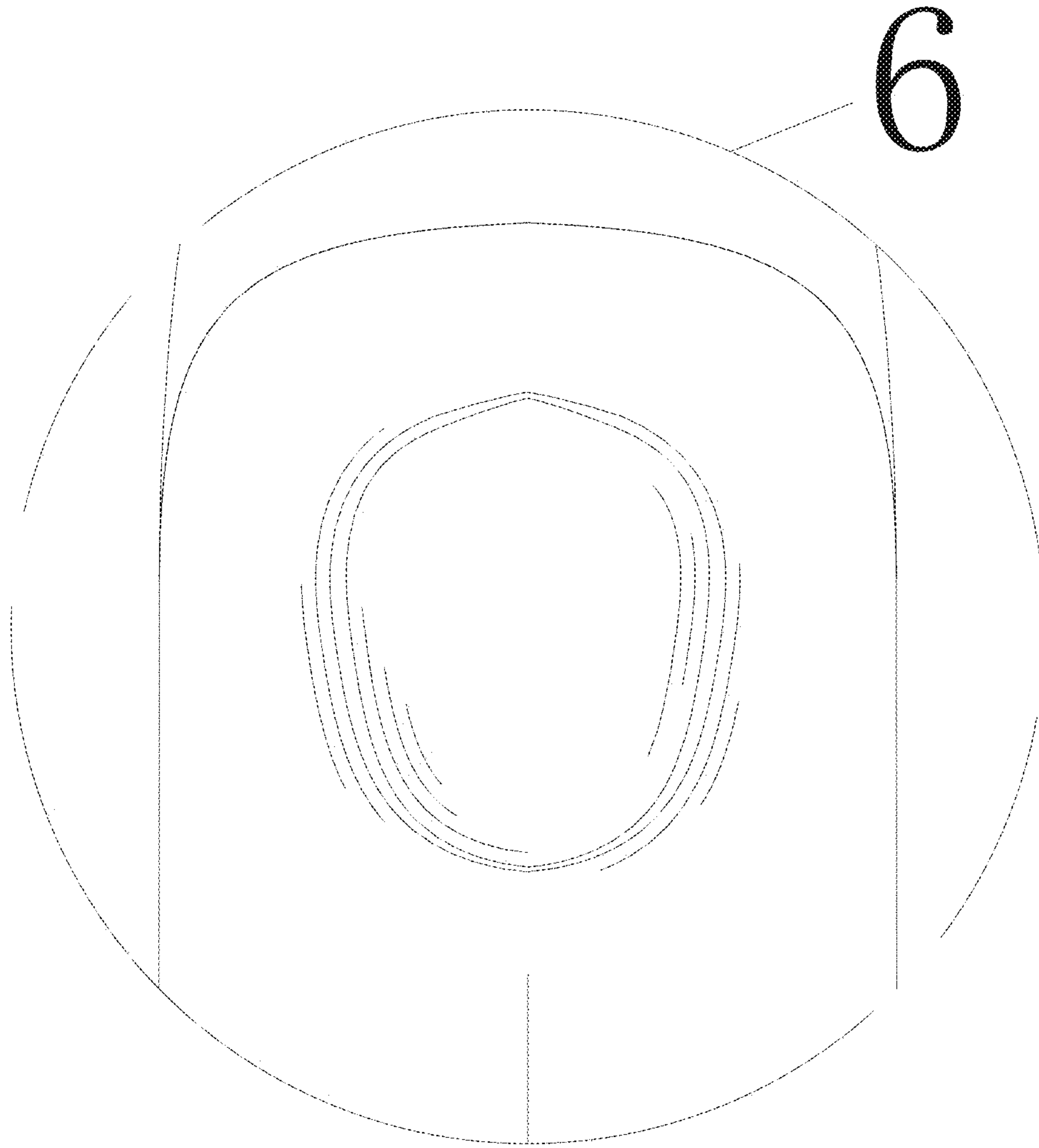


FIG. 13

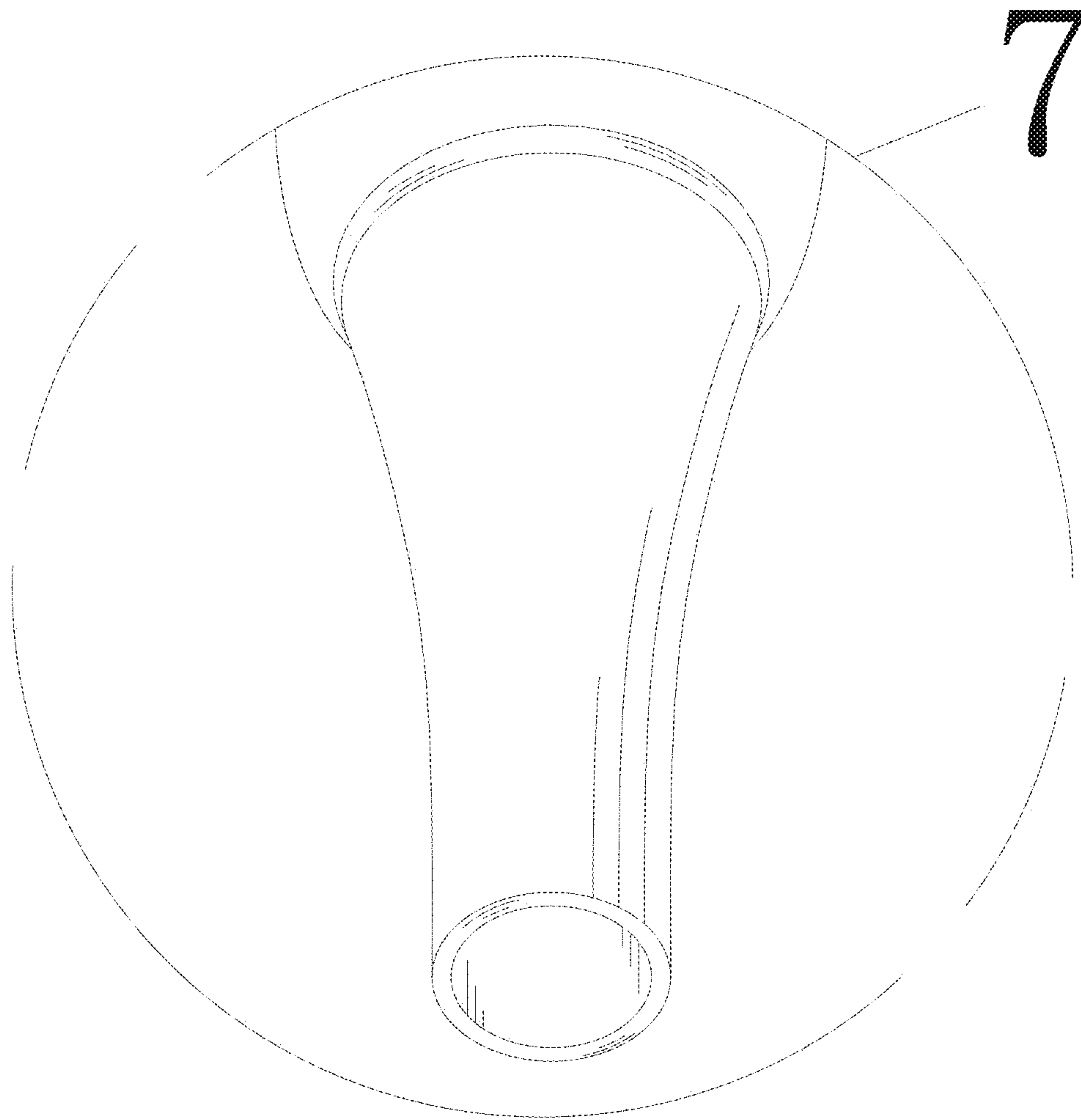


FIG. 14

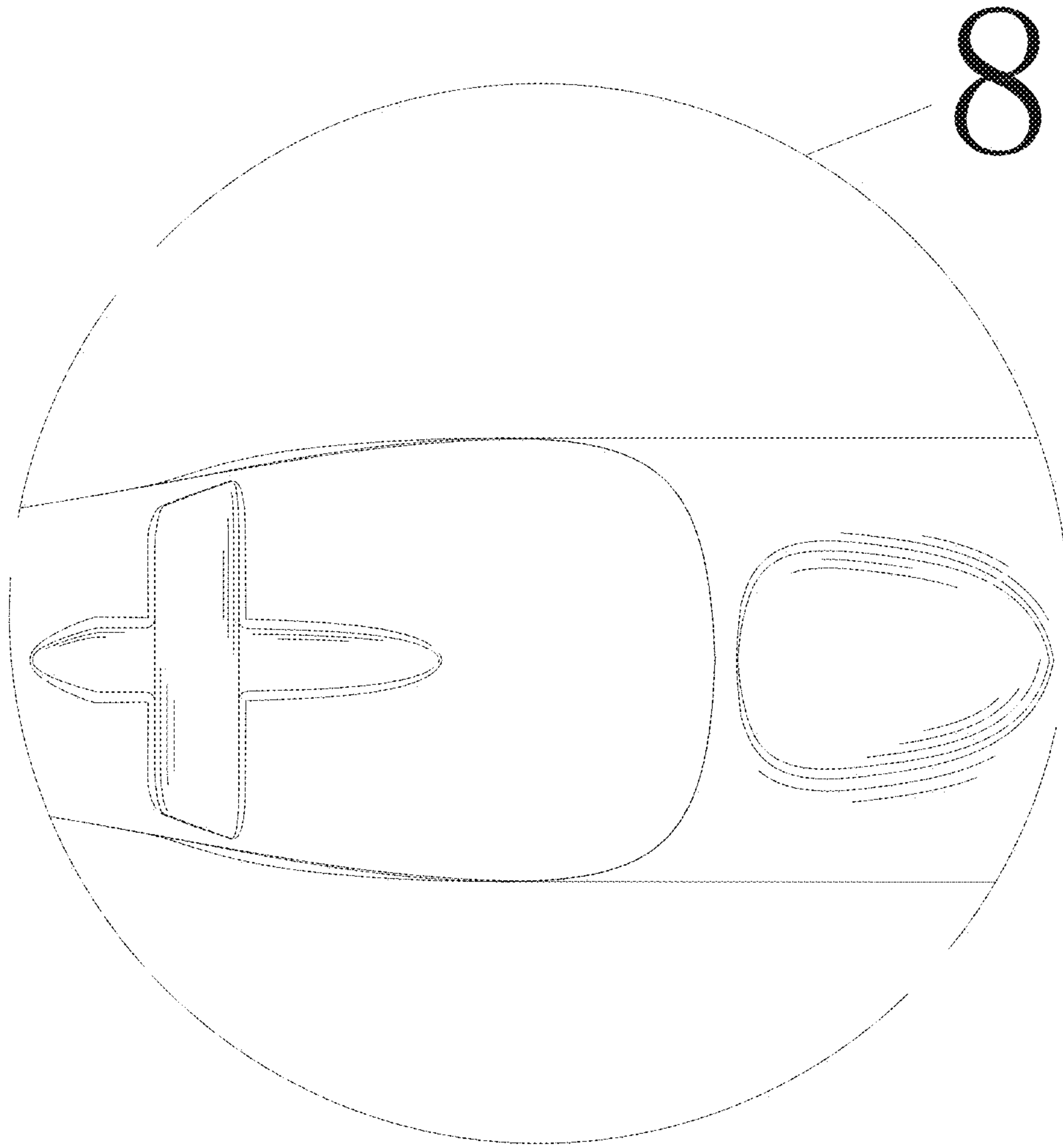


FIG. 15

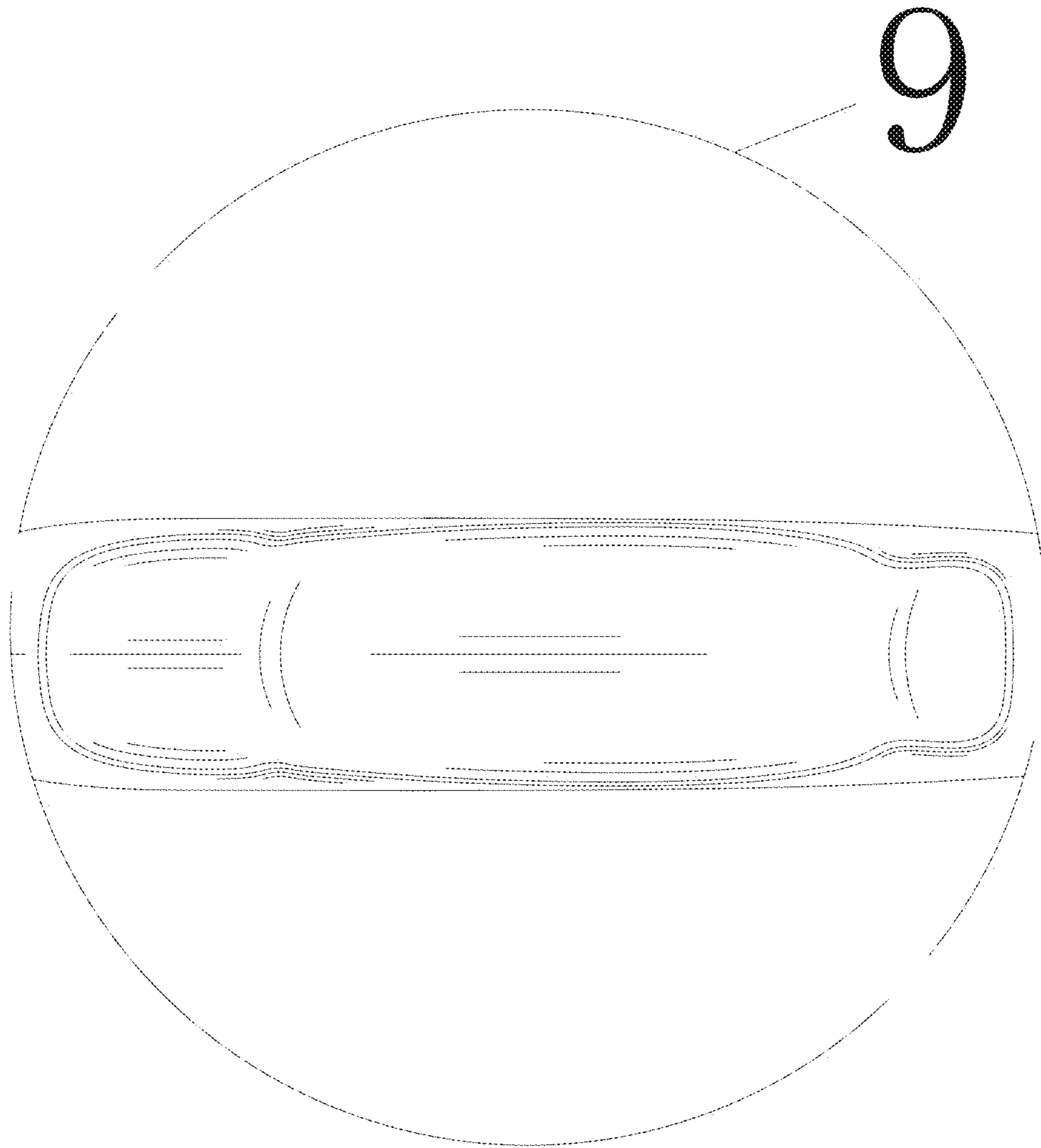


FIG. 16