



US00D889667S

(12) **United States Design Patent** (10) **Patent No.:** **US D889,667 S**
DeBord et al. (45) **Date of Patent:** **** Jul. 7, 2020**

(54) **ARMREST**
(71) Applicant: **Midmark Corporation**, Versailles, OH (US)
(72) Inventors: **Jeffrey T. DeBord**, Worthington, OH (US); **Richard Lee Lane**, Cincinnati, OH (US); **Rainer Bernhard Teufel**, Worthington, OH (US); **Arthur Dale Smith**, Greenville, OH (US)

9,259,371 B2 * 2/2016 Zerhusen A61G 7/0507
D779,074 S * 2/2017 Lane D24/184
D816,381 S * 5/2018 Su D6/716.2
D830,563 S * 10/2018 Kim D24/200
D838,122 S * 1/2019 Faniku D6/596
2006/0059621 A1 * 3/2006 Poulos A61G 7/005
5/430
2011/0084535 A1 * 4/2011 Diffrient A47C 1/03
297/411.36

(Continued)

(73) Assignee: **Midmark Corporation**, Versailles, OH (US)

(**) Term: **15 Years**

(21) Appl. No.: **29/636,882**

(22) Filed: **Feb. 12, 2018**

(51) **LOC (12) Cl.** **24-02**

(52) **U.S. Cl.**
USPC **D24/184**

(58) **Field of Classification Search**
USPC D24/159, 183-184, 200; D6/429,
D6/595-596, 601, 604, 605, 610, 716.2,
D6/718, 718.3
CPC A61G 7/00; A61G 7/0507; A61G 13/107;
A61G 13/105; A61G 7/0015
See application file for complete search history.

(56) **References Cited**

U.S. PATENT DOCUMENTS

4,439,880 A * 4/1984 Koncelik A61G 7/0507
5/425
5,370,111 A * 12/1994 Reeder A61G 7/0015
128/202.13
5,461,673 A * 10/1995 Coons A61G 7/0507
379/426
D468,140 S * 1/2003 Tsai D6/366
6,519,794 B1 * 2/2003 Aarestad A61G 7/0507
5/428

OTHER PUBLICATIONS

Ritter Barrier-Free® Exam Chair—Patient Support Rails™ and Patient Support Rails Plus™ Online, published date: Mar. 13, 2018 from URL: https://www.youtube.com/watch?v=XHgwFd7_a-8.*

Primary Examiner — Susan Bennett Hattan

Assistant Examiner — Omeed Agilee

(74) *Attorney, Agent, or Firm* — Frost Brown Todd LLC

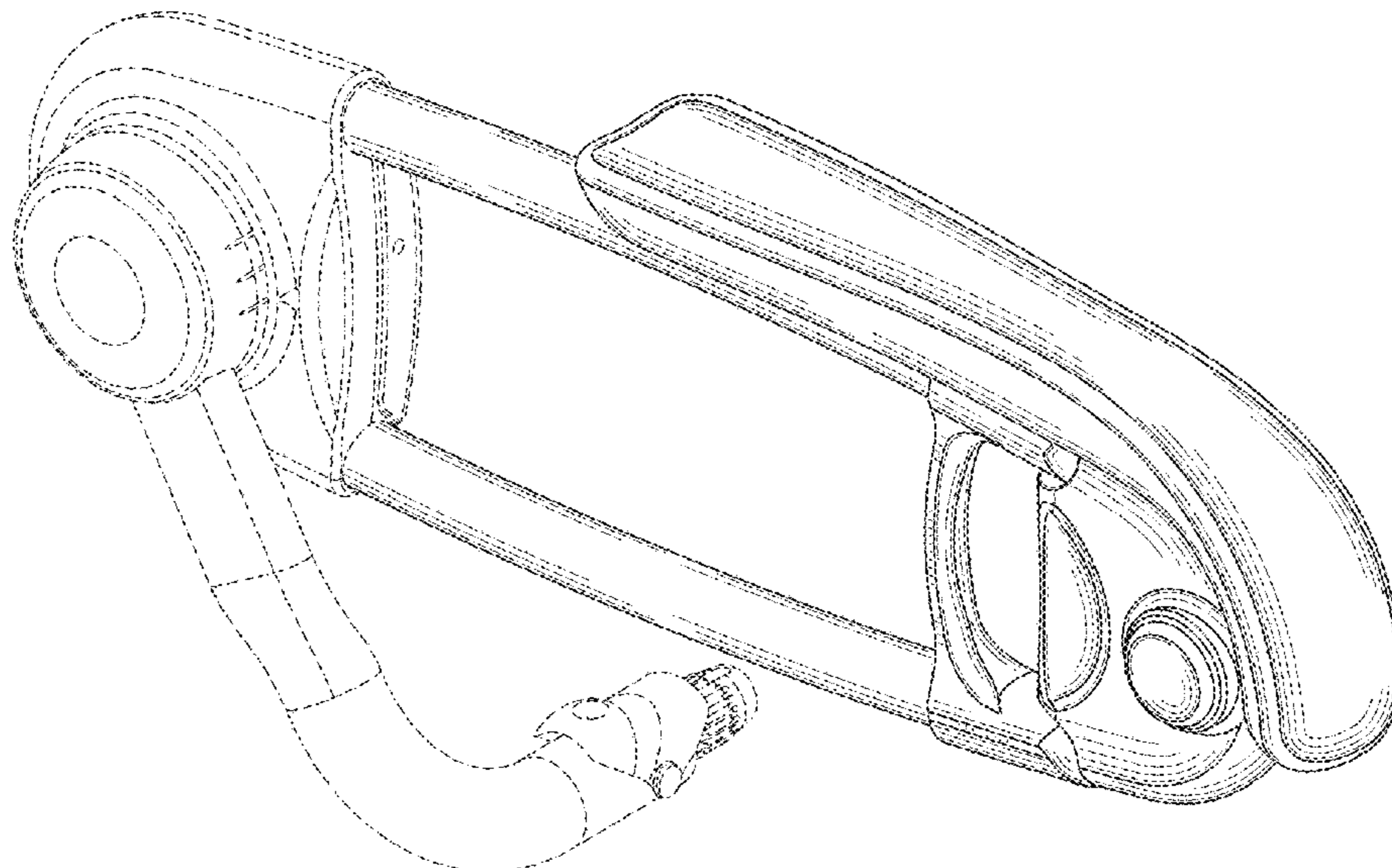
(57) **CLAIM**

The ornamental design for an armrest, as shown and described.

DESCRIPTION

FIG. 1 is a left side perspective view of an armrest showing our new design;
FIG. 2 is a right side perspective view of the armrest of FIG. 1;
FIG. 3 is a left side elevational view of the armrest of FIG. 1;
FIG. 4 is a right side elevational view of the armrest of FIG. 1;
FIG. 5 is a back elevational view of the armrest of FIG. 1;
FIG. 6 is a front elevational view of the armrest of FIG. 1;
FIG. 7 is a top plan view of the armrest of FIG. 1; and,
FIG. 8 is a bottom plan view of the armrest of FIG. 1.
The broken lines in the drawing depict portions of the armrest that form no part of the claimed design.

1 Claim, 8 Drawing Sheets



(56)

References Cited

U.S. PATENT DOCUMENTS

2015/0164233 A1* 6/2015 Hsieh A47C 7/54
297/411.46

* cited by examiner

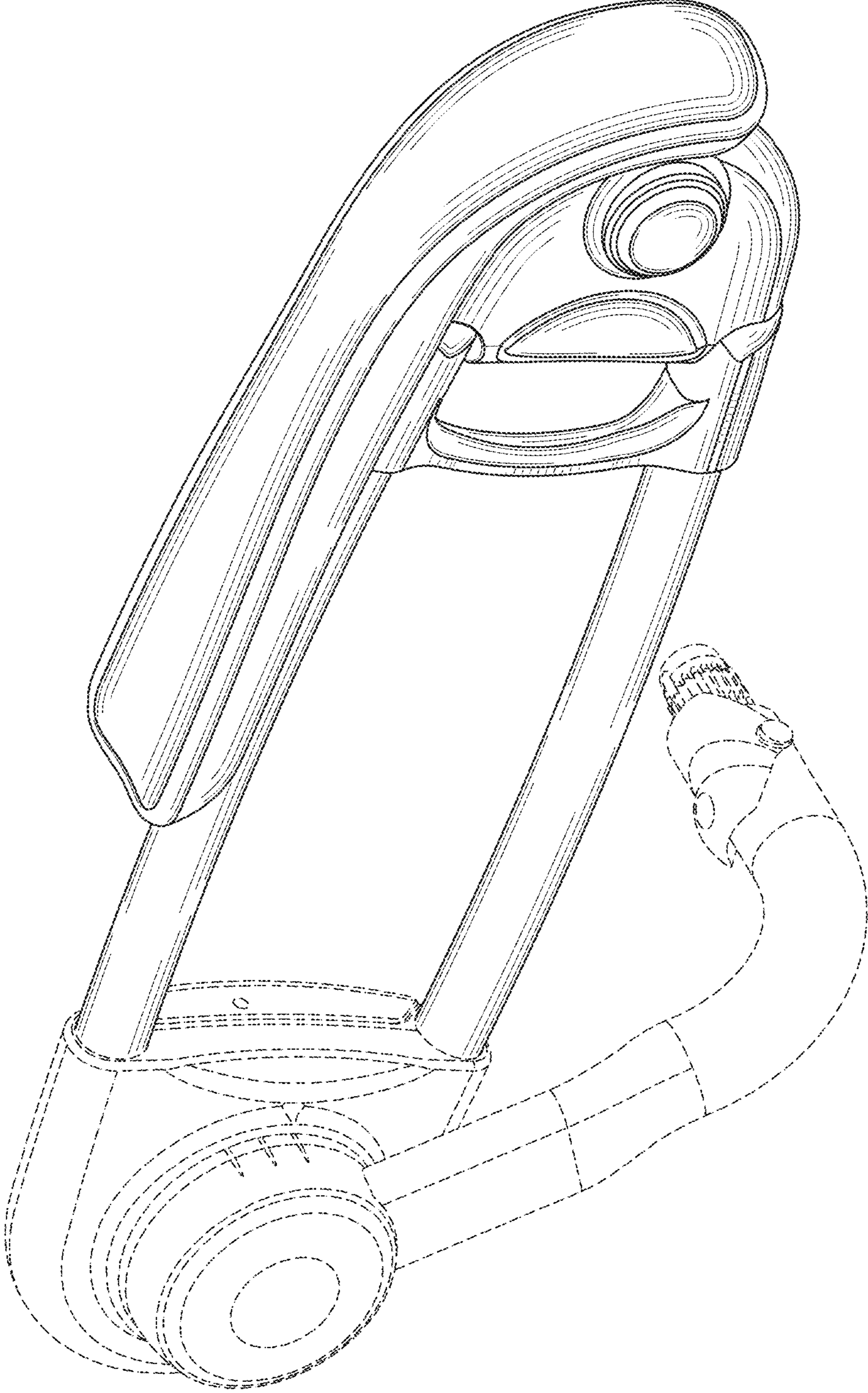


FIG. 1

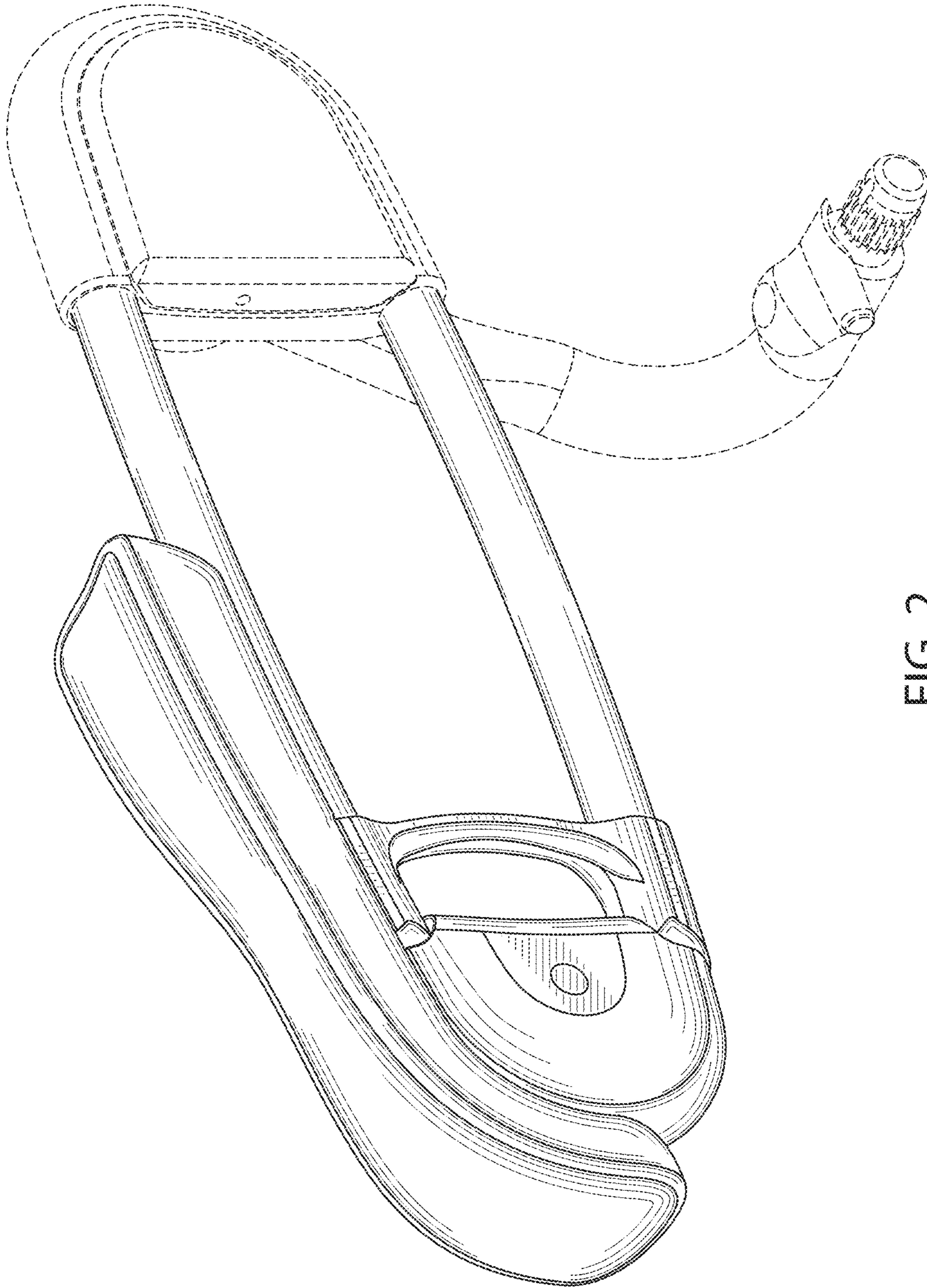


FIG. 2

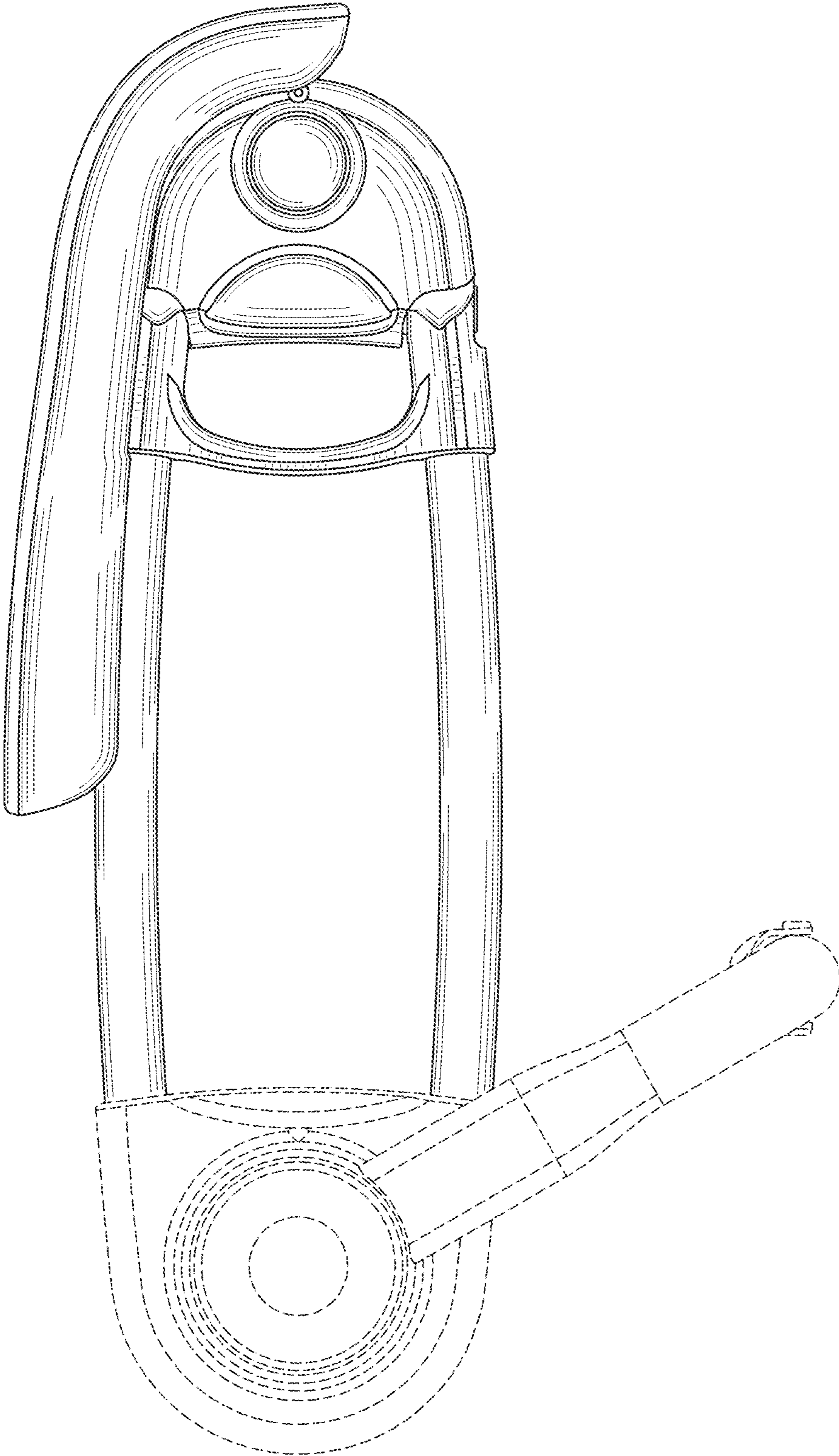


FIG. 3

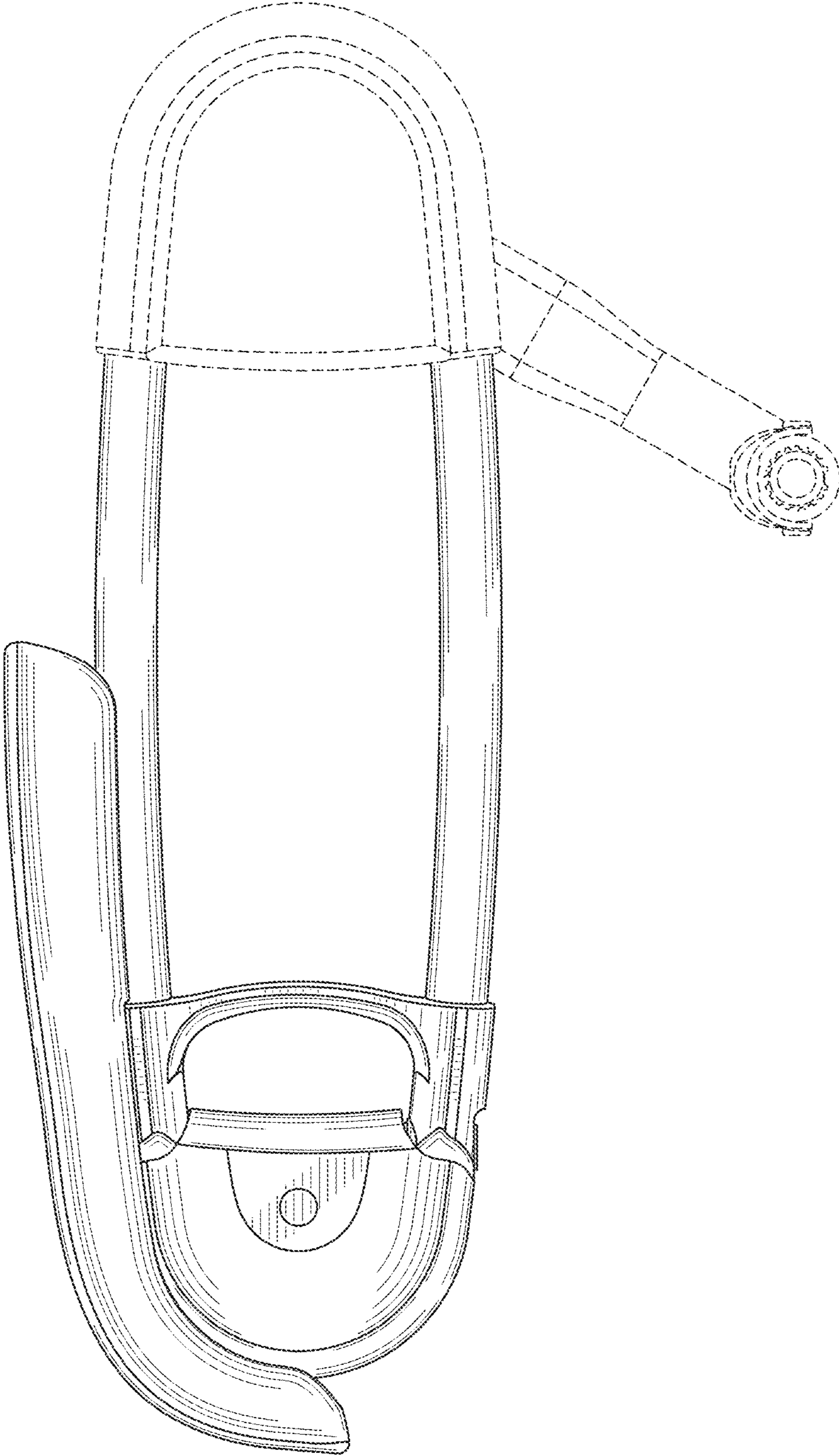


FIG. 4

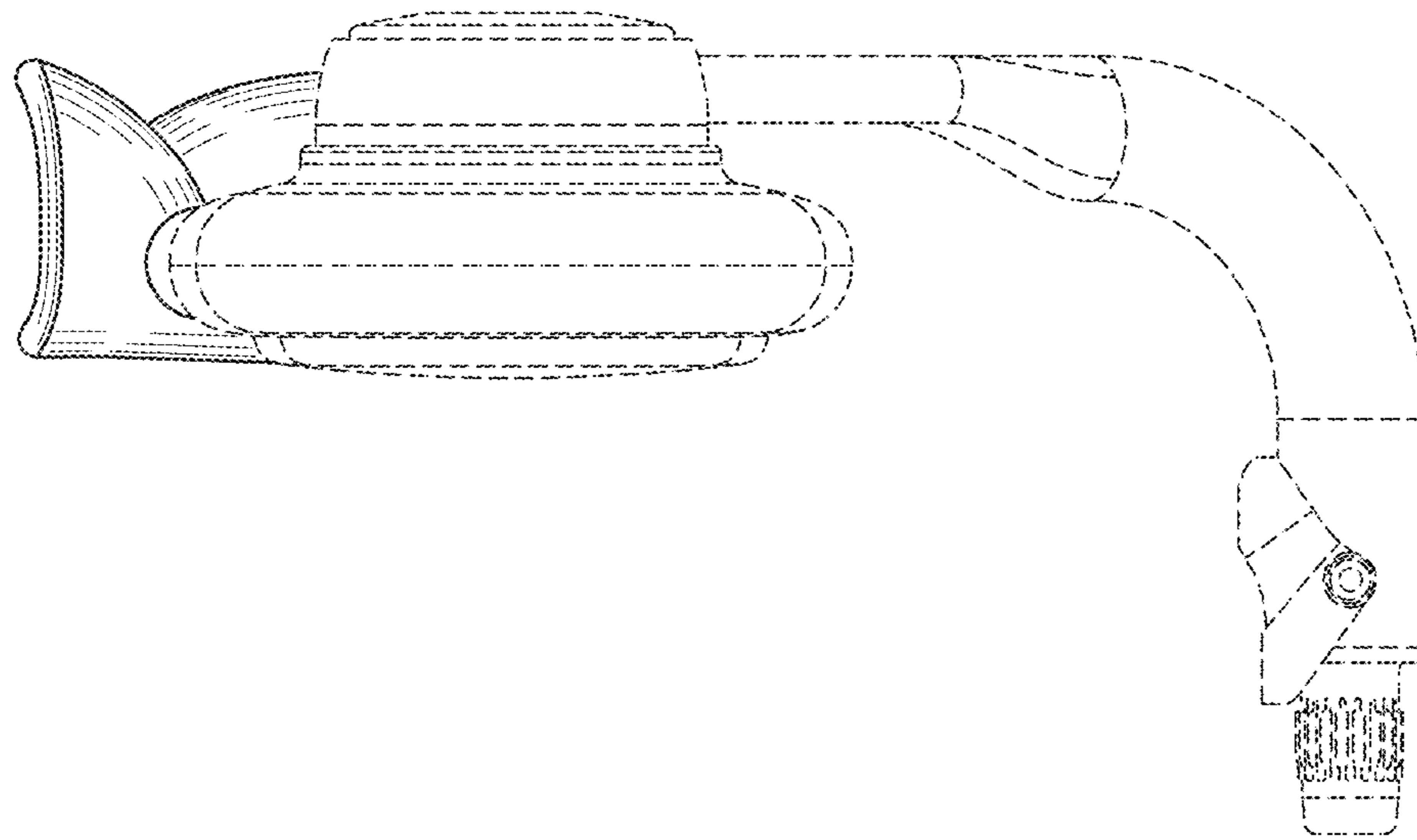


FIG. 5

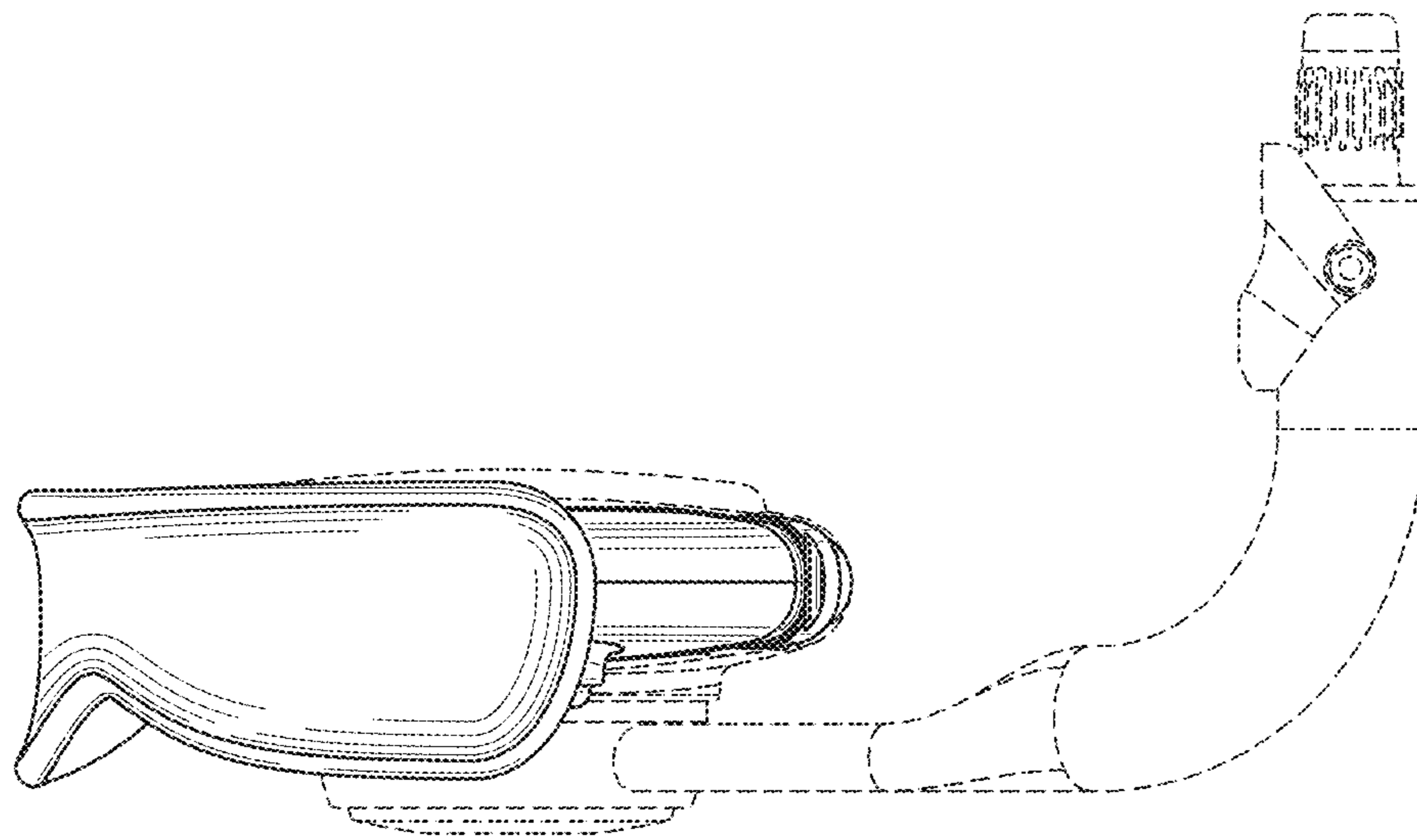


FIG. 6

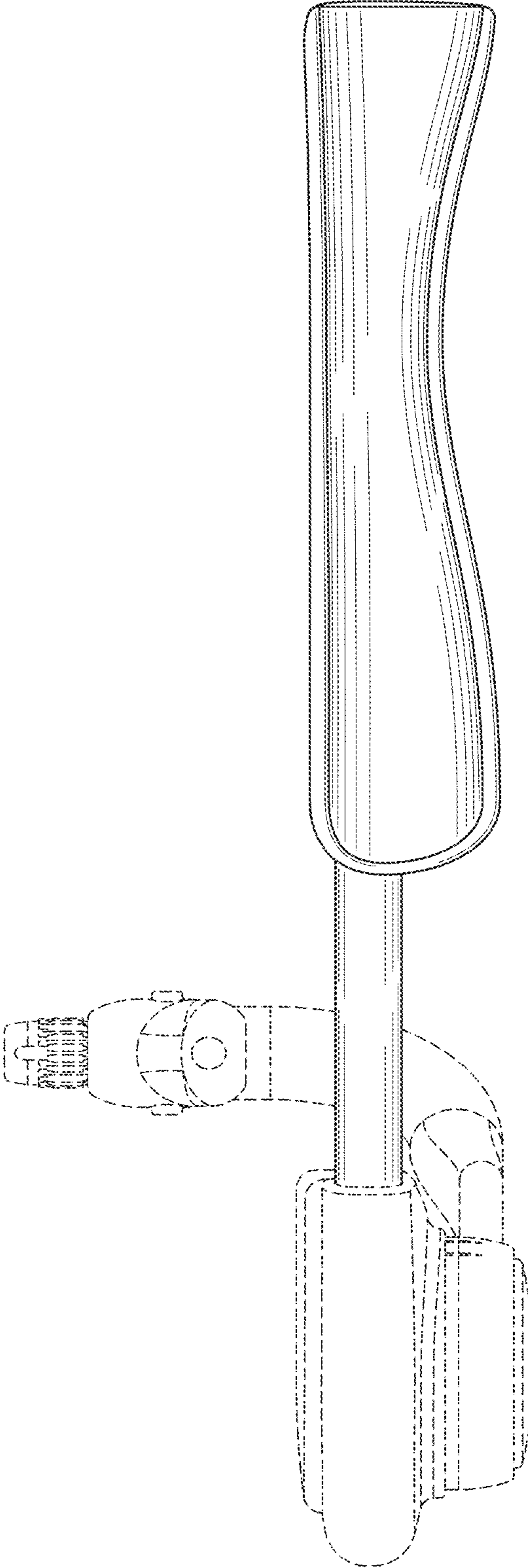


FIG. 7

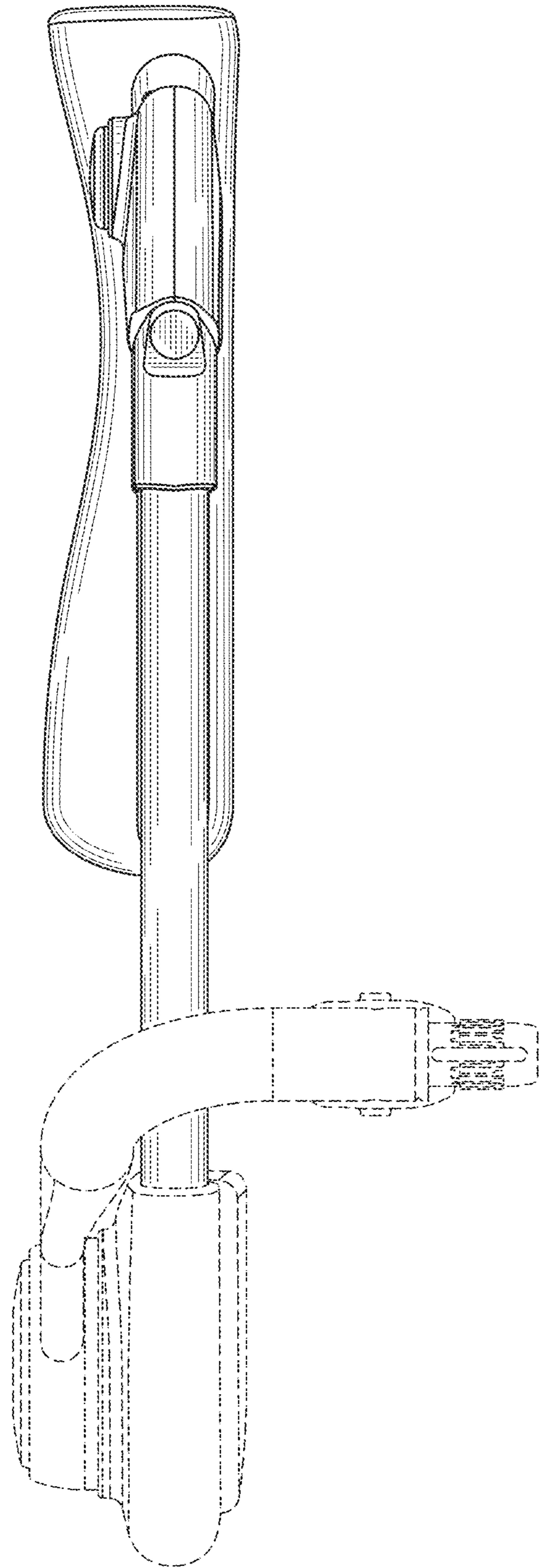


FIG. 8