



US00D889666S

(12) **United States Design Patent** (10) **Patent No.:** **US D889,666 S**
McDougald (45) **Date of Patent:** **** *Jul. 7, 2020**

- (54) **DEVICE FOR SUPPORT DURING COPULATION**
- (71) Applicant: **Ruxton McDougald**, Laurel, MD (US)
- (72) Inventor: **Ruxton McDougald**, Laurel, MD (US)
- (*) Notice: This patent is subject to a terminal disclaimer.
- (**) Term: **15 Years**
- (21) Appl. No.: **29/631,033**
- (22) Filed: **Dec. 27, 2017**
- (51) **LOC (12) Cl.** **24-02**
- (52) **U.S. Cl.**
USPC **D24/183; D24/171**
- (58) **Field of Classification Search**
USPC D24/171, 183-185, 188, 190, 200;
D6/595, 596, 601, 333
CPC A47G 9/1081; A47C 16/00
See application file for complete search history.

- D485,724 S * 1/2004 Morikawa D6/601
- D548,842 S * 8/2007 Elnekaveh D24/188
- D598,106 S * 8/2009 Goumas D24/184
- 8,726,436 B2 * 5/2014 Wright A47G 9/1081
5/636
- D707,358 S * 6/2014 Mantilla D24/184
- D800,480 S * 10/2017 Paperno A41B 13/06
D6/596

* cited by examiner

Primary Examiner — Susan Bennett Hattan
Assistant Examiner — Omeed Agilee
(74) *Attorney, Agent, or Firm* — Kristin A. Grant; Grant Attorneys at Law PLLC

(57) **CLAIM**

The ornamental design for a device for support during copulation, as shown and described.

DESCRIPTION

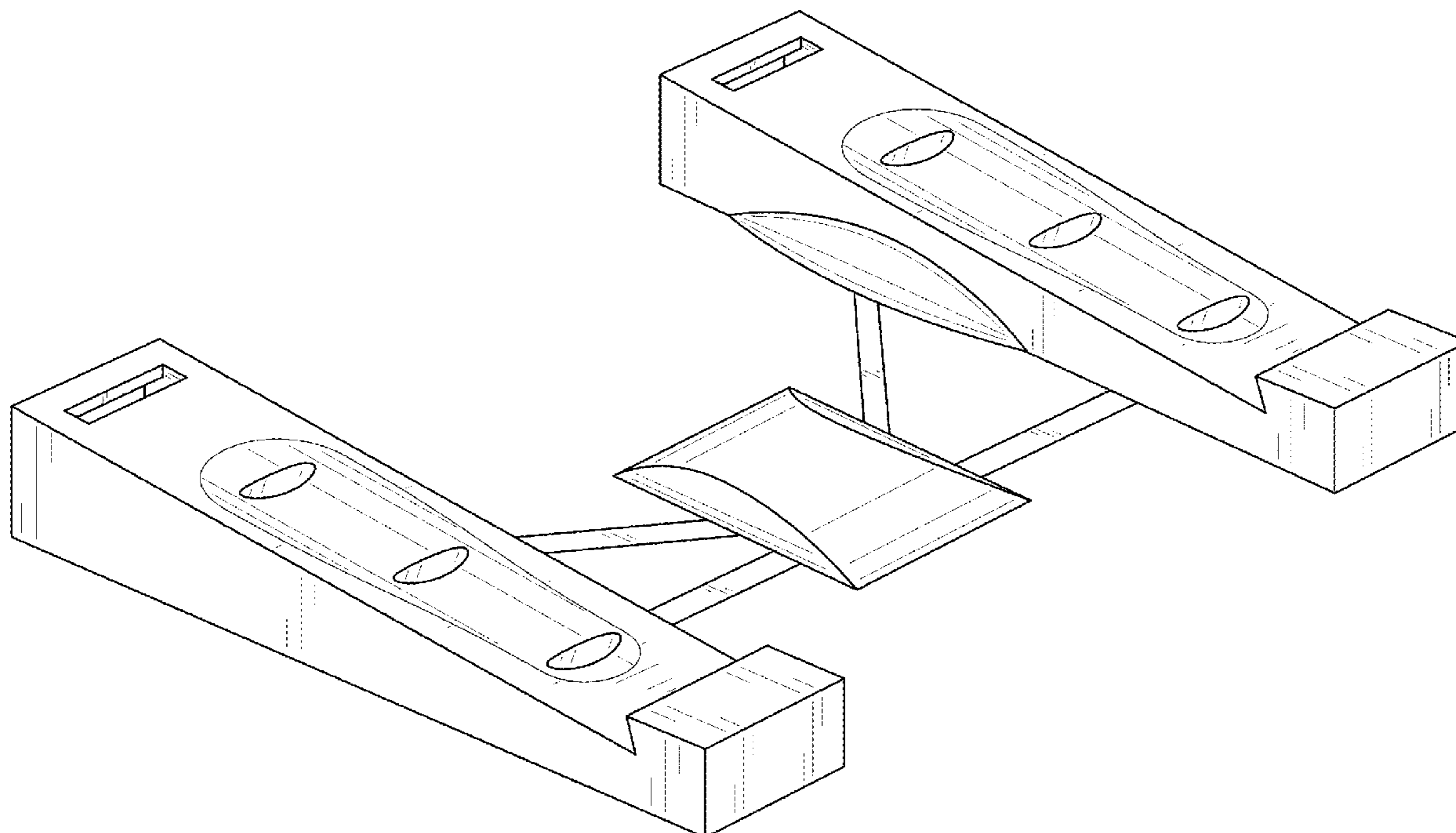
FIG. 1 is a top plan view of a device for support during copulation showing my new design; FIG. 2 is a bottom plan view thereof; FIG. 3 is a side elevational view thereof the opposite side being a mirror image thereof; FIG. 4 is a front perspective view thereof; FIG. 5 is a perspective view thereof; and, FIG. 6 is a perspective view thereof showing the invention in-use. The broken lines in FIG. 6 showing two people depict environmental subject matter that forms no part of the claimed design.

(56) **References Cited**

U.S. PATENT DOCUMENTS

- 3,811,140 A * 5/1974 Burpo A61G 7/065
5/604
- 4,512,047 A * 4/1985 Johnson A47C 7/383
297/230.1
- D322,312 S * 12/1991 Mombrinie D24/183
- D376,288 S * 12/1996 Antonian D6/596
- D405,308 S * 2/1999 Orozco D6/601
- D432,846 S * 10/2000 Parker D6/333
- 6,560,800 B1 * 5/2003 Draves A47C 20/023
5/630

1 Claim, 6 Drawing Sheets



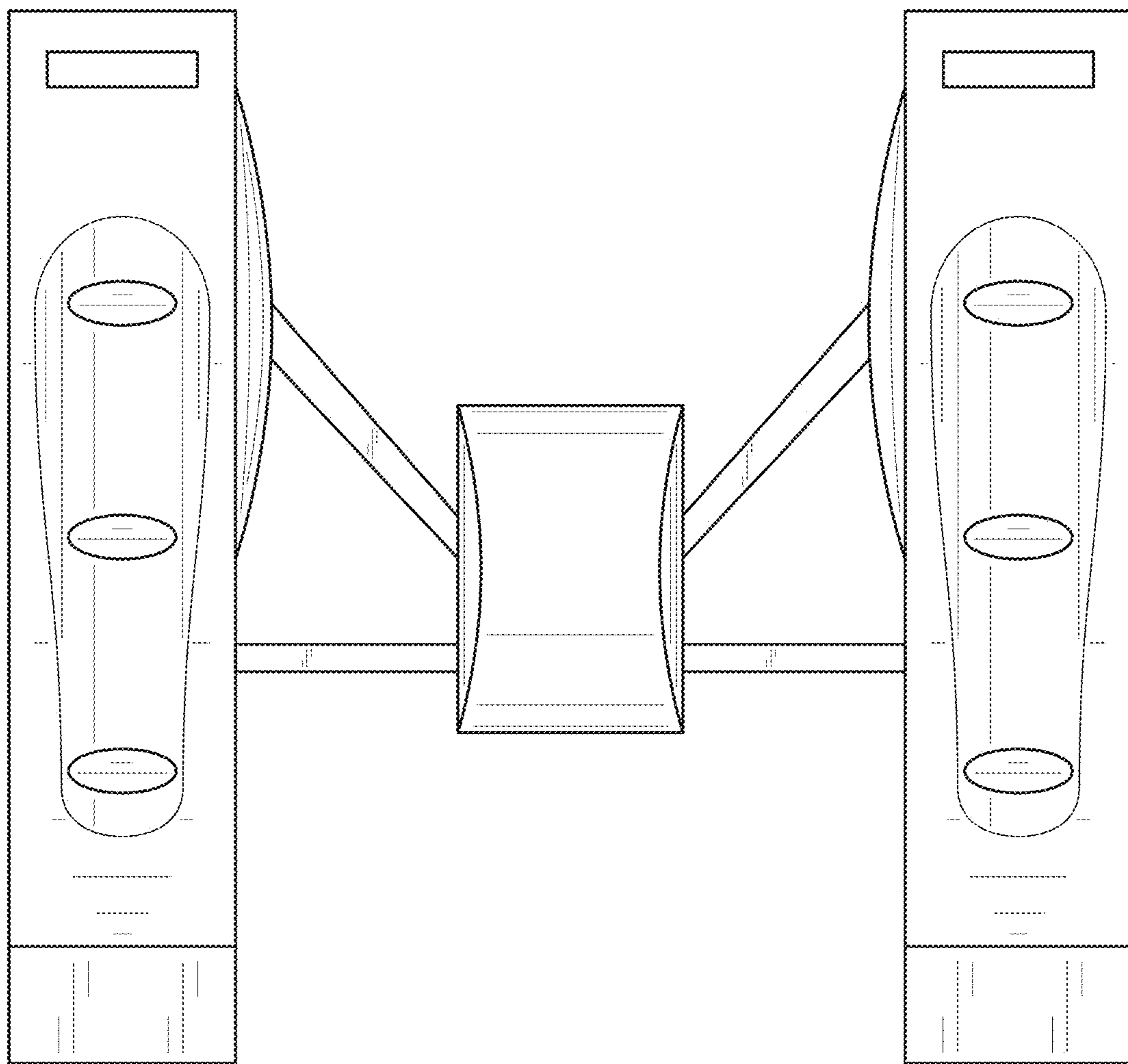


FIG. 1

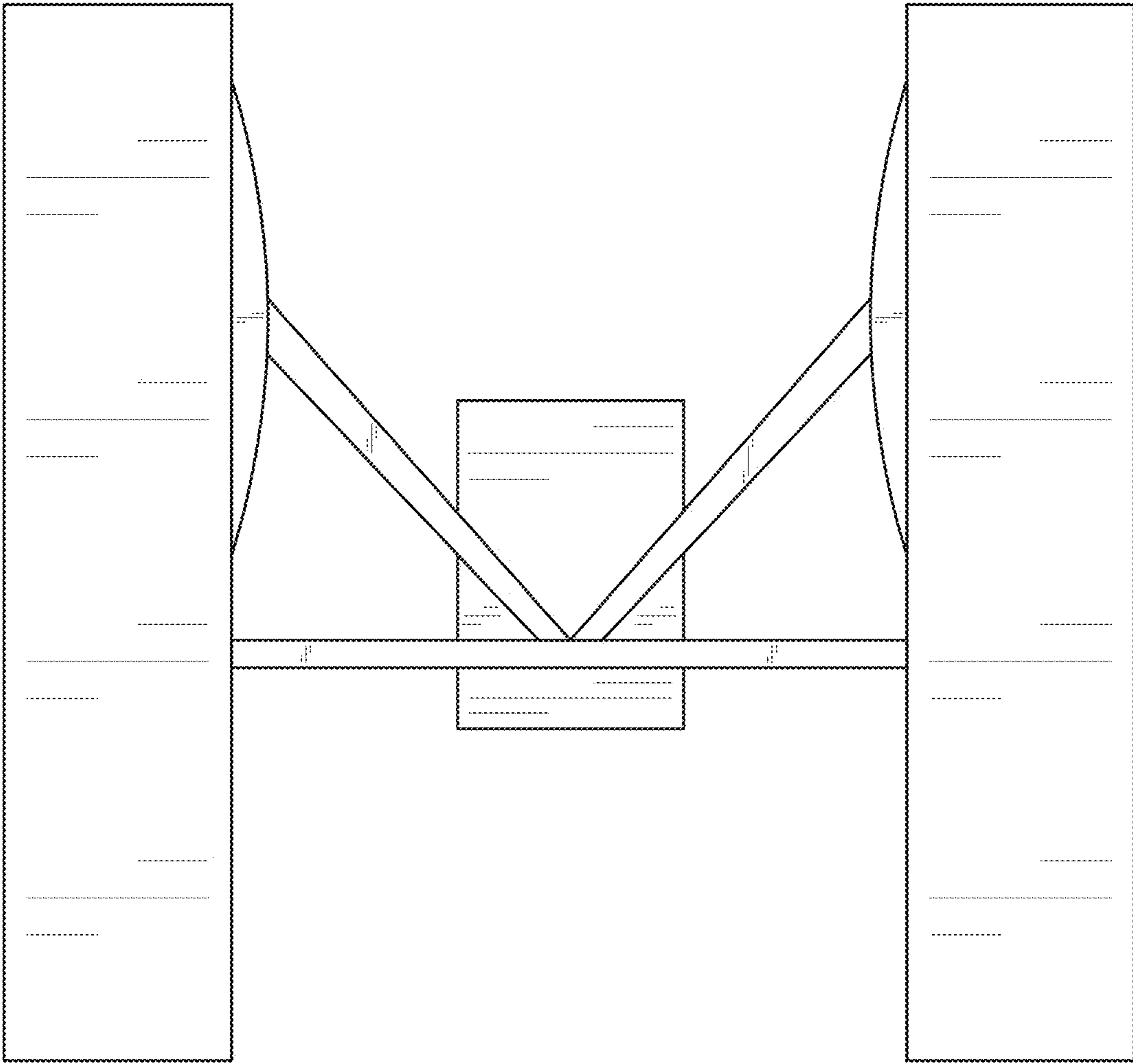


FIG. 2

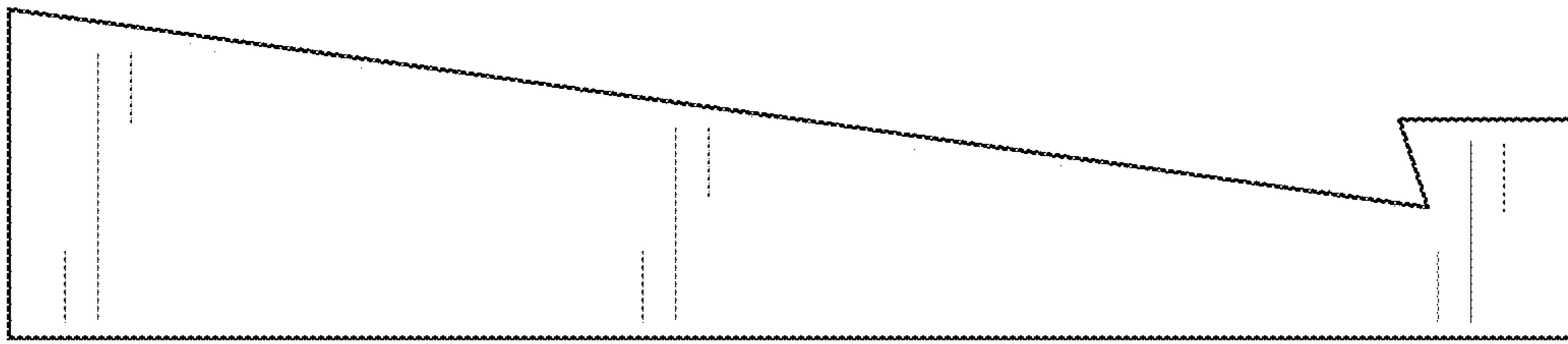


FIG. 3

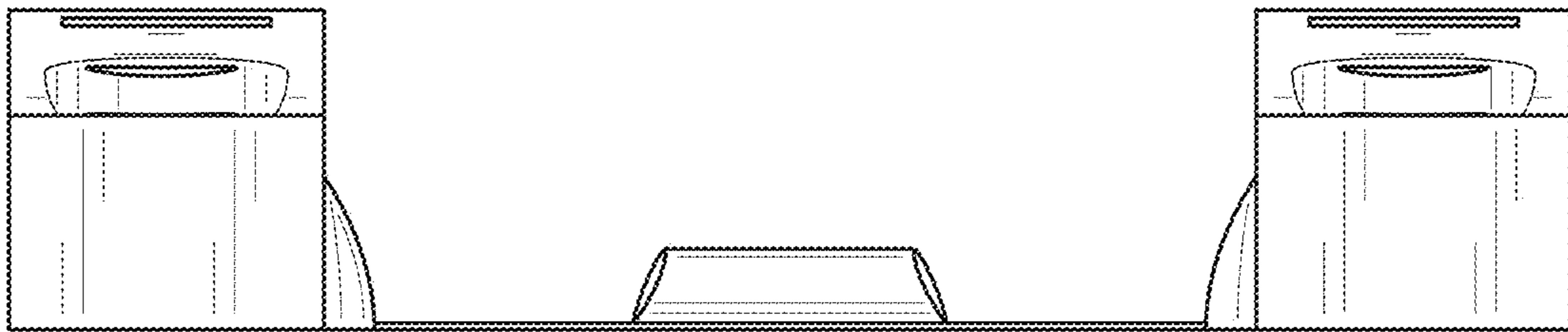


FIG. 4

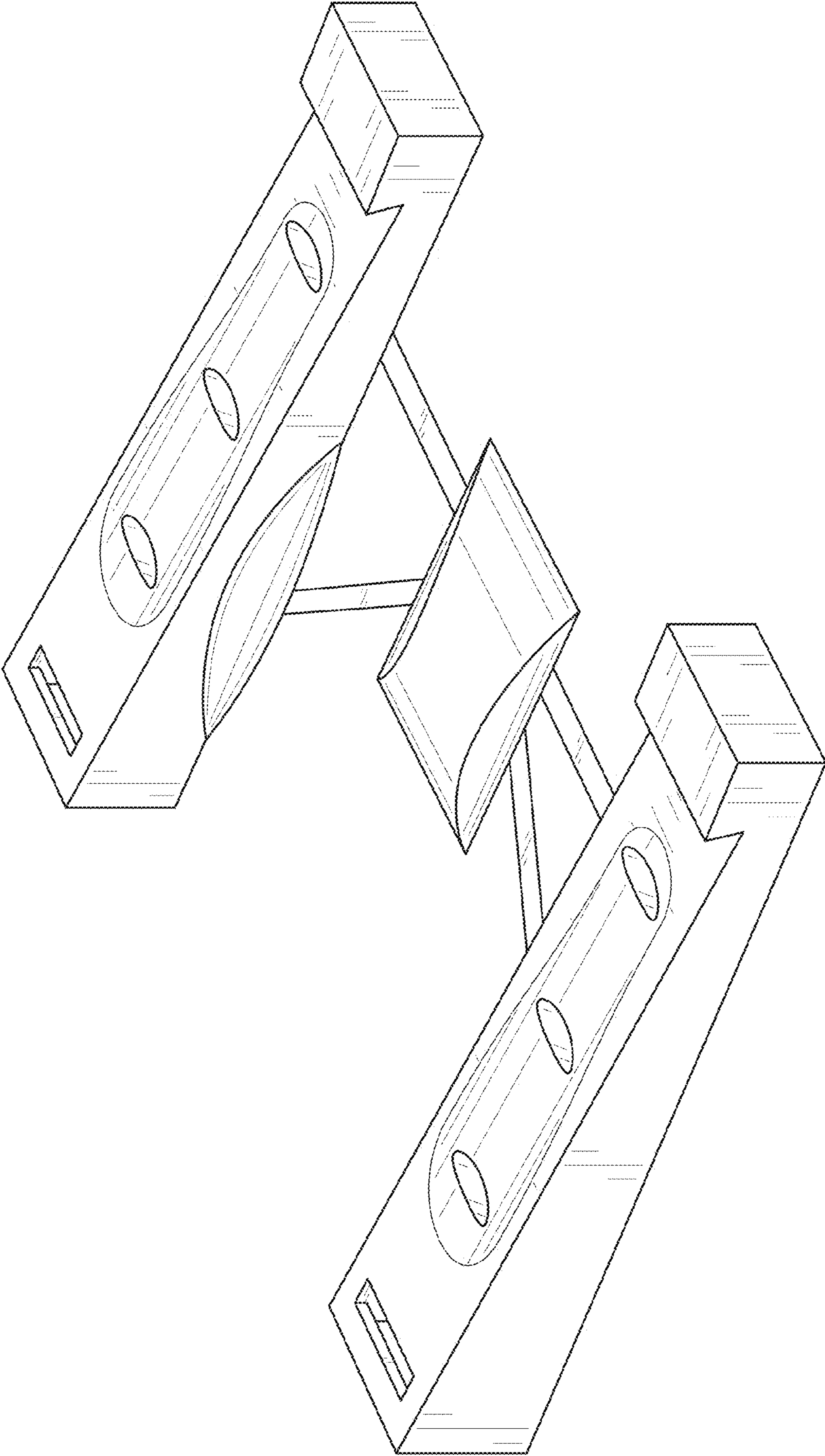


FIG. 5

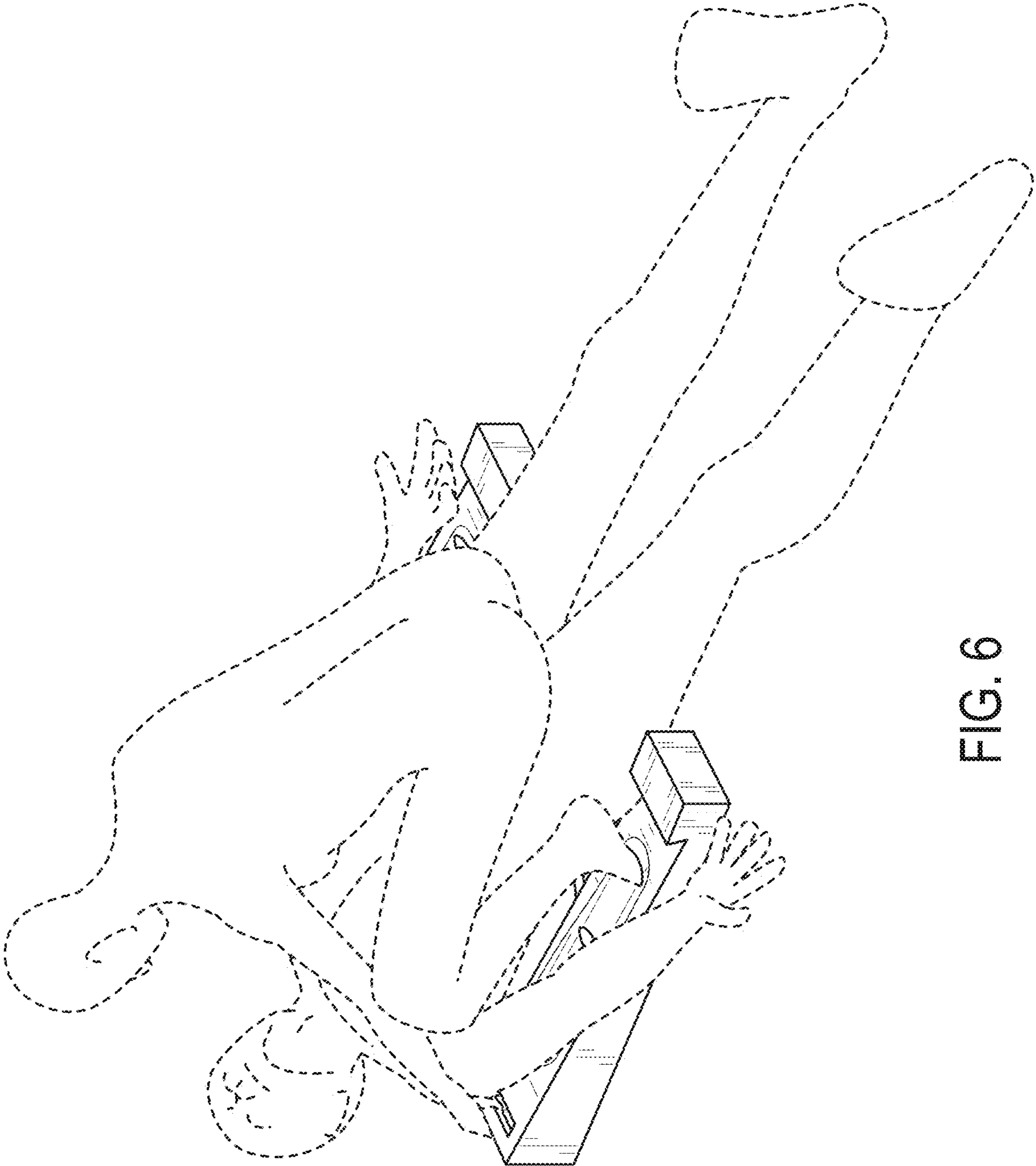


FIG. 6