



US00D889660S

(12) **United States Design Patent** (10) **Patent No.:** **US D889,660 S**
Xia (45) **Date of Patent:** **** Jul. 7, 2020**

(54) **WRIST ELECTRONIC SPHYGMOMANOMETER**

D739,940 S * 9/2015 Uozumi D24/165
D744,656 S * 12/2015 Schempp D24/165
D816,224 S * 4/2018 Wang D24/165
D849,950 S * 5/2019 Nishiyama D24/165
D854,433 S * 7/2019 Vandenbussche D24/167

(71) Applicant: **SHENZHEN IMDK MEDICAL TECHNOLOGY CO., LTD**, Shenzhen, Guangdong (CN)

* cited by examiner

(72) Inventor: **Changchun Xia**, Wenzhou (CN)

Primary Examiner — Anhdao Doan

(73) Assignee: **SHENZHEN IMDK MEDICAL TECHNOLOGY CO., LTD**, Shenzhen, Guangdong (CN)

(74) *Attorney, Agent, or Firm* — Li & Cai Intellectual Property (USA) Office

(**) Term: **15 Years**

(57) **CLAIM**

(21) Appl. No.: **29/673,755**

The ornamental design for a wrist electronic sphygmomanometer, as shown and described.

(22) Filed: **Dec. 18, 2018**

(51) **LOC (12) Cl.** **24-02**

(52) **U.S. Cl.**
USPC **D24/165**

(58) **Field of Classification Search**
USPC D24/107, 165–168, 186, 187; D10/32, D10/70, 98; D14/344
CPC A61B 5/0402; A61B 5/0404; A61B 5/021; A61B 5/024; A61B 5/02438; A61B 5/681; A61B 2560/0205; A61B 2560/0462
See application file for complete search history.

DESCRIPTION

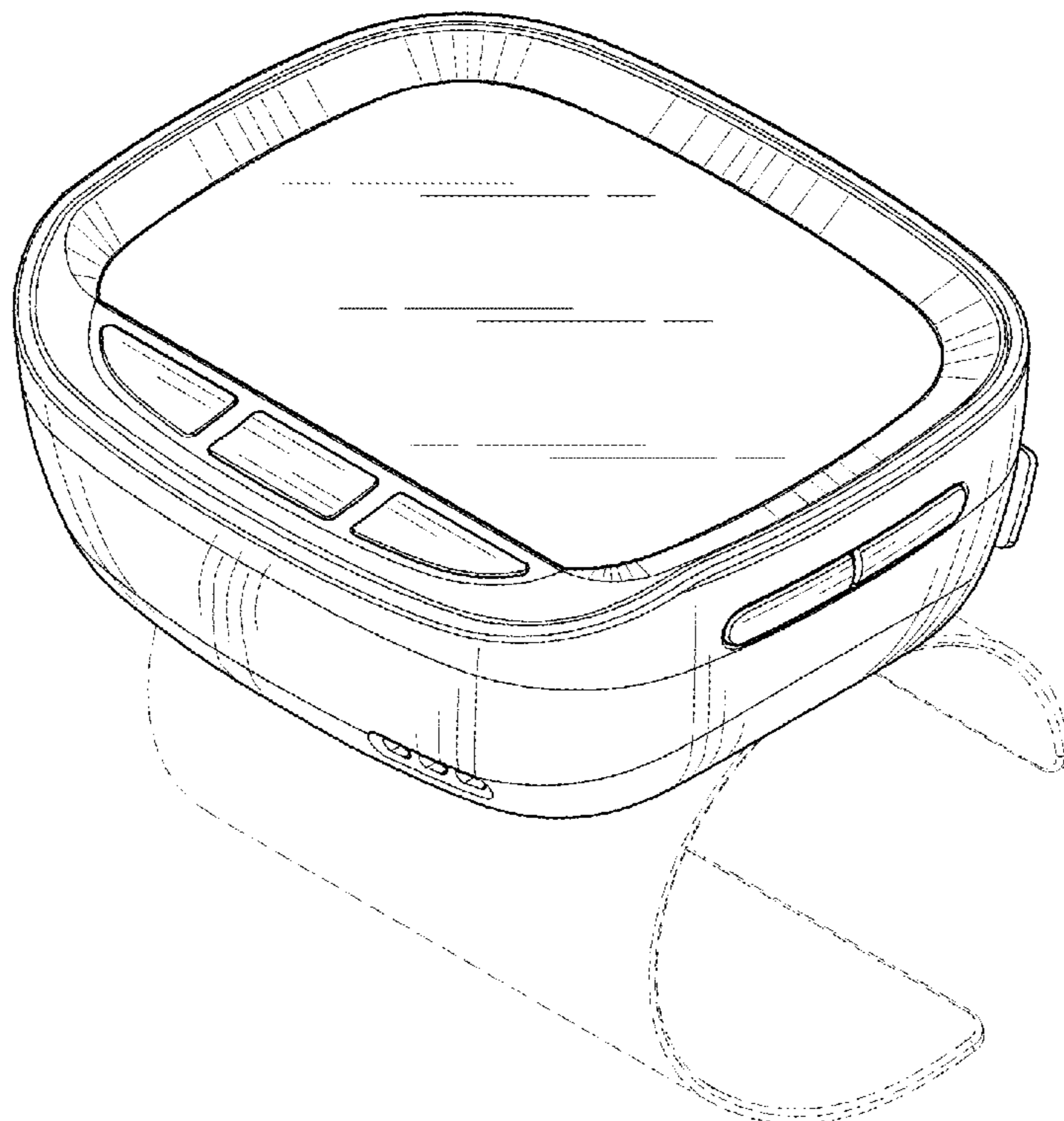
FIG. 1 is a front and top perspective view of a wrist electronic sphygmomanometer showing my new design; FIG. 2 is a front elevational view thereof; FIG. 3 is a rear elevational view thereof; FIG. 4 is a left side elevational view thereof; FIG. 5 is a right side elevational view thereof; FIG. 6 is a top plan view thereof; FIG. 7 is a bottom plan view thereof; and, FIG. 8 is a rear and bottom perspective view thereof. The broken lines depict portions of the wrist electronic sphygmomanometer in which the design is embodied that form no part of the claimed design.

(56) **References Cited**

U.S. PATENT DOCUMENTS

D589,150 S * 3/2009 Kato D24/167
D719,263 S * 12/2014 Shibata D24/165

1 Claim, 8 Drawing Sheets



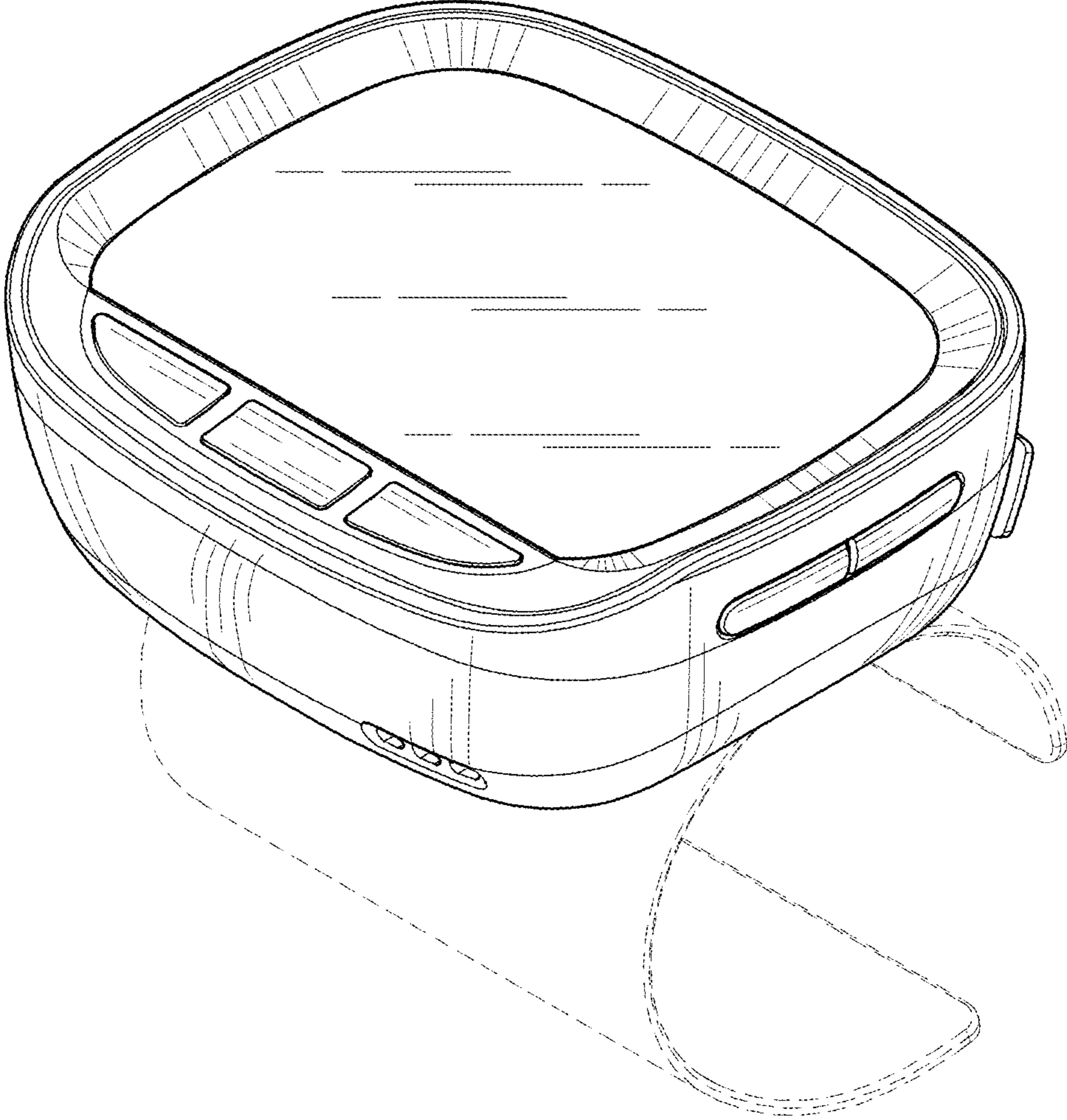


FIG. 1

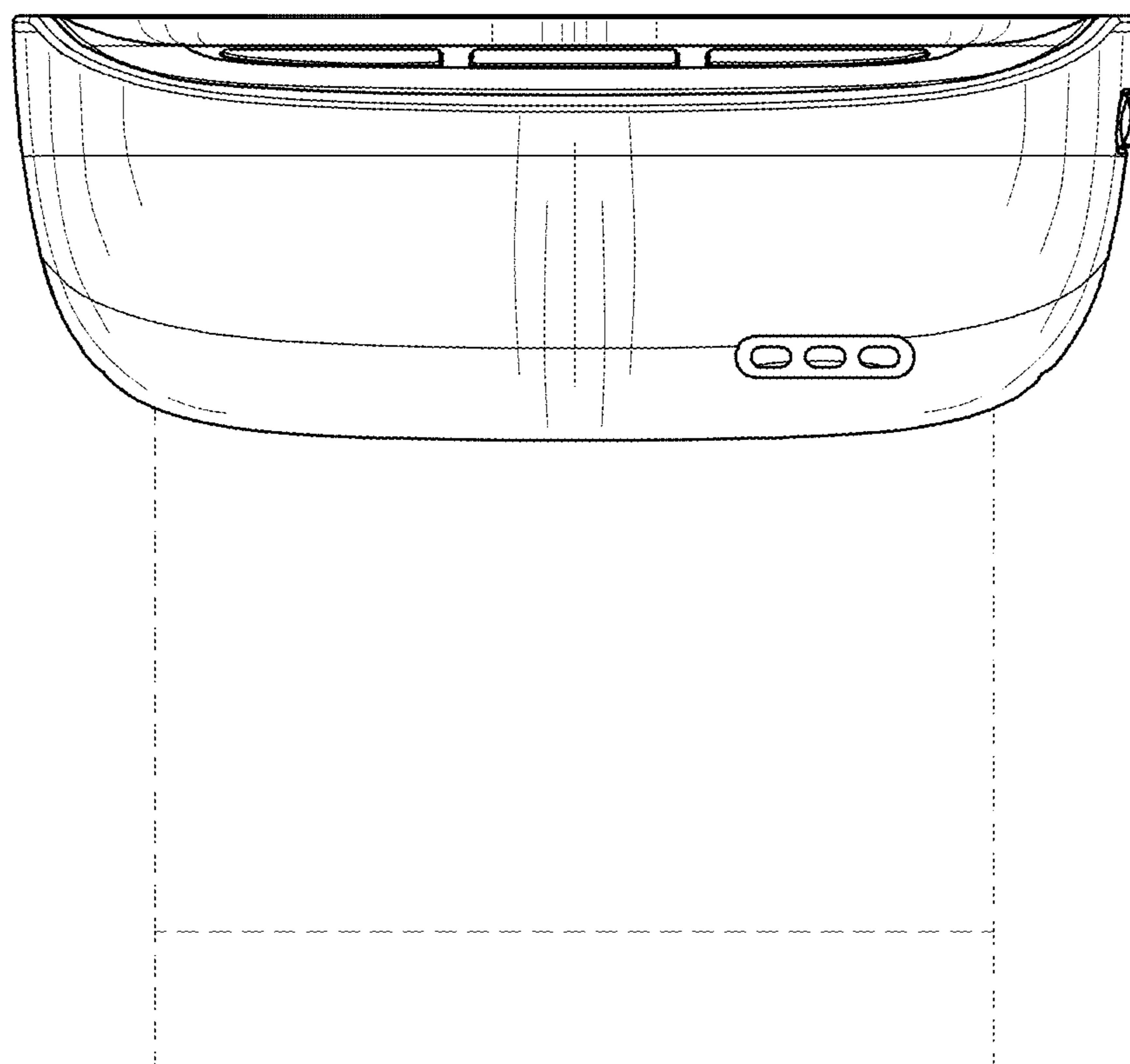


FIG. 2

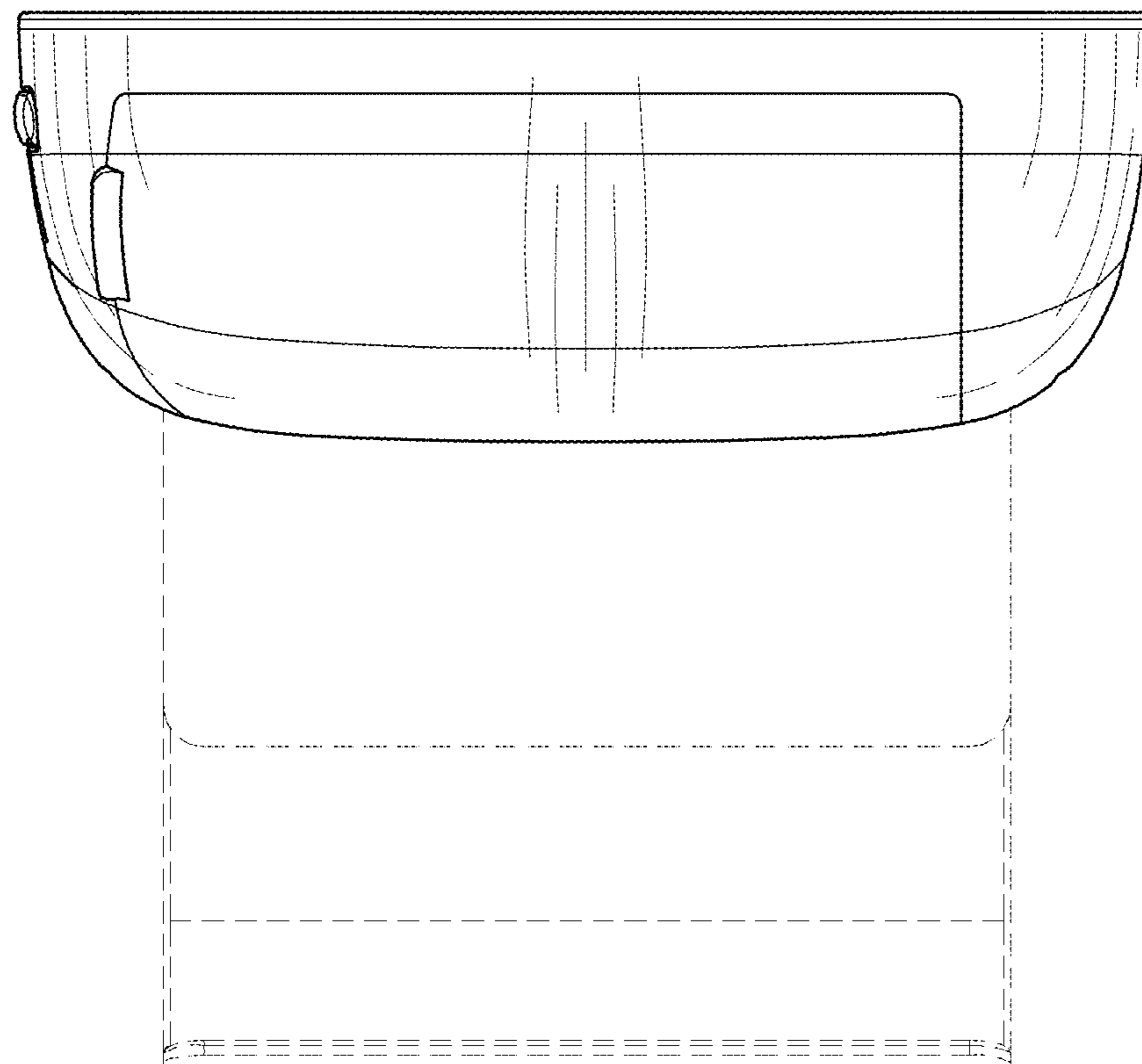


FIG. 3

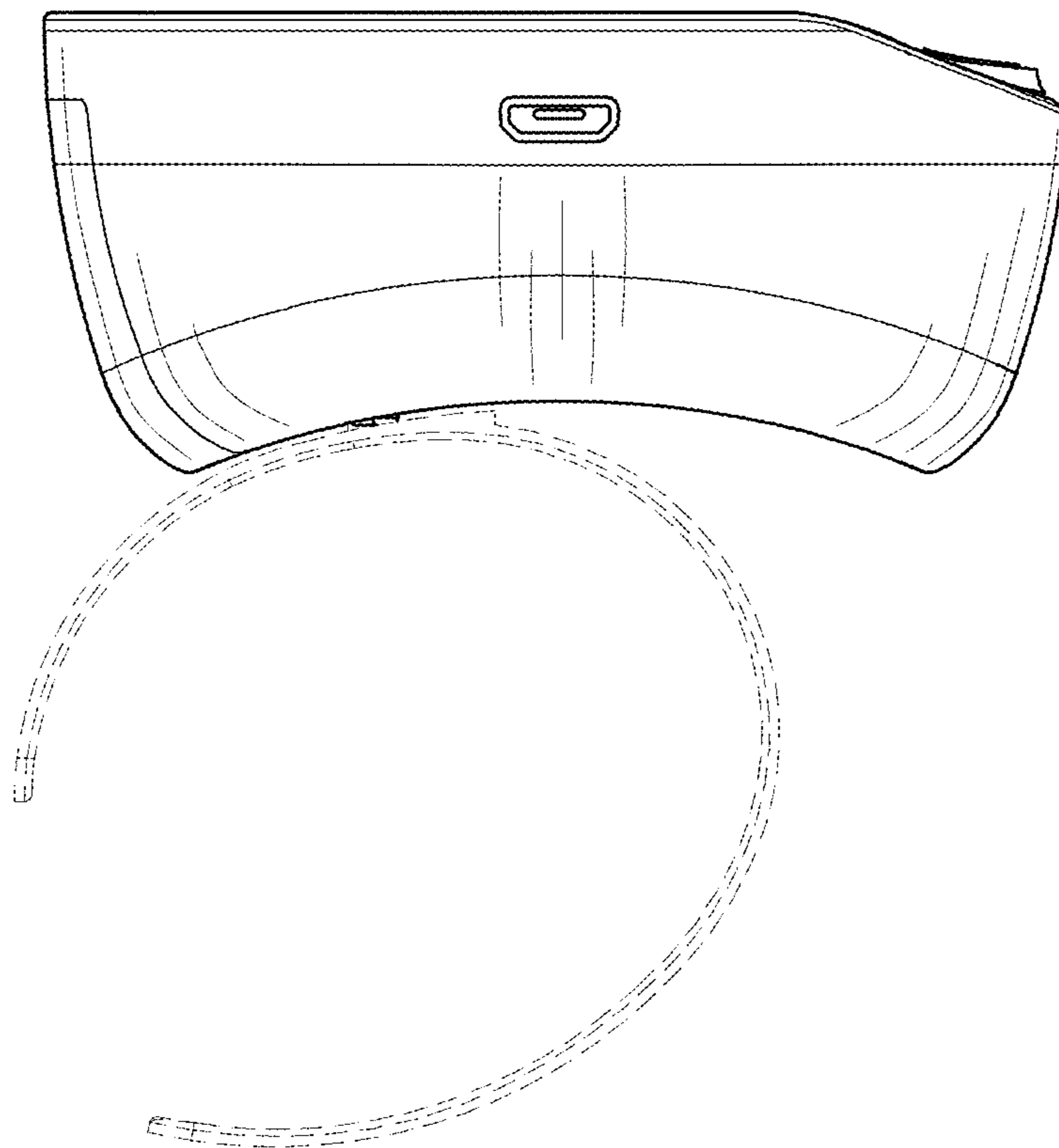


FIG. 4

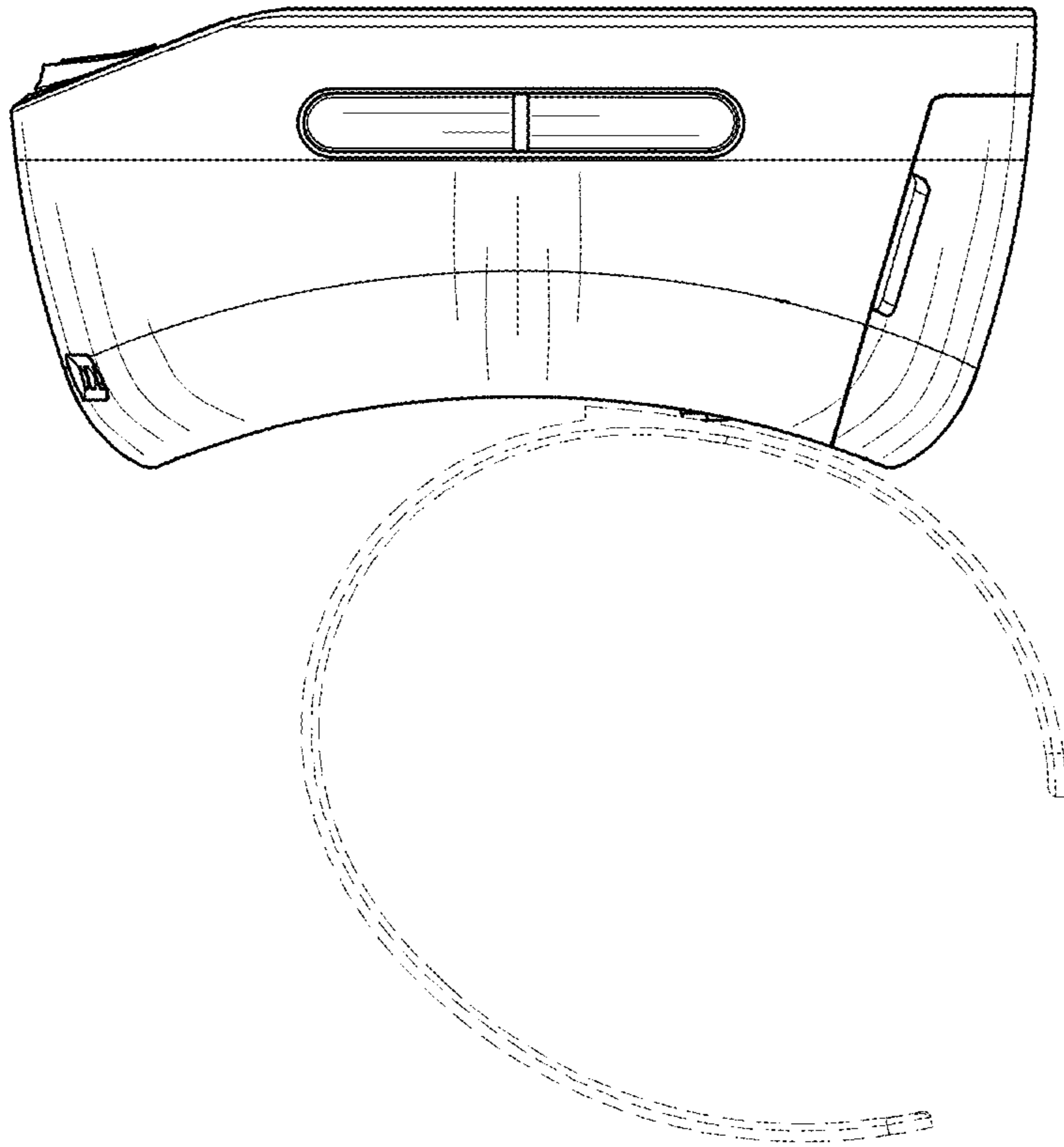


FIG. 5

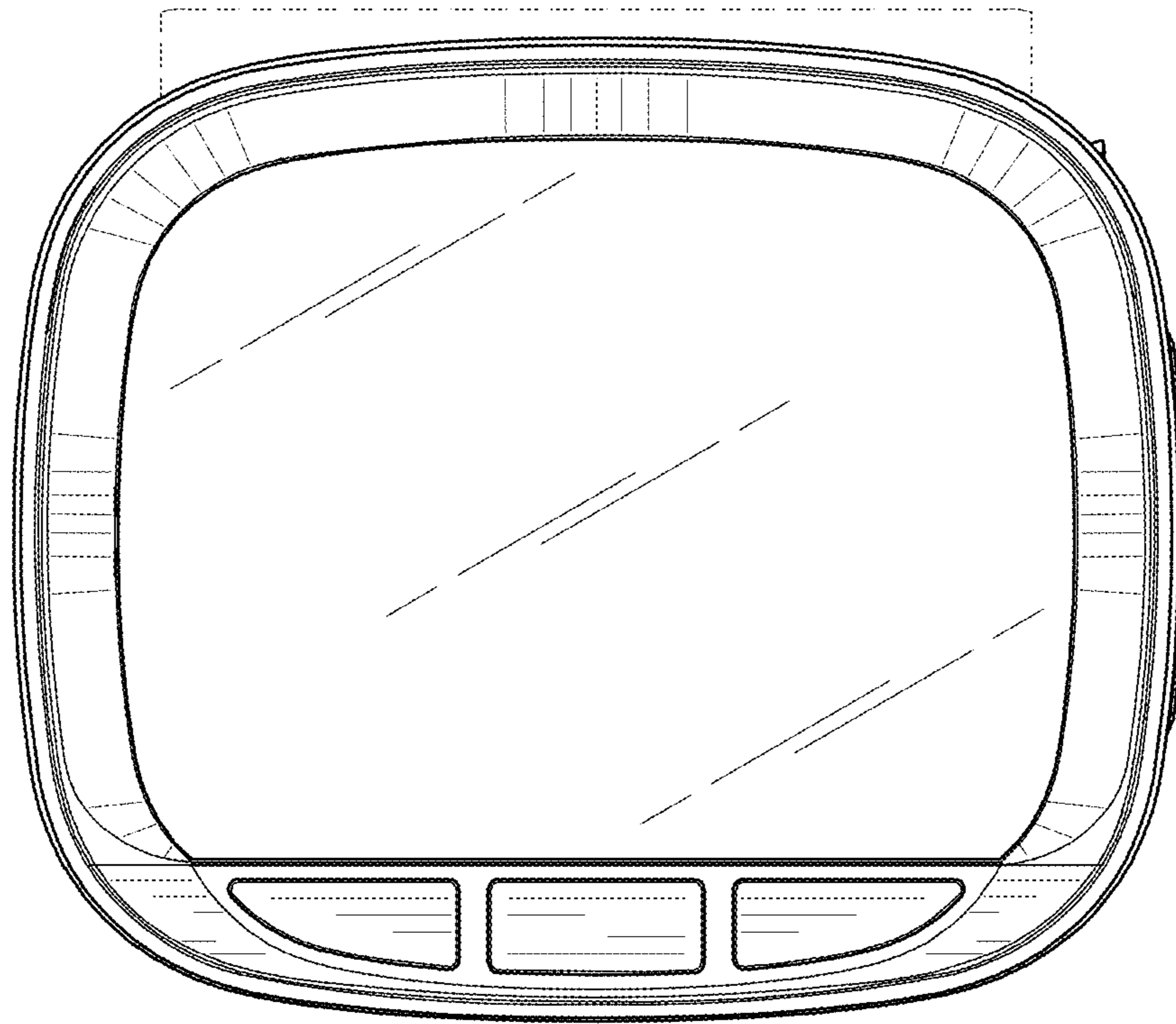


FIG. 6

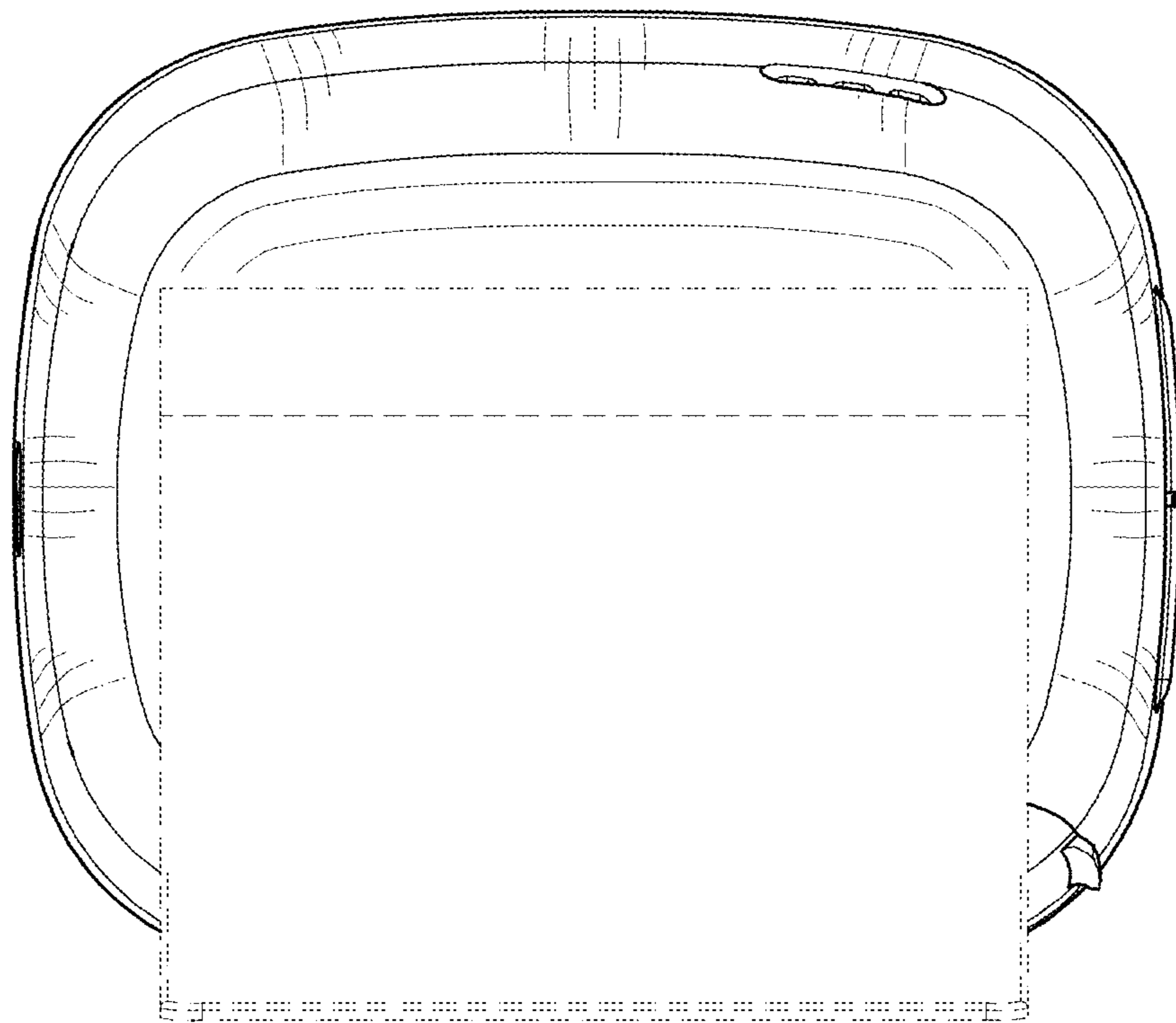


FIG. 7

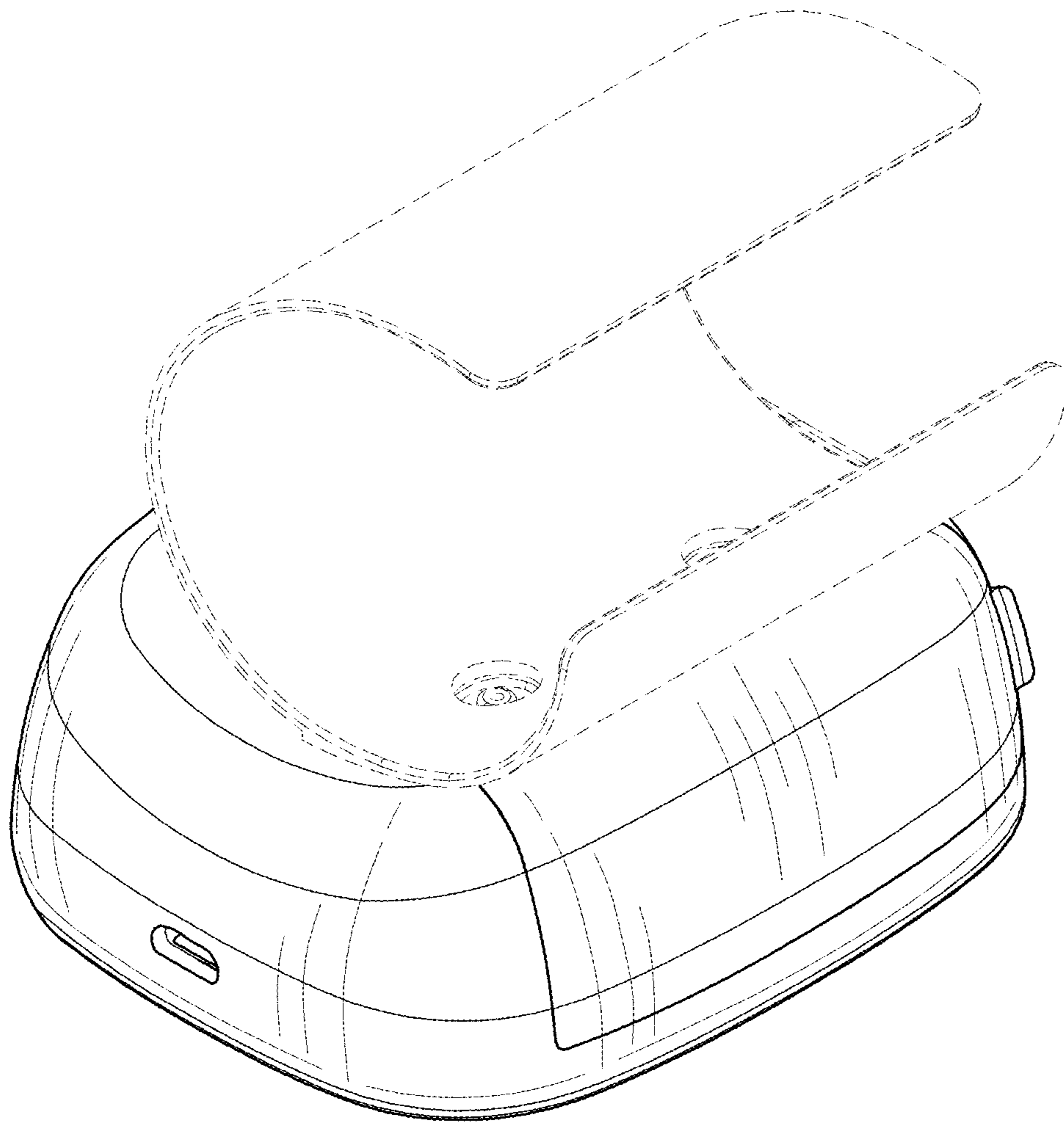


FIG. 8