



US00D889659S

(12) **United States Design Patent** (10) **Patent No.:** **US D889,659 S**
Bath et al. (45) **Date of Patent:** **** Jul. 7, 2020**

(54) **POSITIVE AIRWAY PRESSURE DELIVERY CONSOLE**

(56)

References Cited

U.S. PATENT DOCUMENTS

(71) Applicant: **ResMed Pty Ltd**, Bella Vista, New South Wales (AU)
(72) Inventors: **Andrew Roderick Bath**, Sydney (AU); **Mark Bertinetti**, Sydney (AU); **Clementine Le Loc'h**, Sydney (AU); **Justin John Formica**, Sydney (AU); **Matthew Rolf Harrington**, Gosford (AU); **Barton John Kenyon**, Sydney (AU); **Dimitri Marco Maurer**, Gosford (AU); **Joseph Samuel Ormrod**, Sydney (AU); **Henri Spaile**, Sydney (AU); **Hargopal Verma**, Sydney (AU); **Justin Peter Wagemakers**, Sydney (AU); **Chengwei Zhu**, Sydney (AU)

2,073,335 A	3/1937	Karl	
2,516,864 A	8/1950	Gilmore	
2,524,522 A	10/1950	Gilmore	
2,954,802 A	10/1960	Duff	
3,163,707 A	12/1964	Darling	
D217,550 S	5/1970	Campbell	
D280,765 S	9/1985	Alvino	
D302,040 S	7/1989	Lambert	
D329,288 S	* 9/1992	Miller	D24/164
D360,027 S	7/1995	Pсарos	
D421,298 S	2/2000	Kenyon et al.	
D436,401 S	* 1/2001	Remes	D24/164
D437,056 S	* 1/2001	Remes	D24/164
D439,326 S	3/2001	Hecker	
D473,941 S	4/2003	Cise	
D476,731 S	7/2003	Cise	
D486,909 S	2/2004	Cise	
6,722,904 B2	4/2004	Linhart	
D493,520 S	7/2004	Bertinetti et al.	
D493,884 S	8/2004	Virr et al.	
D528,212 S	* 9/2006	Conway	D24/164
D544,598 S	6/2007	Lithgow et al.	
7,226,302 B2	6/2007	Walter et al.	
7,237,770 B2	7/2007	Lipscombe et al.	
D550,349 S	9/2007	Lithgow et al.	
D560,795 S	1/2008	Lithgow et al.	
D561,890 S	2/2008	Lithgow et al.	
D561,891 S	2/2008	Lithgow et al.	
D570,473 S	6/2008	Hamaguchi et al.	
D578,204 S	10/2008	Lithgow et al.	
D580,060 S	11/2008	Adams	
D585,131 S	1/2009	Trevor-Wilson et al.	
D585,540 S	1/2009	Lithgow et al.	
D590,494 S	4/2009	Lithgow et al.	
D602,585 S	10/2009	Blackwell et al.	
D604,830 S	11/2009	Lithgow et al.	
D606,655 S	* 12/2009	Wilkinson	D24/164
D611,593 S	3/2010	Lithgow et al.	
D612,480 S	3/2010	Cork et al.	
D614,286 S	4/2010	Lithgow et al.	
D621,031 S	8/2010	Lithgow et al.	
D627,044 S	11/2010	Virr et al.	
D628,288 S	11/2010	Row et al.	
D629,891 S	12/2010	Virr et al.	
D629,892 S	12/2010	Hill et al.	
D635,244 S	3/2011	Virr et al.	
D635,245 S	3/2011	Virr et al.	
D635,654 S	4/2011	Virr et al.	
D638,432 S	5/2011	Flik	

(73) Assignee: **RedMed Pty Ltd**, Bella Vista (AU)

(**) Term: **15 Years**

(21) Appl. No.: **29/582,771**

(22) Filed: **Oct. 31, 2016**

Related U.S. Application Data

(62) Division of application No. 29/523,902, filed on Apr. 15, 2015, now Pat. No. Des. 775,346, which is a division of application No. 29/482,519, filed on Feb. 19, 2014, now Pat. No. Des. 743,556.

(51) **LOC (12) Cl.** **24-02**

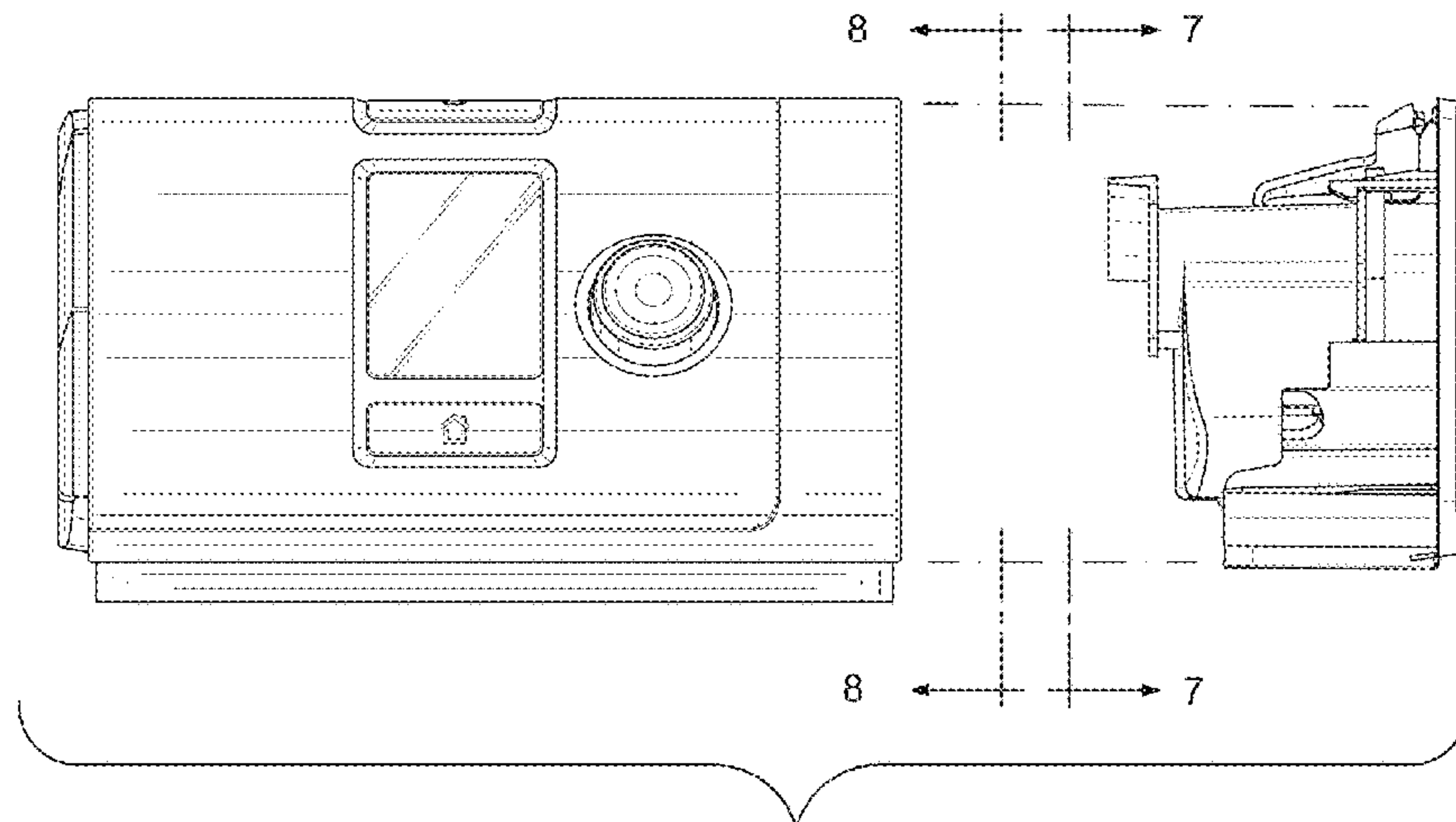
(52) **U.S. Cl.**
USPC **D24/164**

(58) **Field of Classification Search**

USPC D24/164, 110, 108; 128/203.26, 203.27, 128/204.25, 202.22, 203.14; 604/131

CPC A61M 16/0066; A61M 16/1075; A61M 16/0816; A61B 5/0836

See application file for complete search history.



US D889,659 S

Page 2

D638,536 S	5/2011	Row et al.		D809,130 S *	1/2018	Yang	D24/110
D638,537 S	5/2011	Virr et al.		D810,299 S *	2/2018	Milligan	D24/164
D638,933 S	5/2011	Hill et al.		D822,210 S *	7/2018	Milligan	D24/164
D643,114 S	8/2011	Virr et al.		D827,829 S *	9/2018	Meng	D24/164
D644,731 S	9/2011	Fangrow, Jr.		D837,968 S *	1/2019	Formica	D24/108
D650,479 S	12/2011	Row et al.		2006/0106345 A1 *	5/2006	Flaker	A61B 5/0836 604/131
D652,916 S	1/2012	Row et al.		2007/0169776 A1	7/2007	Kepler et al.	
D652,917 S	1/2012	Hill et al.		2007/0277828 A1	12/2007	Ho	
8,100,127 B2	1/2012	Worley		2009/0025724 A1	1/2009	Herron, Jr.	
D655,813 S	3/2012	Row et al.		2009/0123886 A1	5/2009	Vaska	
D658,283 S	4/2012	Burz et al.		2009/0223514 A1 *	9/2009	Smith	A61M 16/1075 128/203.14
D659,235 S	5/2012	Bertinetti et al.		2010/0116272 A1	5/2010	Row et al.	
D665,412 S	8/2012	Rai		2010/0307502 A1	12/2010	Rummery	
D671,209 S	11/2012	Row et al.		2011/0017212 A1	1/2011	Kenyon et al.	
D677,789 S	3/2013	Row et al.		2011/0023874 A1	2/2011	Bath	
D680,125 S	4/2013	Chaudhri		2011/0100363 A1	5/2011	Barclay et al.	
D682,441 S	5/2013	Kim		2011/0155132 A1 *	6/2011	Virr	A61M 16/0816 128/203.26
8,631,789 B2	1/2014	Virr et al.		2011/0180068 A1	7/2011	Kenyon et al.	
D699,356 S *	2/2014	Patil	D24/164	2012/0227738 A1	9/2012	Virr	
D702,353 S	4/2014	Fujimoto et al.		2012/0285454 A1	11/2012	Nibu et al.	
D703,311 S	4/2014	Daly		2013/0008440 A1	1/2013	Maurer et al.	
D707,334 S	6/2014	Hernandez		2013/0011823 A1	1/2013	Hassanein et al.	
D707,338 S	6/2014	Ediger et al.		2013/0206140 A1	8/2013	Kepler et al.	
D708,316 S	7/2014	Bertinetti et al.		2013/0239961 A1	9/2013	Ross et al.	
D710,989 S	8/2014	Bertinetti et al.		2013/0263854 A1	10/2013	Taylor et al.	
D716,419 S	10/2014	Hernandez		2013/0280055 A1	10/2013	Daly et al.	
D716,452 S	10/2014	Hutchison		2014/0130802 A1	5/2014	Virr et al.	
D719,248 S	12/2014	Smith, Jr. et al.		2014/0202460 A1 *	7/2014	Bath	A61M 16/0066 128/202.22
8,905,031 B2	12/2014	Barlow		2014/0208241 A1	7/2014	Charles	
D725,134 S	3/2015	Boettcher		2014/0216459 A1	8/2014	Vos et al.	
D727,511 S *	4/2015	Dehmke	D24/164	2014/0246025 A1	9/2014	Cragg et al.	
D729,936 S *	5/2015	Reback	D24/164	2015/0283350 A1	10/2015	Miller	
D730,525 S *	5/2015	Acker	D24/164	2015/0306326 A1	10/2015	Graham	
D731,538 S	6/2015	Lee		2015/0306332 A1	10/2015	Bafle	
D733,733 S	7/2015	Bae		2015/0335851 A1 *	11/2015	Cullen	A61M 16/0066 128/204.25
D733,887 S *	7/2015	Blomquist	D24/164	2015/0359989 A1 *	12/2015	Potharaju	A61M 16/1075 128/203.27
D734,356 S	7/2015	Xiong					
D735,865 S	8/2015	Nishimura					
D736,248 S	8/2015	Chen					
D736,371 S	8/2015	Row					
D736,818 S	8/2015	Trabona					
D738,488 S	9/2015	Formica et al.					
D738,489 S	9/2015	Formica et al.					
D738,894 S	9/2015	Kim					
D739,864 S	9/2015	Kang					
D741,477 S	10/2015	Rogers					
D741,894 S	10/2015	Drozd					
D741,912 S	10/2015	Gomez					
D742,013 S *	10/2015	Helgeson	D24/164				
D742,508 S	11/2015	Row					
D743,556 S *	11/2015	Bath	D24/164				
D743,976 S	11/2015	Wilberding					
D744,108 S *	11/2015	Verma	D24/164				
D744,501 S	12/2015	Wilberding					
D744,520 S	12/2015	Mclaughlin					
D745,016 S	12/2015	Lee					
D745,528 S	12/2015	Lee					
D745,542 S	12/2015	Kim					
D745,880 S	12/2015	Lima					
D745,883 S	12/2015	Anderson					
D746,294 S	12/2015	Jung					
D746,311 S	12/2015	Ta					
D746,320 S	12/2015	Shardlow					
D746,831 S	1/2016	Chaudhri					
D746,850 S	1/2016	Steplyk					
D746,855 S	1/2016	Choi					
D746,858 S	1/2016	Vogt					
D746,864 S	1/2016	Dellinger					
D756,519 S *	5/2016	Adams	D24/164				
D757,927 S	5/2016	Lubke					
D760,258 S	6/2016	Bertinetti					
9,402,970 B2	8/2016	Virr					
D771,799 S	11/2016	Formica					
D775,346 S *	12/2016	Bath	D24/164				
D776,256 S *	1/2017	Formica	D24/110				
D791,329 S *	7/2017	Verma	D24/164				
D798,428 S	9/2017	Cork					
D809,124 S *	1/2018	Bertinetti	D24/110				
D809,129 S *	1/2018	Yang	D24/110				

FOREIGN PATENT DOCUMENTS

EM	001312953-0001	3/2012
EM	001312953-0002	3/2012
EM	001312953-0003	3/2012
EM	001312953-0004	3/2012
EM	001312953-0005	3/2012
EP	2 703 034 A2	8/2013
WO	WO 2011/056080 A1	5/2011
WO	WO 2012/160477 A1	11/2012

OTHER PUBLICATIONS

ResMed S9™ Series, No Other Sleep Therapy System Delivers, 2010 (12 pages).

Philips Respironics, System One Sleep Therapy System, May 2012 (2 pages).

Fisher & Paykel Healthcare, Icon Brochure, 2010 (2 pages).

Fisher & Paykel Healthcare, Icon User Manual, Jan. 2010 (214 pages).

U.S. Appl. No. 29/482,519, filed Feb. 2014, Bath et al.

U.S. Appl. No. 29/480,971, filed Jan. 2014, Desvoyes et al.

U.S. Appl. No. 29/502,152, filed Sep. 2014, Bertinetti et al.

U.S. Appl. No. 29/482,541, filed Feb. 2014, Verma et al.

U.S. Appl. No. 29/485,313, filed Mar. 2014, Formica et al.

U.S. Appl. No. 29/492,344, filed May 2014, Bertinetti et al.

Office Action dated Dec. 4, 2014 in U.S. Appl. No. 29/456,477 (9 pages).

Office Action dated Dec. 3, 2014 in U.S. Appl. No. 29/456,458 (7 pages).

Bath et al., U.S. Appl. No. 29/523,902, filed Apr. 15, 2015.

U.S. Appl. No. 61/838,971, filed Jun. 2013, Huby et al.

U.S. Appl. No. 61/987,245, filed May 2014, Foote et al.

U.S. Appl. No. 29/456,458, filed May 2013, Formica et al.
U.S. Appl. No. 29/456,477, filed May 2013, Formica et al.

* cited by examiner

Primary Examiner — Rhea Shields
(74) *Attorney, Agent, or Firm* — Nixon & Vanderhye P.C.

(57) **CLAIM**

The ornamental design for a positive airway pressure delivery console, as shown and described.

DESCRIPTION

FIG. 1 is an exploded front view of a positive airway pressure delivery console showing a first embodiment according to our new ornamental design;

FIG. 2 is a rear view thereof;

FIG. 3 is a top view thereof;

FIG. 4 is a bottom view thereof;

FIG. 5 is a right side view thereof;

FIG. 6 is a left side view thereof;

FIG. 7 is a sectional view along line 7-7 of FIG. 1;

FIG. 8 is a sectional view along line 8-8 of FIG. 2;

FIG. 9 is an exploded front view of a positive airway pressure delivery console showing a second embodiment according to our new ornamental design;

FIG. 10 is a rear view thereof;

FIG. 11 is a top view thereof;

FIG. 12 is a bottom view thereof;

FIG. 13 is a right side view thereof;

FIG. 14 is a left side view thereof;

FIG. 15 is a sectional view along line 15-15 of FIG. 9; and,

FIG. 16 is a sectional view along line 16-16 of FIG. 10.

The broken lines represent environment or structure and do not form a portion of the claimed design.

One or more views (e.g., the bottom view) may be omitted and therefore does not form a part of the claimed design.

1 Claim, 12 Drawing Sheets

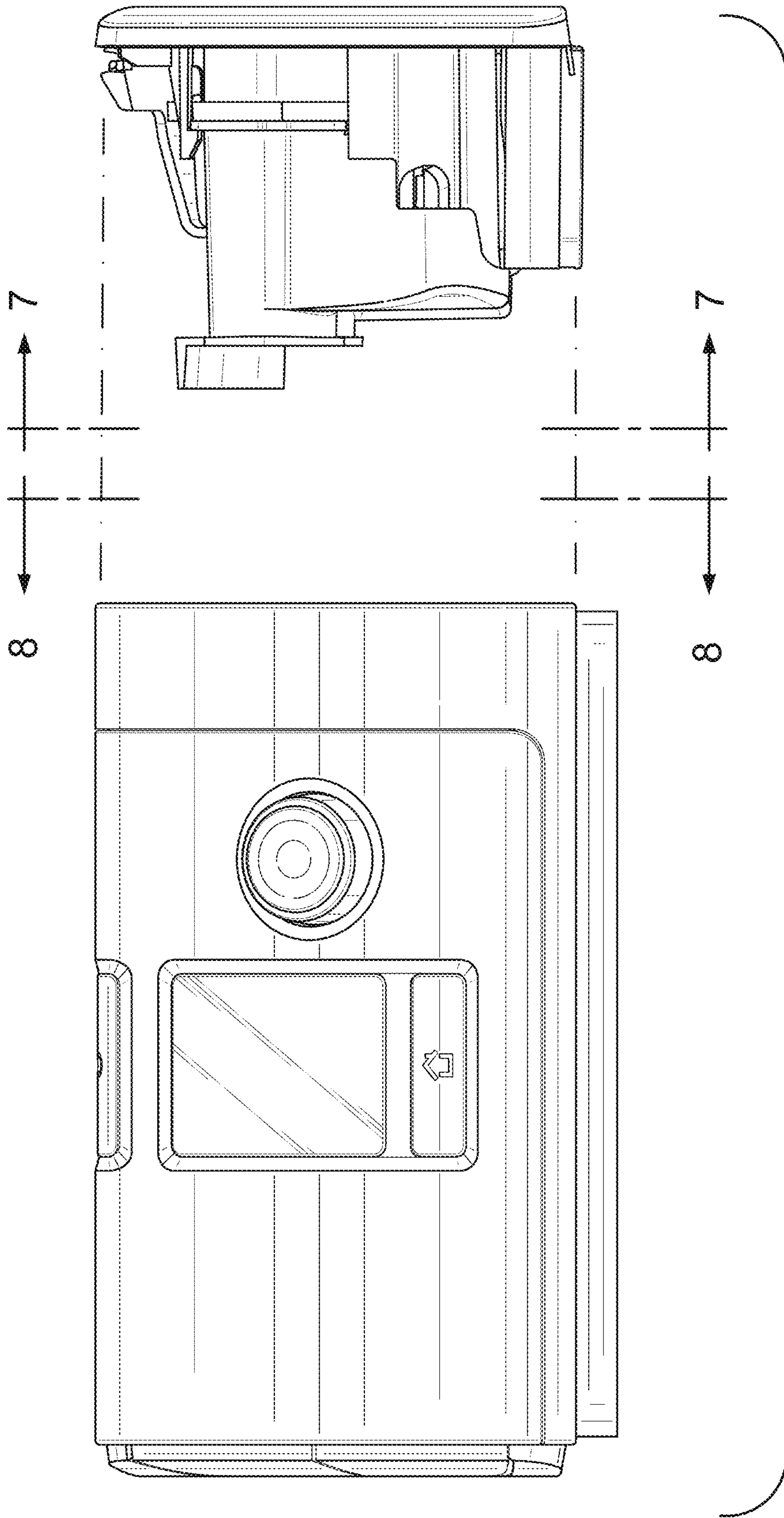


FIG. 1

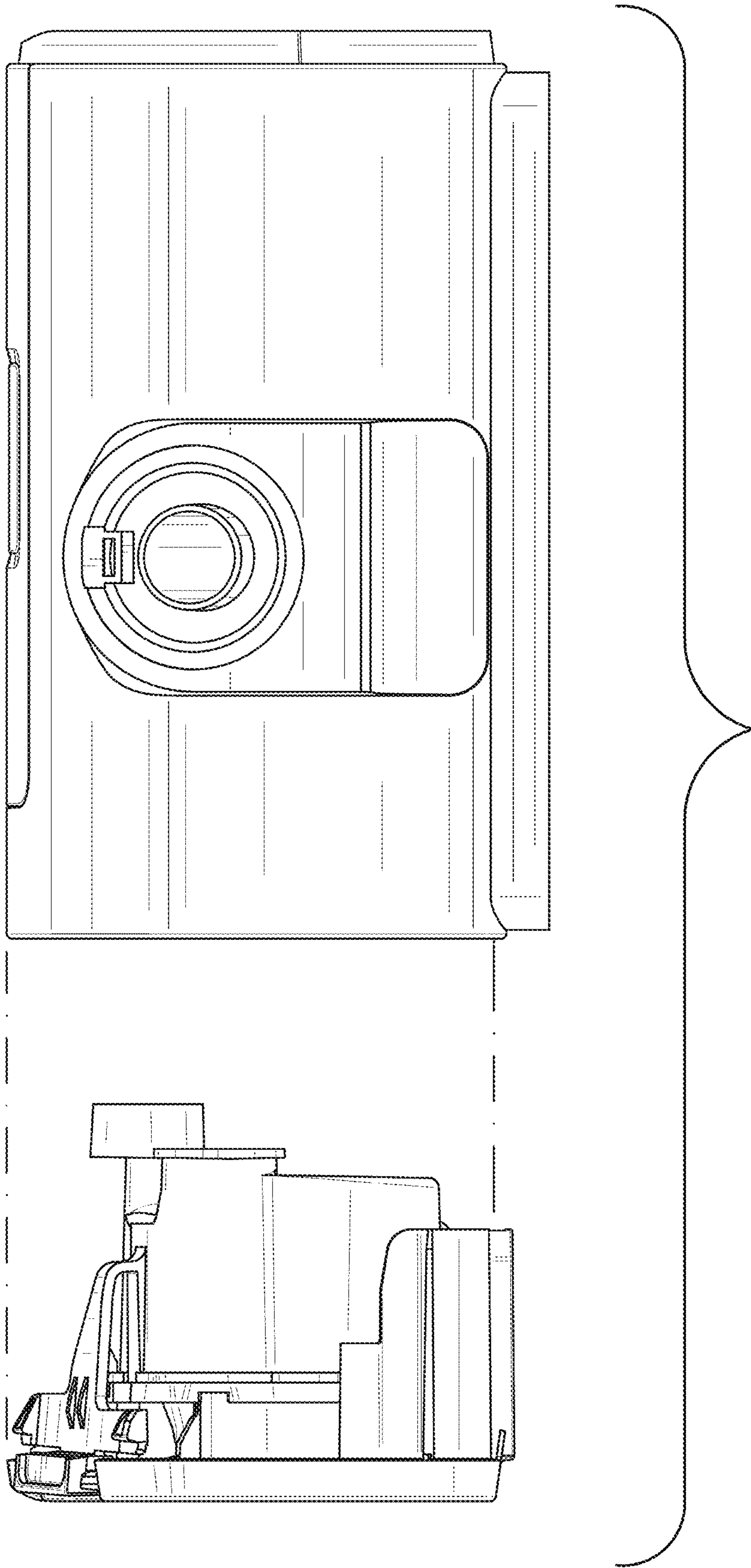


FIG. 2

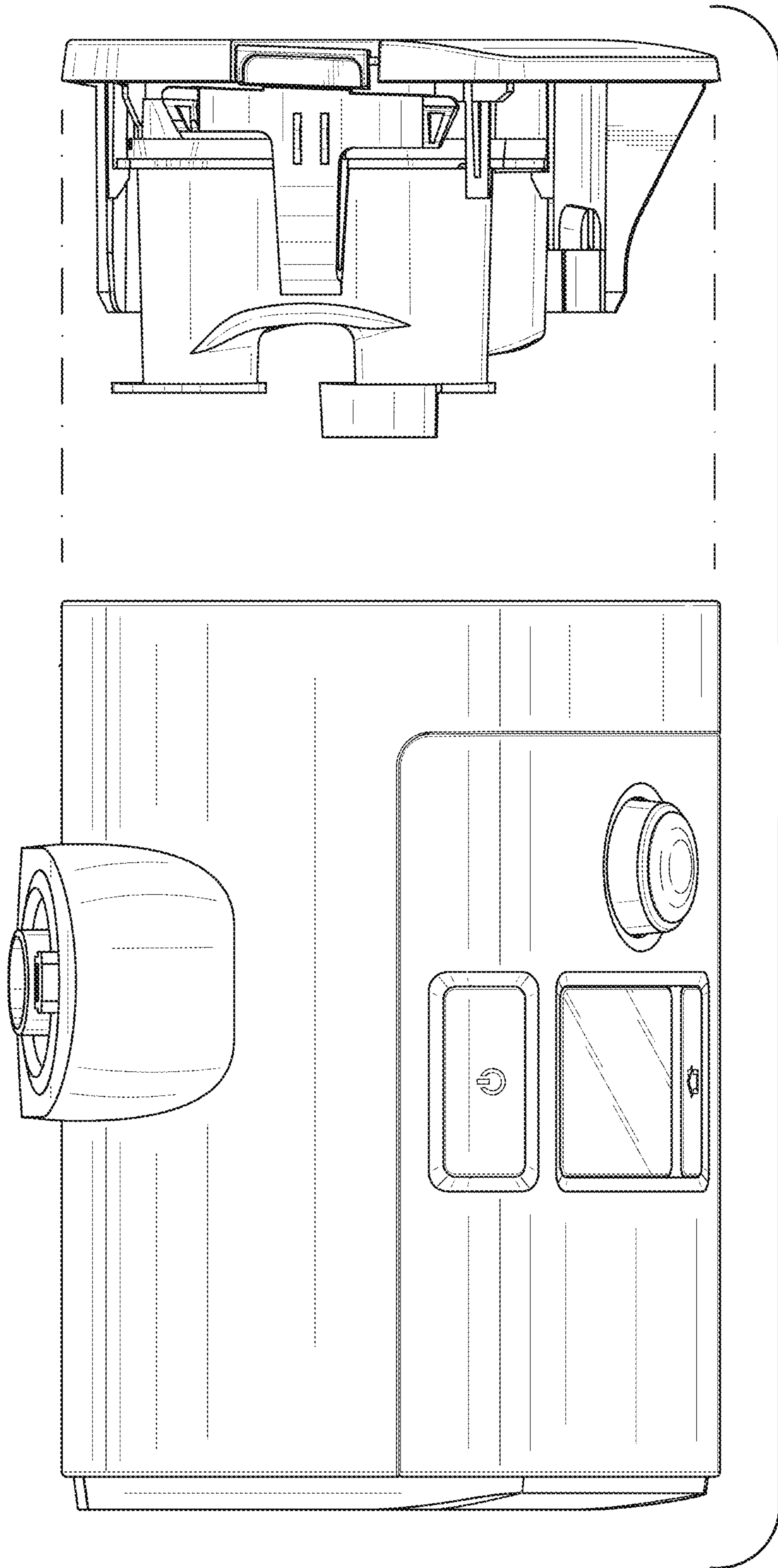


FIG. 3

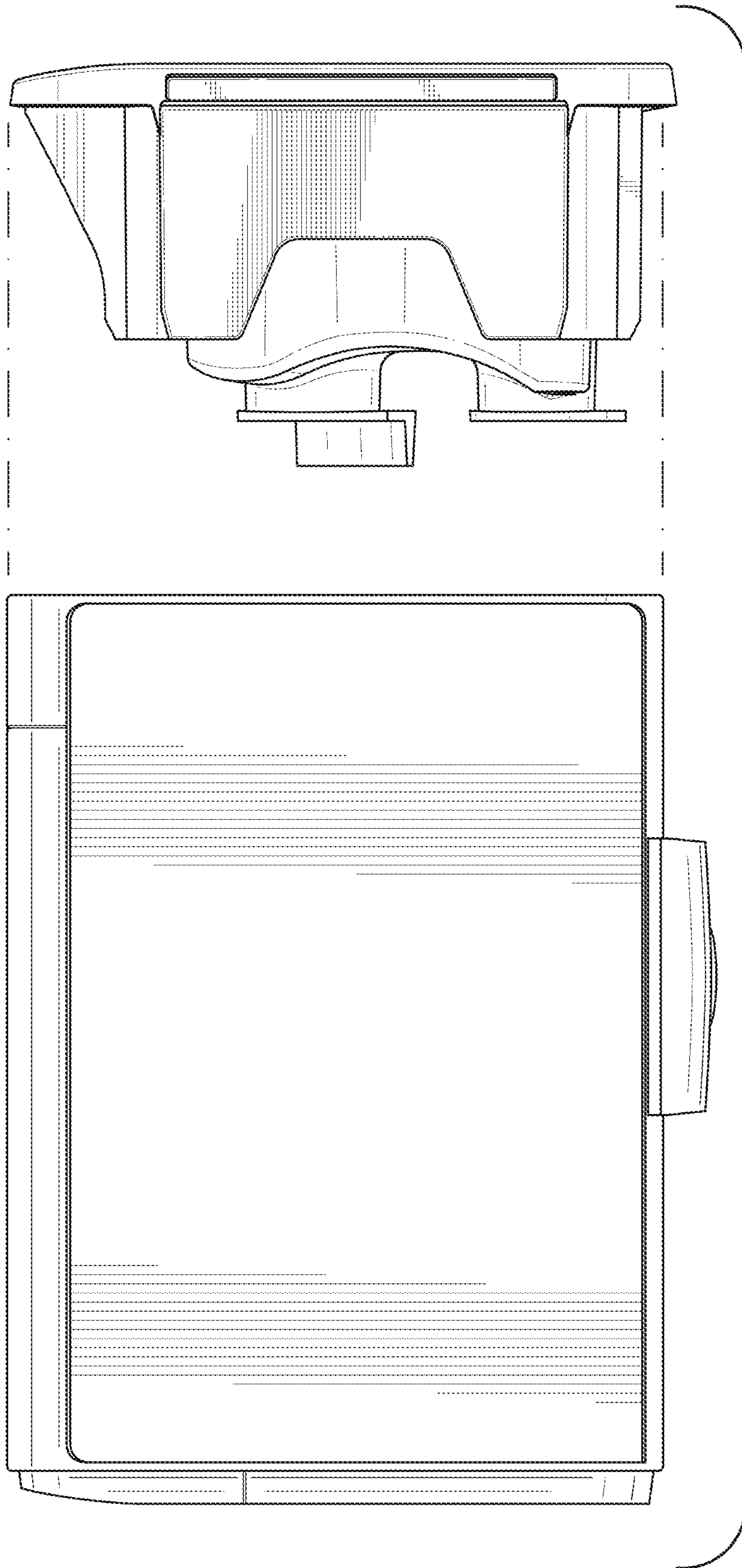


FIG. 4

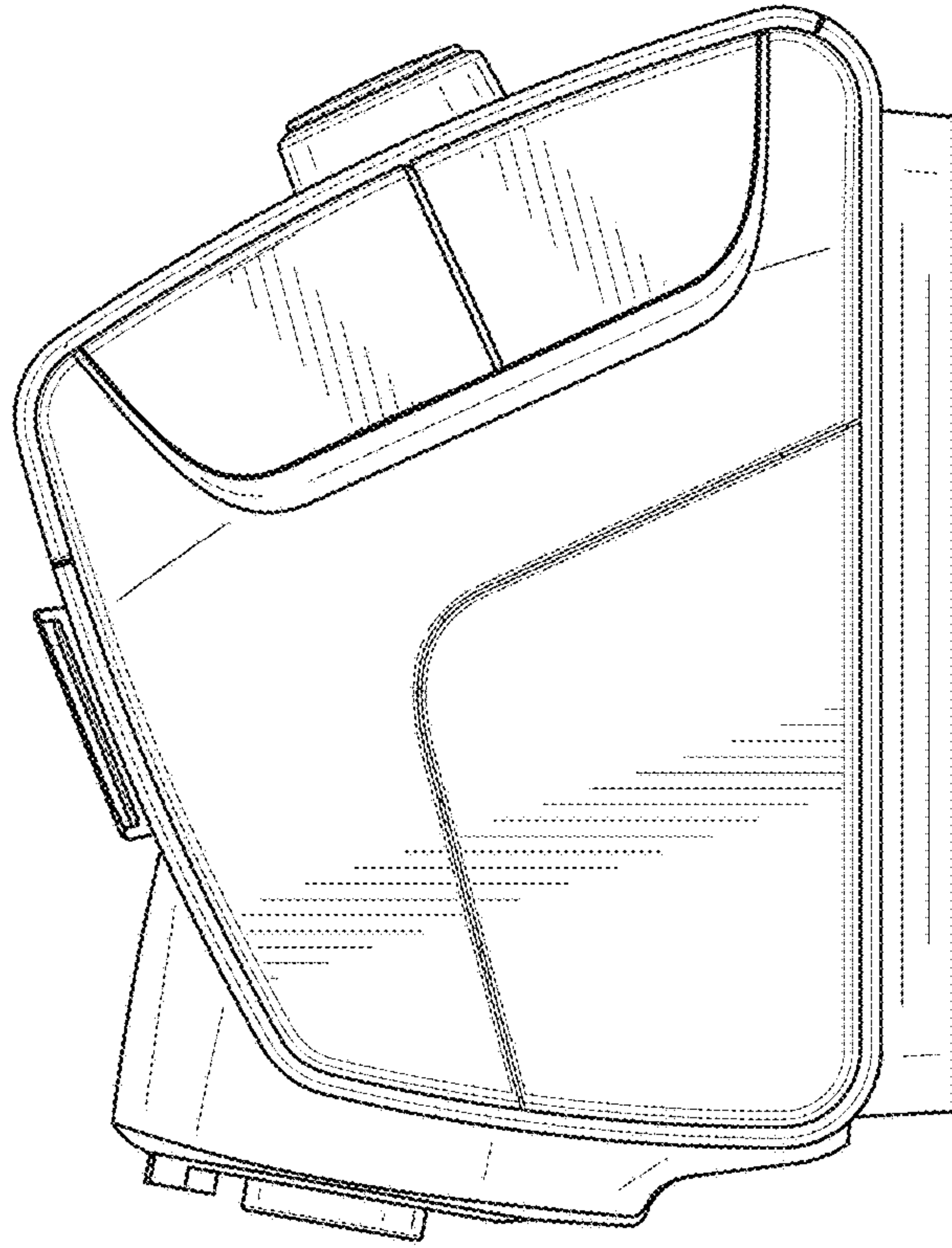


FIG. 6

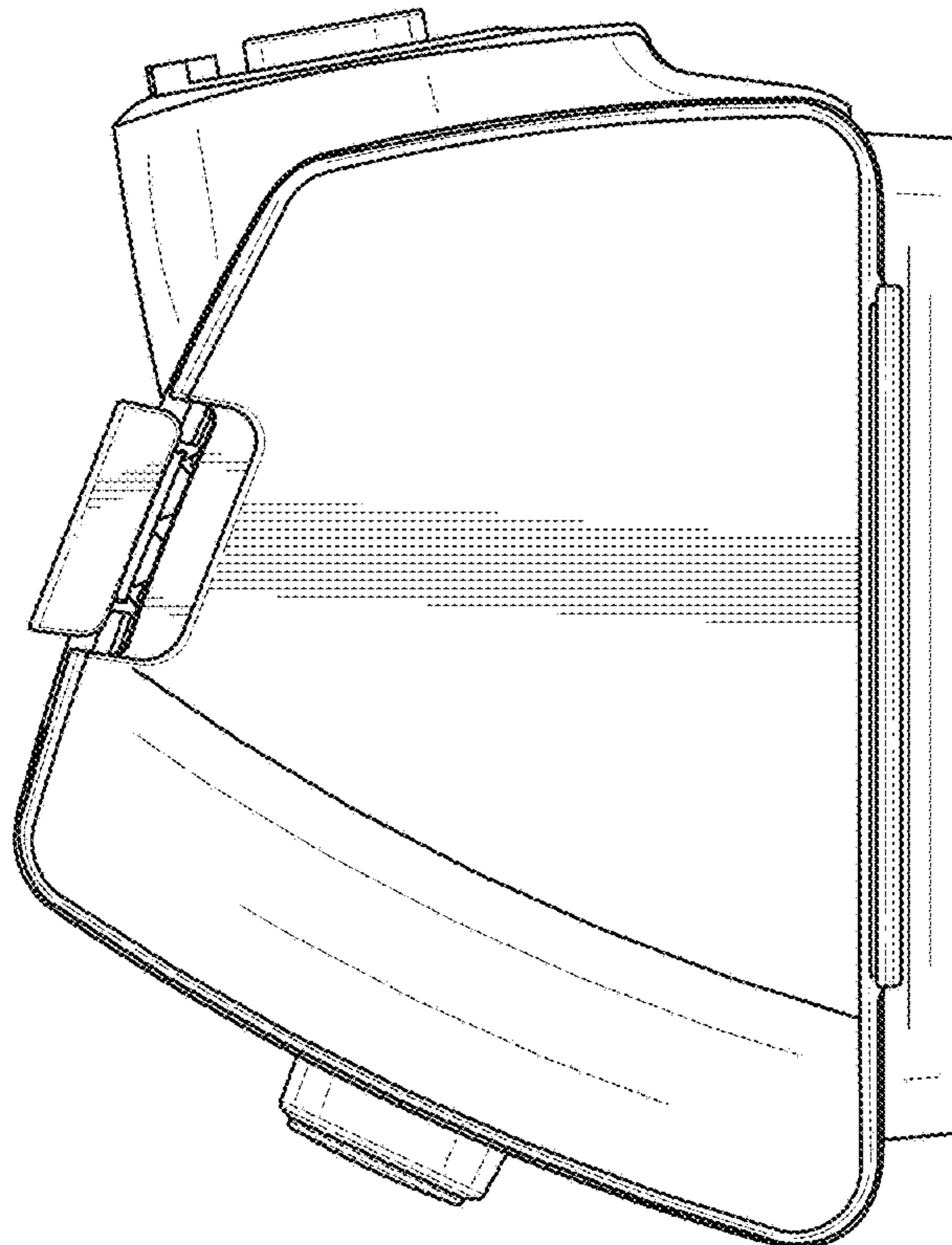


FIG. 5

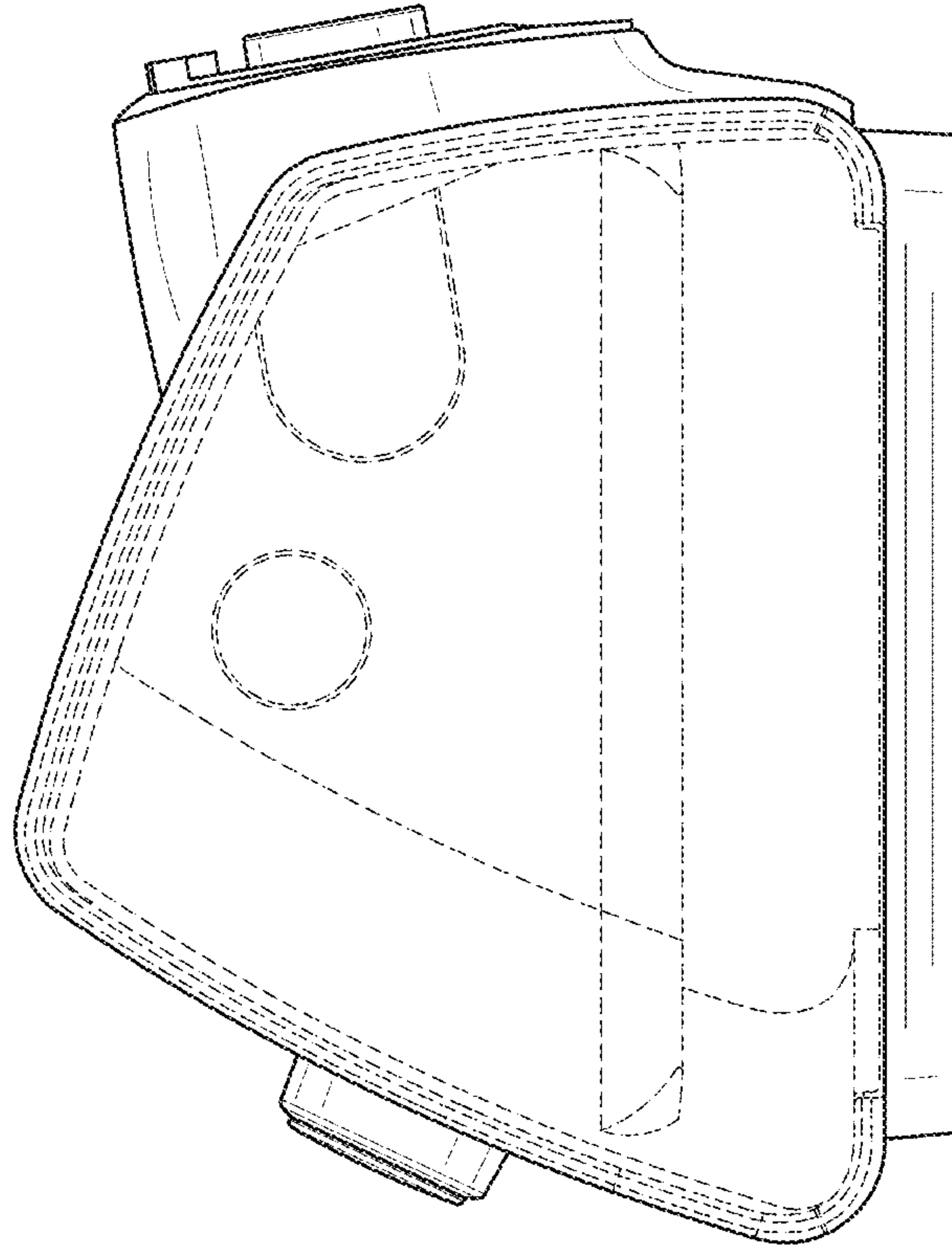


FIG. 8

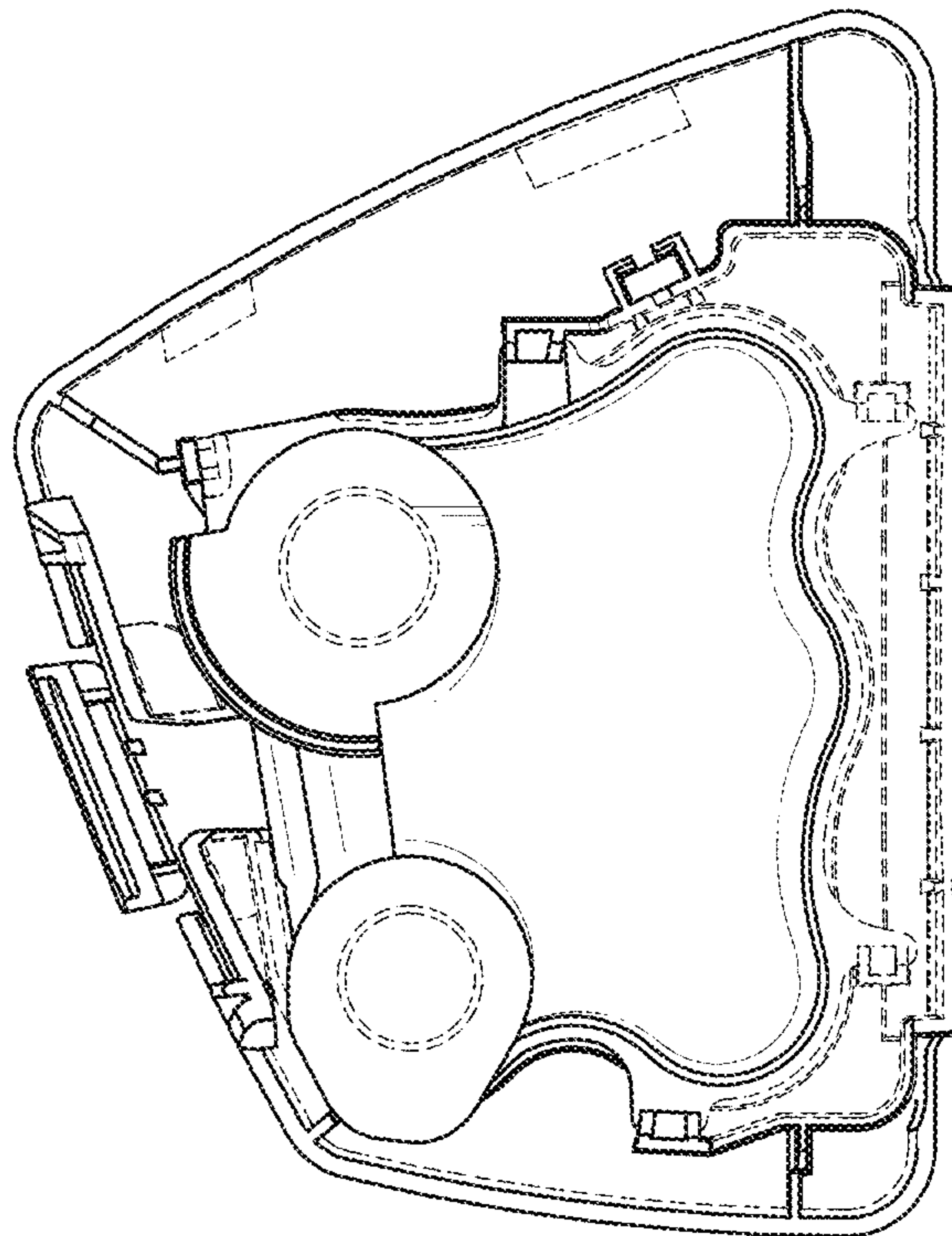


FIG. 7

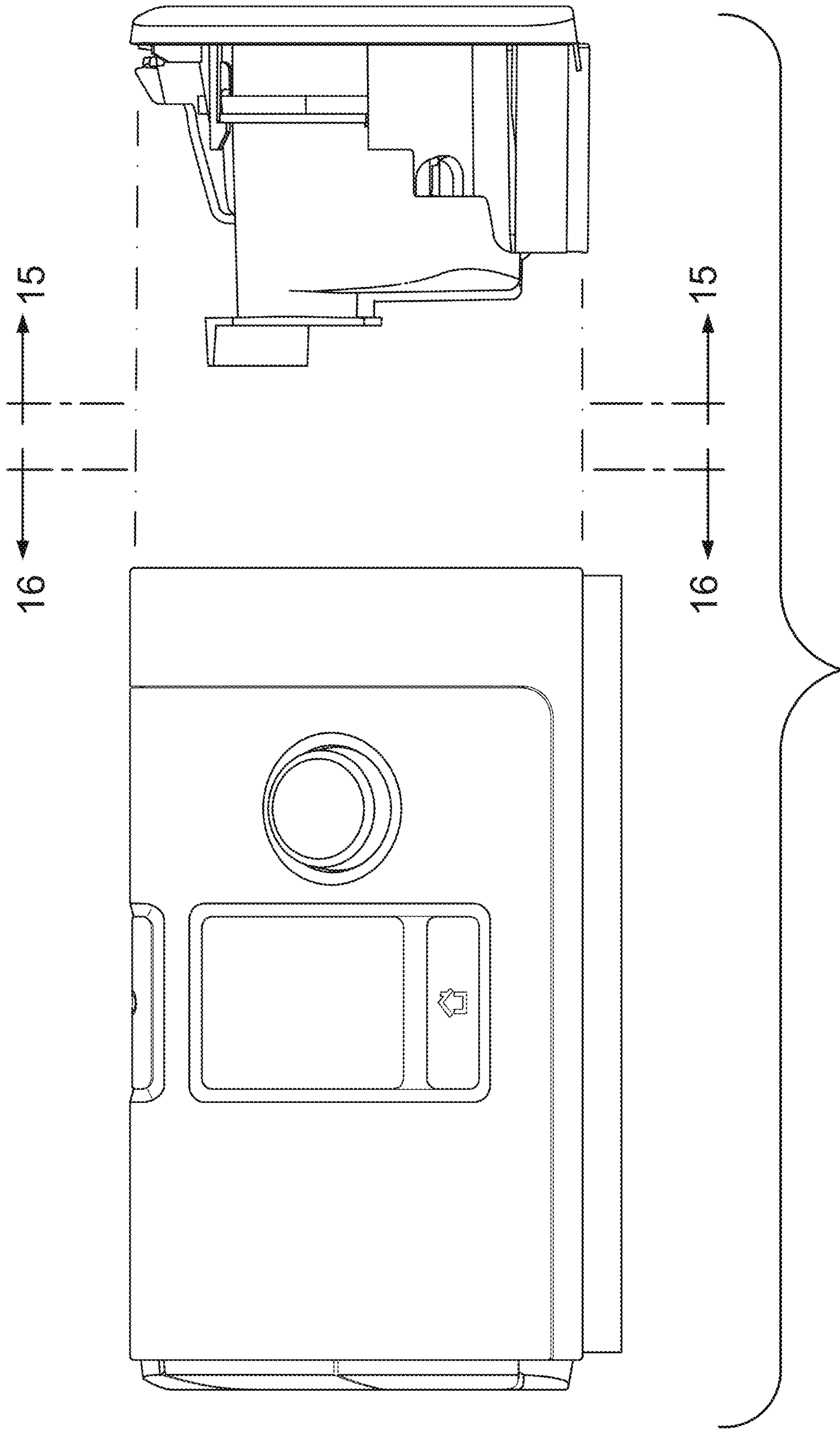


FIG. 9

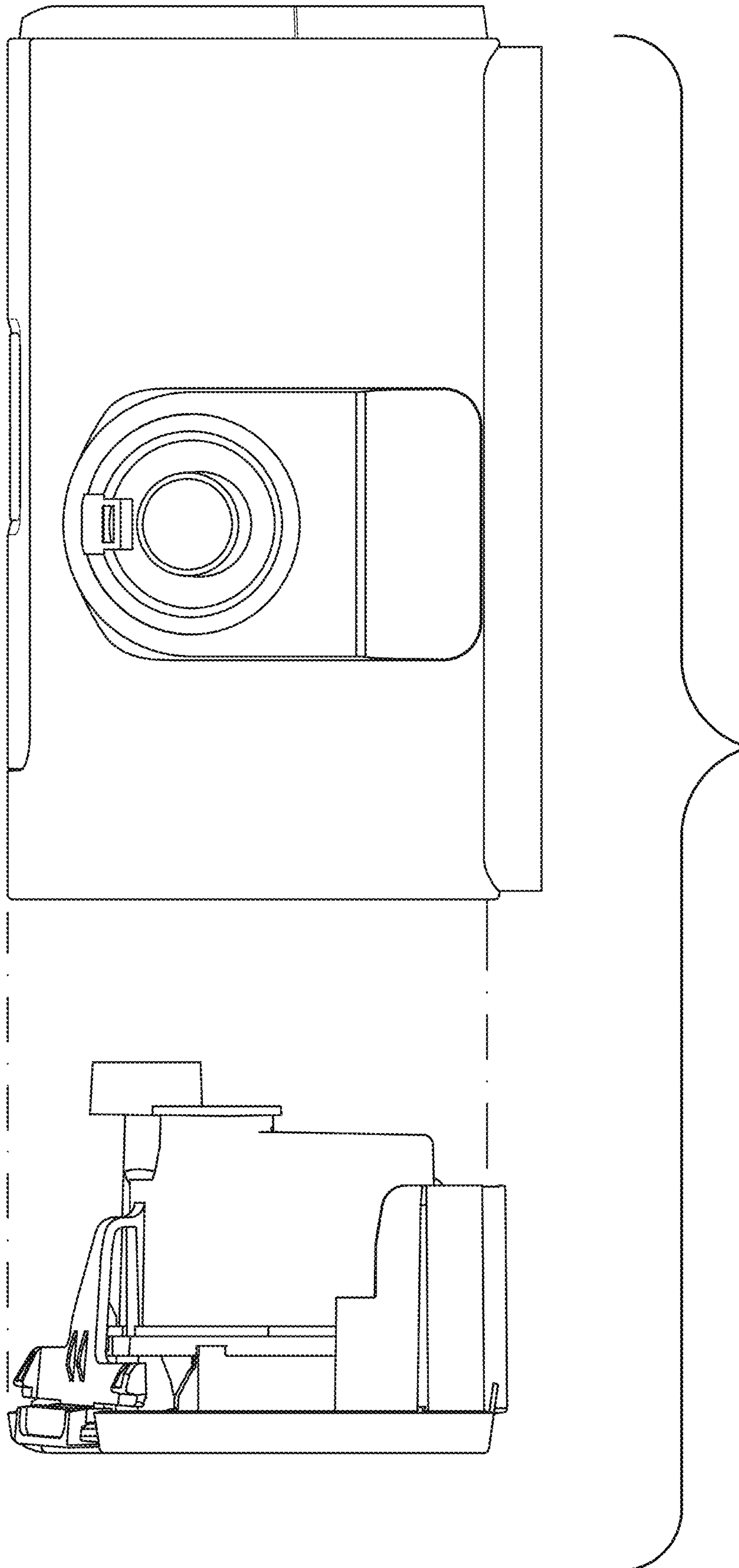


FIG. 10

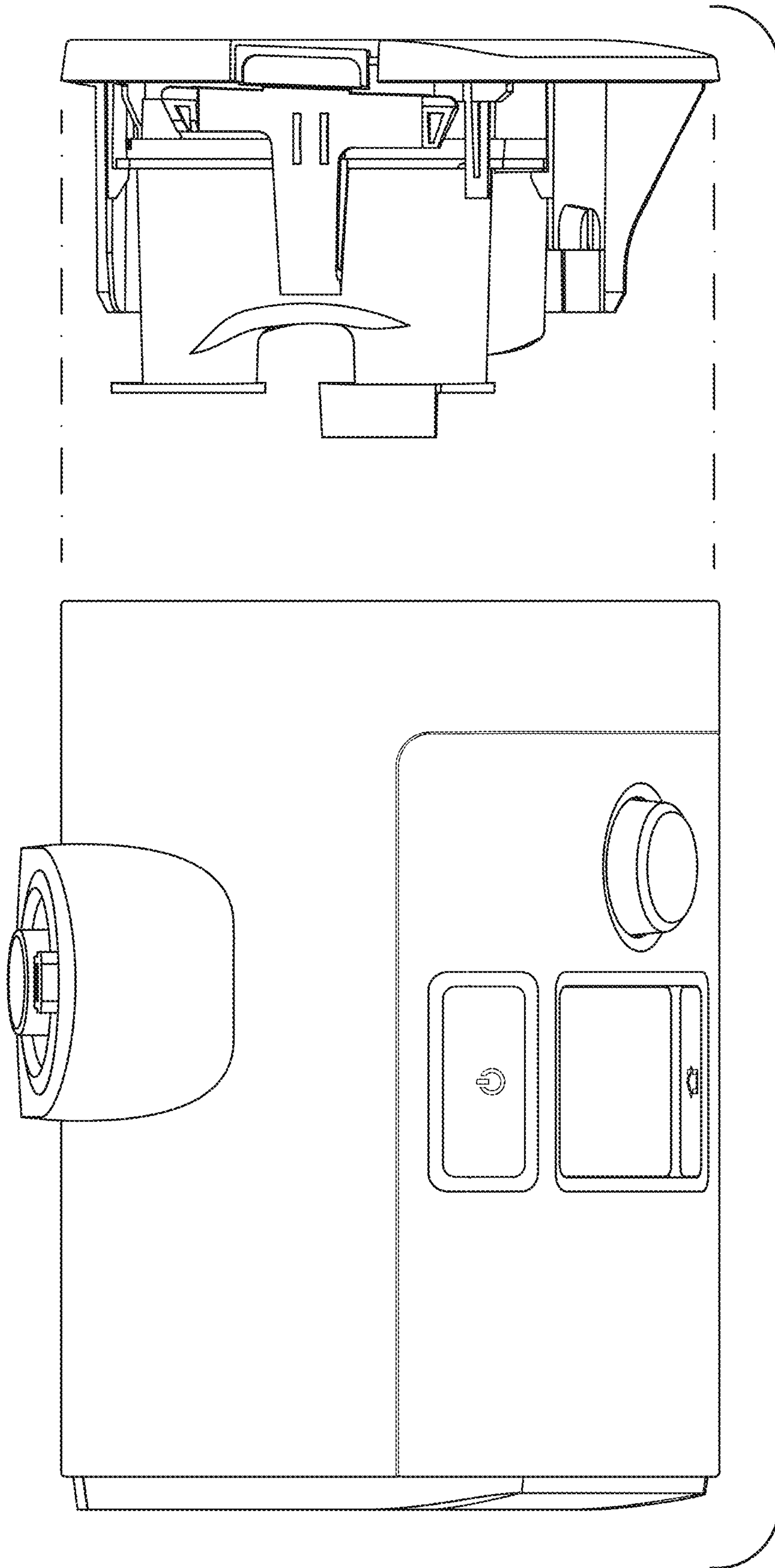


FIG. 11

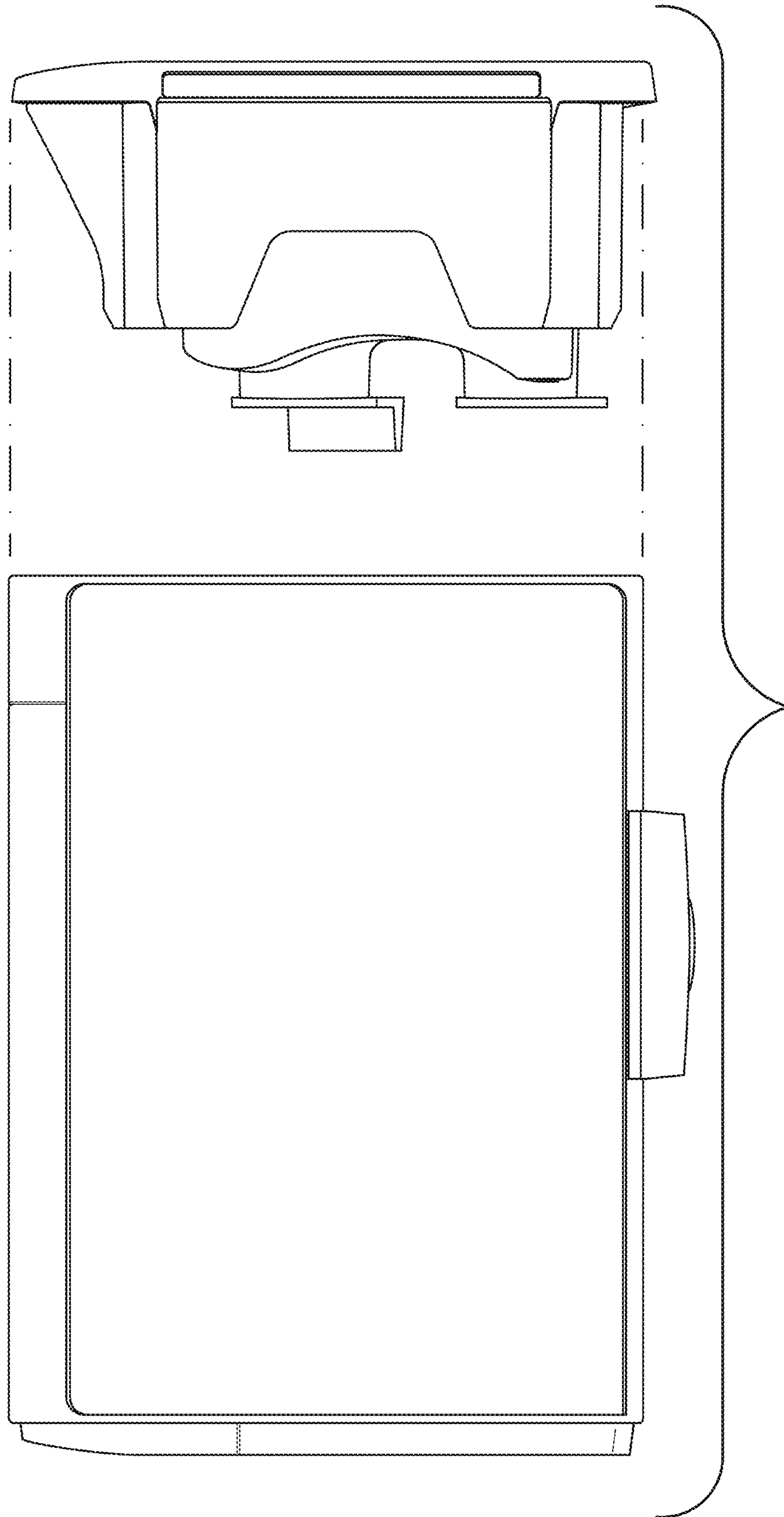


FIG. 12

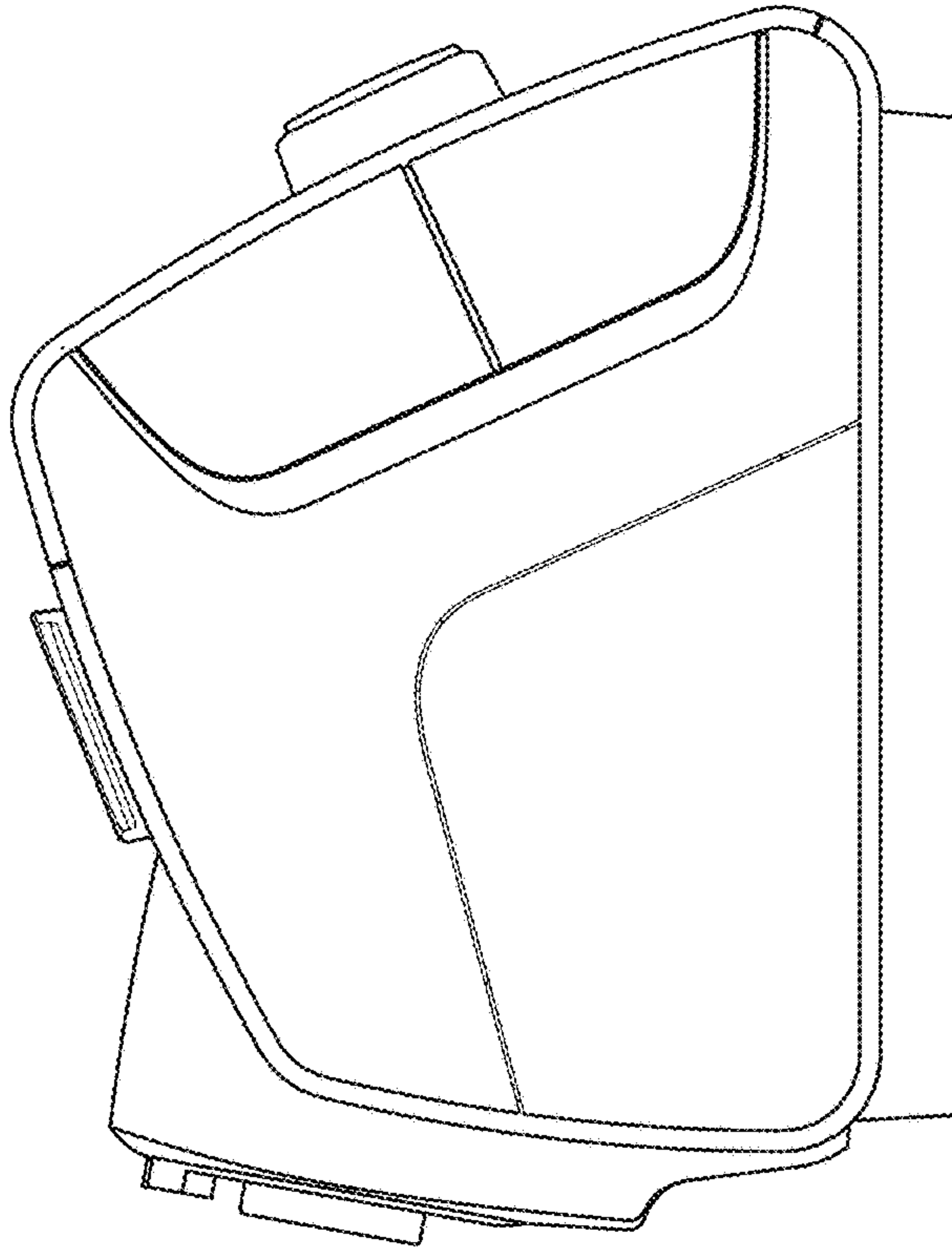


FIG. 14

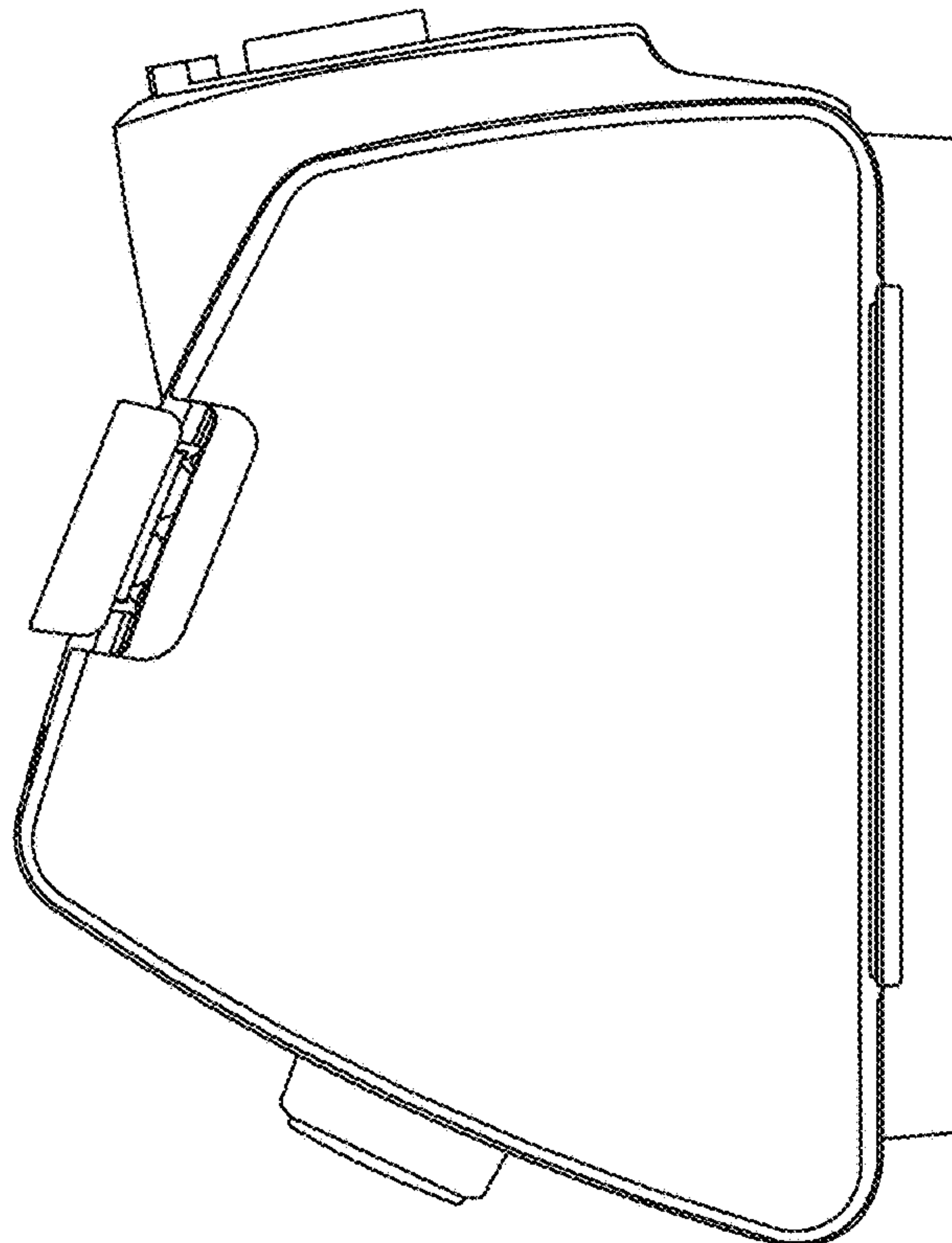


FIG. 13

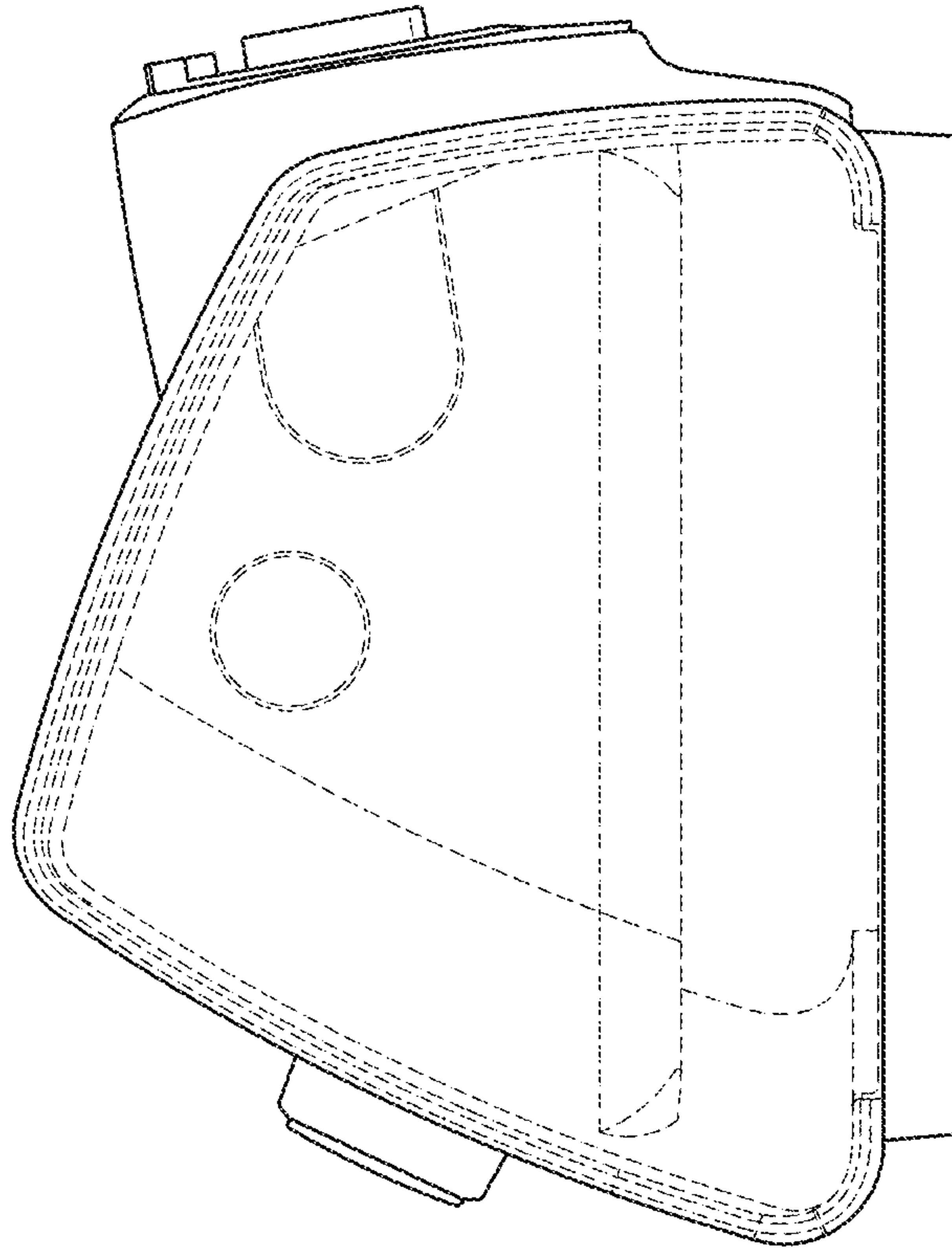


FIG. 16

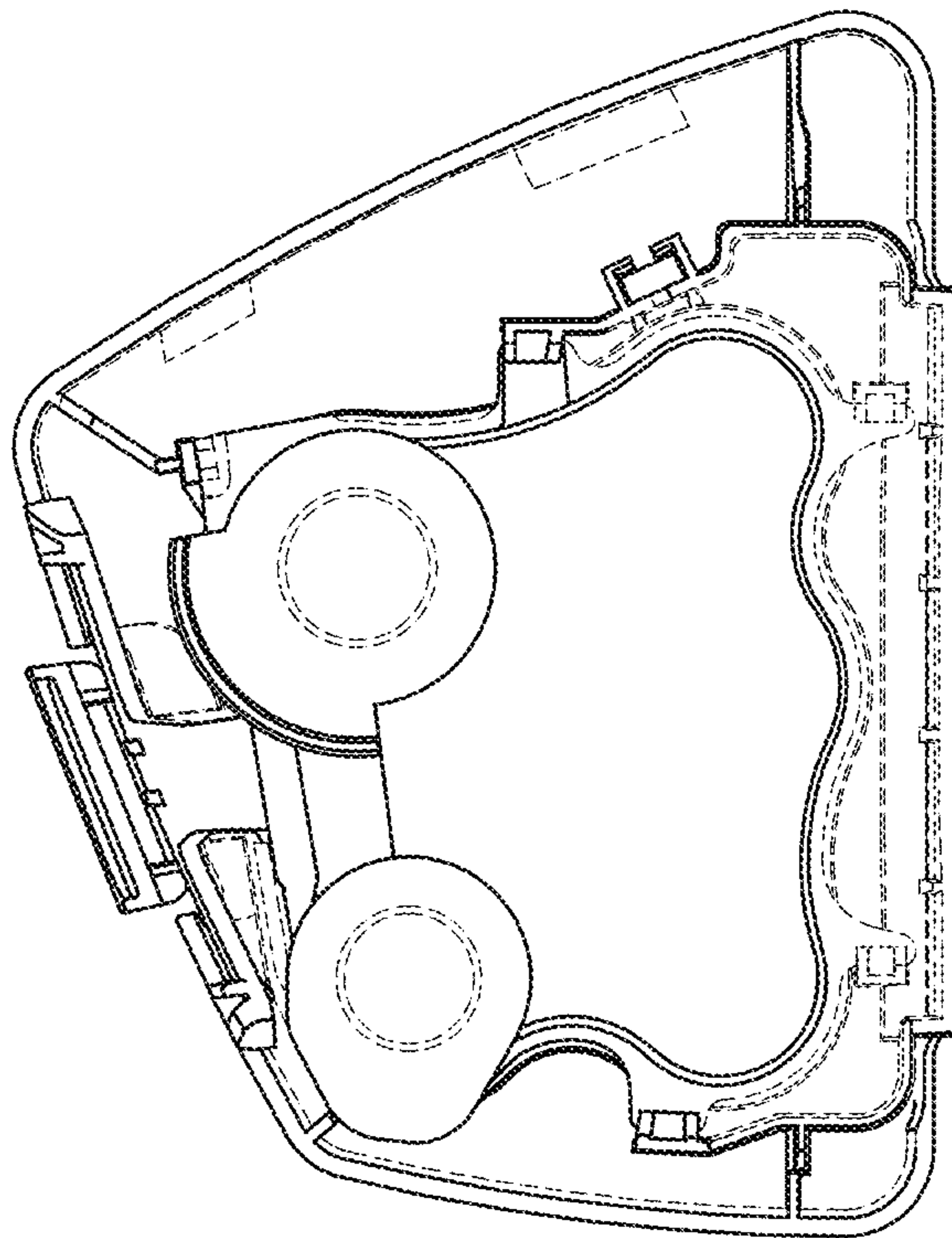


FIG. 15